



US00D897052S

(12) **United States Design Patent**
Ruetenik

(10) **Patent No.:** **US D897,052 S**

(45) **Date of Patent:** **** Sep. 22, 2020**

(54) **EQUINE SHOE**

(71) Applicant: **Monty L. Ruetenik**, Clear Lake Shores, TX (US)

(72) Inventor: **Monty L. Ruetenik**, Clear Lake Shores, TX (US)

(**) Term: **15 Years**

(21) Appl. No.: **29/677,381**

(22) Filed: **Jan. 18, 2019**

(51) **LOC (12) Cl.** **30-01**

(52) **U.S. Cl.**

USPC **D30/146; D30/147**

(58) **Field of Classification Search**

USPC D30/102, 108, 113, 114, 118, 119, 120, D30/144-154, 199; D3/215, 216, 221, D3/226, 231, 233, 327, 218; D29/101.1, D29/101.3, 101.5, 103, 104, 109, 122; D24/190-192, 199, 186

CPC A01K 1/00; A01K 1/02; A01K 1/0088; A01K 13/007; A01K 13/006; A01K 13/00; A01K 27/00; A01K 27/001; A01K 27/002; A01K 27/003; A01K 27/004; A01K 27/005; A01K 27/006; A01K 27/008; A01K 27/009; A01K 25/00; A01K 15/04; A01K 15/021; A01K 15/022; A01K 11/006; A01K 11/008; A01K 23/00; A01K 29/00; A41B 13/06; A61F 11/12; A61D 9/00; B68B 1/02; B68B 1/01; E06B 9/02; E06B 9/0623; E06B 9/0638; A01L 3/02; A01L 5/00; A01L 1/02

See application file for complete search history.

(56) **References Cited**

U.S. PATENT DOCUMENTS

1,273,731 A * 7/1918 Button A01L 7/02 168/28
2,651,853 A * 9/1953 Lewis A01K 13/007 36/111

D670,453 S * 11/2012 Knutson D30/146
D728,867 S * 5/2015 Ruetenik D30/147
D832,531 S * 10/2018 Liblin, Jr. D30/147
D838,059 S * 1/2019 Ruetenik D30/146
D886,392 S * 6/2020 Revheim D30/146
2009/0032270 A1* 2/2009 Ruetenik A01L 3/06 168/28
2011/0067366 A1* 3/2011 Ruetenik A01L 15/00 54/82
2012/0279184 A1* 11/2012 Ruetenik B29C 39/003 54/82
2014/0007548 A1* 1/2014 Revheim A01L 7/02 54/82
2014/0033661 A1* 2/2014 Ruetenik B29C 70/58 54/82
2015/0088042 A1* 3/2015 Ruetenik A61D 9/00 602/1
2016/0165871 A1* 6/2016 Ruetenik A61D 9/00 168/22
2016/0249597 A1* 9/2016 Ruetenik A01K 13/007 168/12

(Continued)

Primary Examiner — Dana K Weiland

Assistant Examiner — Mary Claire Ramirez

(74) *Attorney, Agent, or Firm* — Douglas Baldwin, P.C.

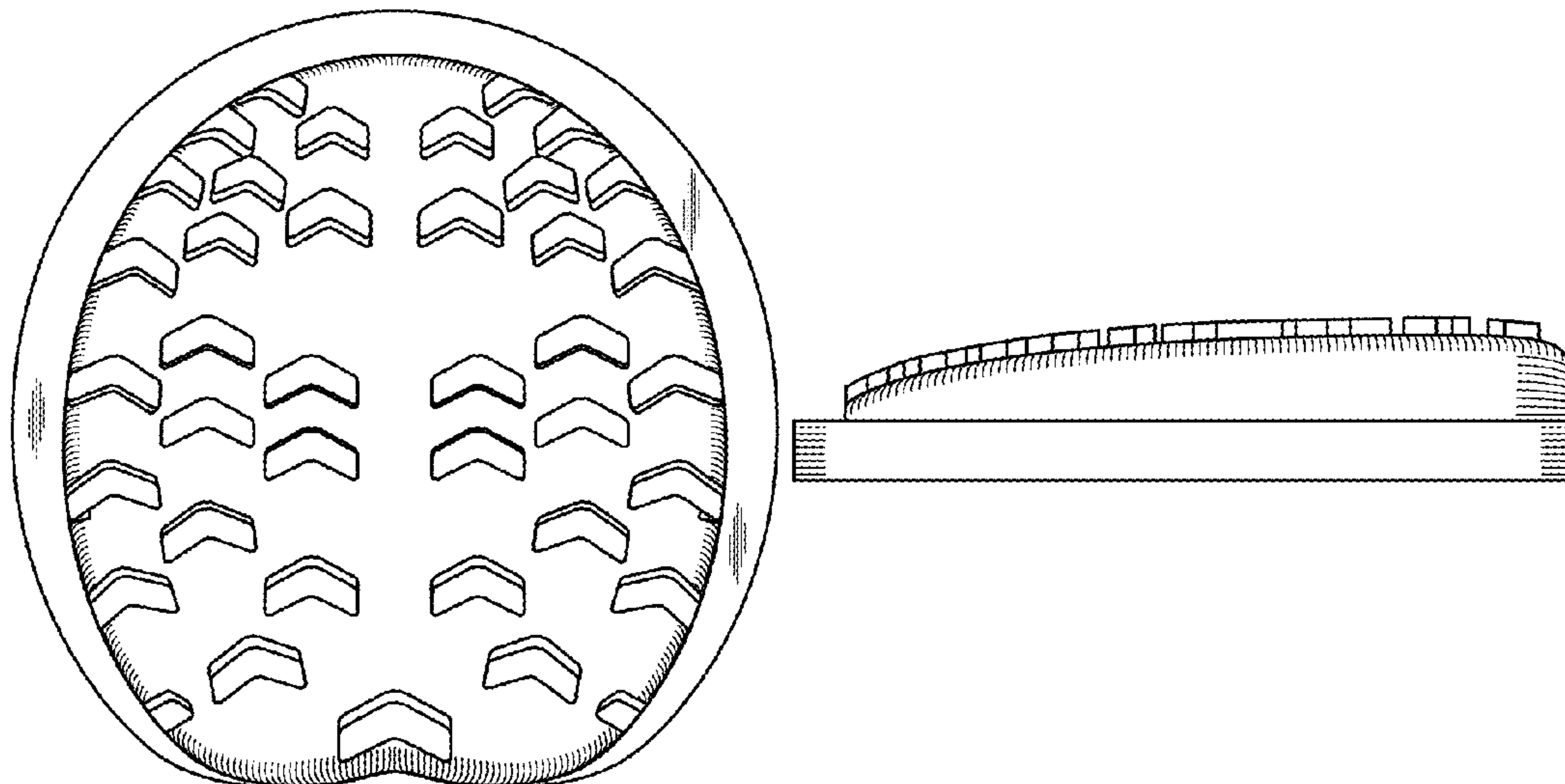
(57) **CLAIM**

The ornamental design for an equine shoe, as shown and described.

DESCRIPTION

FIG. 1 is a top view of an equine shoe showing my new design;
FIG. 2 is a bottom view thereof;
FIG. 3 is a rear elevation view thereof;
FIG. 4 is a front elevational view thereof;
FIG. 5 is a right side elevational view thereof; and,
FIG. 6 is a top, rear, left perspective view thereof.

1 Claim, 3 Drawing Sheets



(56)

References Cited

U.S. PATENT DOCUMENTS

2016/0250078 A1* 9/2016 Ruetenik A61F 5/0585
602/23
2017/0027150 A1* 2/2017 Ruetenik A01L 15/00
2019/0069514 A1* 3/2019 Ruetenik A01L 5/00
2019/0166818 A1* 6/2019 Ruetenik A01L 7/02
2020/0000076 A1* 1/2020 Revheim A01L 3/02

* cited by examiner

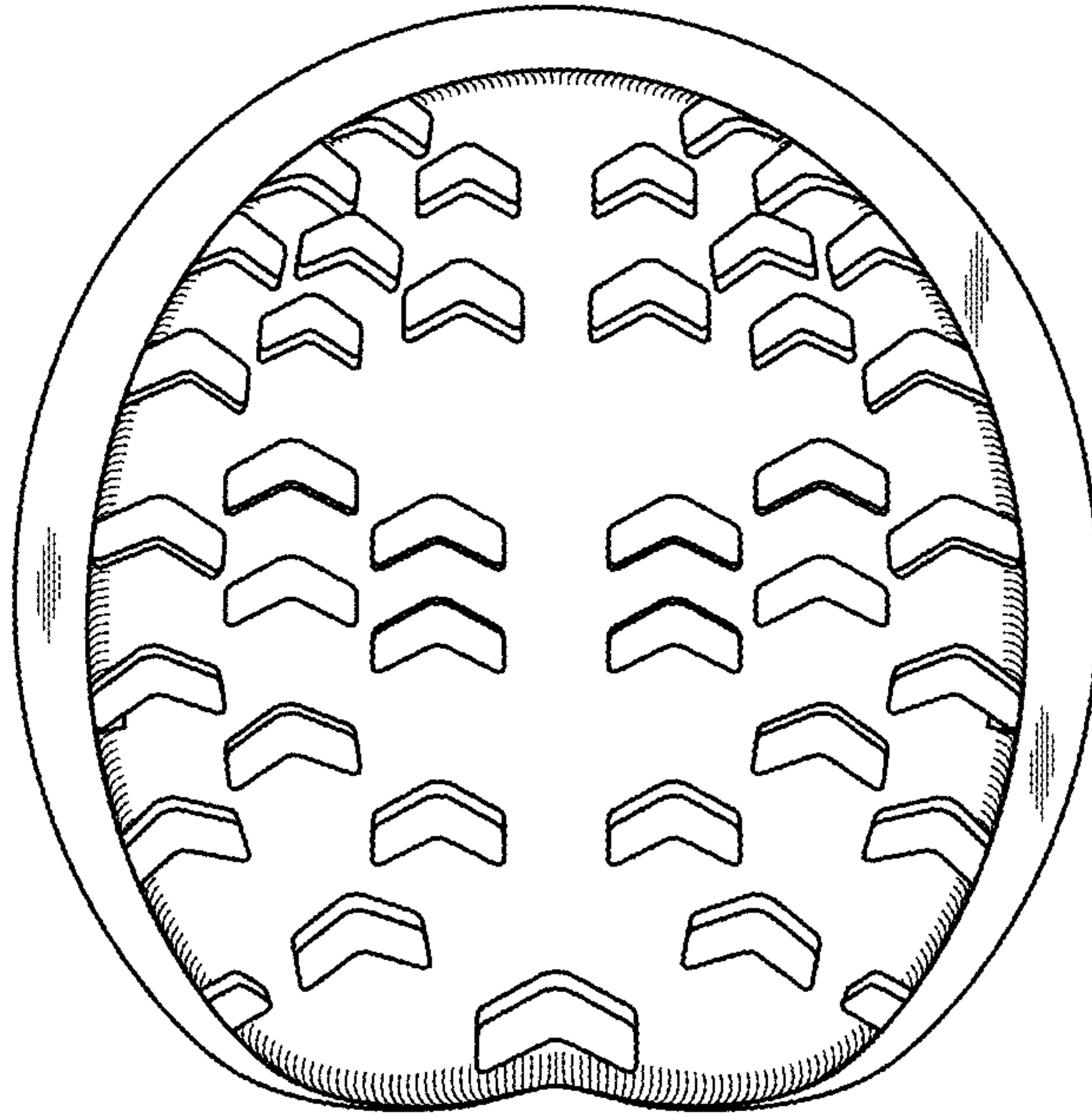


FIG. 1

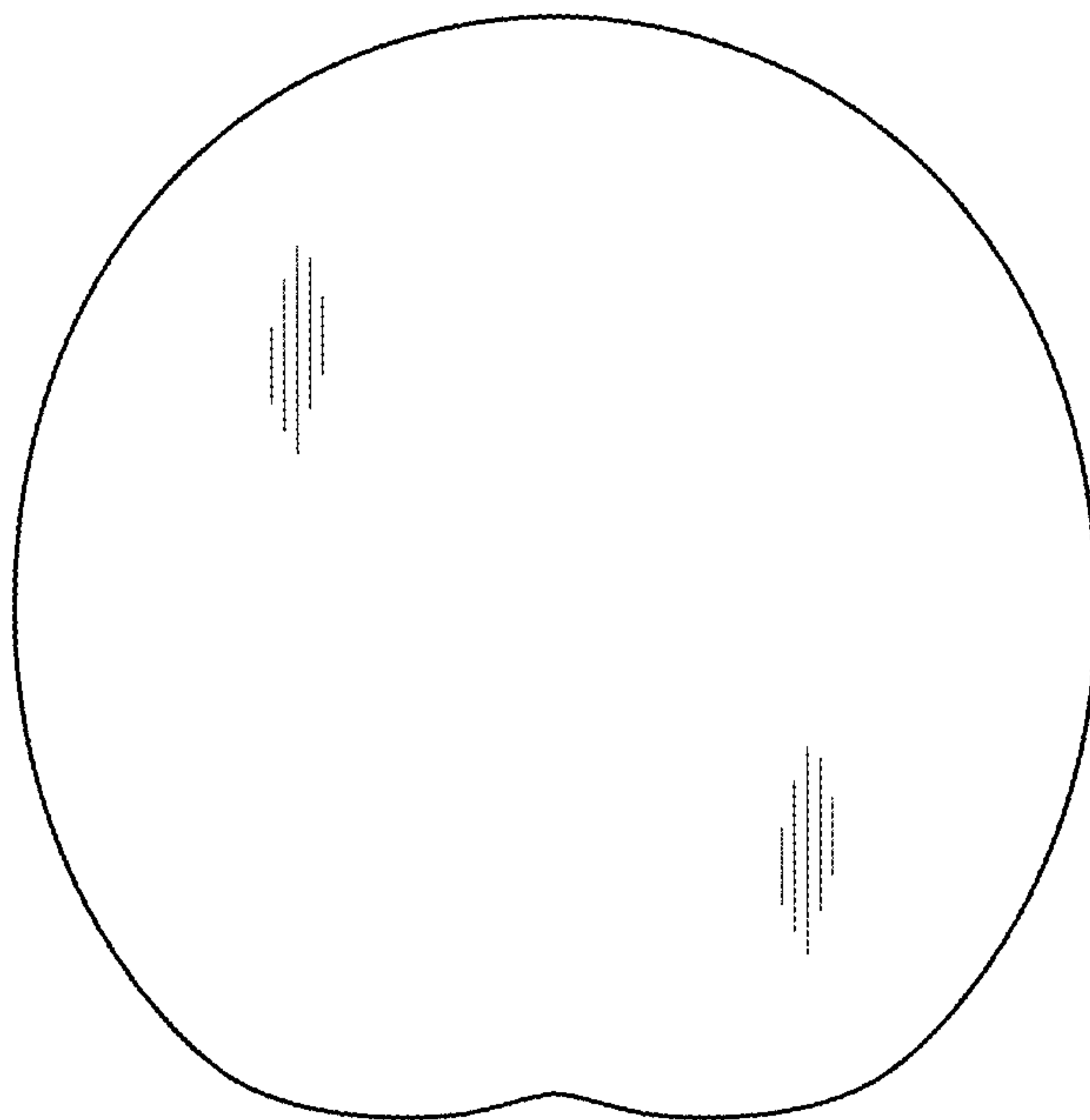


FIG. 2

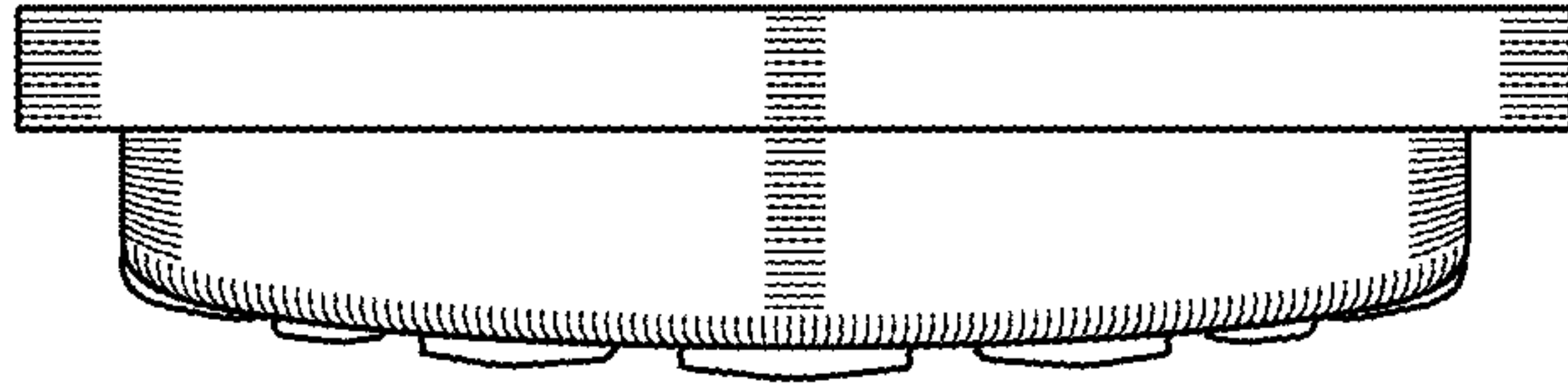


FIG. 3

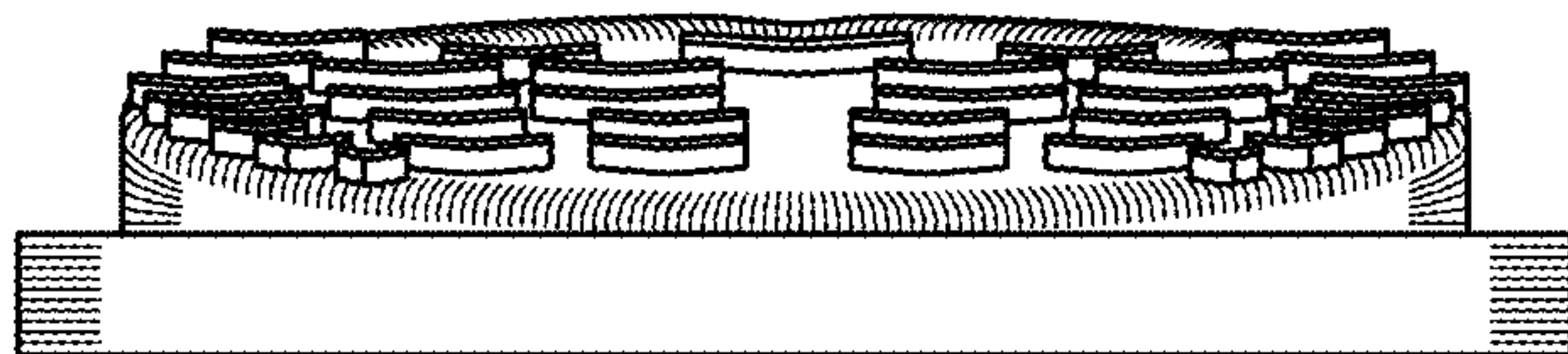


FIG. 4

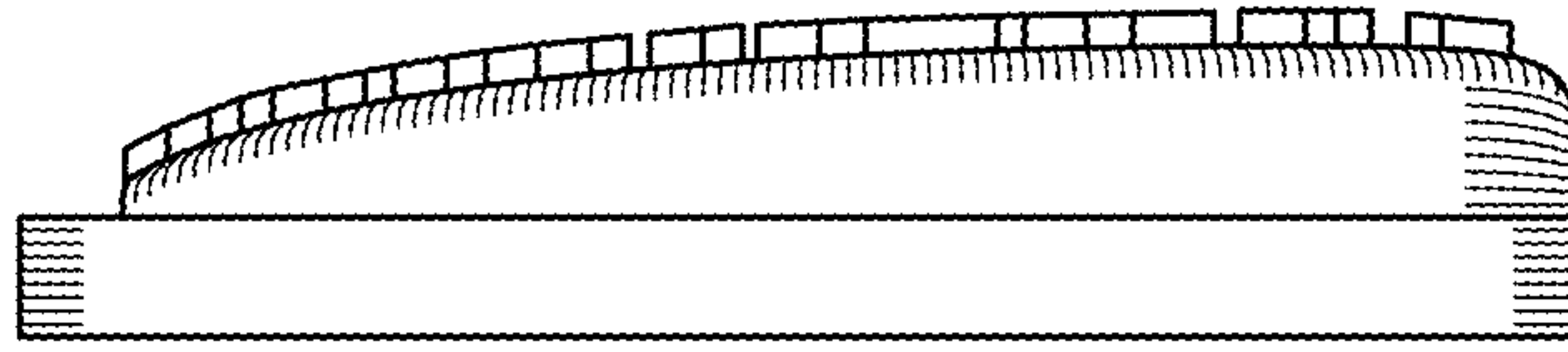


FIG. 5

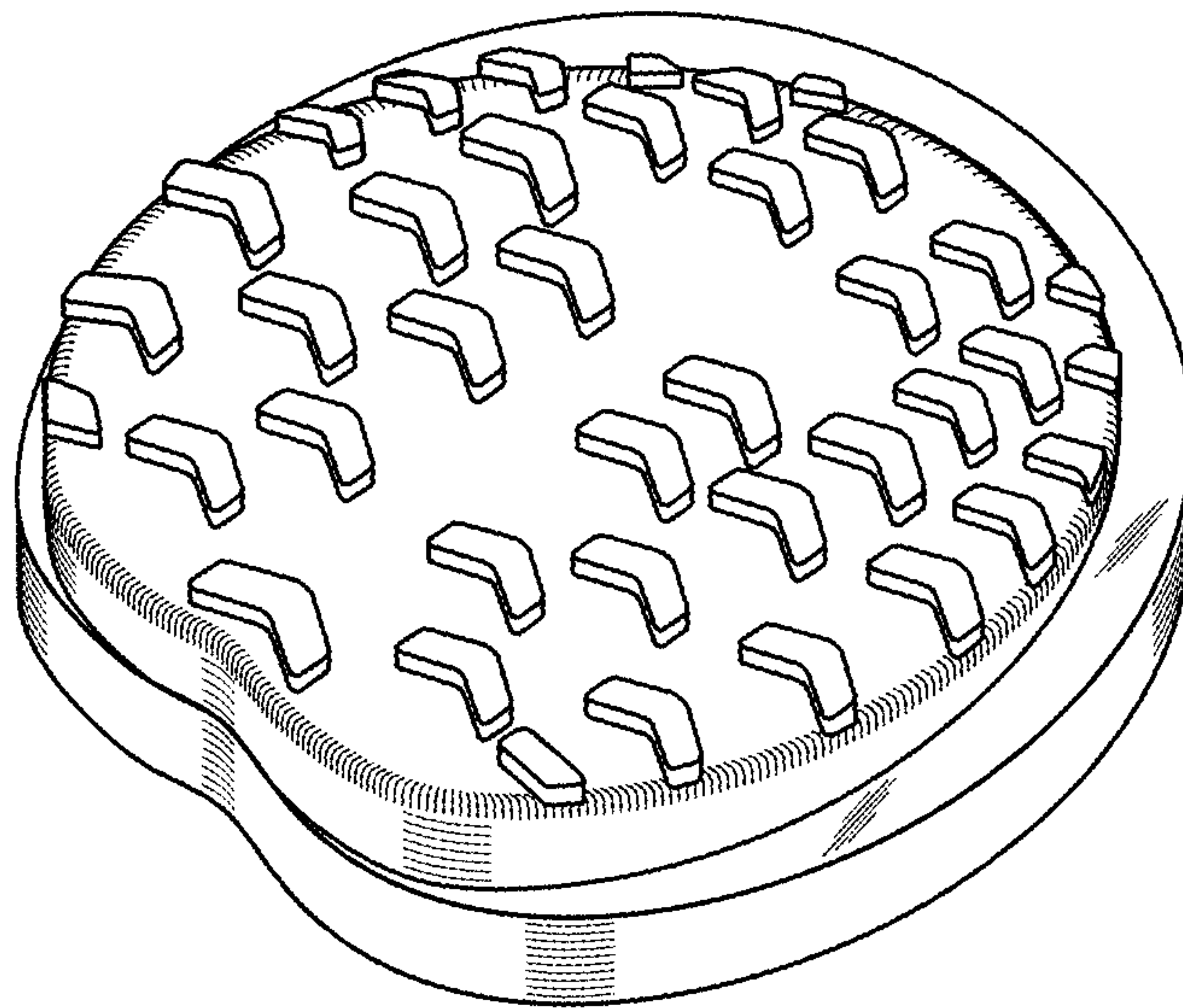


FIG. 6