



US00D897051S

(12) **United States Design Patent** (10) **Patent No.:** **US D897,051 S**  
**Kerr et al.** (45) **Date of Patent:** **\*\* Sep. 22, 2020**

(54) **PET BOWL**  
(71) Applicants: **Peter Kerr**, Seattle, WA (US); **Darya Kerr**, Seattle, WA (US)  
(72) Inventors: **Peter Kerr**, Seattle, WA (US); **Darya Kerr**, Seattle, WA (US)  
(\*\*) Term: **15 Years**  
(21) Appl. No.: **29/712,852**  
(22) Filed: **Nov. 12, 2019**  
(51) **LOC (12) Cl.** ..... **30-03**  
(52) **U.S. Cl.**  
USPC ..... **D30/129**  
(58) **Field of Classification Search**  
USPC .... D30/121, 122, 129-133; 119/61.5, 51.01, 119/61.56, 51.03, 59, 62, 63, 51.5, 57.8, 119/74, 61.54, 61.55, 61; 312/204; 248/151, 188; 108/153.1-157; 220/23.87, 630, 737, 743, 9.4, 495.01, 220/574, 212, 255, 23.83, 575; 206/515; D7/586, 543, 550.1, 587, 505, 584, 545, D7/500, 553.1-553.8, 546, 555, 556, 504, D7/565, 562, 602, 507, 549, 558, 552.2, D7/560, 566, 548, 681; D9/429; 43/109; D22/122; 99/430, DIG. 15  
CPC ..... A01K 5/01-0142; A01K 7/005  
See application file for complete search history.

D374,517 S 10/1996 Morrill  
D390,419 S \* 2/1998 Perlmutter ..... D7/549  
D409,448 S \* 5/1999 Hudson, Jr. .... D7/543  
D413,044 S \* 8/1999 Zappolo ..... D7/555  
D424,757 S \* 5/2000 Cooper ..... D30/129  
D439,707 S 3/2001 Hansen et al.  
D467,044 S 12/2002 Tangolics  
D467,687 S 12/2002 Tangolics  
D471,677 S 3/2003 Northrop  
D472,021 S 3/2003 Northrop  
D502,294 S \* 2/2005 Hung ..... D30/121  
D504,987 S \* 5/2005 Morris, Sr. .... D32/53  
D514,750 S \* 2/2006 Matula ..... D30/129  
D564,710 S \* 3/2008 Modi ..... D30/129  
7,387,082 B1 \* 6/2008 Fried ..... A01K 5/0114  
119/61.5  
D600,862 S \* 9/2009 Sin ..... D30/129

(Continued)

*Primary Examiner* — Susan Moon Lee  
(74) *Attorney, Agent, or Firm* — Michael J. Feigin, Esq.;  
Feigin and Fridman

(57) **CLAIM**

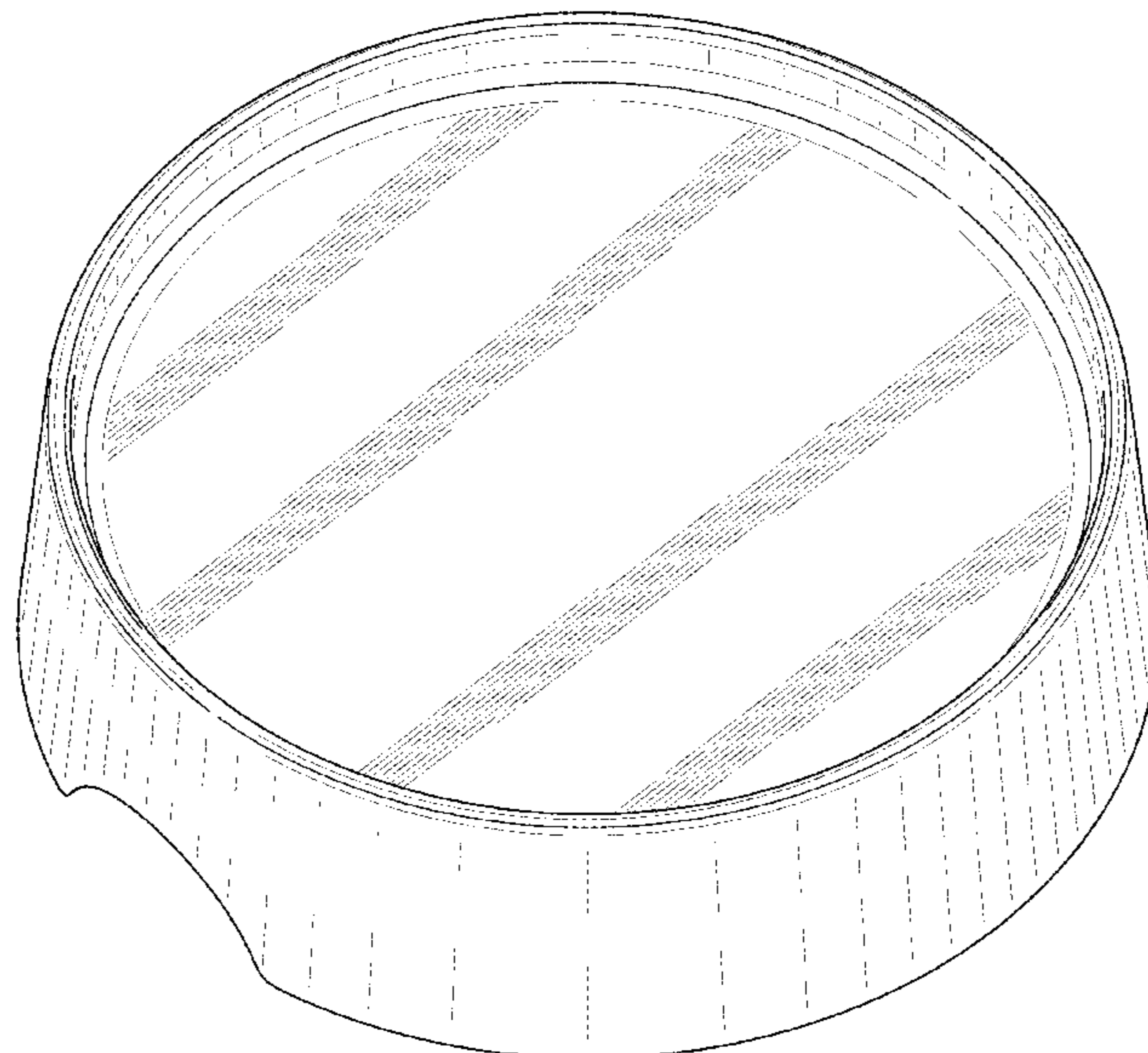
The ornamental design for a pet bowl, as shown and described.

**DESCRIPTION**

FIG. 1 shows a top and side perspective view of a pet bowl. FIG. 2 shows a bottom and side perspective view thereof. FIG. 3 shows a top plan view thereof. FIG. 4 shows a bottom plan view thereof. FIG. 5 shows a first side view thereof, the opposite side being a mirror image thereof. FIG. 6 shows a second side view thereof; and, FIG. 7 shows a cross section of section line 7-7 of FIG. 5. The broken lines depict unclaimed features of the pet bowl that form no part of the design claim but are shown illustratively.

**1 Claim, 5 Drawing Sheets**

(56) **References Cited**  
U.S. PATENT DOCUMENTS  
1,272,996 A \* 7/1918 Poschadel ..... A47G 19/02  
220/575  
4,257,353 A 3/1981 Imhoff  
D287,772 S \* 1/1987 Stewart ..... D30/129  
D305,846 S \* 2/1990 Griffith ..... D7/505  
5,341,953 A \* 8/1994 Forester ..... A47G 19/02  
220/575  
D367,587 S \* 3/1996 Perlmutter ..... D7/553.3



(56)

References Cited

U.S. PATENT DOCUMENTS

D607,616 S 1/2010 Newsome et al.  
 D636,945 S 4/2011 Anderson et al.  
 D646,852 S 10/2011 Chance et al.  
 D648,492 S 11/2011 Able  
 D655,054 S 2/2012 Lipscomb et al.  
 D659,296 S \* 5/2012 Anderson ..... D30/129  
 D682,481 S \* 5/2013 Krueger ..... D30/124  
 D682,485 S 5/2013 Wygle  
 D705,500 S 5/2014 Gambino  
 D718,004 S \* 11/2014 Stovall ..... D30/129  
 D729,989 S \* 5/2015 Krueger ..... D30/124  
 D743,636 S \* 11/2015 Krueger ..... D30/124  
 D744,173 S \* 11/2015 Jones ..... D30/129  
 D744,174 S \* 11/2015 Jones ..... D30/133  
 RE45,837 E \* 1/2016 Krueger ..... D30/124  
 D749,367 S \* 2/2016 Wirth, Jr. .... D7/584  
 D752,922 S \* 4/2016 Greenwood ..... D7/501  
 D756,042 S \* 5/2016 Kulesus ..... D30/129  
 D757,373 S 5/2016 Breit  
 9,332,729 B1 \* 5/2016 Hyle ..... A01K 5/0142  
 D758,674 S 6/2016 Youn  
 D782,127 S 3/2017 Wechsler  
 D782,749 S 3/2017 Michizoe  
 D788,380 S \* 5/2017 Krueger ..... D30/124

9,723,812 B2 \* 8/2017 Jones ..... F16M 11/041  
 D801,121 S \* 10/2017 Kerr ..... D7/554.2  
 D802,853 S 11/2017 MacNeil et al.  
 D803,488 S \* 11/2017 Nifong ..... D30/124  
 D805,700 S 12/2017 Owens, III  
 D816,279 S 4/2018 Peninger  
 D820,531 S \* 6/2018 Peninger ..... D30/129  
 D820,532 S \* 6/2018 Peninger ..... D30/129  
 D821,039 S \* 6/2018 Owens, III ..... D30/129  
 D821,658 S \* 6/2018 Danenberg ..... D30/121  
 D824,602 S \* 7/2018 Danenberg ..... D30/121  
 D830,010 S 10/2018 Kerr  
 D838,550 S \* 1/2019 Kerr ..... D7/554.2  
 D840,611 S 2/2019 Takagi et al.  
 D854,260 S 7/2019 Meada  
 D863,698 S 10/2019 Miyawaki et al.  
 D867,677 S \* 11/2019 Danenberg ..... D30/121  
 10,479,575 B2 \* 11/2019 Danenberg ..... A23K 40/30  
 10,542,727 B2 \* 1/2020 Jones ..... F16M 11/041  
 D883,579 S \* 5/2020 Danenberg ..... D30/121  
 2004/0231607 A1 \* 11/2004 Hollinger ..... A01K 5/0135  
 119/61.54  
 2007/0089678 A1 \* 4/2007 Greenwood ..... A01K 5/0114  
 119/61.5  
 2013/0291802 A1 \* 11/2013 Carpentieri ..... A01K 7/027  
 119/72

\* cited by examiner

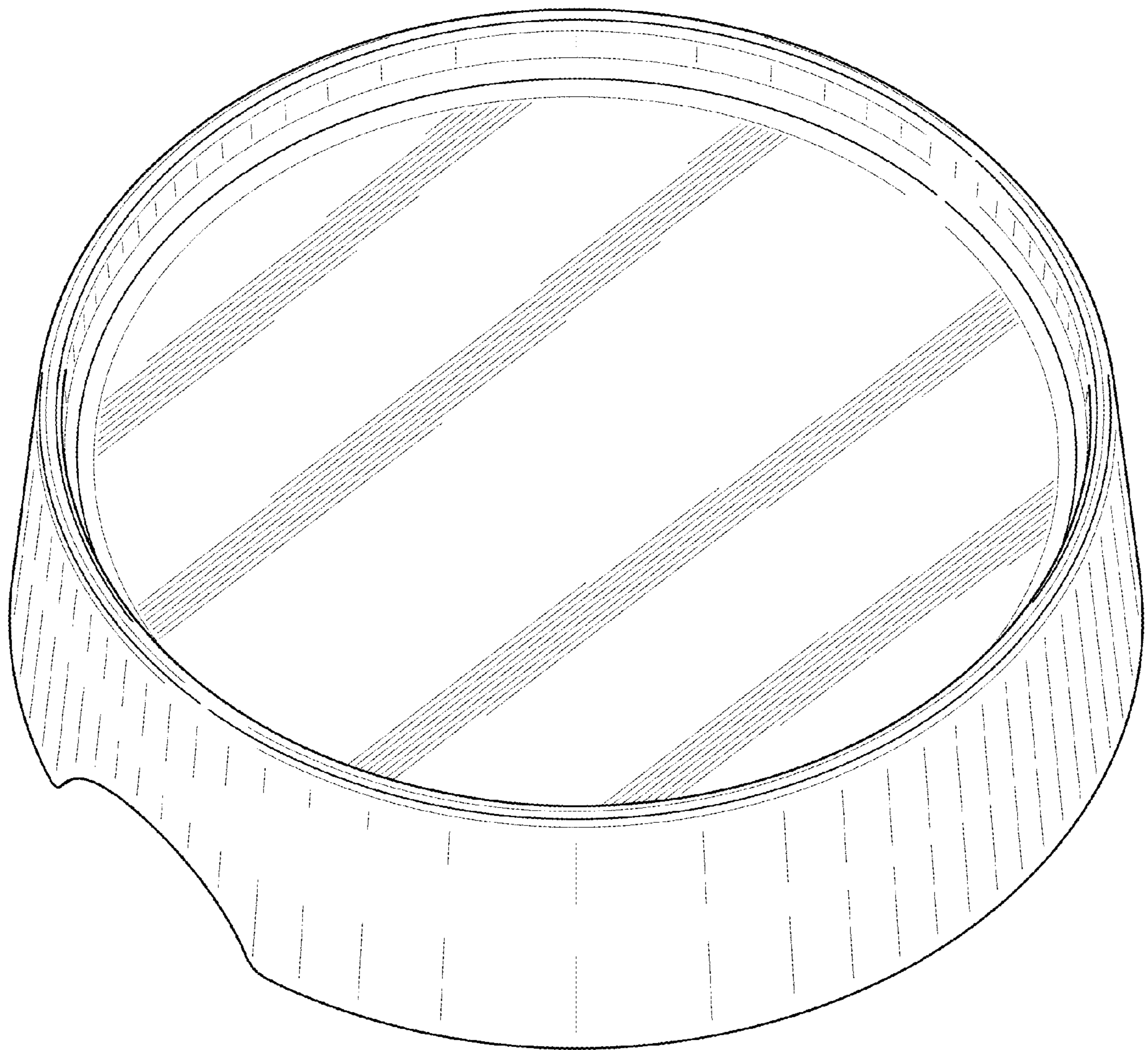


FIG. 1



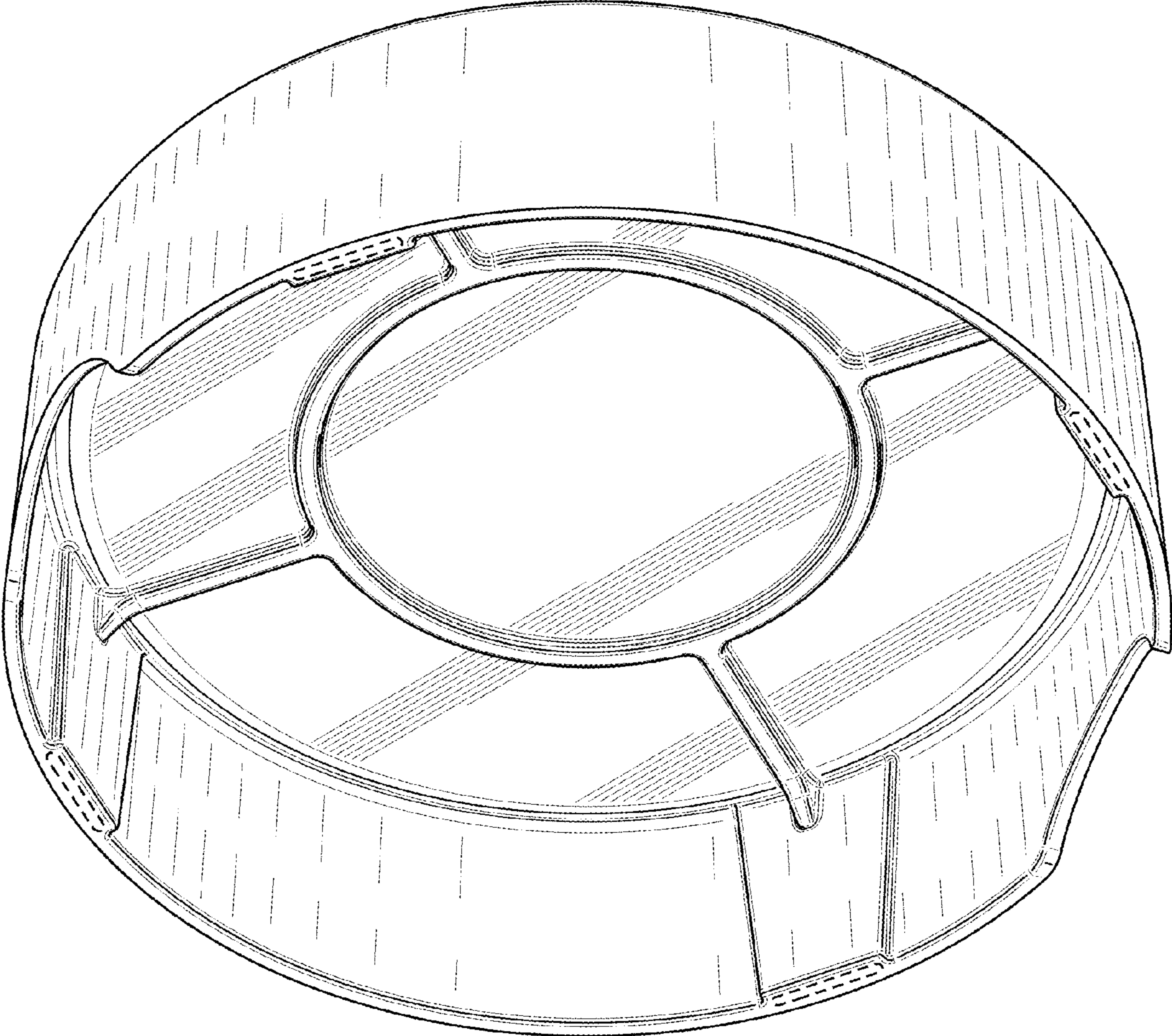


FIG. 2

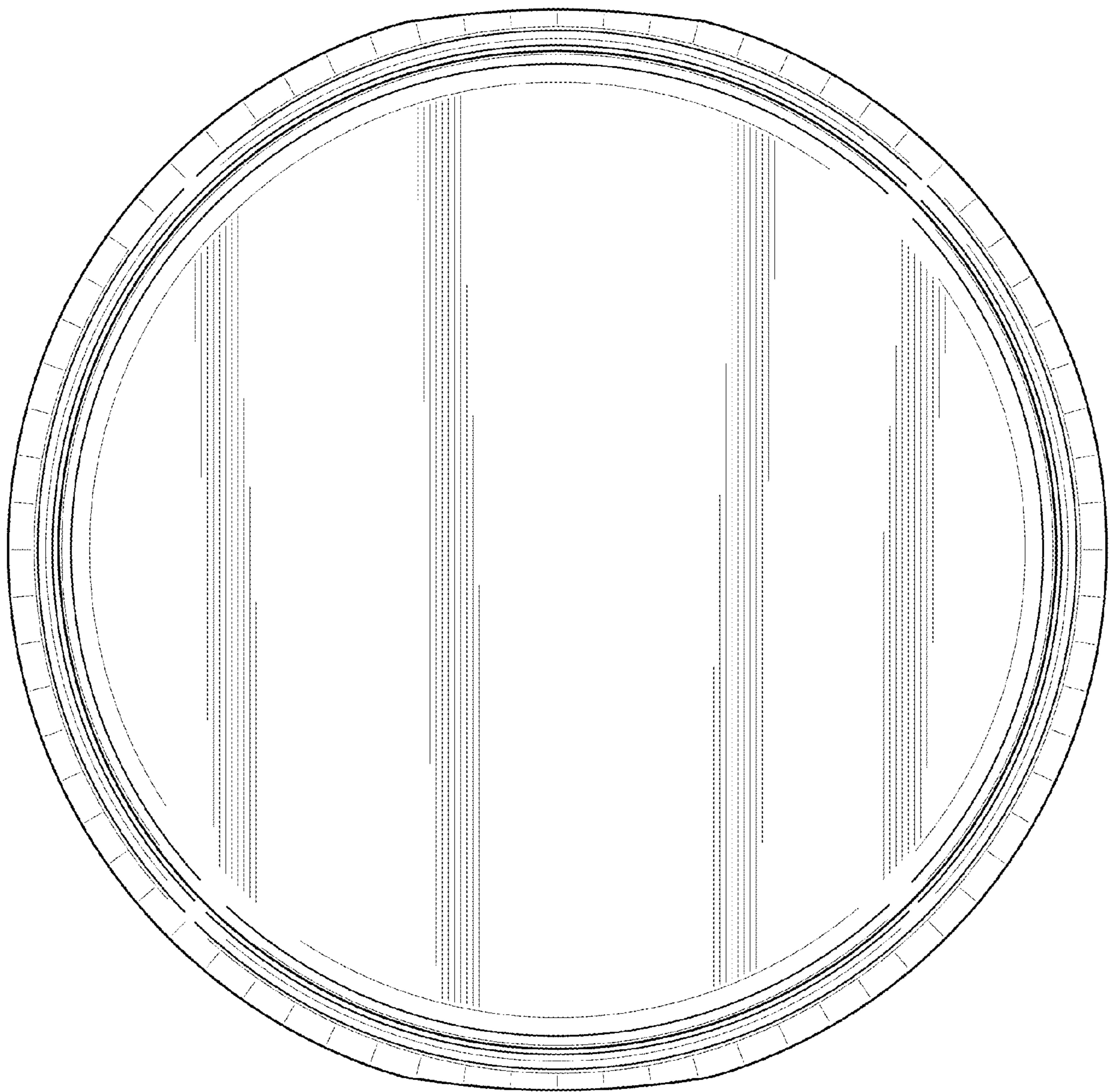


FIG. 3



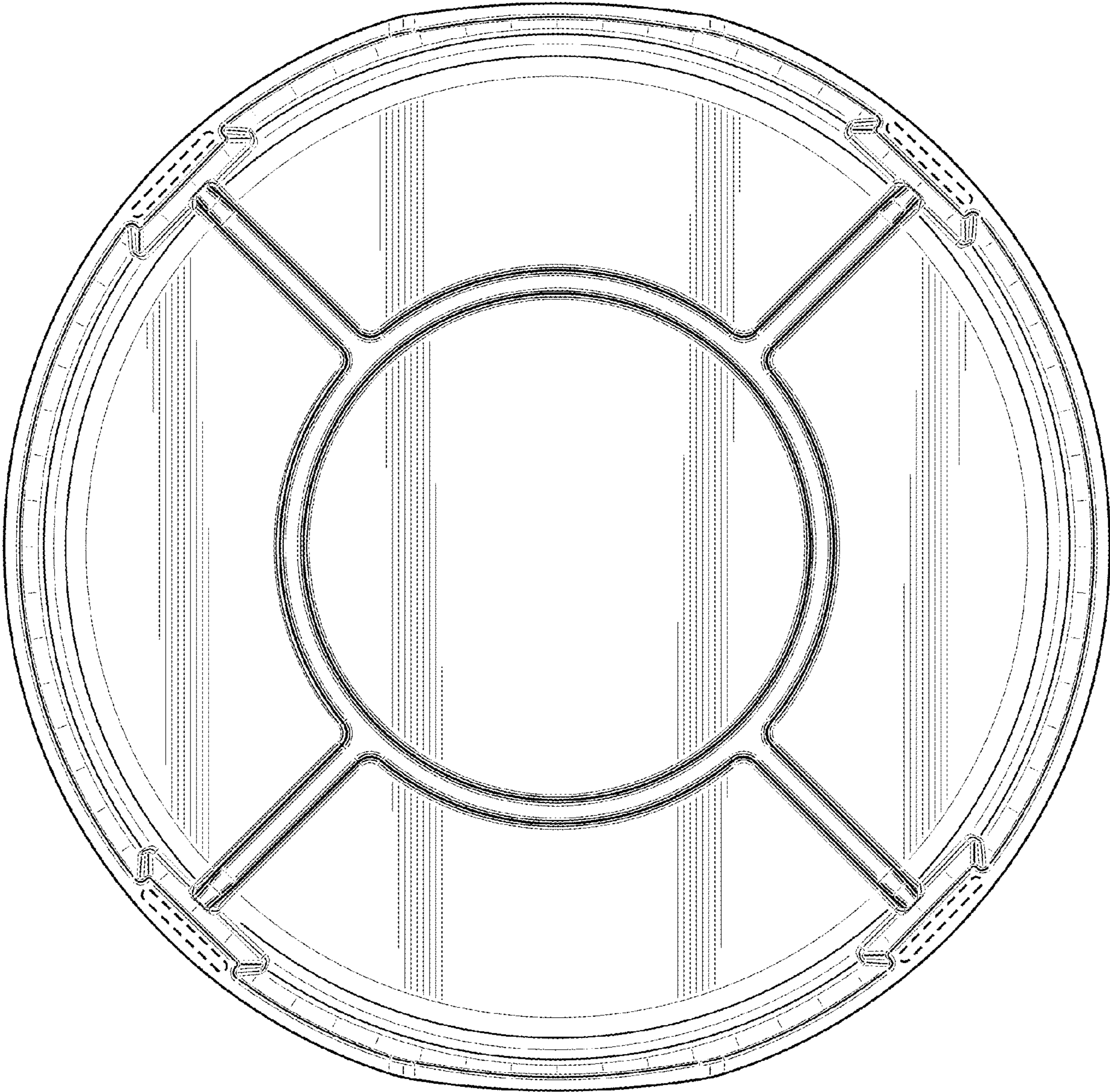


FIG. 4

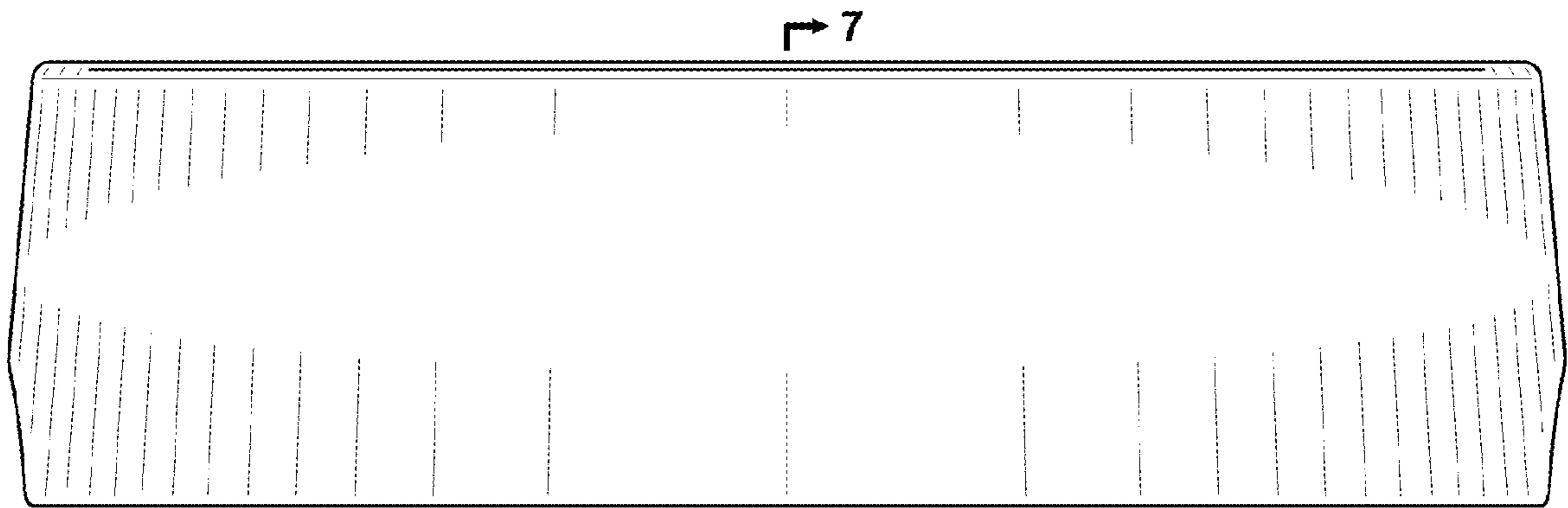


FIG. 5

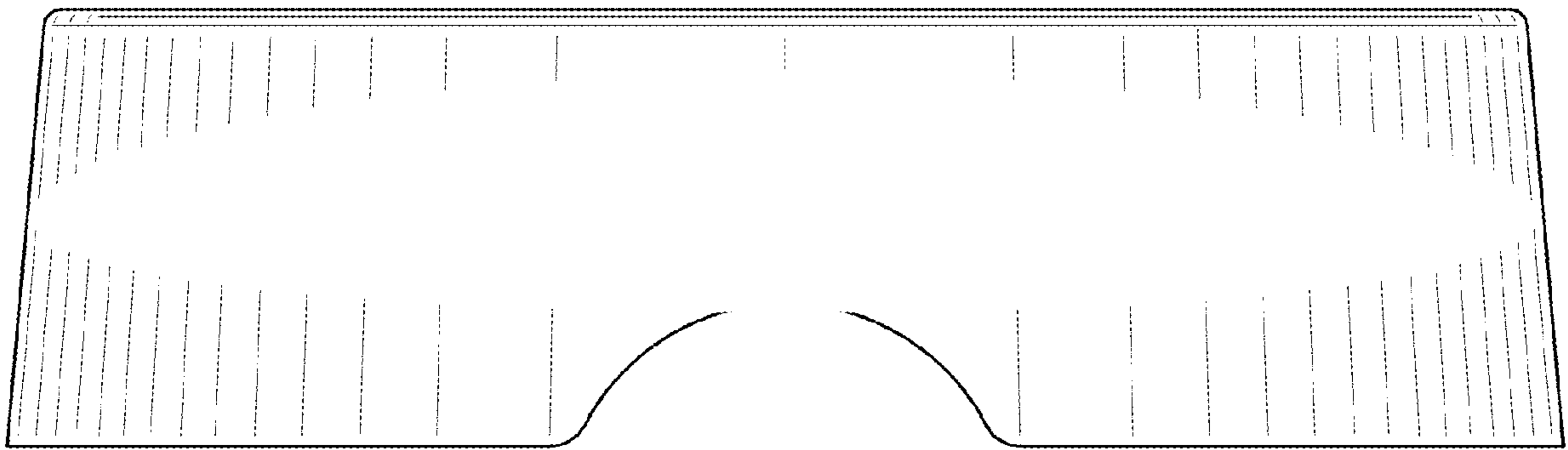


FIG. 6

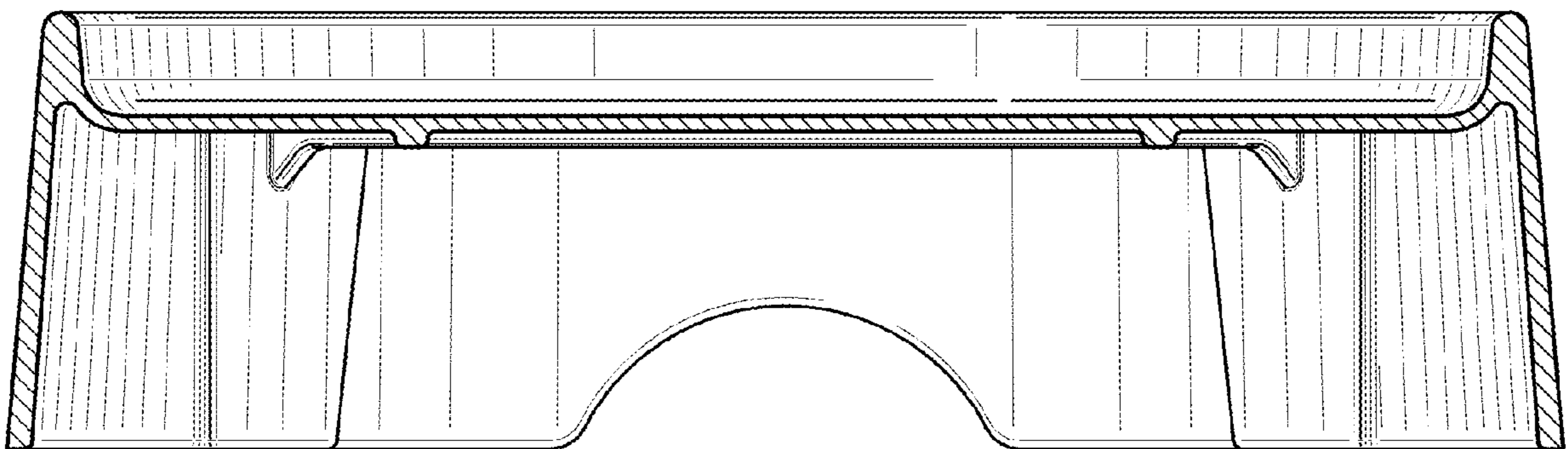


FIG. 7