



US00D897049S

(12) **United States Design Patent**  
**Zeng**

(10) **Patent No.:** **US D897,049 S**  
(45) **Date of Patent:** **\*\* Sep. 22, 2020**

- (54) **PET FEEDING DEVICE**
- (71) Applicant: **Shenzhen Keekoonvision Technology Co., Ltd.**, Shenzhen (CN)
- (72) Inventor: **Weiwei Zeng**, Shenzhen (CN)
- (73) Assignee: **SHENZHEN KEEKOONVISION TECHNOLOGY CO., LTD.**, Shenzhen (CN)
- (\*\*) Term: **15 Years**
- (21) Appl. No.: **29/674,696**
- (22) Filed: **Dec. 24, 2018**
- (51) **LOC (12) Cl.** ..... **30-07**
- (52) **U.S. Cl.**  
USPC ..... **D30/121**
- (58) **Field of Classification Search**  
USPC ..... D30/121, 122, 129, 130, 131, 132, 133, D30/199; D14/125, 138 C, 138 R, 140.1, D14/155, 159, 167, 230, 231, 232, 233, D14/234, 235, 236, 237, 238, 240, 242, D14/243, 299, 348, 349, 351, 353, 354, D14/355, 356, 357, 358, 367, 385, 433, D14/435, 436, 474, 480, 496; 119/61.5, 119/51.01, 61.56, 51.03, 59, 62, 63, 51.5, 119/57.8, 74, 61.54, 61.55, 53, 53.5, 75, 119/56.2, 51.02, 51.11, 51.12, 57.1, 52.1, 119/515  
CPC ..... A01K 5/00; A01K 5/0291; A01K 7/00; A01K 7/005; A01K 7/02; A01K 39/02; A01K 39/04  
See application file for complete search history.

D843,665 S *	3/2019	Zeng	.....	D30/122
D844,258 S *	3/2019	Xu	.....	D30/122
D876,022 S *	2/2020	Hua	.....	D30/122
D884,985 S *	5/2020	Chen	.....	D30/122
D884,986 S *	5/2020	Chen	.....	D30/122
D885,685 S *	5/2020	Chen	.....	D30/122
D885,686 S *	5/2020	Chen	.....	D30/122

**OTHER PUBLICATIONS**

“Pet Partner” (via YouTube), available Jan. 15, 2019, [online], [site visited Jun. 3, 2020]. Retrieved from Internet, URL:[https://www.youtube.com/watch?v=72KBWXQw\\_4E&feature=emb\\_logo](https://www.youtube.com/watch?v=72KBWXQw_4E&feature=emb_logo) (Year: 2019).\*

“Keekoon” available Aug. 16, 2018, [online], [site visited Jun. 3, 2020]. Retrieved from Internet, URL:<https://web.archive.org/web/20180816142347/https://www.keekoonvision.com/smart-pet-feeder> (Year: 2018).\*

\* cited by examiner

*Primary Examiner* — Michael C Stout  
*Assistant Examiner* — Katrina N Gonzalez

(57) **CLAIM**

The ornamental design for a pet feeding device, as shown and described.

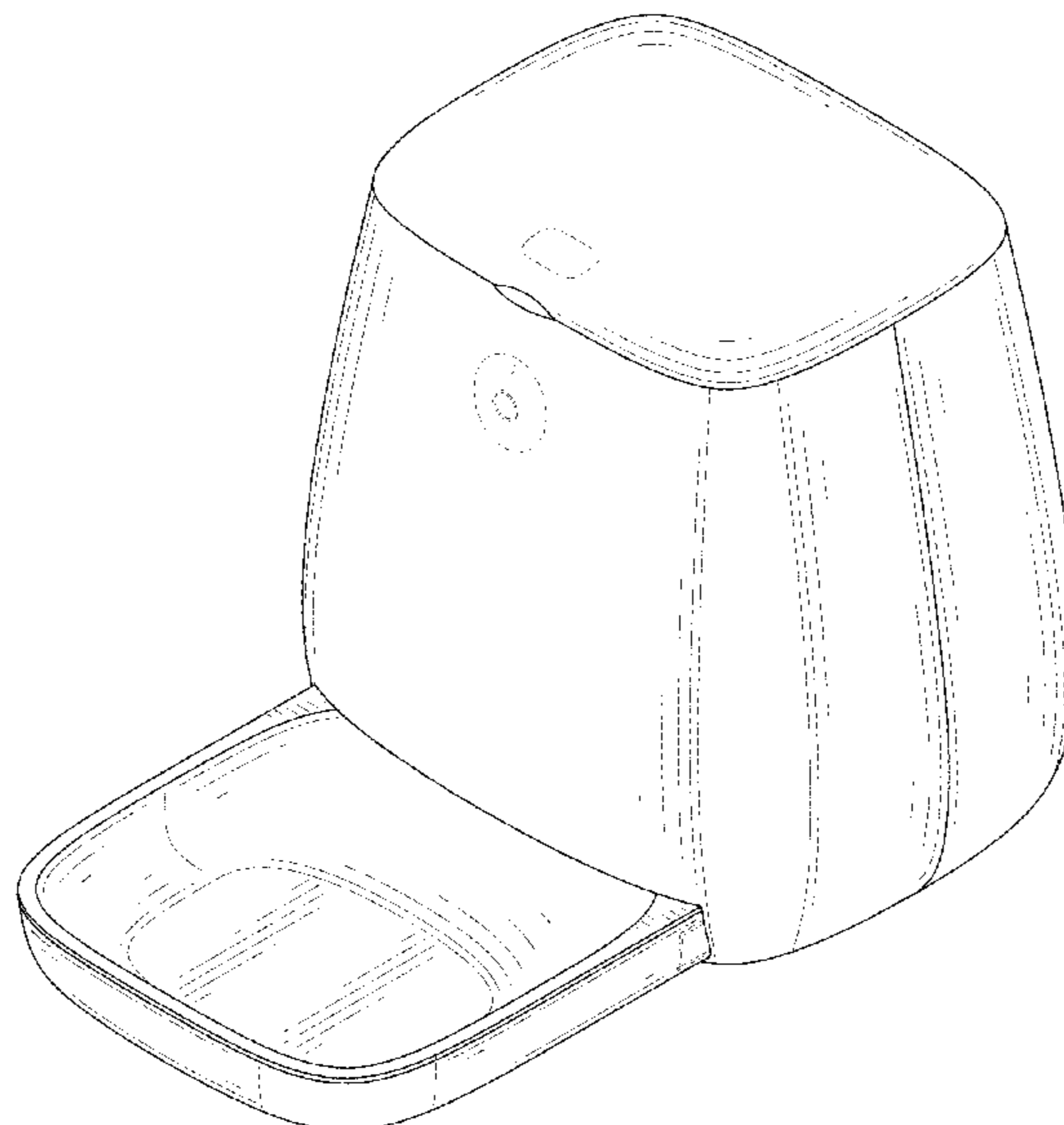
**DESCRIPTION**

FIG. 1 is a first perspective view of a pet feeding device; FIG. 2 is a second perspective view thereof; FIG. 3 is a front elevation view thereof; FIG. 4 is a rear elevation view thereof; FIG. 5 is a left side elevation view thereof; FIG. 6 is a right side elevation view thereof; FIG. 7 is a top plan the view thereof; and, FIG. 8 is a bottom plan the view thereof.  
The broken lines shown in the drawings are included for the purpose of illustrating portions of the article that form no part of the claimed design.

**1 Claim, 8 Drawing Sheets**

(56) **References Cited**  
U.S. PATENT DOCUMENTS

D814,124 S *	3/2018	Ward	.....	D30/122
D835,356 S *	12/2018	Xie	.....	D30/122



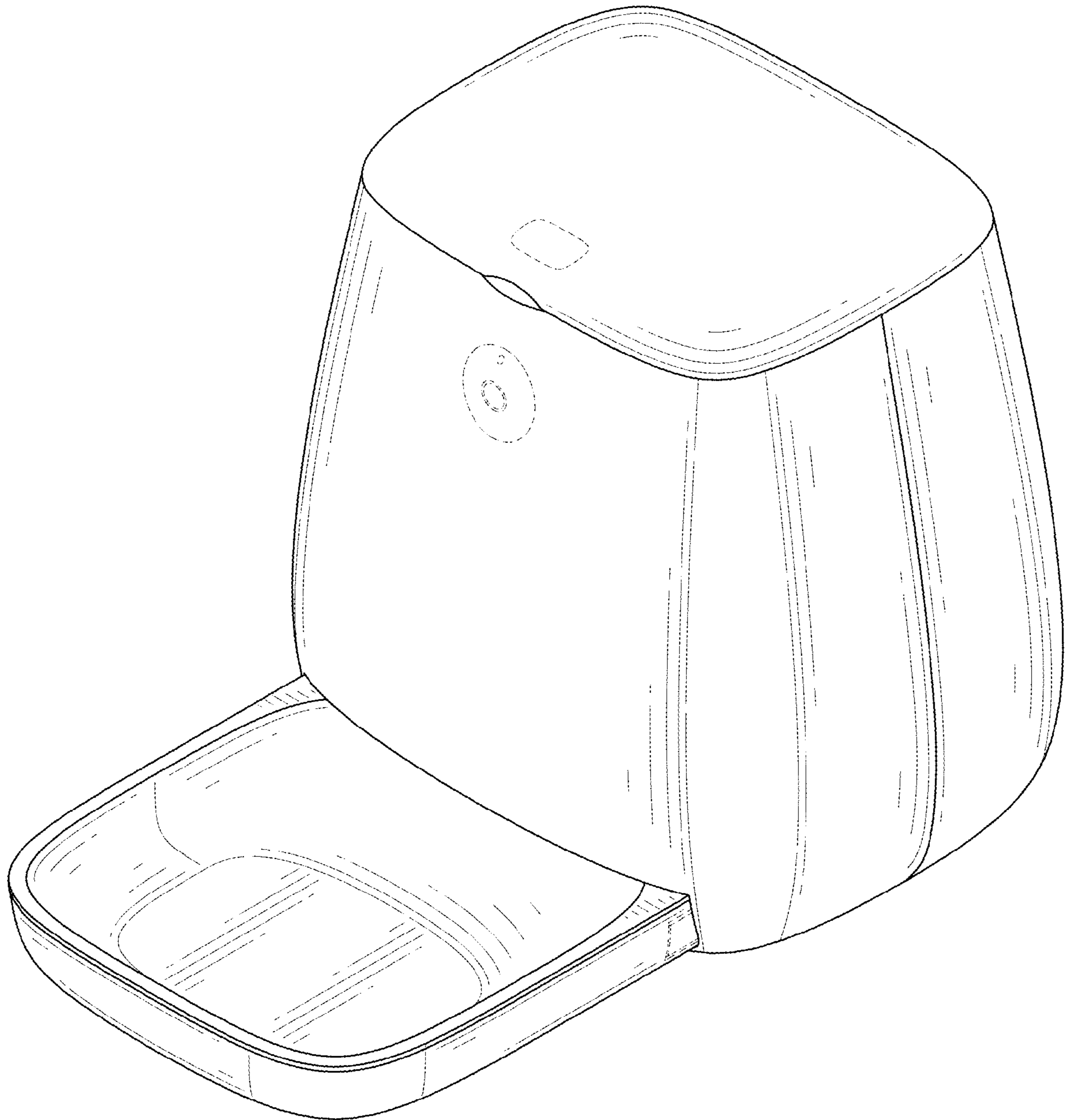


FIG. 1

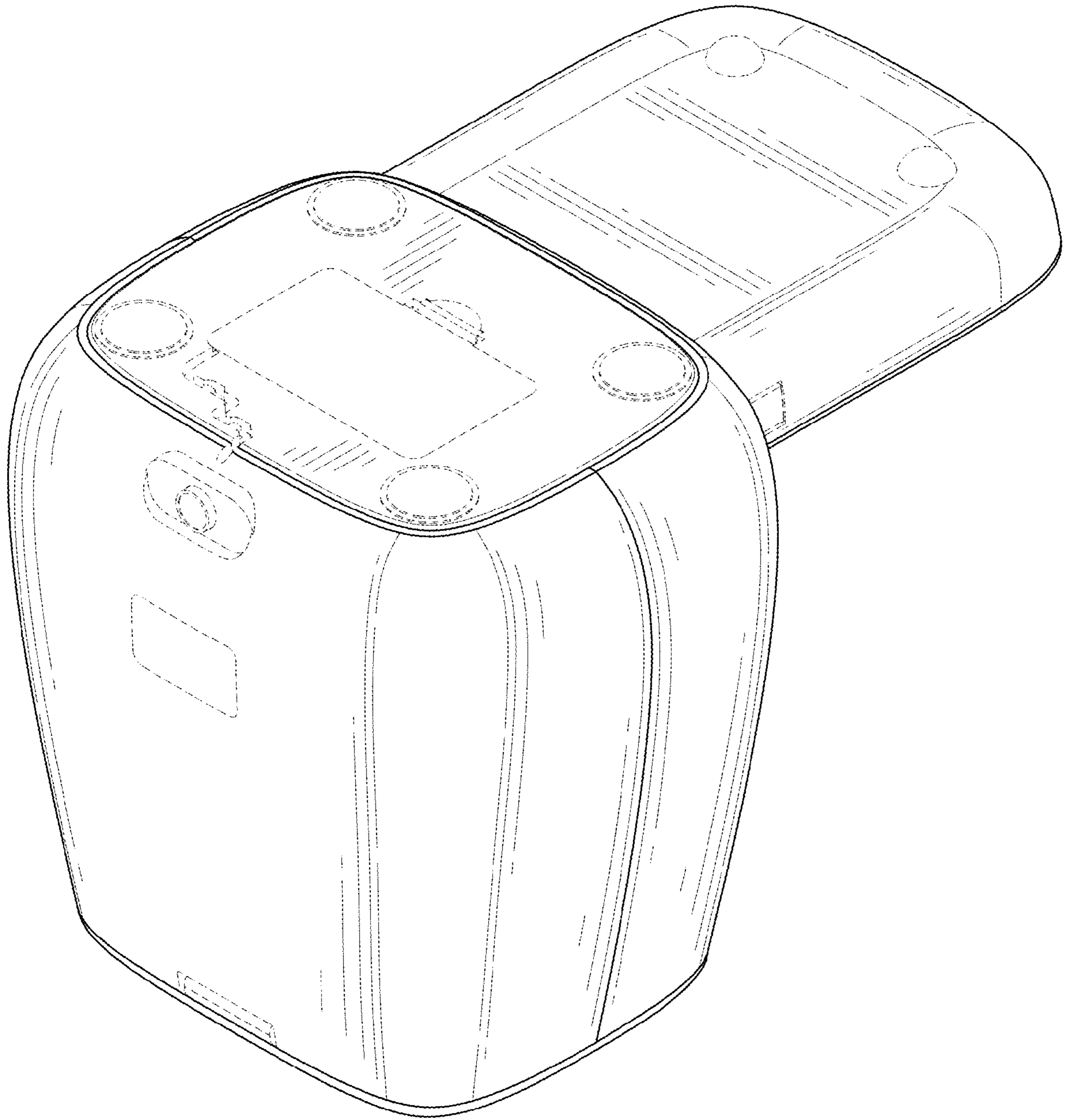


FIG. 2

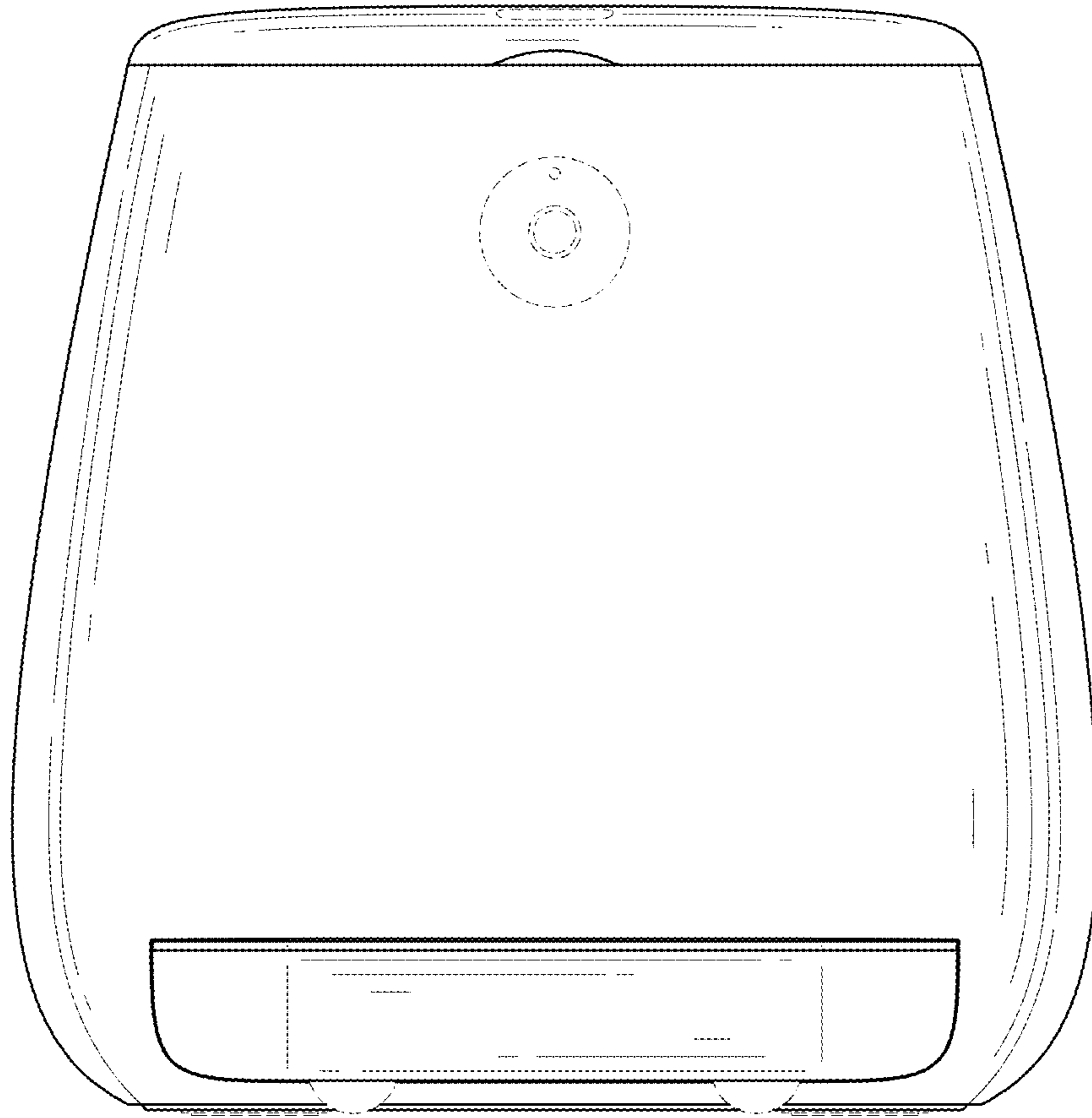


FIG. 3

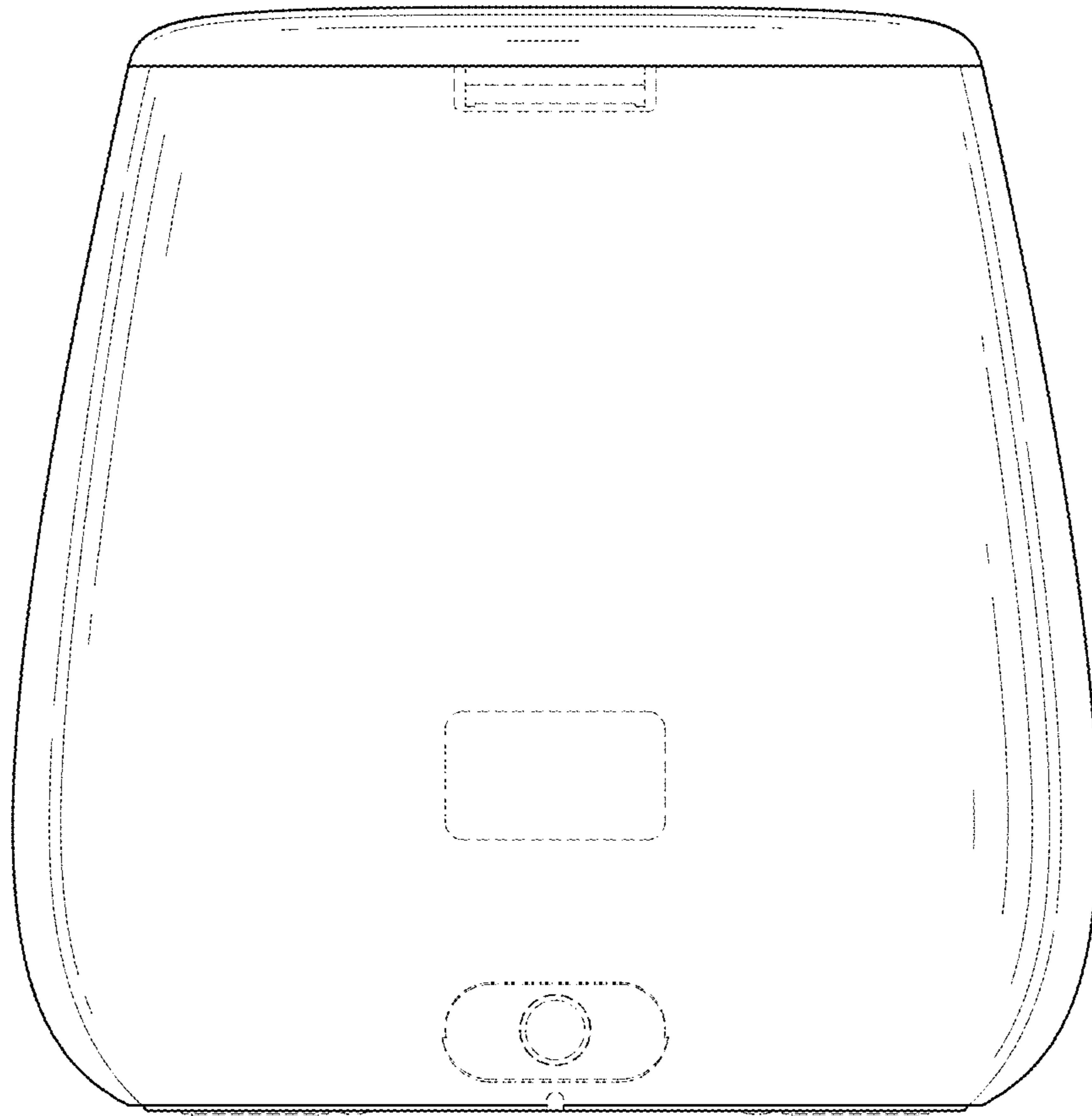


FIG. 4



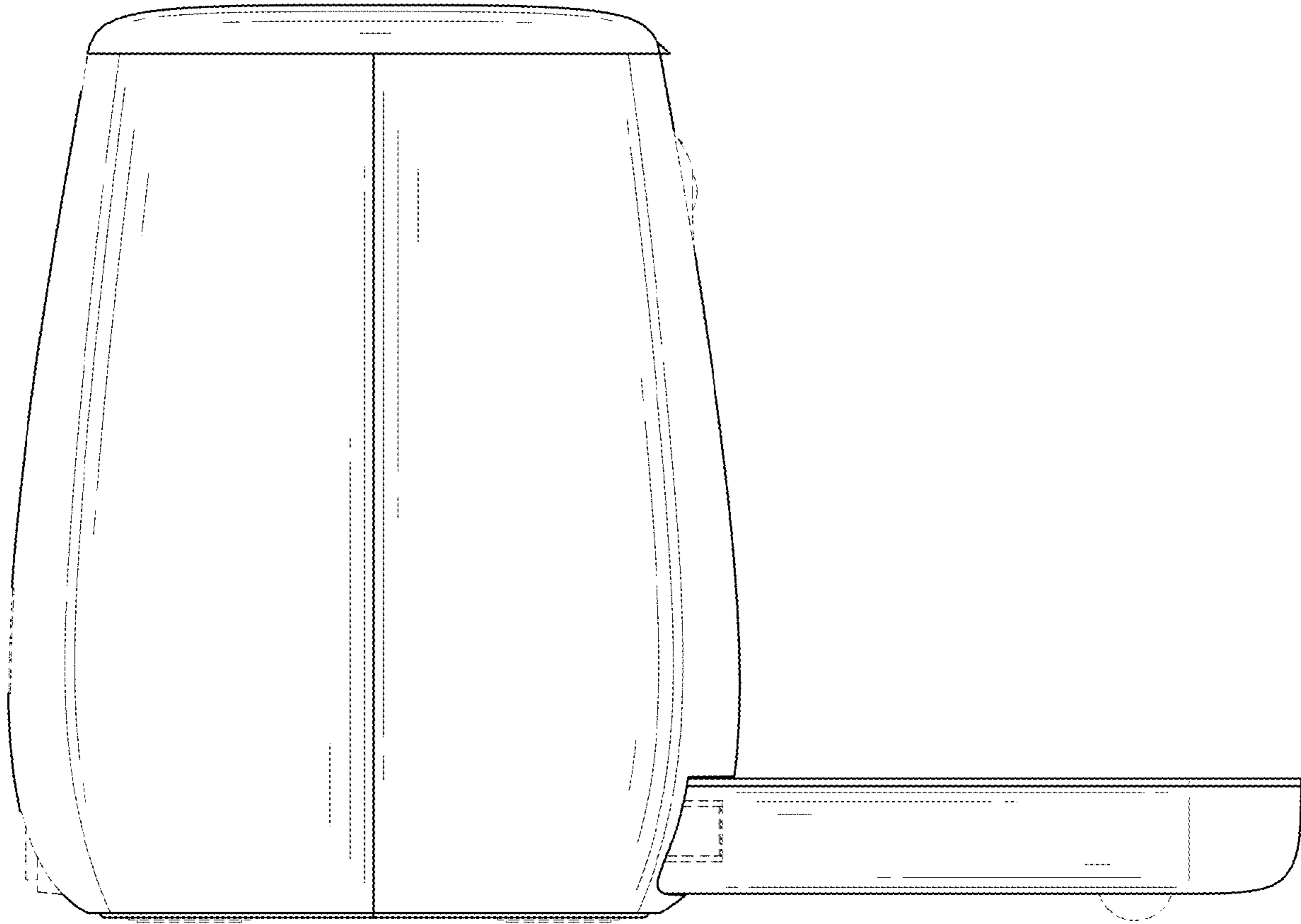


FIG. 5

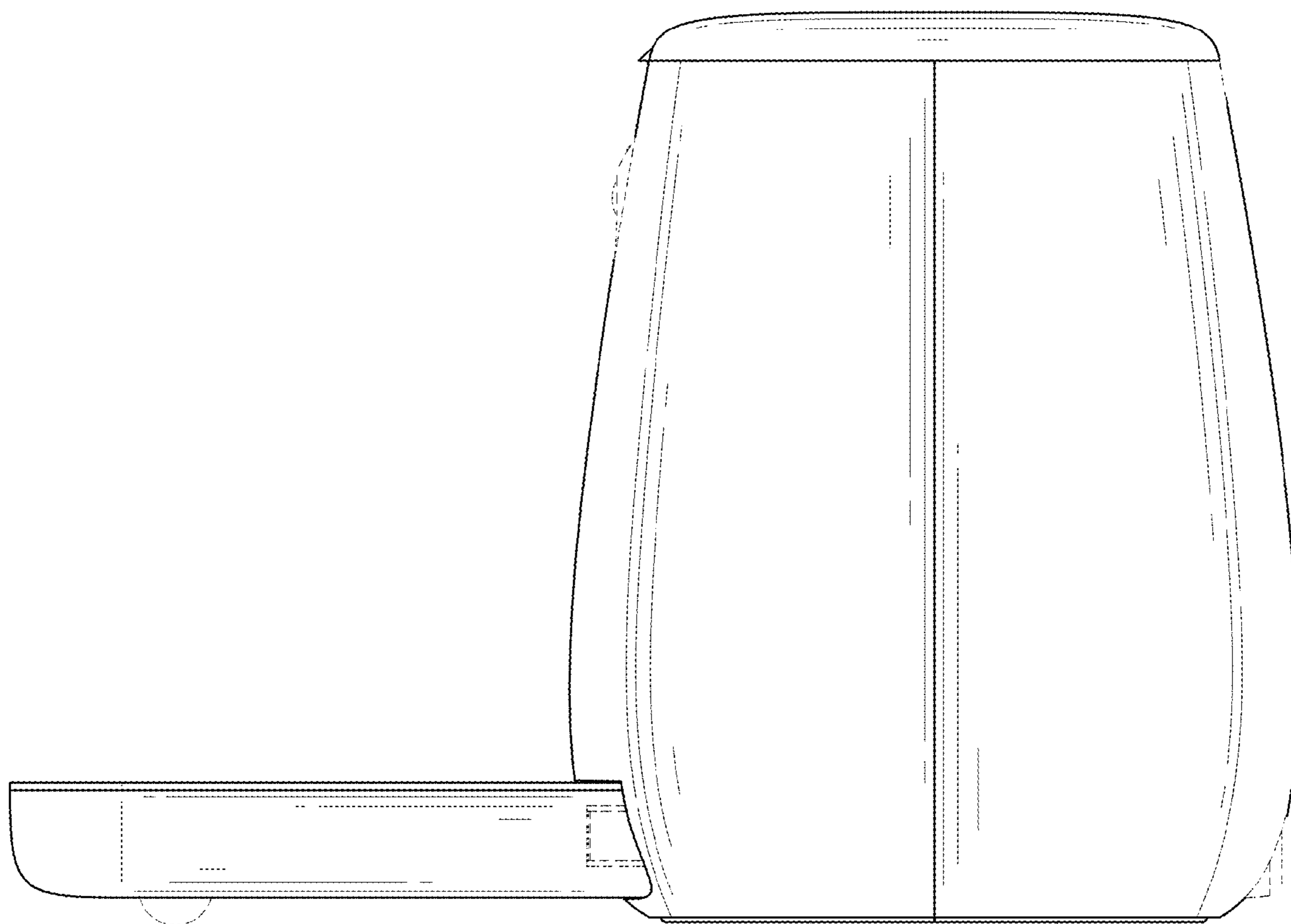


FIG. 6

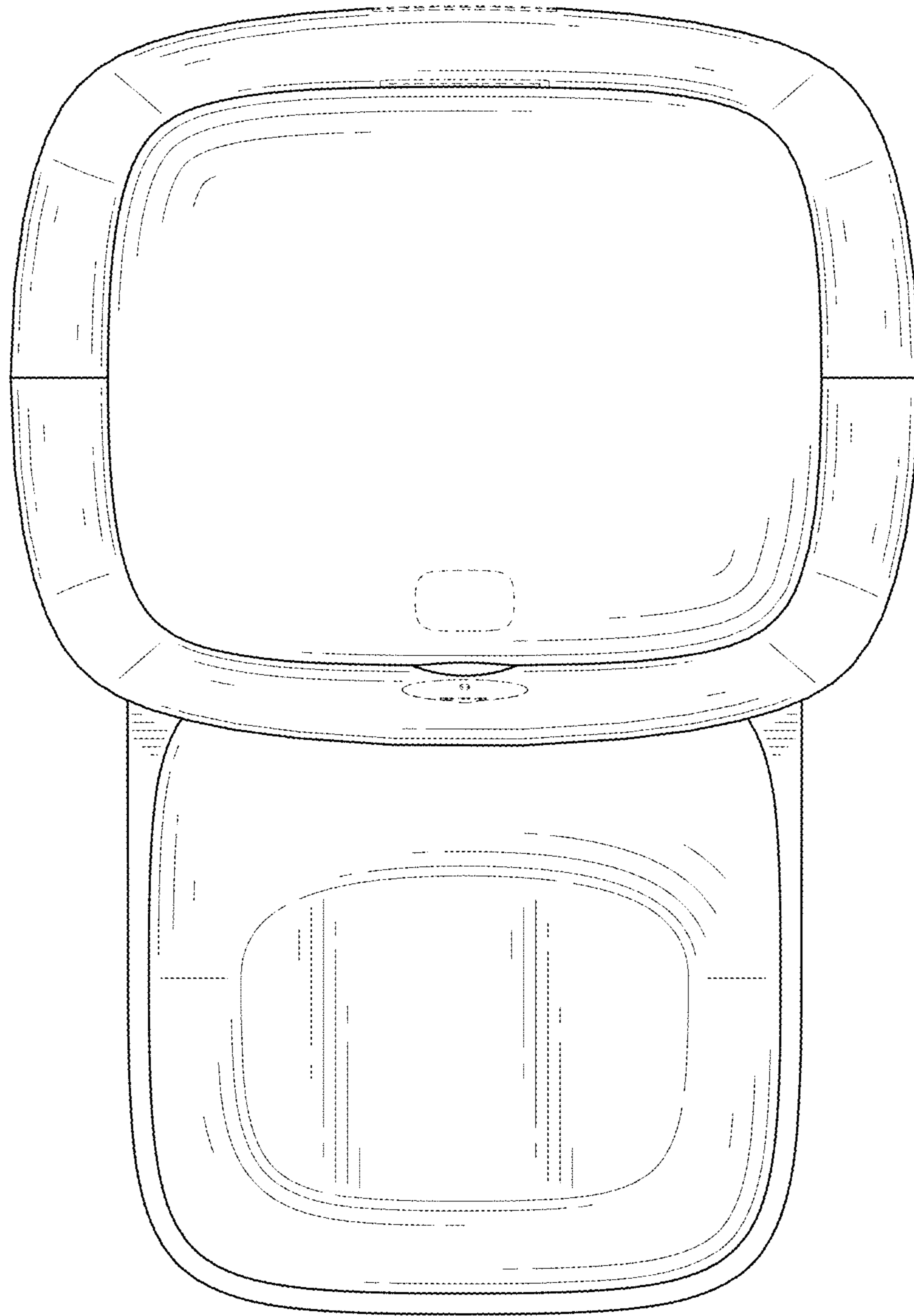


FIG. 7



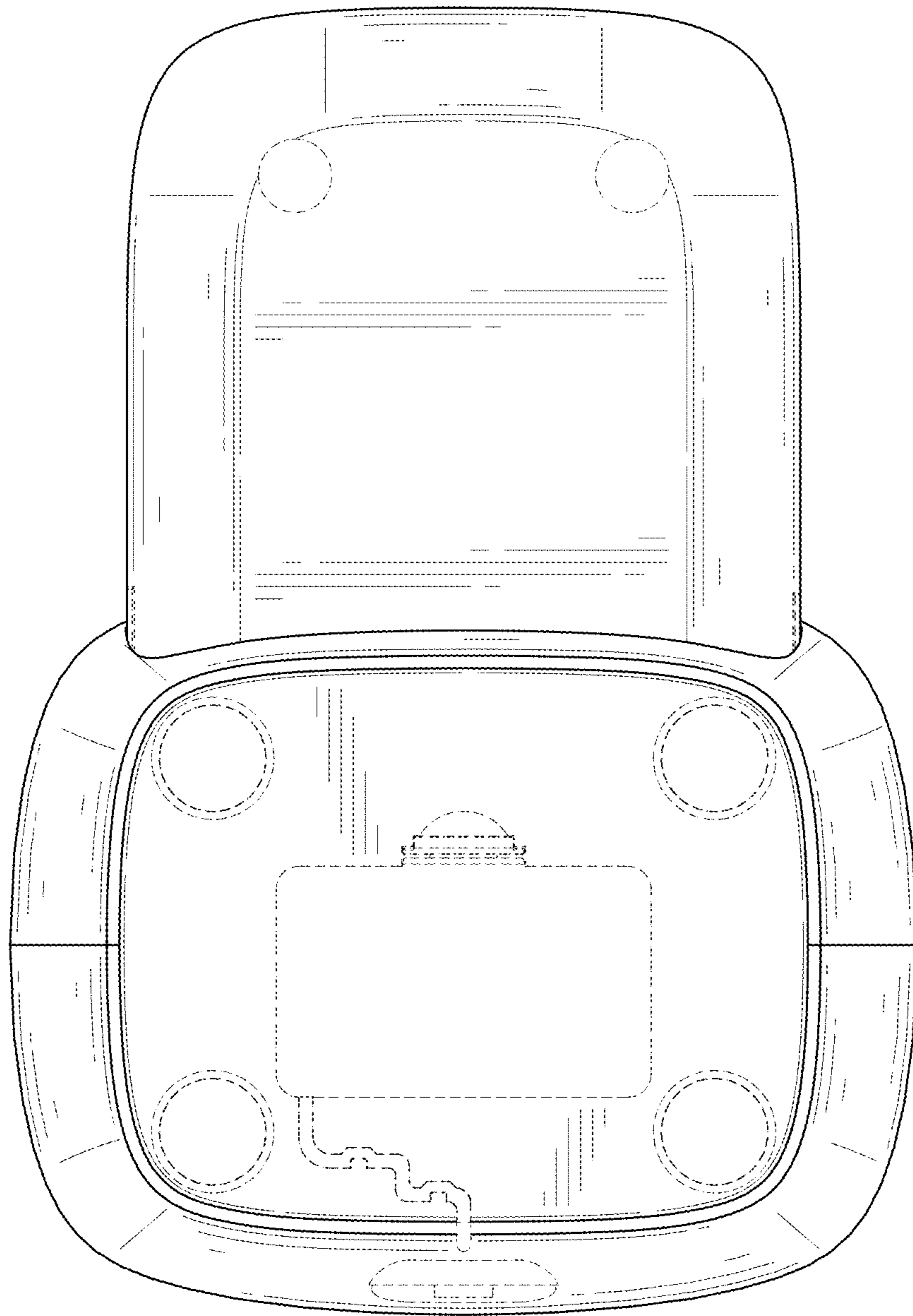


FIG. 8