



US00D897043S

(12) **United States Design Patent**  
**Wang**

(10) **Patent No.:** **US D897,043 S**

(45) **Date of Patent:** **\*\* Sep. 22, 2020**

(54) **SHAVER**

(71) Applicant: **Xiaojun Wang**, Zhejiang (CN)

(72) Inventor: **Xiaojun Wang**, Zhejiang (CN)

(\*\*) Term: **15 Years**

(21) Appl. No.: **29/687,892**

(22) Filed: **Apr. 16, 2019**

(51) **LOC (12) Cl.** ..... **28-03**

(52) **U.S. Cl.**  
USPC ..... **D28/51**

(58) **Field of Classification Search**  
USPC ..... D28/49, 51, 53, 54  
CPC .. B26B 19/3853-3866; B26B 19/3886; B26B  
19/20; B26B 19/205; B26B 19/22; B26B  
19/00-107  
See application file for complete search history.

(56) **References Cited**

**U.S. PATENT DOCUMENTS**

D495,833 S *	9/2004	McCambridge	.....	D28/53
D679,447 S *	4/2013	Colle	.....	D28/53
D718,495 S *	11/2014	Okabe	.....	D28/51
D751,252 S *	3/2016	Grabes	.....	D28/51

D799,752 S *	10/2017	Mori	.....	D28/53
D799,753 S *	10/2017	Ishikura	.....	D28/53
D800,965 S *	10/2017	Aulwes	.....	D28/53
10,300,619 B2 *	5/2019	Khubani	.....	B26B 19/46
D857,294 S *	8/2019	Levy	.....	D28/49
D857,298 S *	8/2019	De	.....	D28/53
10,391,649 B1 *	8/2019	Khubani	.....	B26B 19/3826
2005/0097757 A1 *	5/2005	McCambridge	.....	B26B 19/063 30/210
2018/0333875 A1 *	11/2018	Lau	.....	B26B 19/06

\* cited by examiner

*Primary Examiner* — Jennifer Rivard

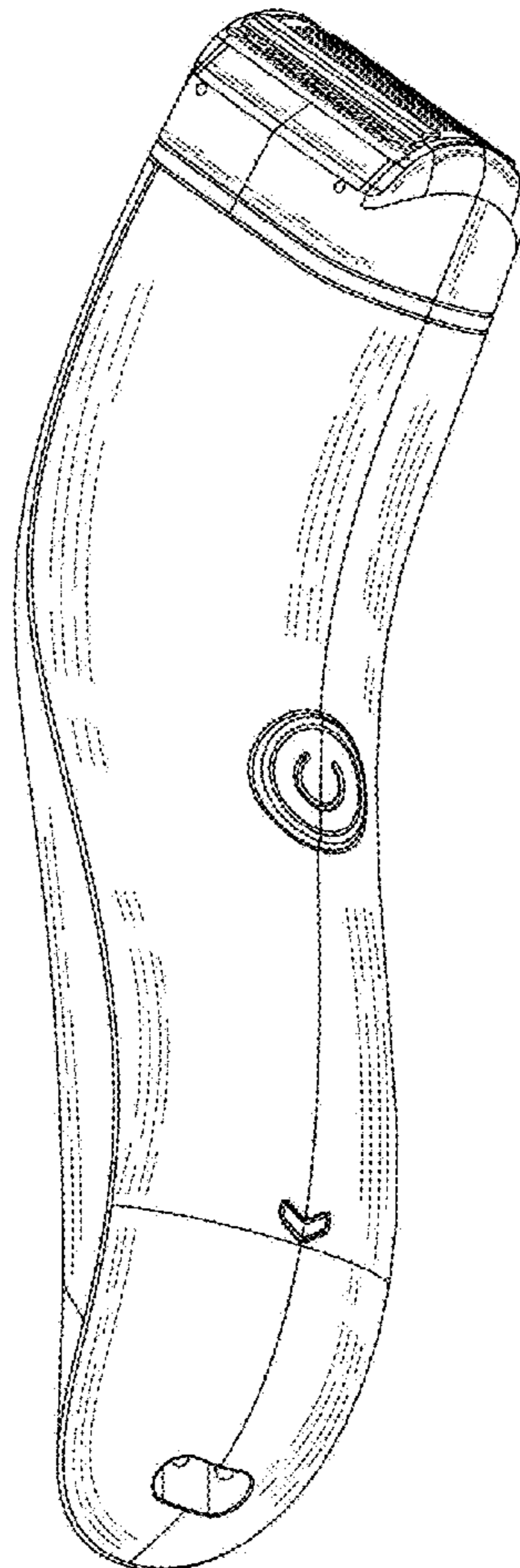
(57) **CLAIM**

I claim the ornamental design for the shaver, as shown and described.

**DESCRIPTION**

FIG. 1 is a perspective view of a shaver showing my new design;  
FIG. 2 is a front elevational view thereof;  
FIG. 3 is a rear elevational view thereof;  
FIG. 4 is a left side elevational view thereof;  
FIG. 5 is a right side elevational view thereof;  
FIG. 6 is a top plan view thereof; and,  
FIG. 7 is a bottom plan view thereof.

**1 Claim, 7 Drawing Sheets**



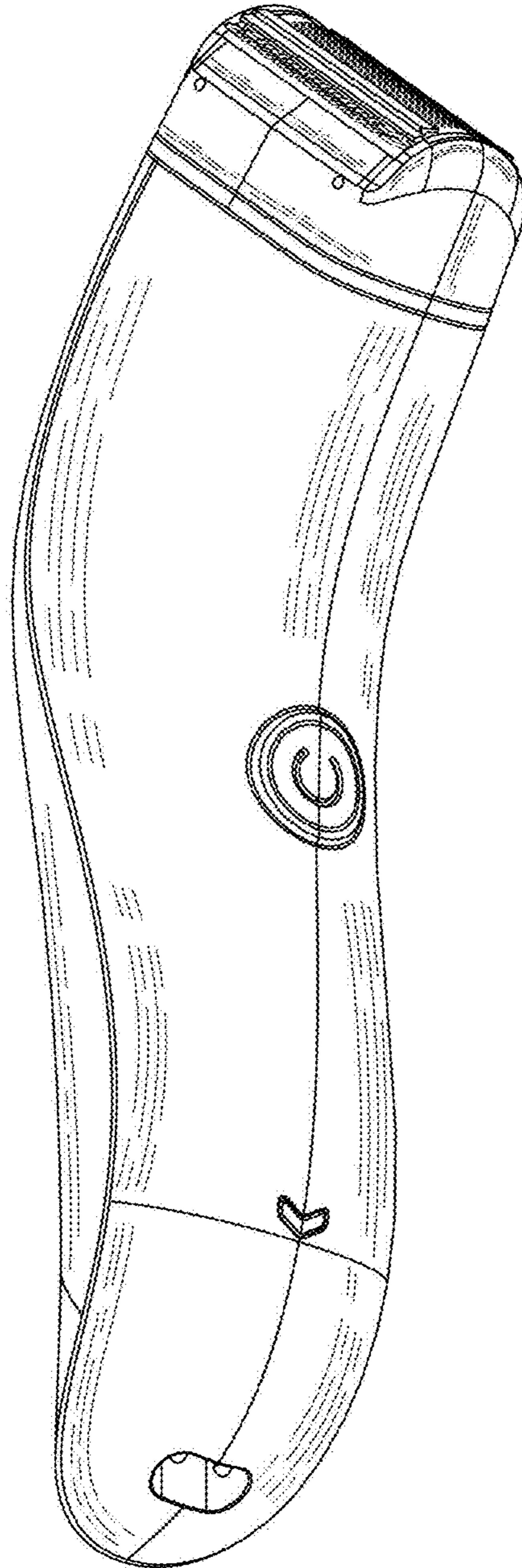


FIG. 1

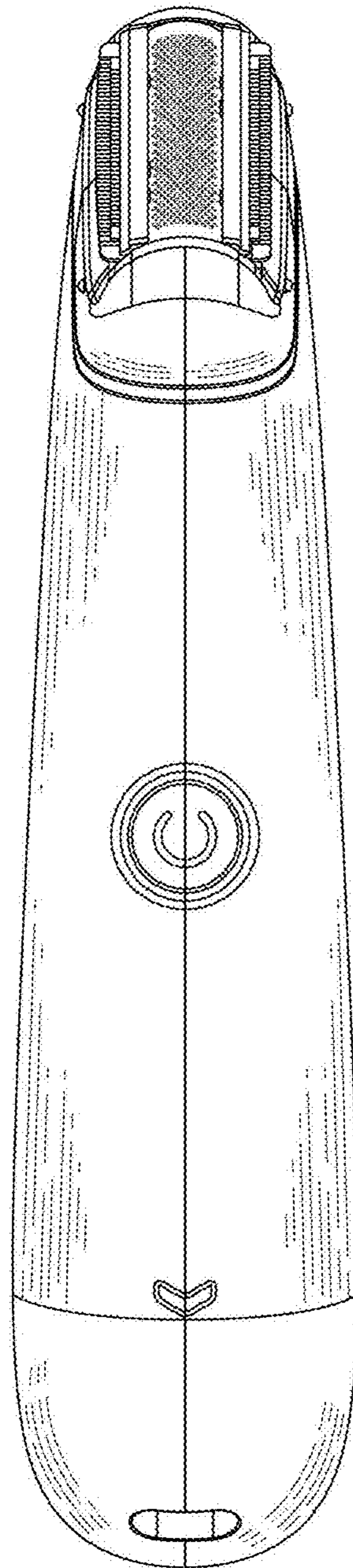


FIG. 2

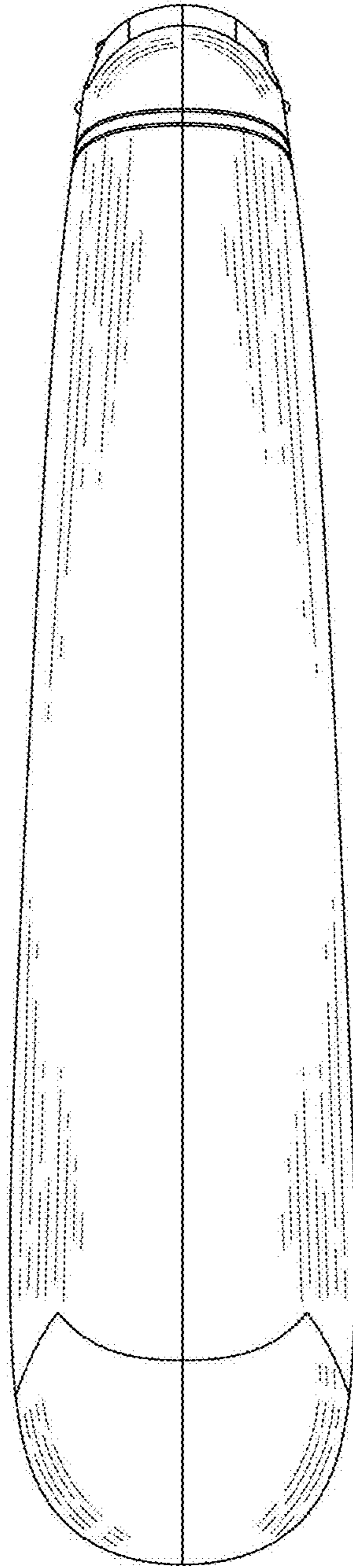


FIG. 3

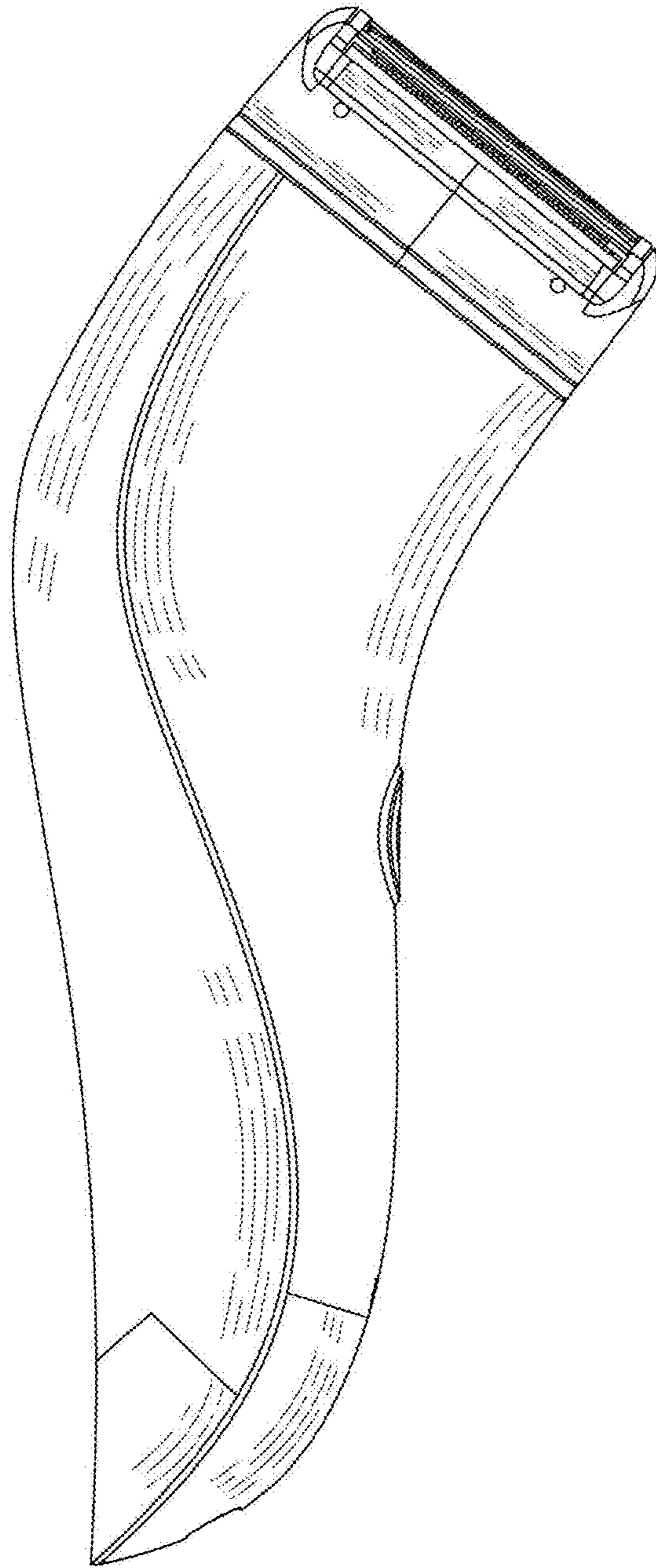


FIG. 4

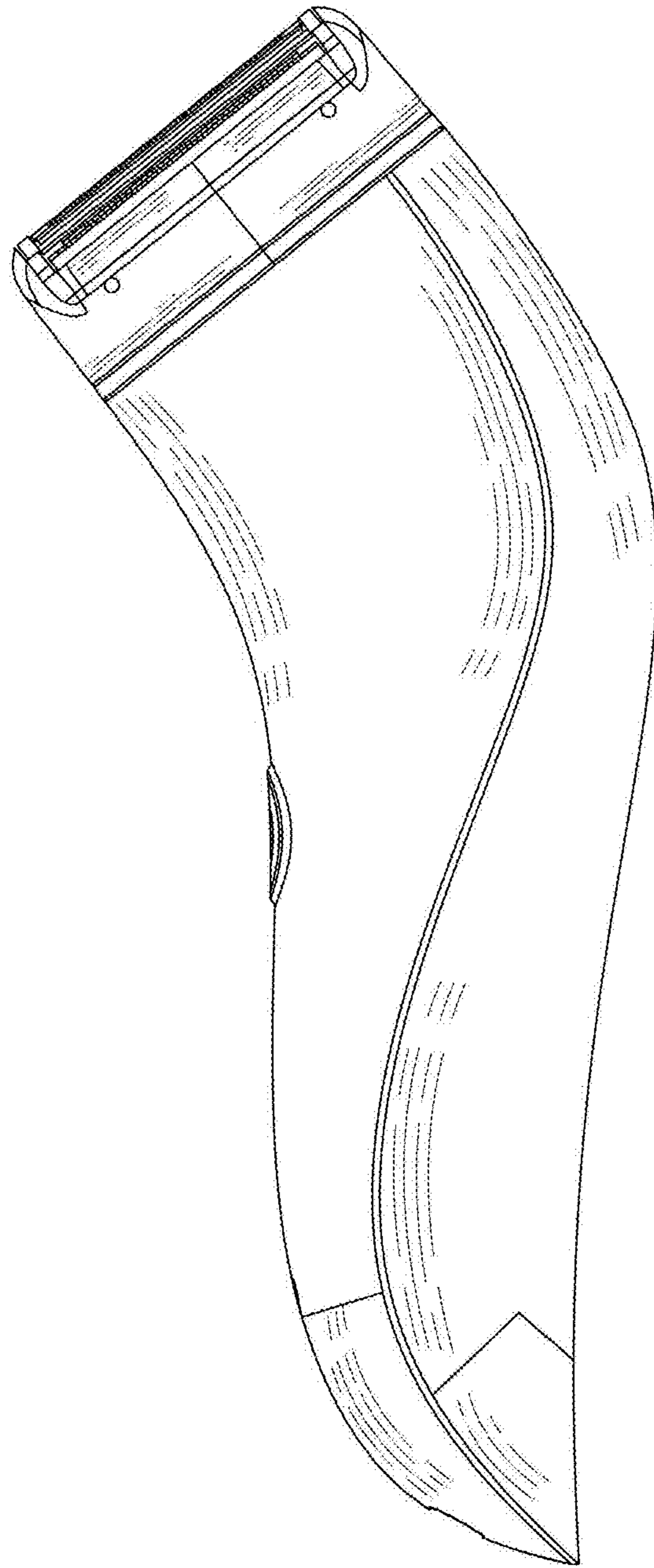


FIG. 5

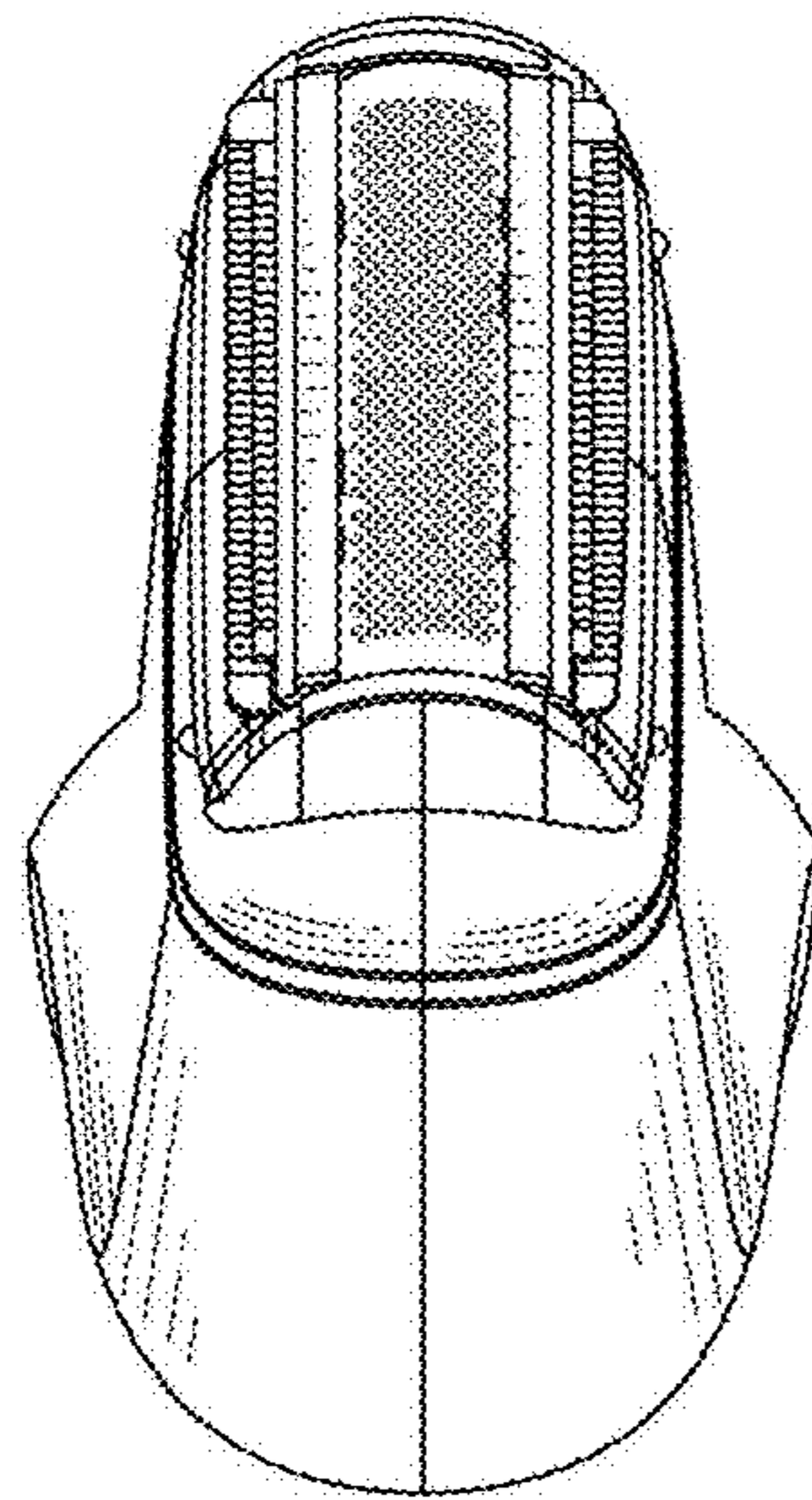


FIG. 6

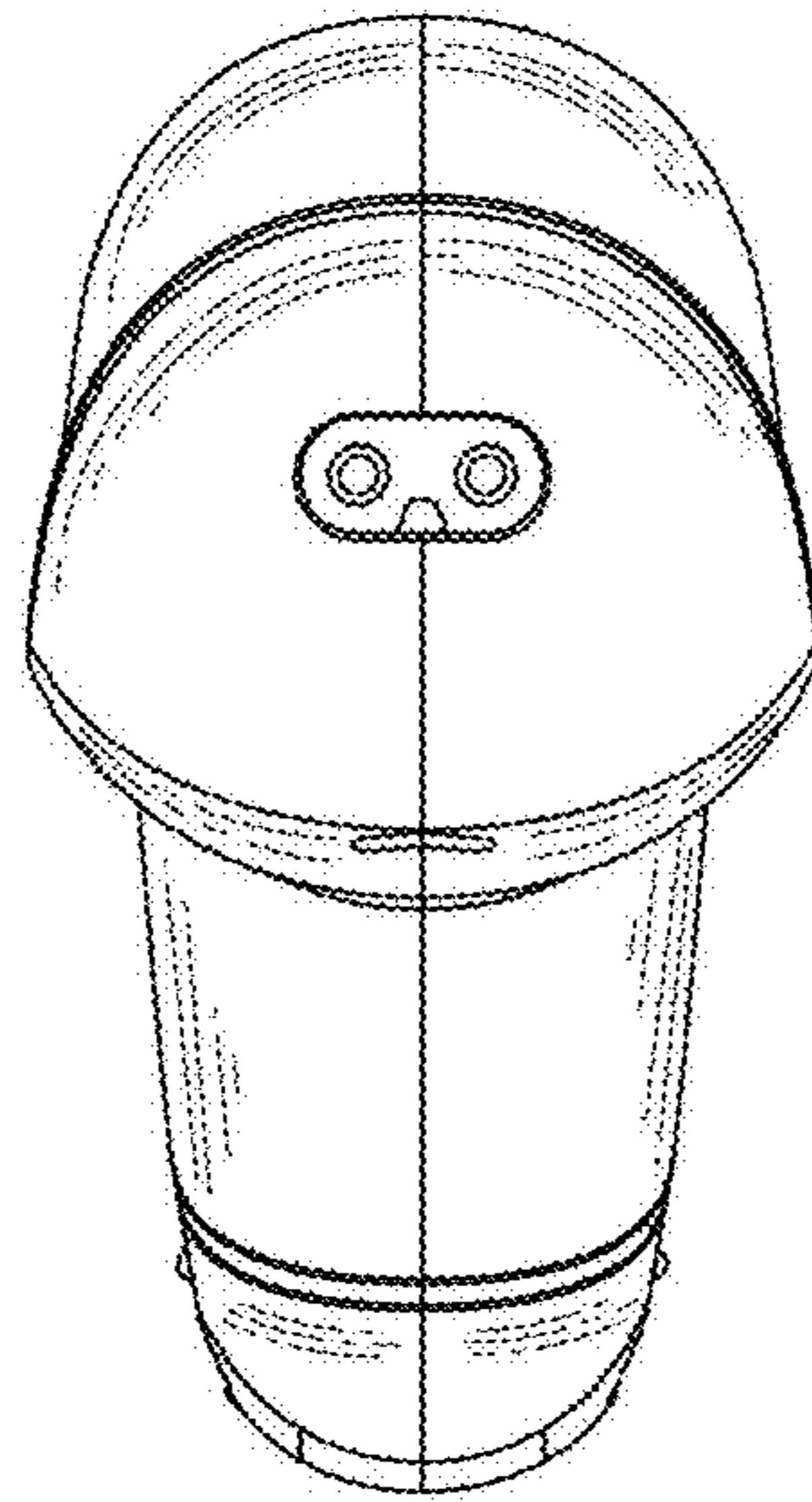


FIG. 7