



US00D897042S

(12) **United States Design Patent**
Wang

(10) **Patent No.:** **US D897,042 S**

(45) **Date of Patent:** **** Sep. 22, 2020**

(54) **SHAVER**

(71) Applicant: **Xiaojun Wang**, Zhejiang (CN)

(72) Inventor: **Xiaojun Wang**, Zhejiang (CN)

(**) Term: **15 Years**

(21) Appl. No.: **29/687,891**

(22) Filed: **Apr. 16, 2019**

(51) **LOC (12) Cl.** **28-03**

(52) **U.S. Cl.**
USPC **D28/51**

(58) **Field of Classification Search**
USPC D28/49, 51, 53, 54
CPC .. B26B 19/3853–3866; B26B 19/3886; B26B
19/20; B26B 19/205; B26B 19/22; B26B
19/00–107

See application file for complete search history.

(56) **References Cited**

U.S. PATENT DOCUMENTS

D479,359 S *	9/2003	Maesawa	D28/49
D590,542 S *	4/2009	Ullmann	D28/49
D590,543 S *	4/2009	Ullmann	D28/49
D621,096 S *	8/2010	Maguire	D28/51
D680,271 S *	4/2013	Grabes	D28/51
D690,880 S *	10/2013	Grabes	D28/51

D718,495 S *	11/2014	Okabe	D28/51
D751,252 S *	3/2016	Grabes	D28/51
D799,753 S *	10/2017	Ishikura	D28/53
D800,965 S *	10/2017	Aulwes	D28/53

OTHER PUBLICATIONS

https://www.amazon.com/APOSEN-Electric-Rechargeable-Waterproof-Cordless/dp/B085ZWYRG8/ref=cm_cr_arp_d_product_top?ie=UTF8 Aposen Shaver, www.amazon.com, reviewed as early as Aug. 2019, 1 page (Year: 2019).*

* cited by examiner

Primary Examiner — Jennifer Rivard

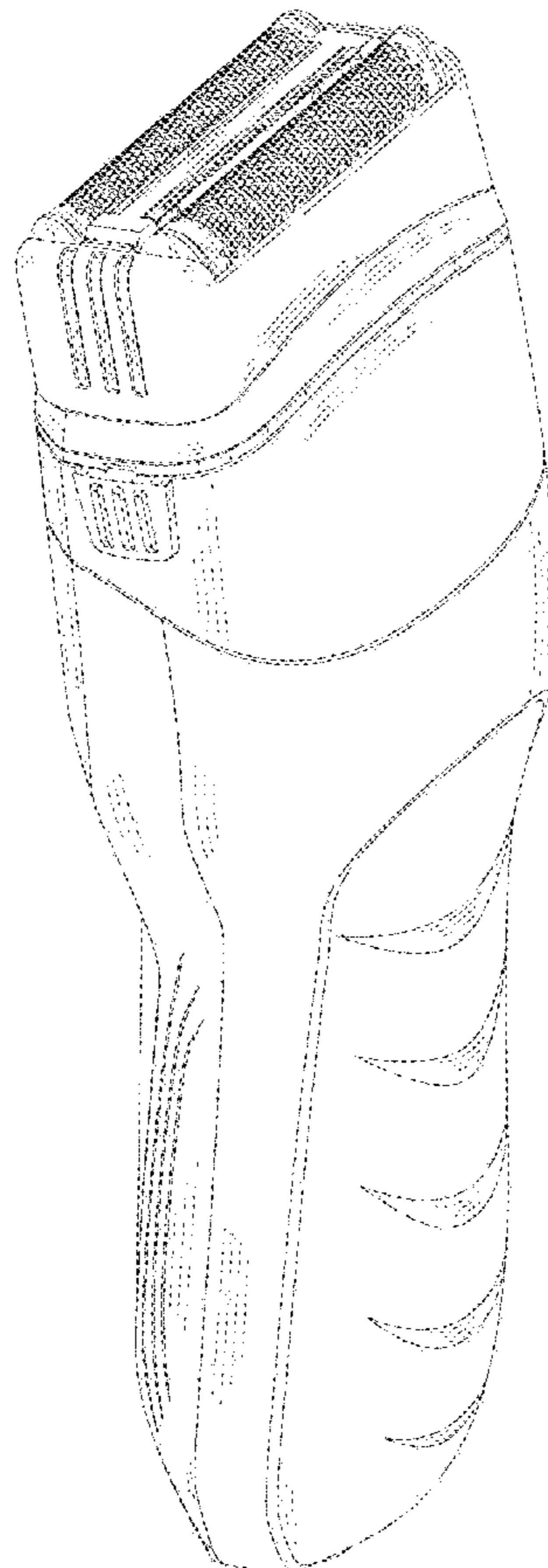
(57) **CLAIM**

I claim the ornamental design for the shaver, as shown and described.

DESCRIPTION

FIG. 1 is a perspective view of a shaver showing my new design;
FIG. 2 is a front elevational view thereof;
FIG. 3 is a rear elevational view thereof;
FIG. 4 is a left side elevational view thereof;
FIG. 5 is a right side elevational view thereof;
FIG. 6 is a top plan view thereof; and,
FIG. 7 is a bottom plan view thereof.

1 Claim, 7 Drawing Sheets



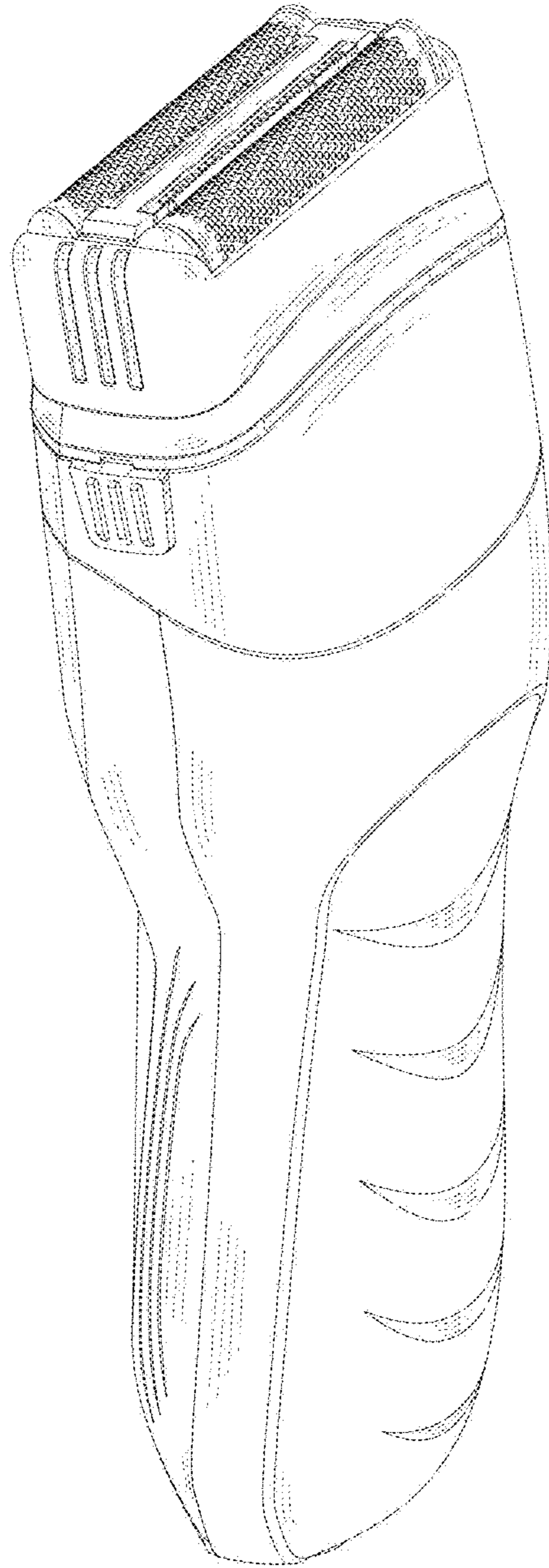


FIG. 1

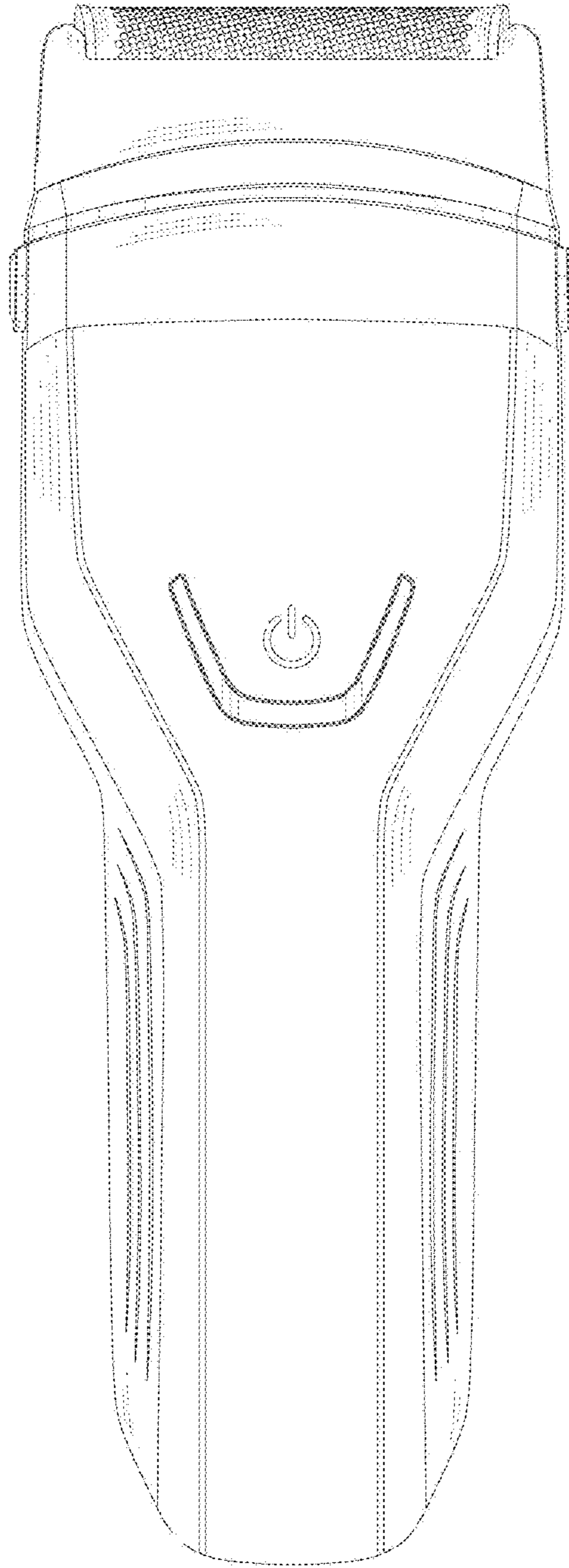


FIG. 2

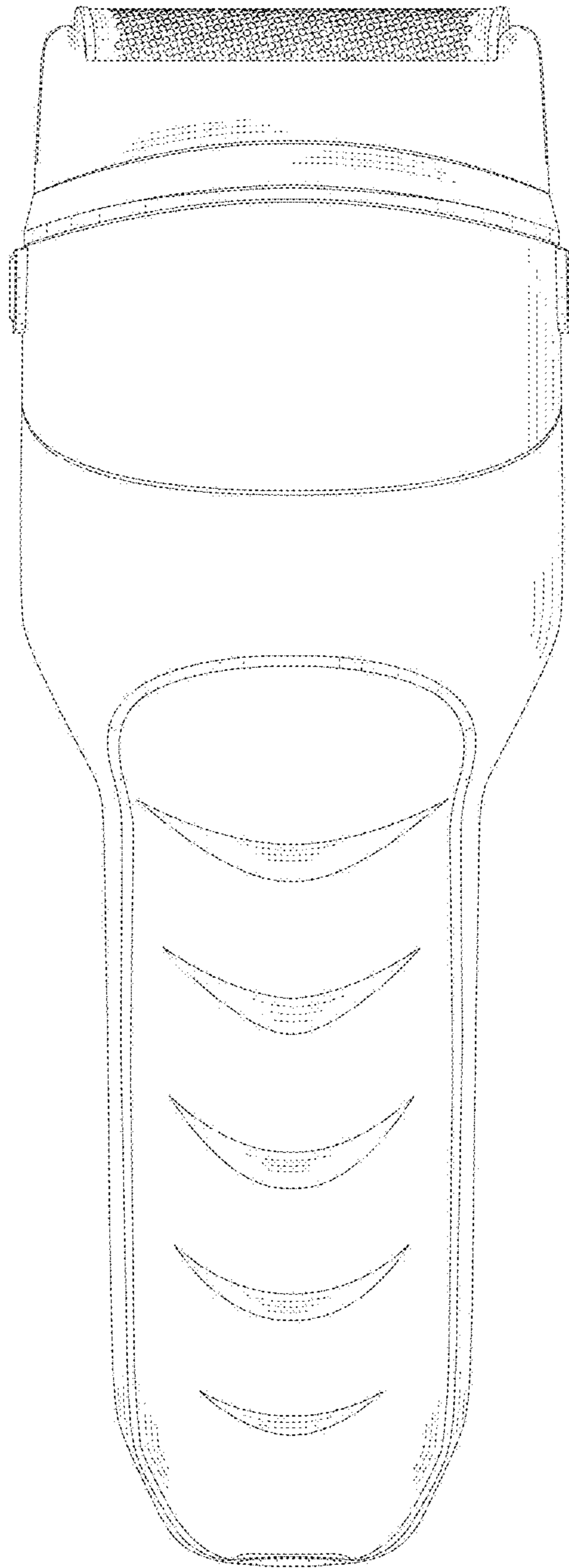


FIG. 3

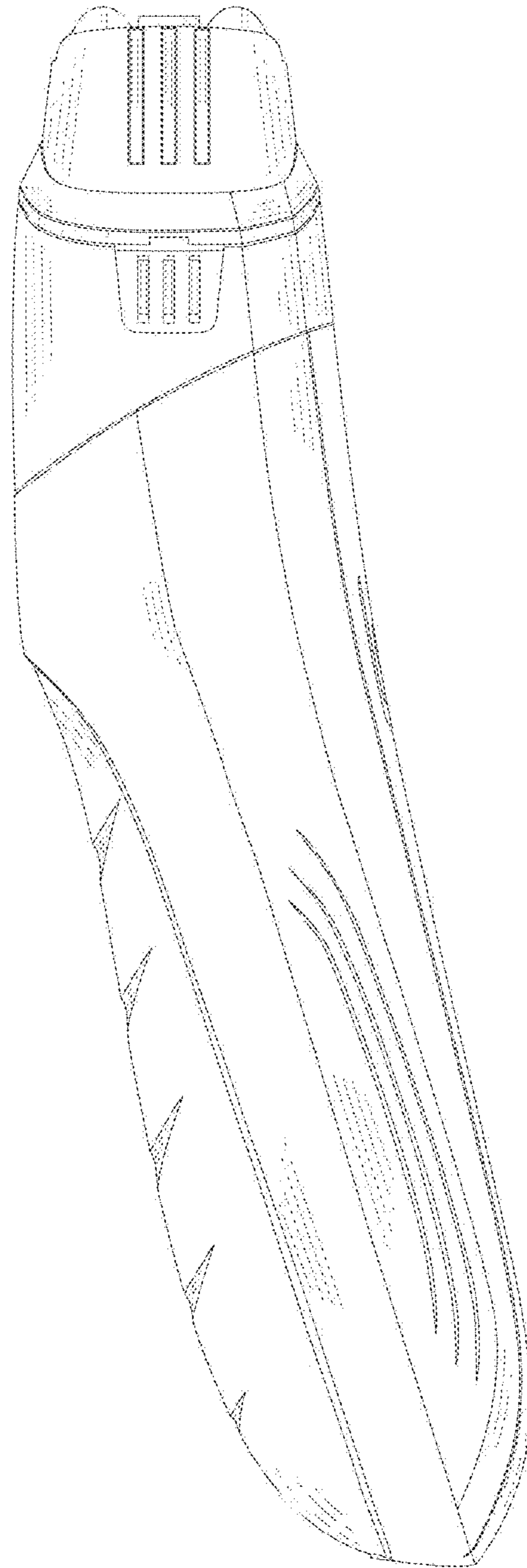


FIG. 4

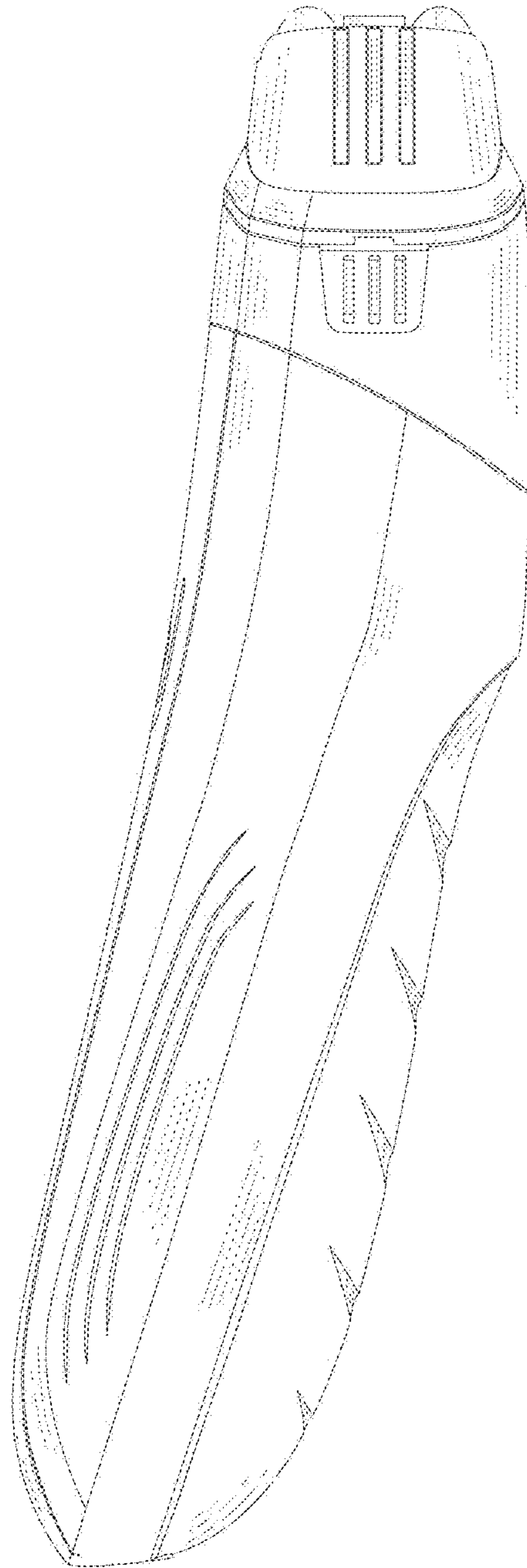


FIG. 5

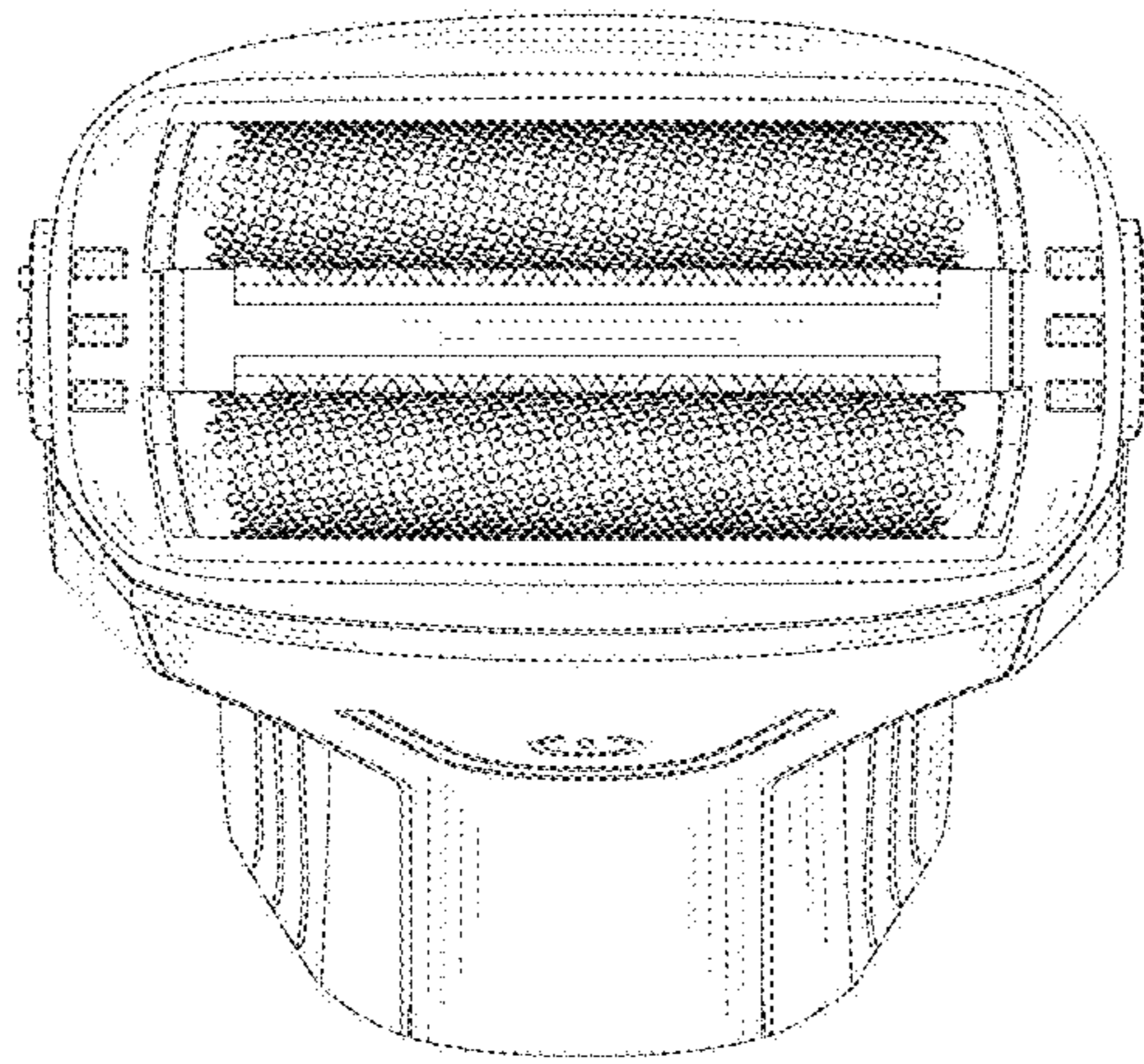


FIG. 6

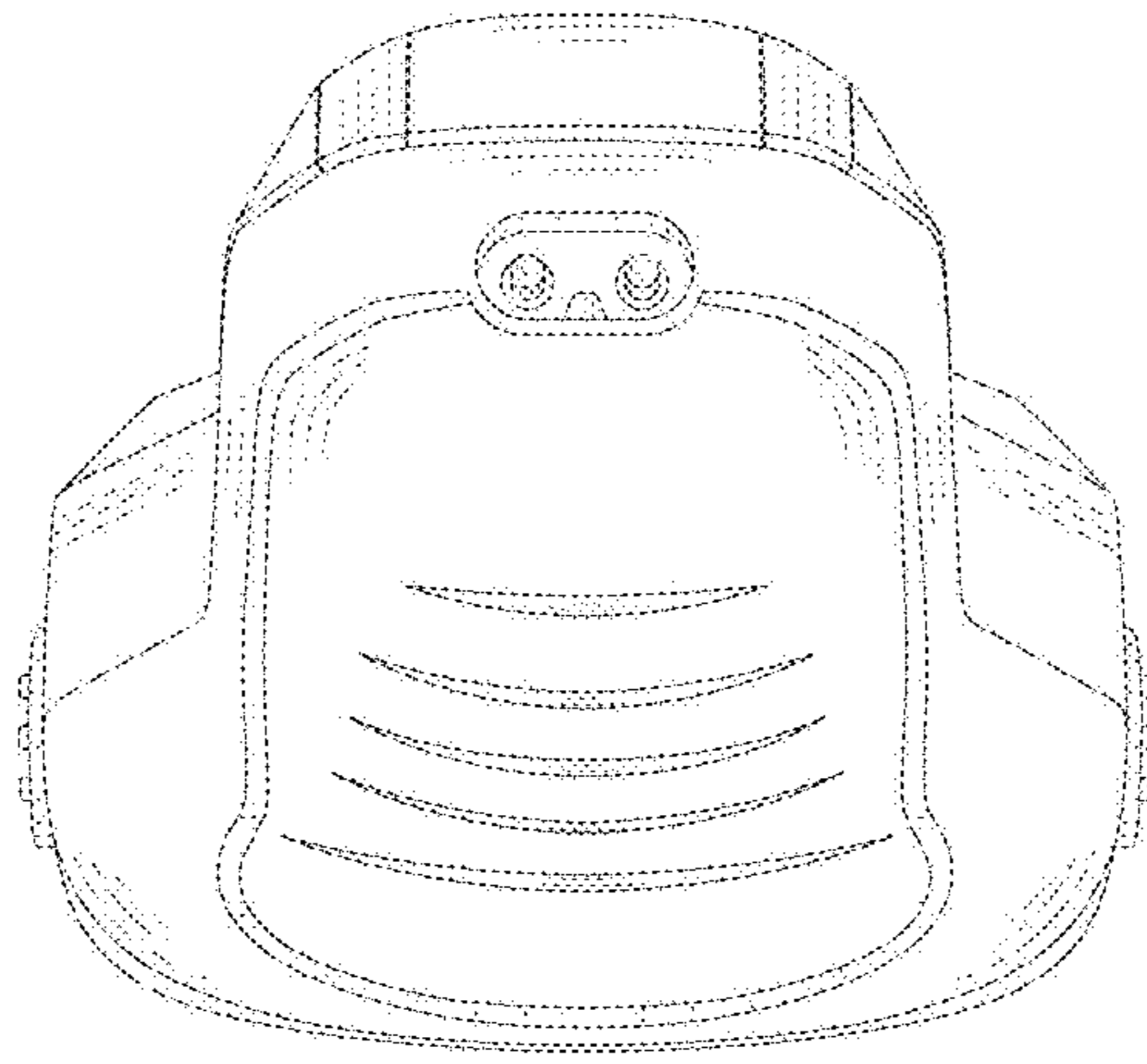


FIG. 7