



US00D897041S

(12) **United States Design Patent** (10) **Patent No.:** **US D897,041 S**  
**Ahn et al.** (45) **Date of Patent:** **\*\* Sep. 22, 2020**

(54) **RAZOR CARTRIDGE**  
(71) Applicant: **DORCO CO., LTD.**, Seoul (KR)  
(72) Inventors: **Hyosun Ahn**, Seoul (KR); **Seungmi Shin**, Seoul (KR); **Jae Woong Lee**, Seoul (KR)  
(73) Assignee: **DORCO CO., LTD.**, Seoul (KR)  
(\*\*) Term: **15 Years**  
(21) Appl. No.: **29/671,437**  
(22) Filed: **Nov. 27, 2018**

D698,998 S \* 2/2014 Lukan ..... D28/46  
D698,999 S \* 2/2014 Otsuka ..... D28/47  
8,973,272 B2 \* 3/2015 Moon ..... B26B 21/225  
30/41  
D772,484 S \* 11/2016 Otsuka ..... D28/47  
D829,380 S \* 9/2018 Kong ..... D28/47  
D866,858 S \* 11/2019 Long ..... D28/47  
D872,937 S \* 1/2020 Kottidi ..... D28/47  
2007/0266564 A1 \* 11/2007 Gratsias ..... B29C 66/5346  
30/32  
2008/0034590 A1 \* 2/2008 Prudden, Jr. .... B26B 21/4018  
30/34.2  
2015/0158191 A1 \* 6/2015 Jeong ..... B26B 21/4018  
30/41  
2019/0351568 A1 \* 11/2019 Kim ..... B26B 21/4012  
2019/0365079 A1 \* 12/2019 Bourque ..... A45D 27/00

\* cited by examiner

(30) **Foreign Application Priority Data**  
May 28, 2018 (KR) ..... 30-2018-0024726  
(51) **LOC (12) Cl.** ..... **28-03**  
(52) **U.S. Cl.**  
USPC ..... **D28/47**  
(58) **Field of Classification Search**  
USPC ..... D28/45-48  
CPC . B26B 21/40; B26B 21/4006; B26B 21/4012;  
B26B 21/4018; B26B 21/4025; B26B  
21/4031; B26B 21/4068; B26B 21/4075;  
B26B 21/4081; B26B 21/4087; B26B  
21/442; B26B 21/54-60  
See application file for complete search history.

*Primary Examiner* — Jennifer Rivard  
(74) *Attorney, Agent, or Firm* — Lee, Hong, Degerman,  
Kang & Waimey

(56) **References Cited**  
U.S. PATENT DOCUMENTS  
D542,972 S \* 5/2007 Pryor ..... D28/47  
D559,454 S \* 1/2008 Padain ..... D28/47  
D563,044 S \* 2/2008 Ramm ..... D28/47  
D630,378 S \* 1/2011 Jung ..... D28/47  
7,882,610 B2 \* 2/2011 Gratsias ..... B29C 66/836  
29/524.1  
D638,580 S \* 5/2011 Adams ..... D28/46

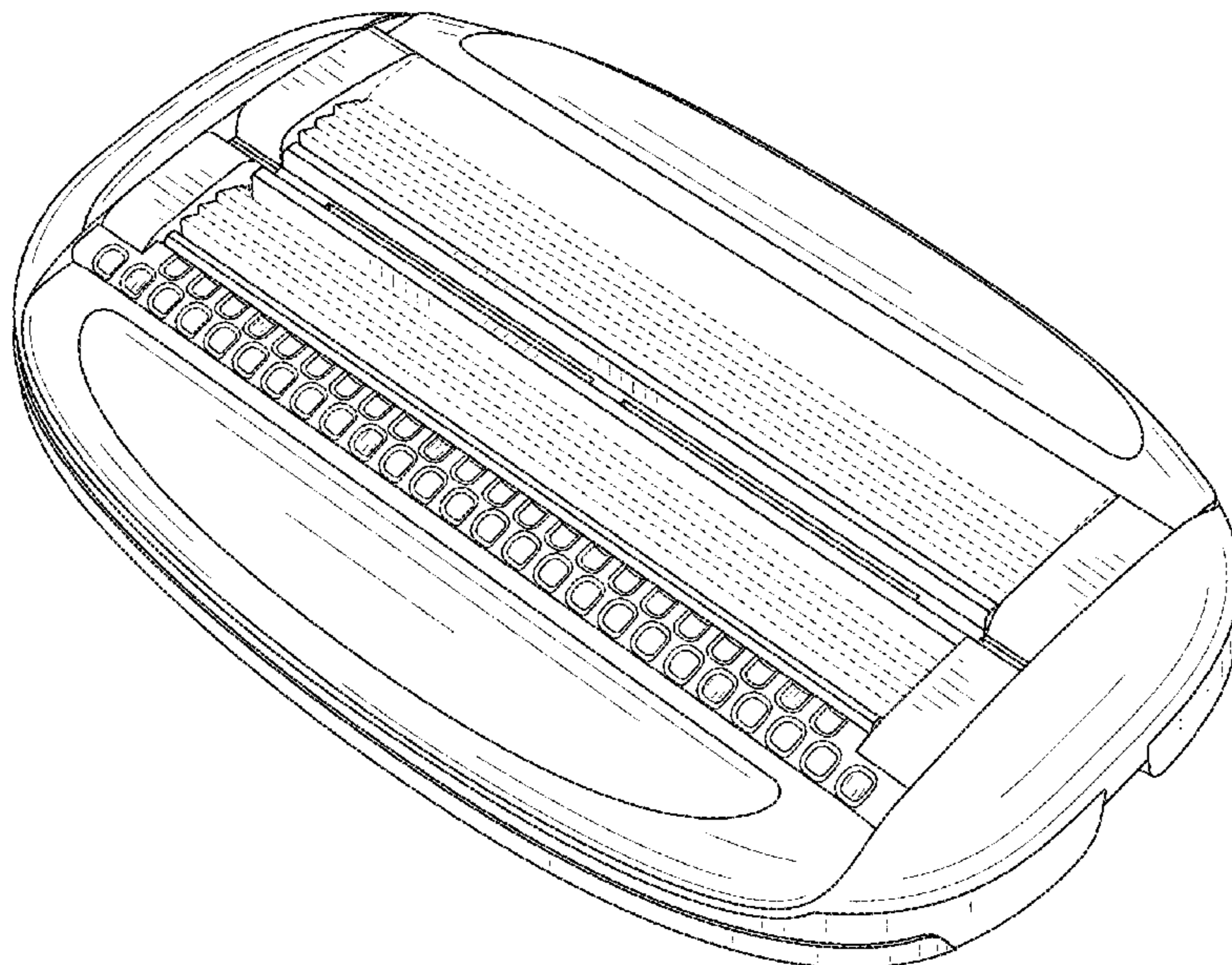
(57) **CLAIM**

The ornamental design for a razor cartridge, as shown and described.

**DESCRIPTION**

FIG. 1 is a perspective view of a razor cartridge showing the new design;  
FIG. 2 is a front view thereof;  
FIG. 3 is a rear view thereof;  
FIG. 4 is a left side view thereof;  
FIG. 5 is a right side view thereof;  
FIG. 6 is a top view thereof; and,  
FIG. 7 is a bottom view thereof.  
The broken lines illustrate portions of the razor cartridge and form no part of the claimed design.

**1 Claim, 7 Drawing Sheets**



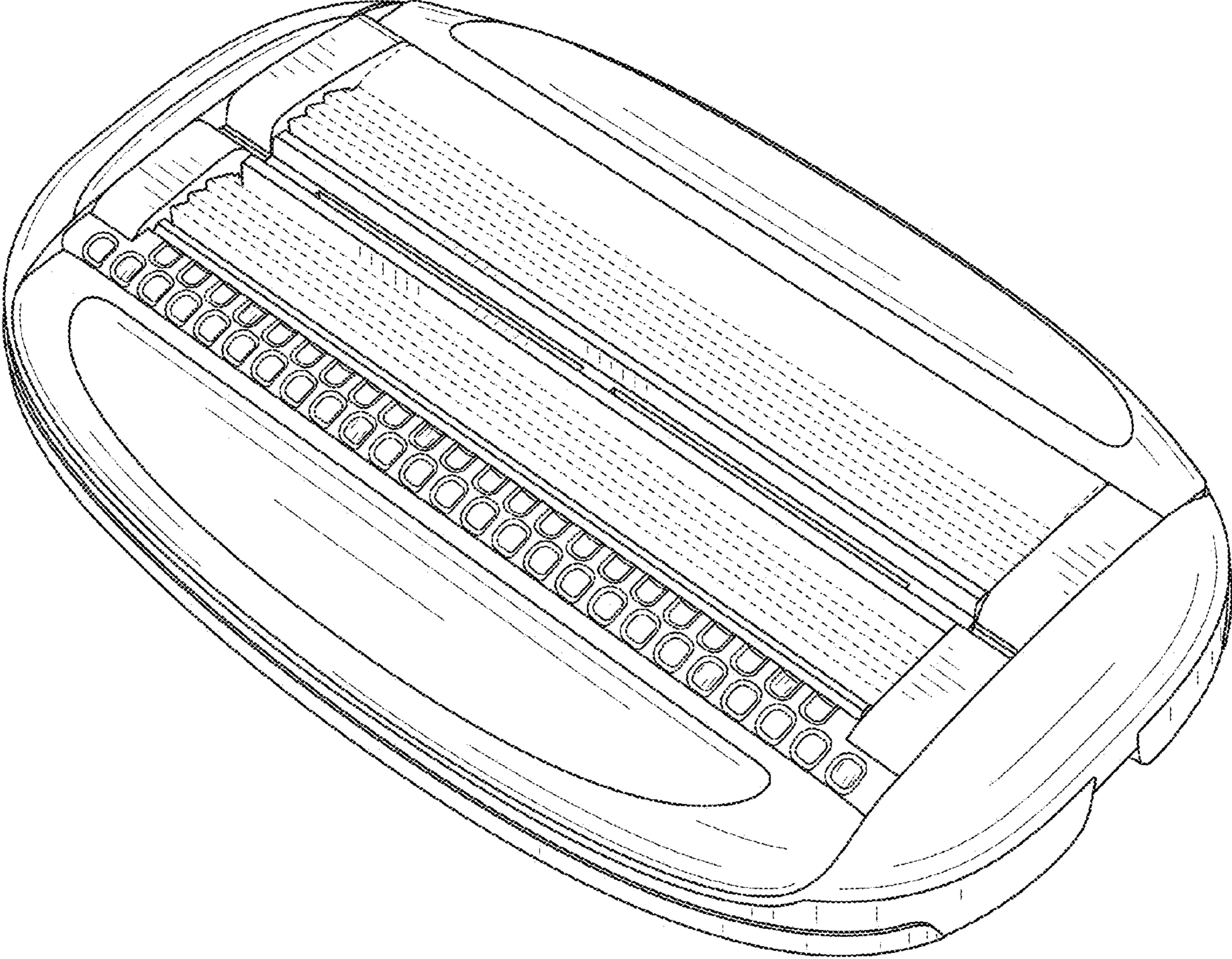


FIG. 1

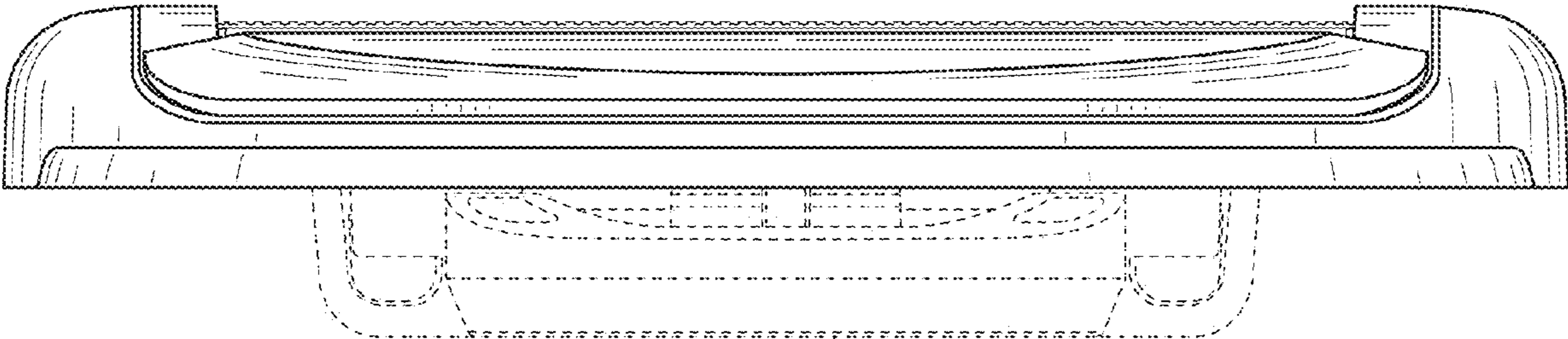


FIG. 2

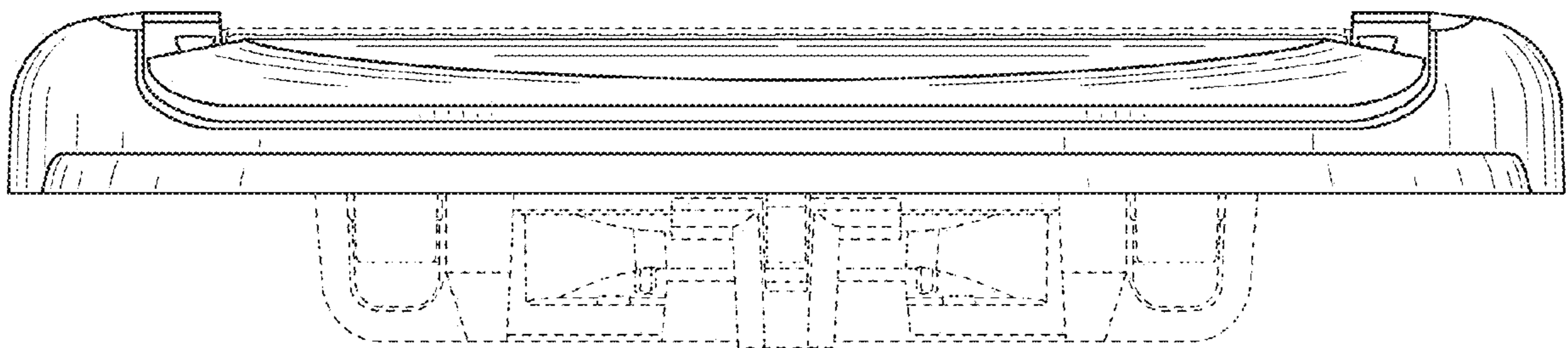


FIG. 3

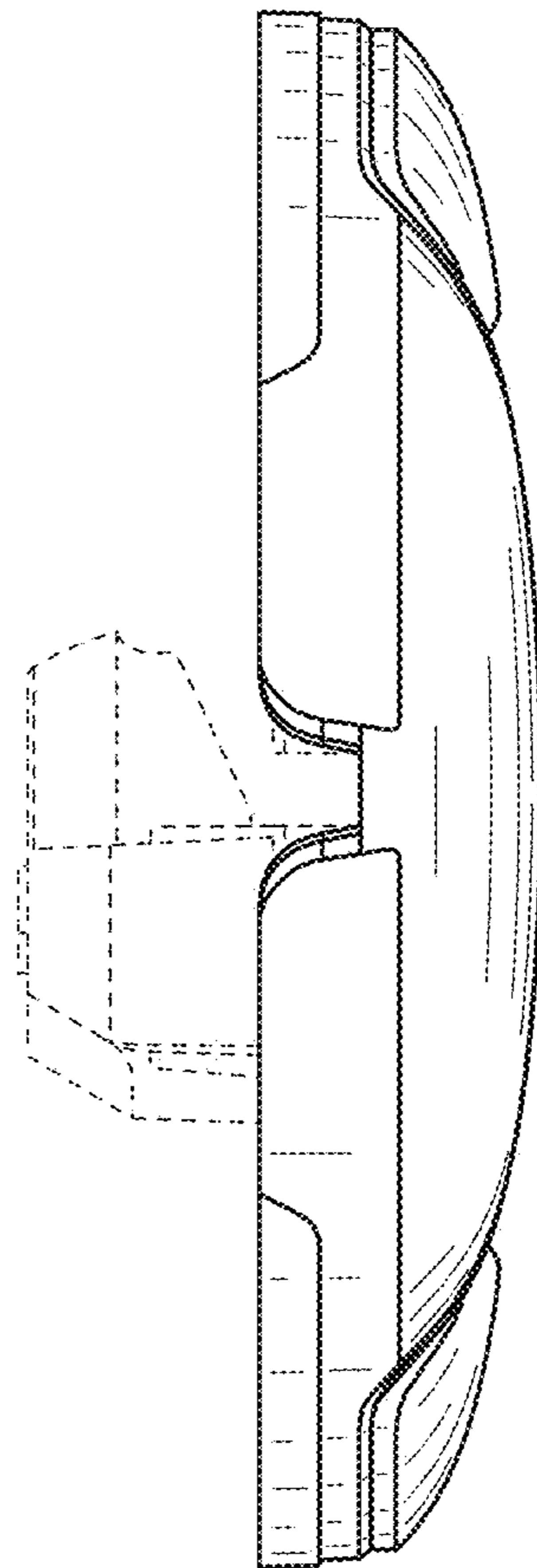


FIG. 4

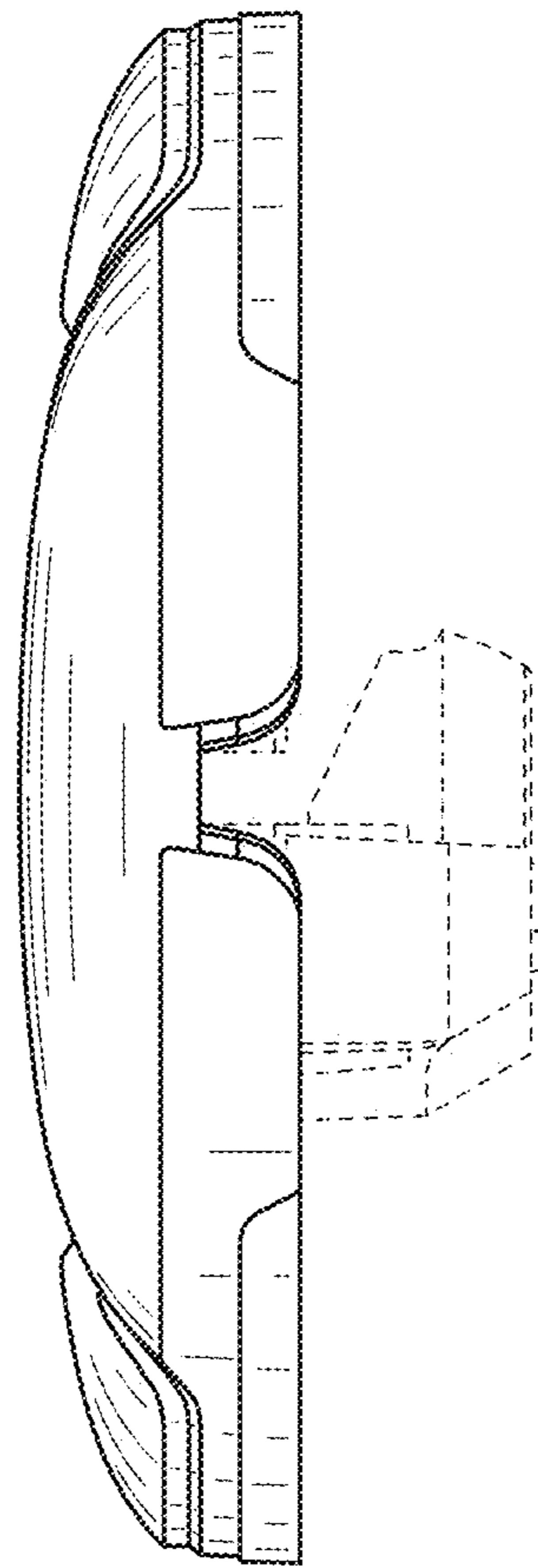


FIG. 5

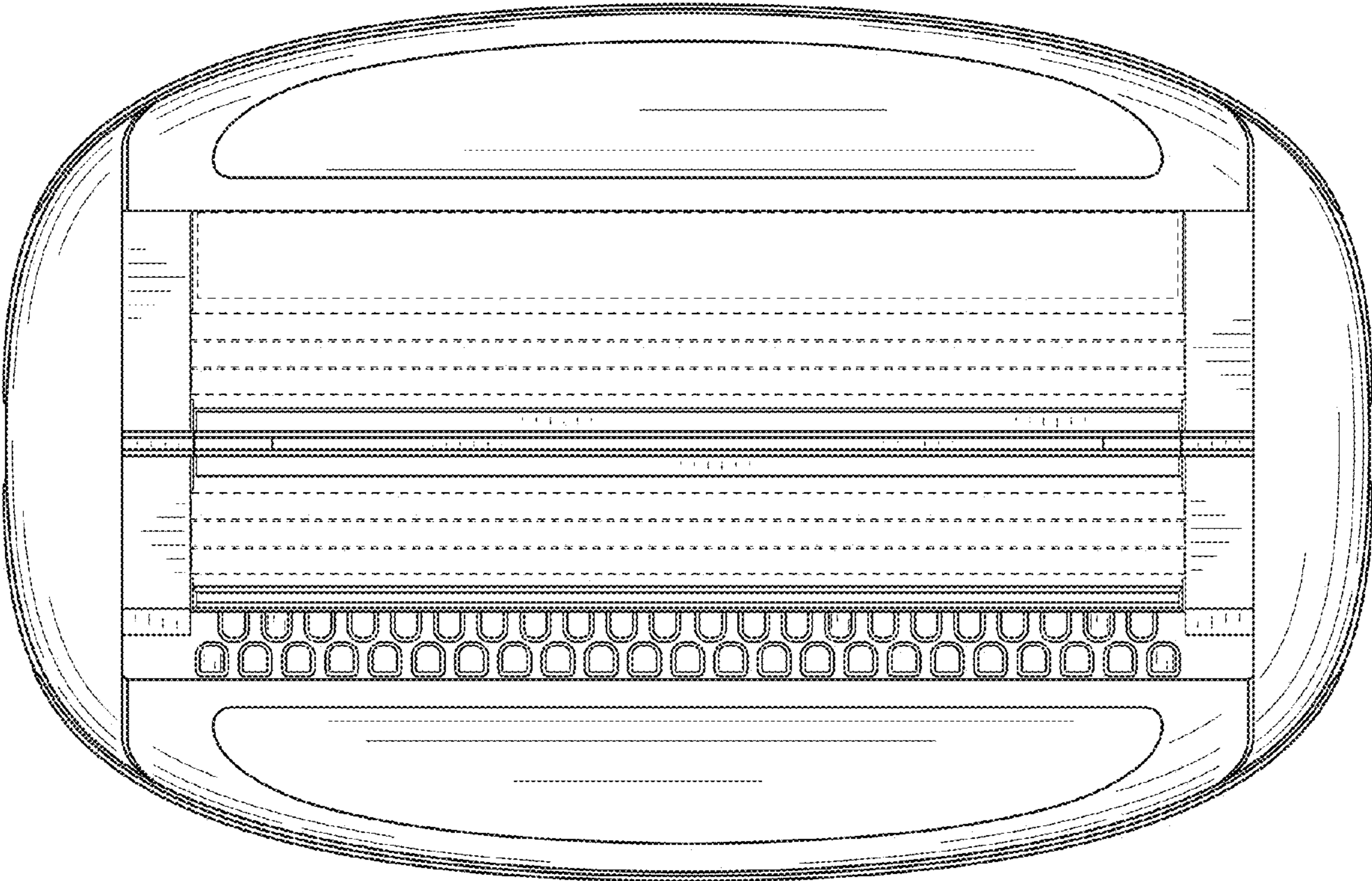


FIG. 6

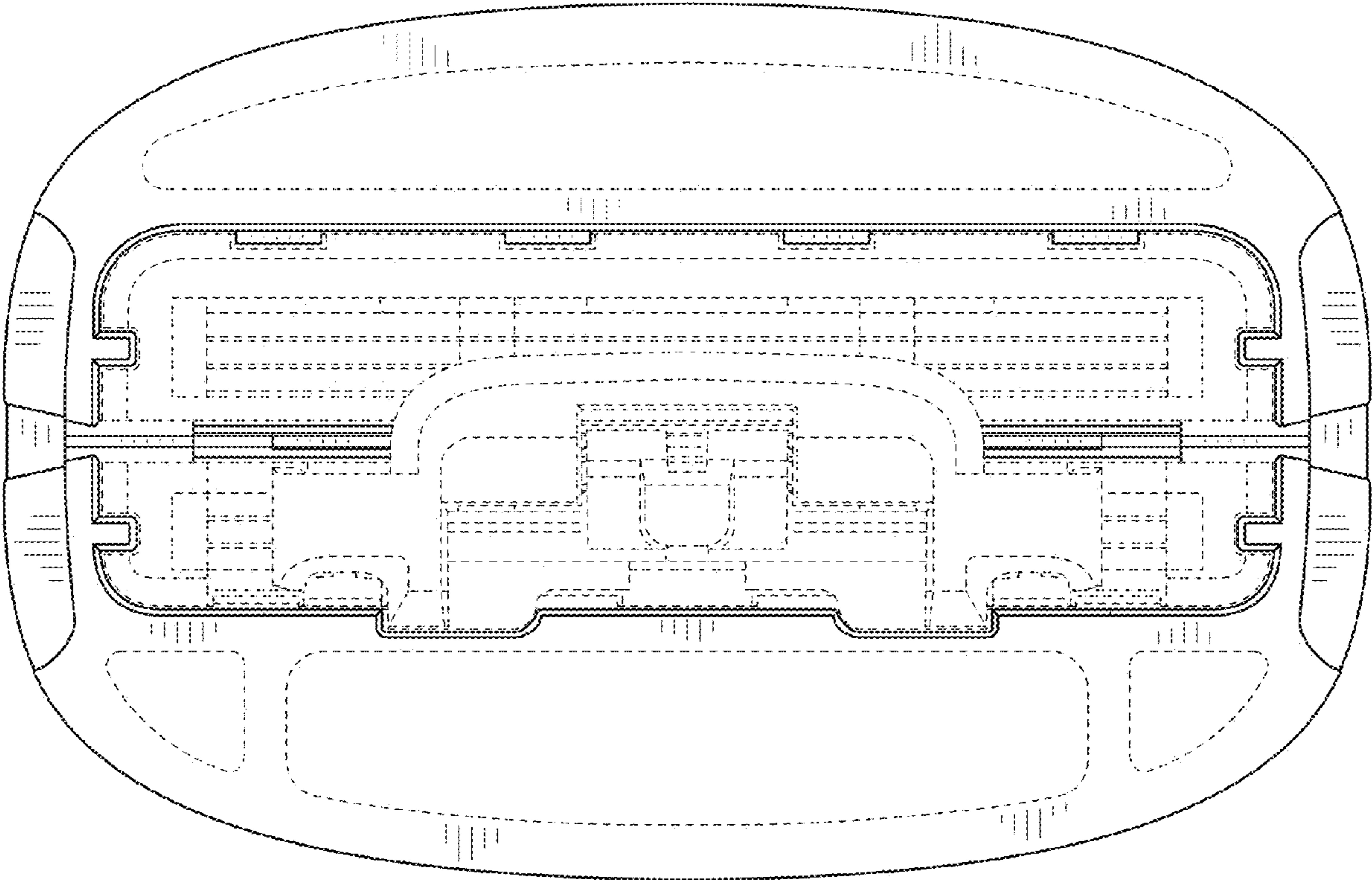


FIG. 7