

US00D897040S

(12) **United States Design Patent**
Kong et al.

(10) **Patent No.:** **US D897,040 S**

(45) **Date of Patent:** **** Sep. 22, 2020**

(54) **RAZOR CARTRIDGE**
(71) Applicant: **DORCO CO., LTD.**, Seoul (KR)
(72) Inventors: **Namyoon Kong**, Seoul (KR); **Hyosun Ahn**, Seoul (KR)
(73) Assignee: **DORCO CO., LTD.**, Seoul (KR)
(**) Term: **15 Years**
(21) Appl. No.: **29/671,434**
(22) Filed: **Nov. 27, 2018**

D638,580 S * 5/2011 Adams D28/46
D698,998 S * 2/2014 Lukan D28/46
D698,999 S * 2/2014 Otsuka D28/47
8,973,272 B2 * 3/2015 Moon B26B 21/225
30/41
D772,484 S * 11/2016 Otsuka D28/47
D829,380 S * 9/2018 Kong D28/47
D866,858 S * 11/2019 Long D28/47
D872,937 S * 1/2020 Kottidi D28/47
2007/0266564 A1 * 11/2007 Gratsias B29C 66/5346
30/32
2008/0034590 A1 * 2/2008 Prudden, Jr. B26B 21/4018
30/34.2
2015/0158191 A1 * 6/2015 Jeong B26B 21/4018
30/41
2019/0351568 A1 * 11/2019 Kim B26B 21/4012
2019/0365079 A1 * 12/2019 Bourque A45D 27/00

(30) **Foreign Application Priority Data**

May 28, 2018 (KR) 30-2018-0024723

(51) **LOC (12) Cl.** **28-03**

(52) **U.S. Cl.**
USPC **D28/47**

(58) **Field of Classification Search**
USPC D28/45-48
CPC . B26B 21/40; B26B 21/4006; B26B 21/4012;
B26B 21/4018; B26B 21/4025; B26B
21/4031; B26B 21/4068; B26B 21/4075;
B26B 21/4081; B26B 21/4087; B26B
21/442; B26B 21/54-60
See application file for complete search history.

(56) **References Cited**

U.S. PATENT DOCUMENTS

D542,972 S * 5/2007 Pryor D28/47
D559,454 S * 1/2008 Padain D28/47
D563,044 S * 2/2008 Ramm D28/47
D630,378 S * 1/2011 Jung D28/47
7,882,610 B2 * 2/2011 Gratsias B29C 66/836
29/524.1

* cited by examiner

Primary Examiner — Jennifer Rivard

(74) *Attorney, Agent, or Firm* — Lee, Hong, Degerman,
Kang & Waimey

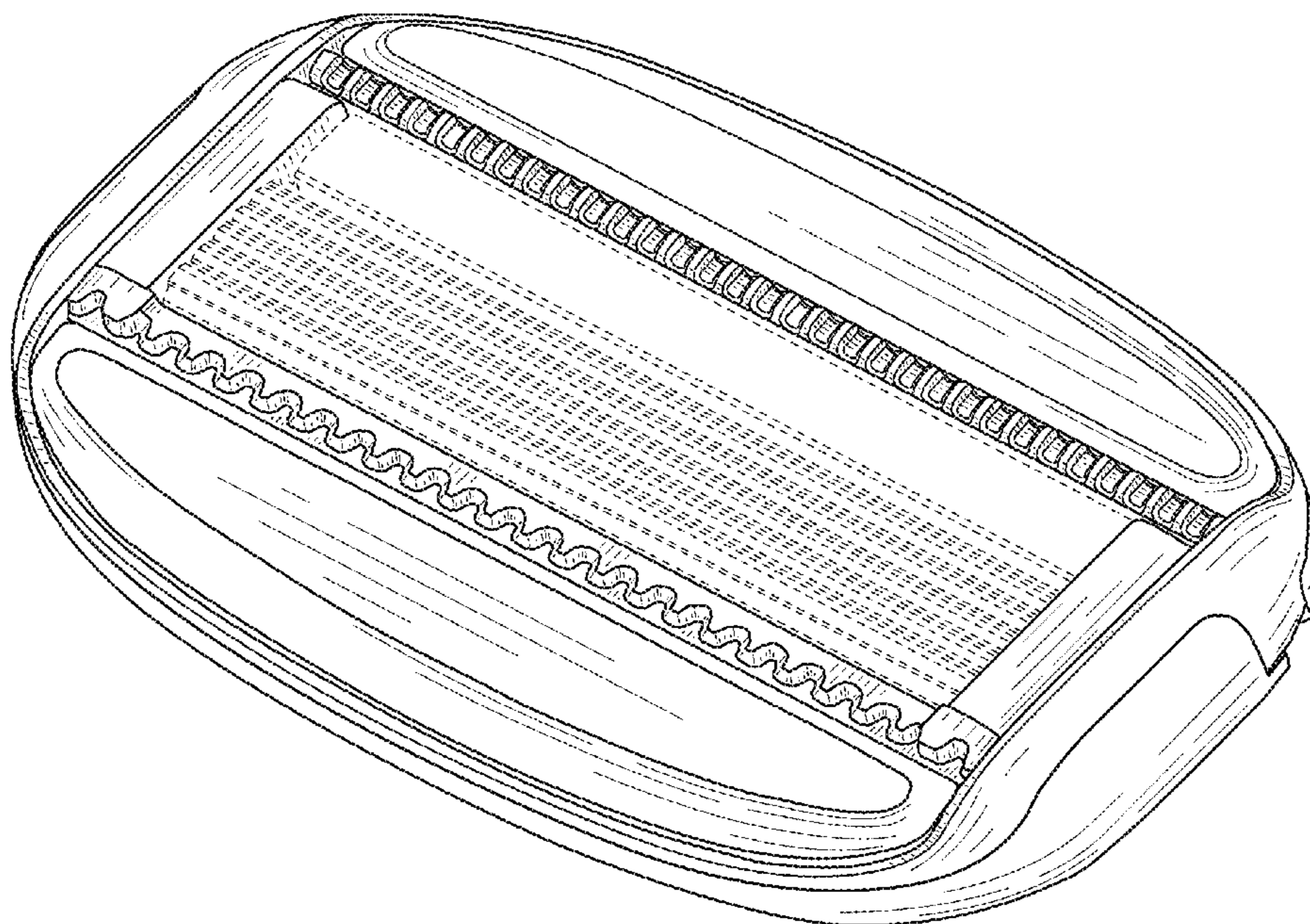
(57) **CLAIM**

The ornamental design for a razor cartridge, as shown and described.

DESCRIPTION

FIG. 1 is a perspective view of a razor cartridge showing the new design;
FIG. 2 is a front view thereof;
FIG. 3 is a rear view thereof;
FIG. 4 is a left side view thereof;
FIG. 5 is a right side view thereof;
FIG. 6 is a top view thereof; and,
FIG. 7 is a bottom view thereof.
The broken lines illustrate portions of the razor cartridge and form no part of the claimed design.

1 Claim, 7 Drawing Sheets



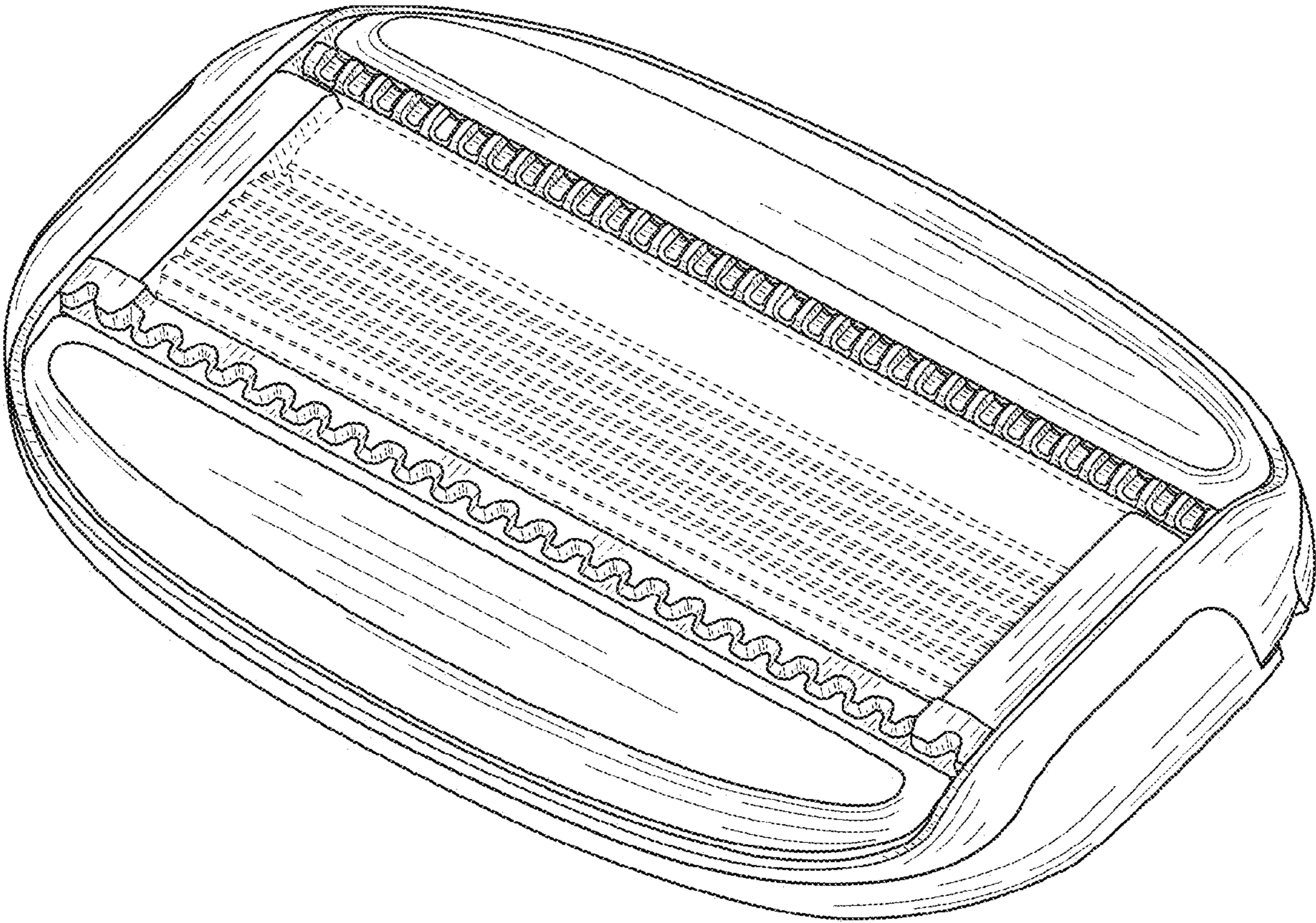


FIG. 1

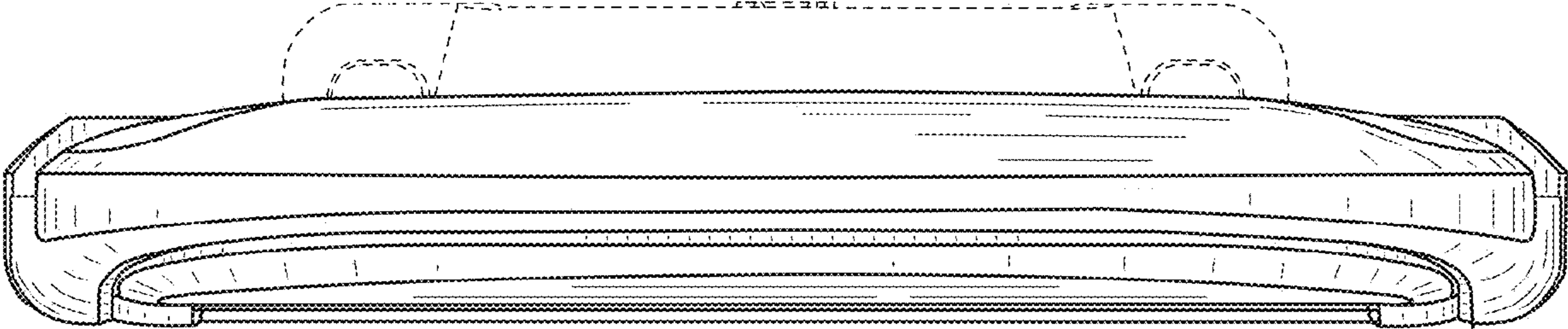


FIG. 2

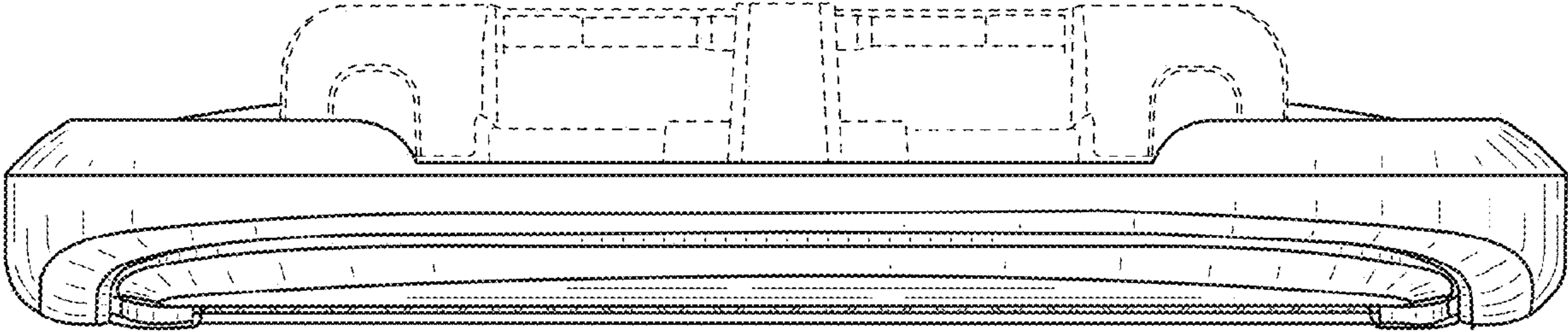


FIG. 3

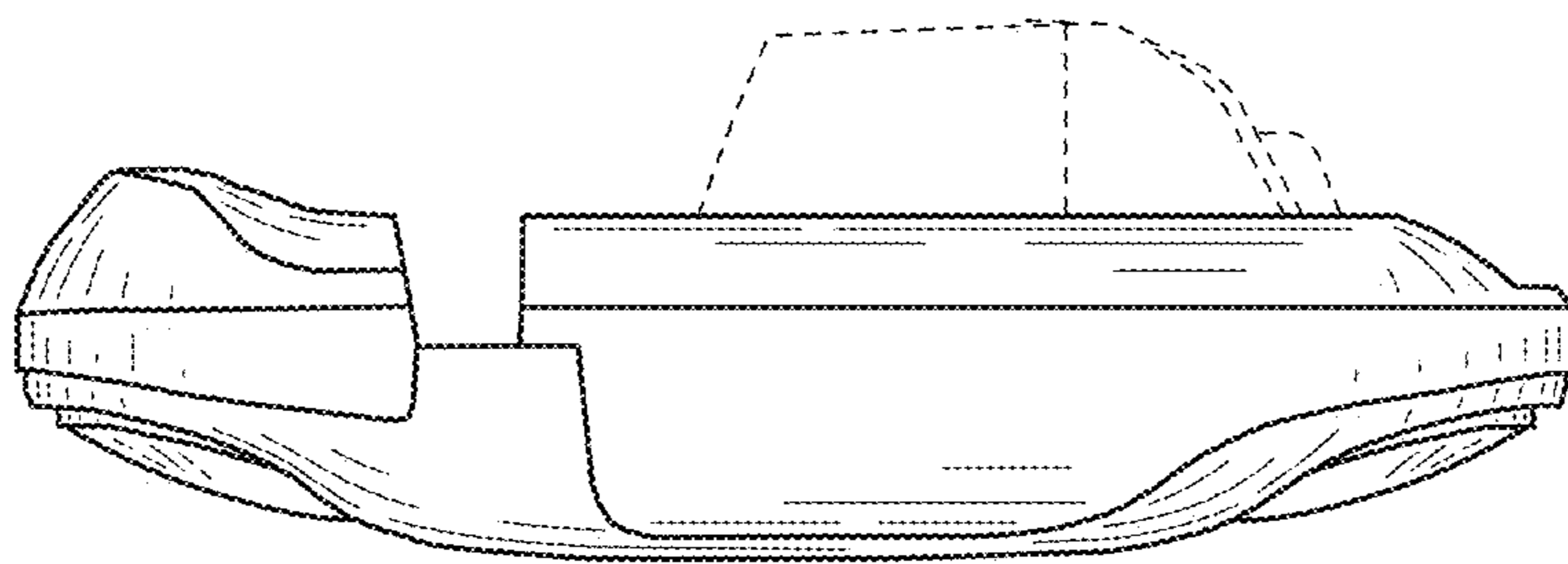


FIG. 4

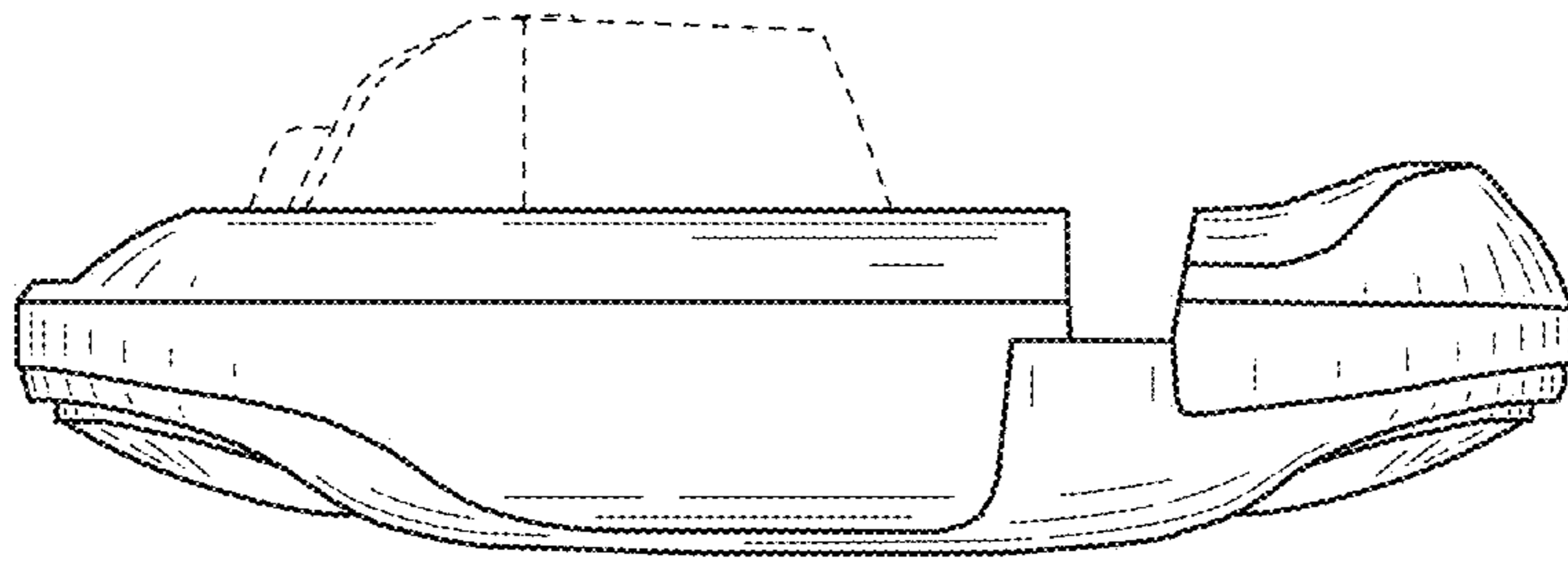


FIG. 5

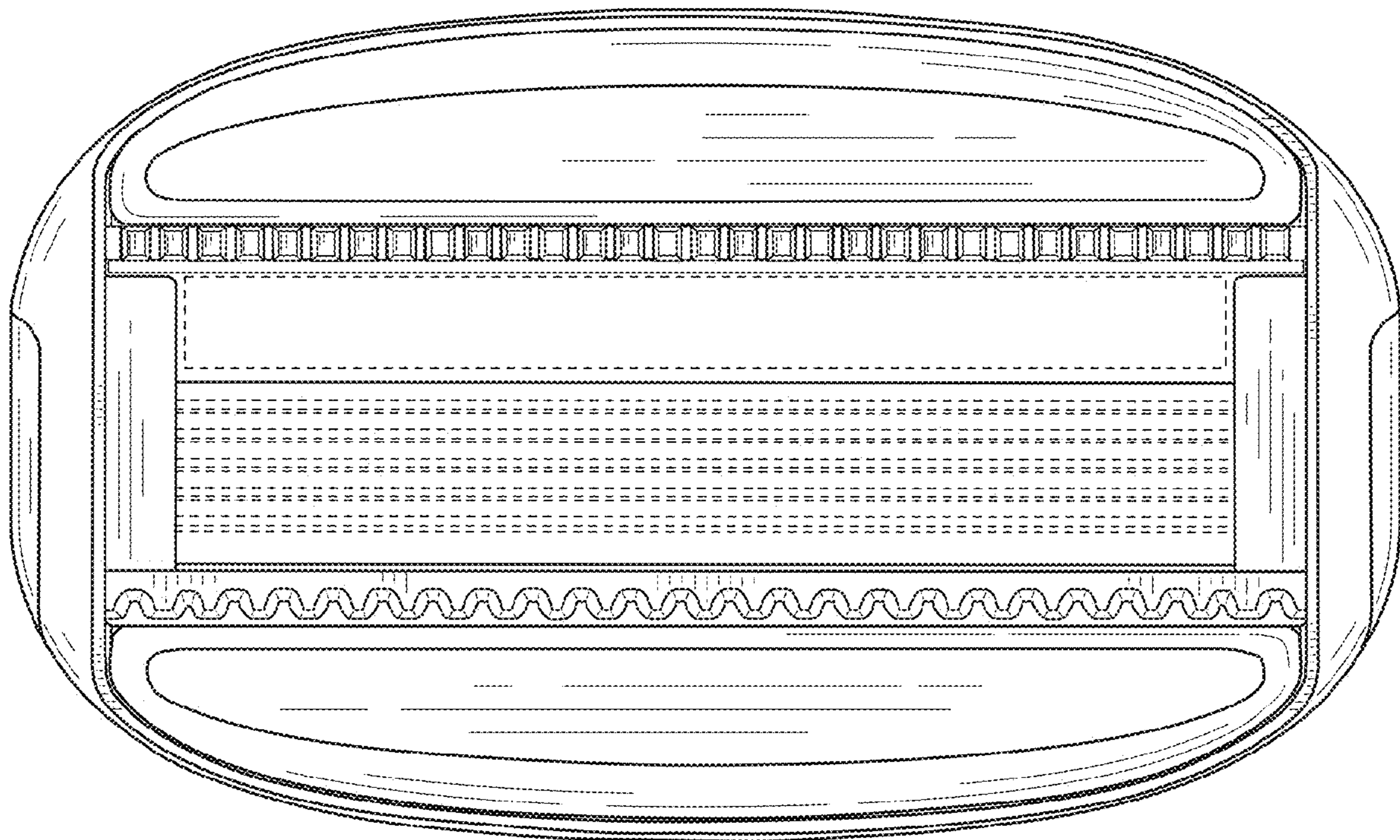


FIG. 6

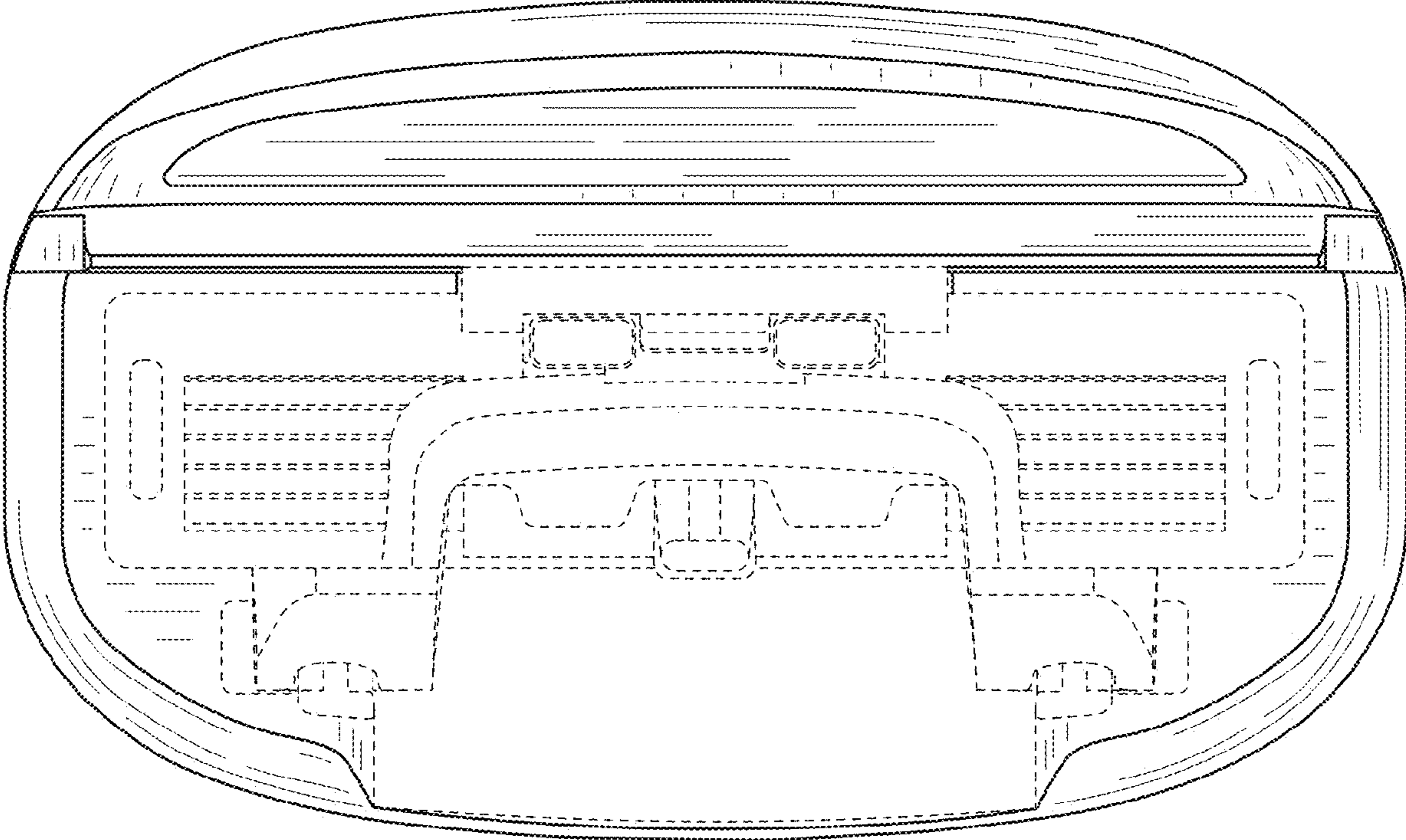


FIG. 7