



US00D897039S

(12) **United States Design Patent**
Ragbir

(10) **Patent No.:** **US D897,039 S**

(45) **Date of Patent:** **** Sep. 22, 2020**

(54) **WAX HEATER**

(71) Applicant: **Jai Ragbir**, Chelmsford (GB)

(72) Inventor: **Jai Ragbir**, Chelmsford (GB)

(73) Assignee: **DEO BEAUTY PRODUCTS LIMITED**, Chelmsford (GB)

(**) Term: **15 Years**

(21) Appl. No.: **29/666,090**

(22) Filed: **Oct. 10, 2018**

(51) **LOC (12) Cl.** **28-03**

(52) **U.S. Cl.**
USPC **D28/44.1**; D28/10; D28/9; D28/58

(58) **Field of Classification Search**
USPC D15/144.1-144.2; D28/9, 10, 44, 44.1,
D28/58; D7/364, 357, 640, 354, 356
CPC A45D 26/00; A45D 26/0014; A61L
9/03-037

See application file for complete search history.

(56) **References Cited**

U.S. PATENT DOCUMENTS

8,870,029 B2 * 10/2014 Stanojlovic A45D 26/0014
219/421
D717,099 S * 11/2014 Lavy D7/354

FOREIGN PATENT DOCUMENTS

CA 2804267 C * 12/2015 A45D 40/261
EP 2786723 A1 * 10/2014 B05C 17/001
FR 2449422 A1 * 9/1980 A45D 26/0014
GB 2498337 B * 12/2013 A61H 37/00
WO WO-02078485 A1 * 10/2002 A45D 26/0014

OTHER PUBLICATIONS

Amber Double Wax Heater, www.bodyworkmall.com, 1 page, downloaded Feb. 24, 2020.*

* cited by examiner

Primary Examiner — Jennifer Rivard

(74) *Attorney, Agent, or Firm* — Nath, Goldberg & Meyer; Joshua B. Goldberg

(57) **CLAIM**

The ornamental design for a wax heater, as shown and described.

DESCRIPTION

FIG. 1 is a front view of a wax heater showing my new design;

FIG. 2 is a bottom view thereof;

FIG. 3 is a top view thereof;

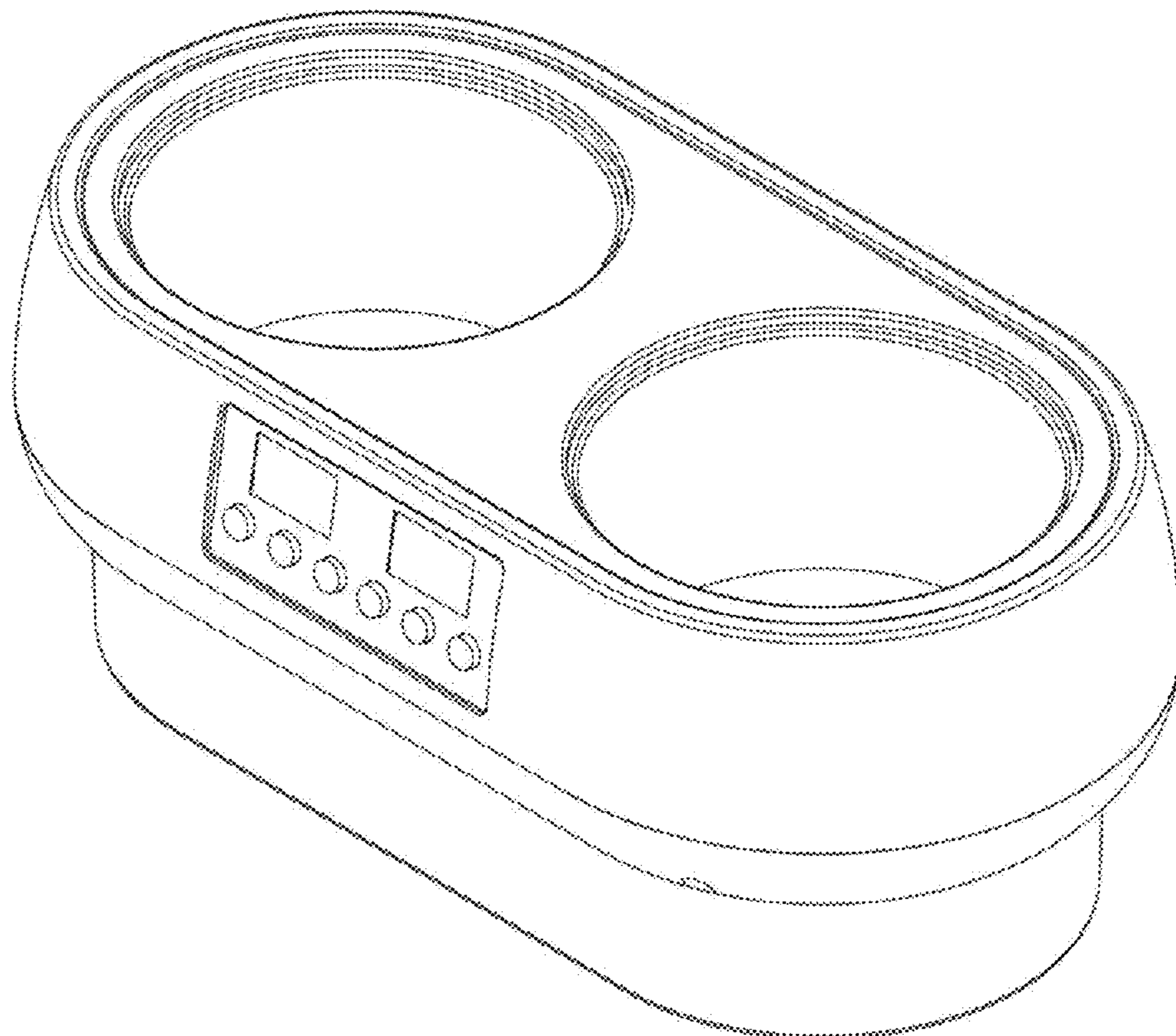
FIG. 4 is a left side view thereof;

FIG. 5 is a right side view thereof;

FIG. 6 is a rear view thereof; and,

FIG. 7 is a perspective view thereof.

1 Claim, 7 Drawing Sheets



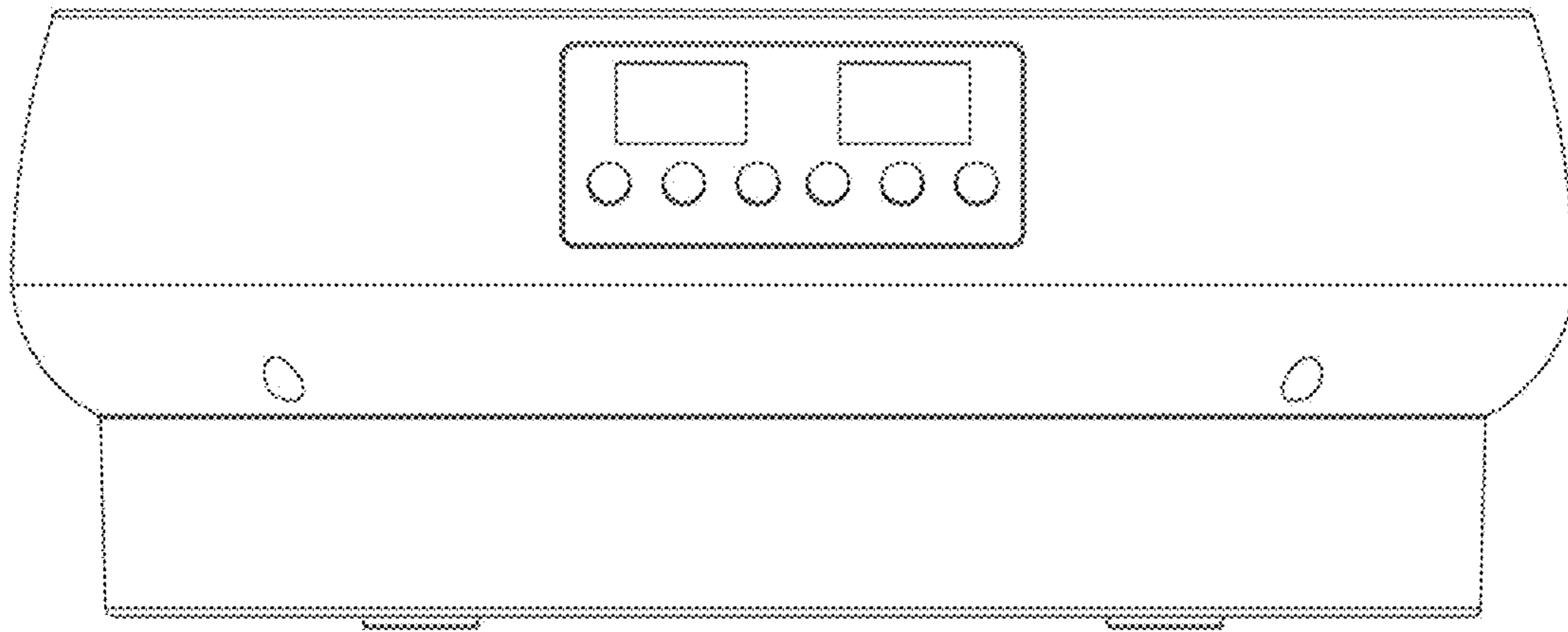


Fig. 1

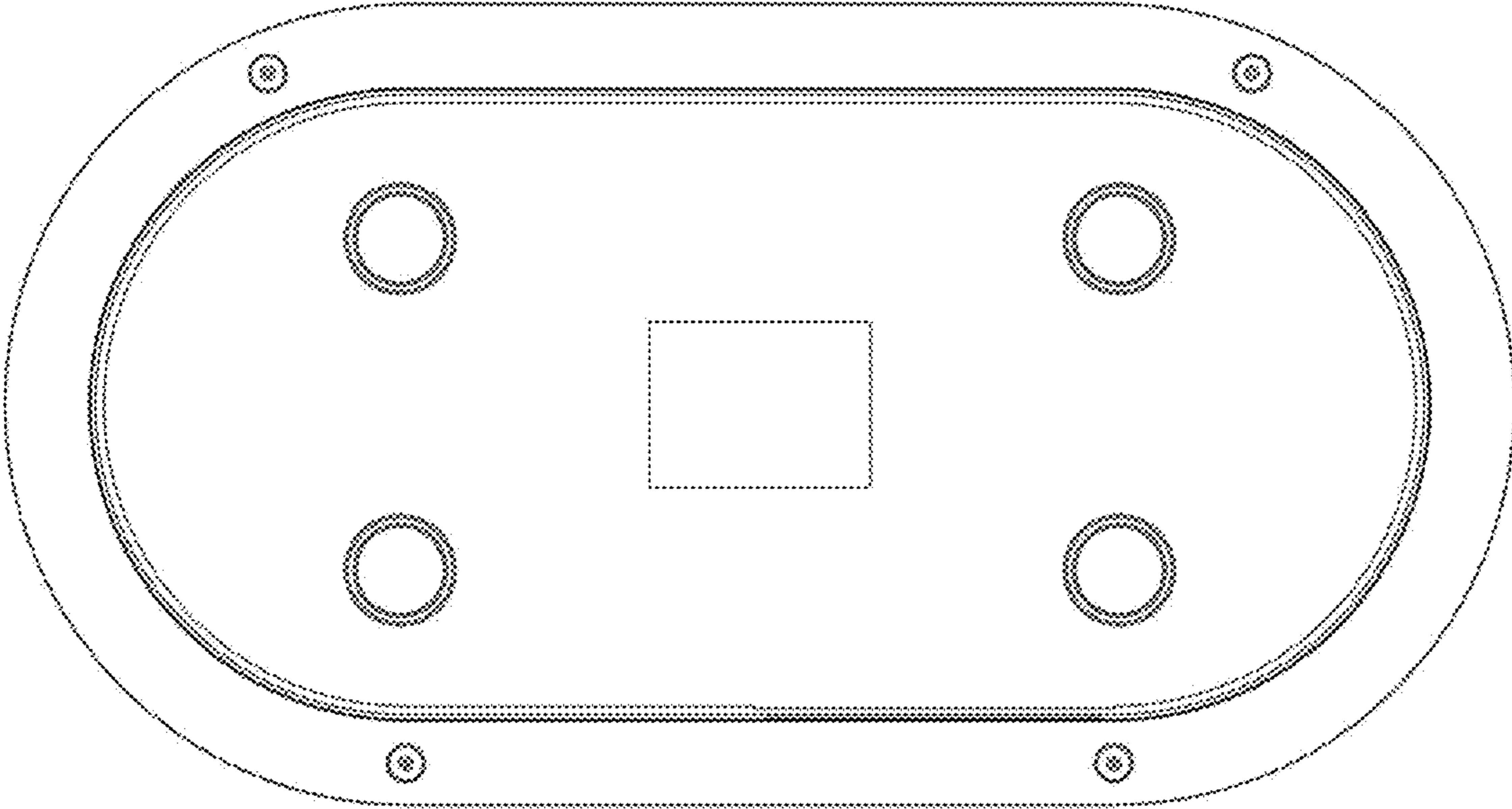


Fig. 2

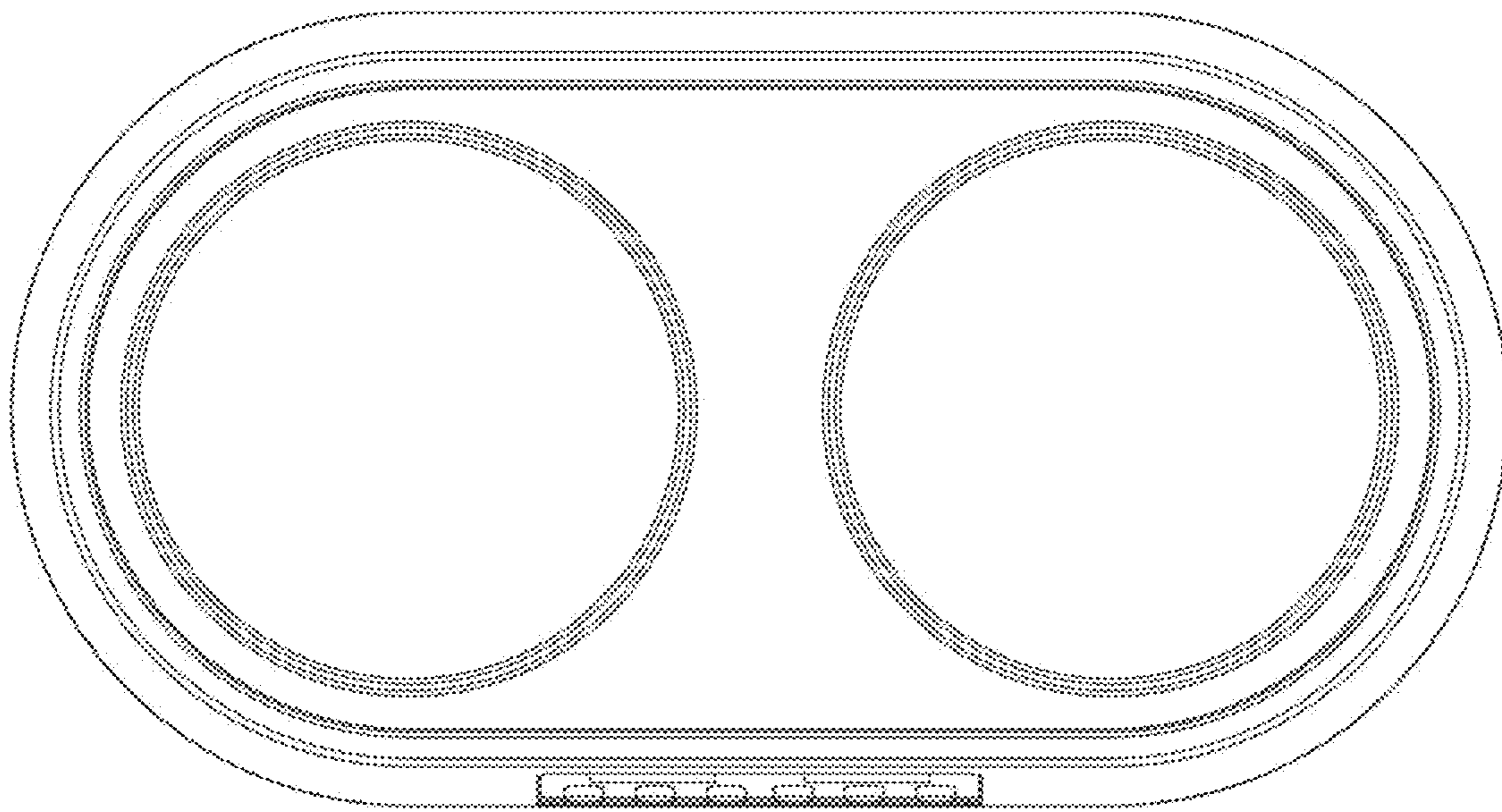


Fig. 3

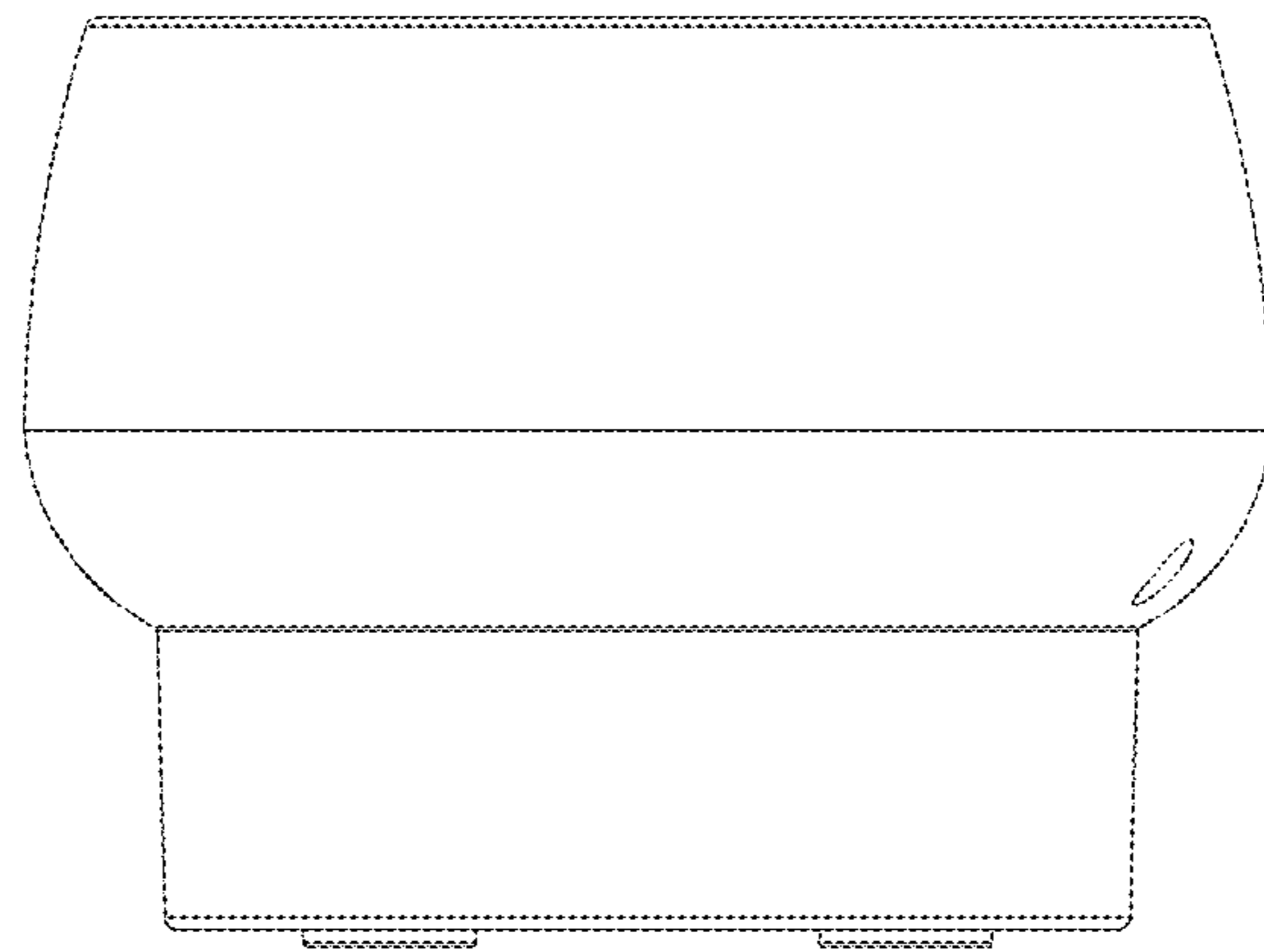


Fig. 4

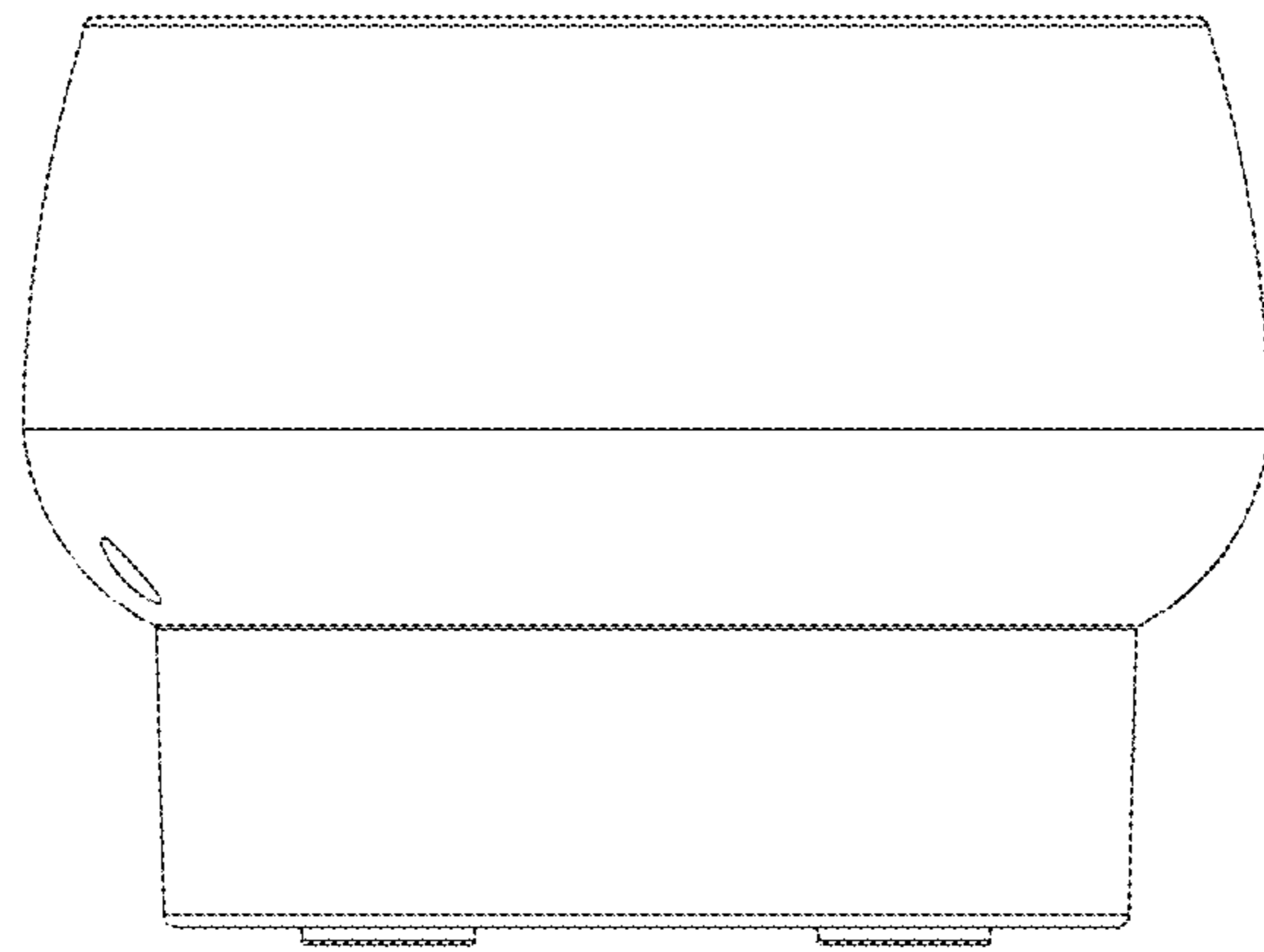


Fig. 5

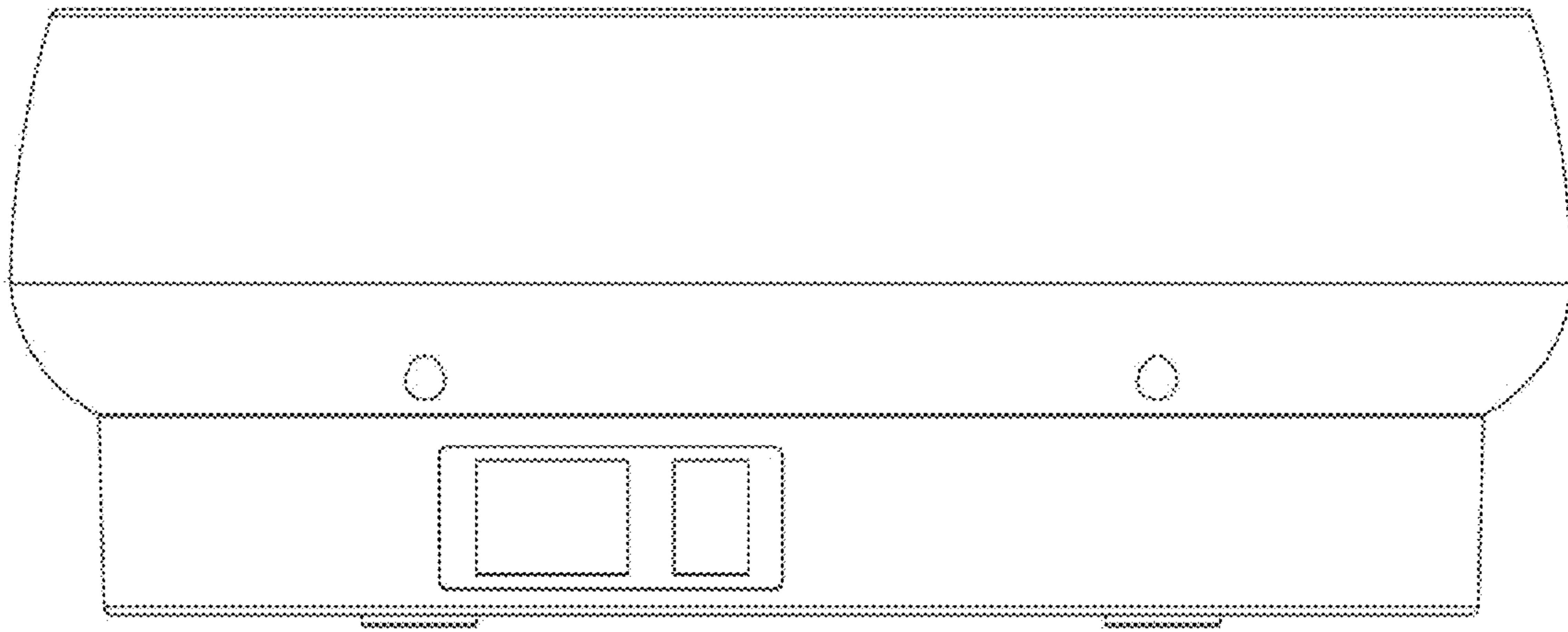


Fig. 6

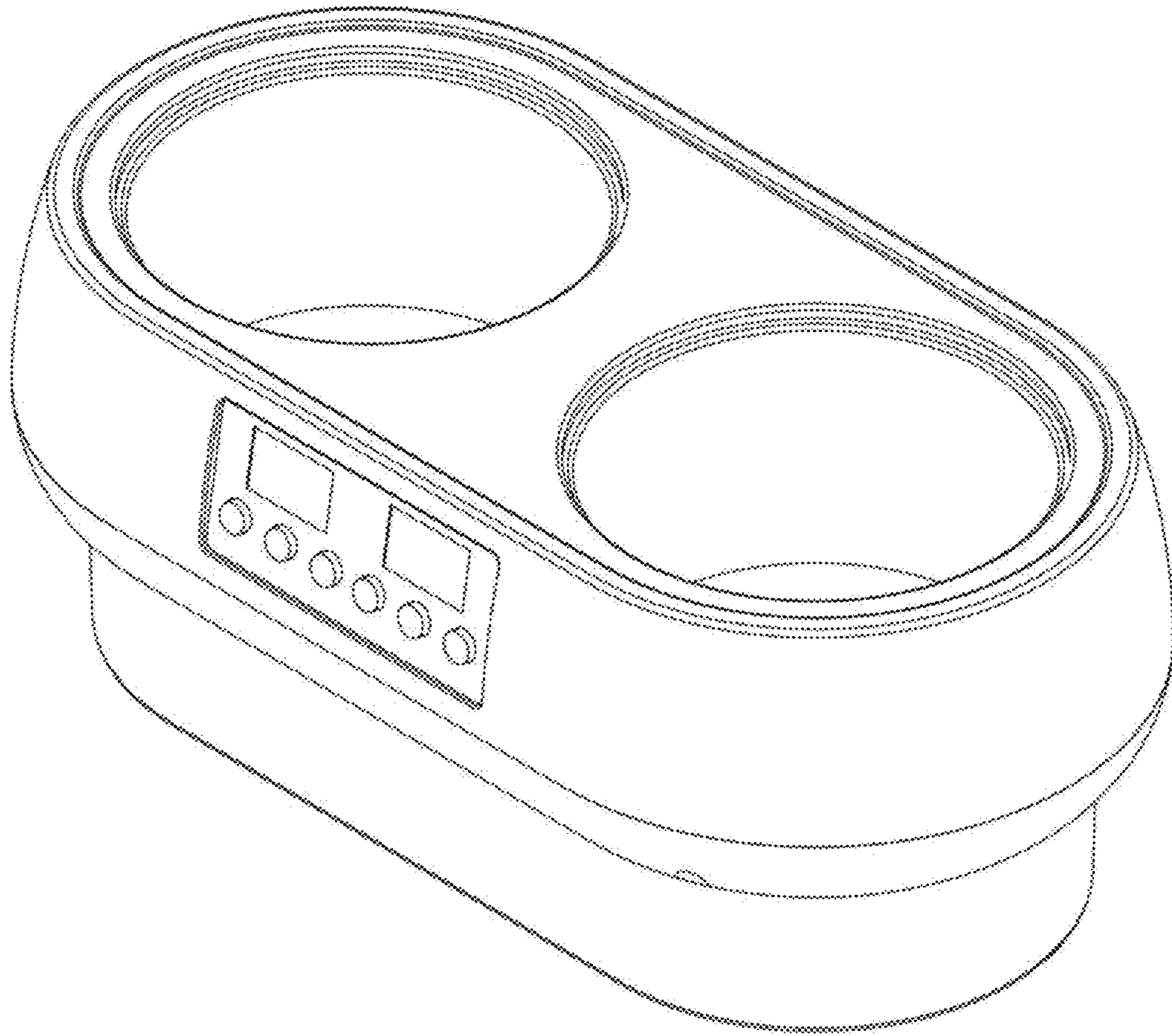


Fig. 7