

US00D897038S

(12) **United States Design Patent** (10) **Patent No.:** **US D897,038 S**
Qin (45) **Date of Patent:** **** Sep. 22, 2020**

(54) **HAIR CURLER**

(71) Applicant: **Shenzhen Jinri Electrical Appliance Co., Ltd.**, Guangdong (CN)

(72) Inventor: **Jie Qin**, Guangdong (CN)

(**) Term: **15 Years**

(21) Appl. No.: **29/690,546**

(22) Filed: **May 9, 2019**

(30) **Foreign Application Priority Data**

Nov. 13, 2018 (CN) 2018 3 0642834

(51) **LOC (12) Cl.** **28-03**

(52) **U.S. Cl.**
USPC **D28/35**

(58) **Field of Classification Search**
USPC D28/35, 37-38
CPC A45D 2/001-002; A45D 1/06; A45D 1/08;
A45D 1/10; A45D 1/12; A45D 1/14;
A45D 1/18

See application file for complete search history.

(56) **References Cited**

U.S. PATENT DOCUMENTS

D650,942 S	*	12/2011	Choi	D28/35
D670,027 S	*	10/2012	Choi	D28/35
D694,952 S	*	12/2013	Choi	D28/35
D698,994 S	*	2/2014	Xu	D28/35
D711,042 S	*	8/2014	Kaizuka	D28/35

OTHER PUBLICATIONS

https://www.amazon.com/JOYYUM-Auto-rotating-Negative-Attachments-Lavander/dp/B07PPLGRM2/ref=sr_1_4?dchild=1&keywords=automatic+hair+curler+brush&qid=1595190780&sr=8-4 Joyyum Hair curler, www.amazon.com, 1 page, reviewed as early as Sep. 2019 (Year: 2019).*

* cited by examiner

Primary Examiner — Jennifer Rivard

(74) *Attorney, Agent, or Firm* — Prakash Nama; Global IP Services, PLLC

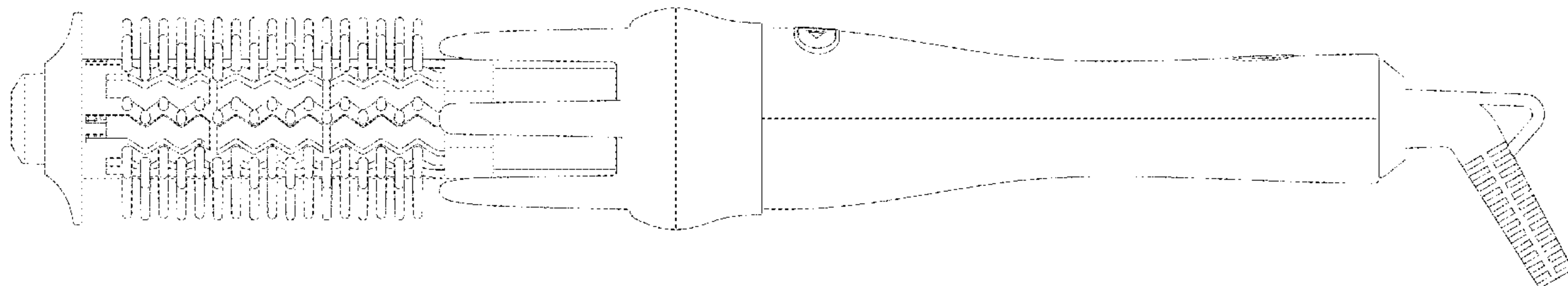
(57) **CLAIM**

The ornamental design for a hair curler, as shown and described.

DESCRIPTION

FIG. 1 is a front elevational view of a hair curler showing my new design;
FIG. 2 is a rear elevational view thereof;
FIG. 3 is a left side view thereof;
FIG. 4 is a right side view thereof;
FIG. 5 is a top plan view thereof;
FIG. 6 is a bottom plan view thereof;
FIG. 7 is a perspective view thereof; and,
FIG. 8 is another perspective view thereof.

1 Claim, 8 Drawing Sheets



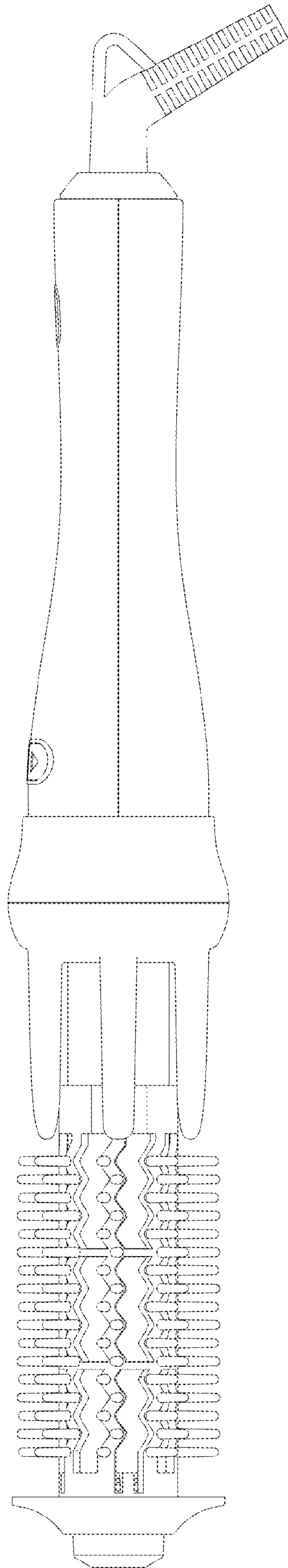


Fig. 1

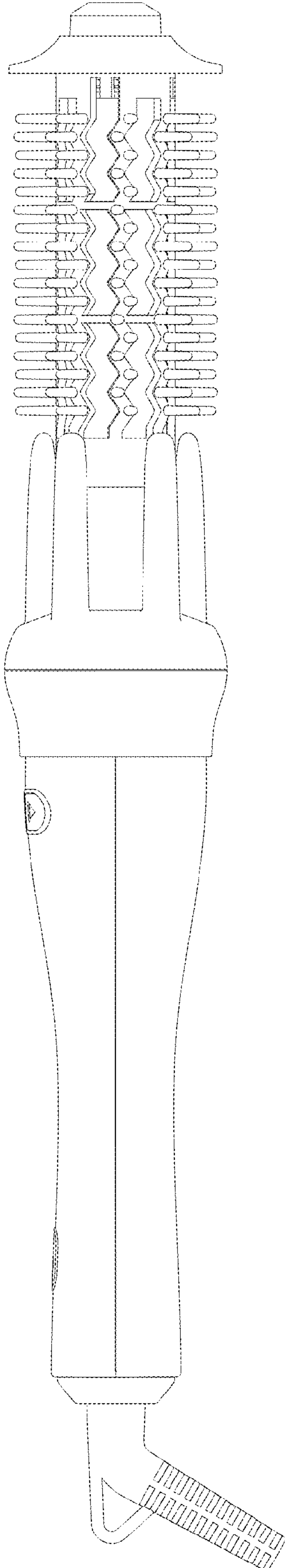


Fig. 2

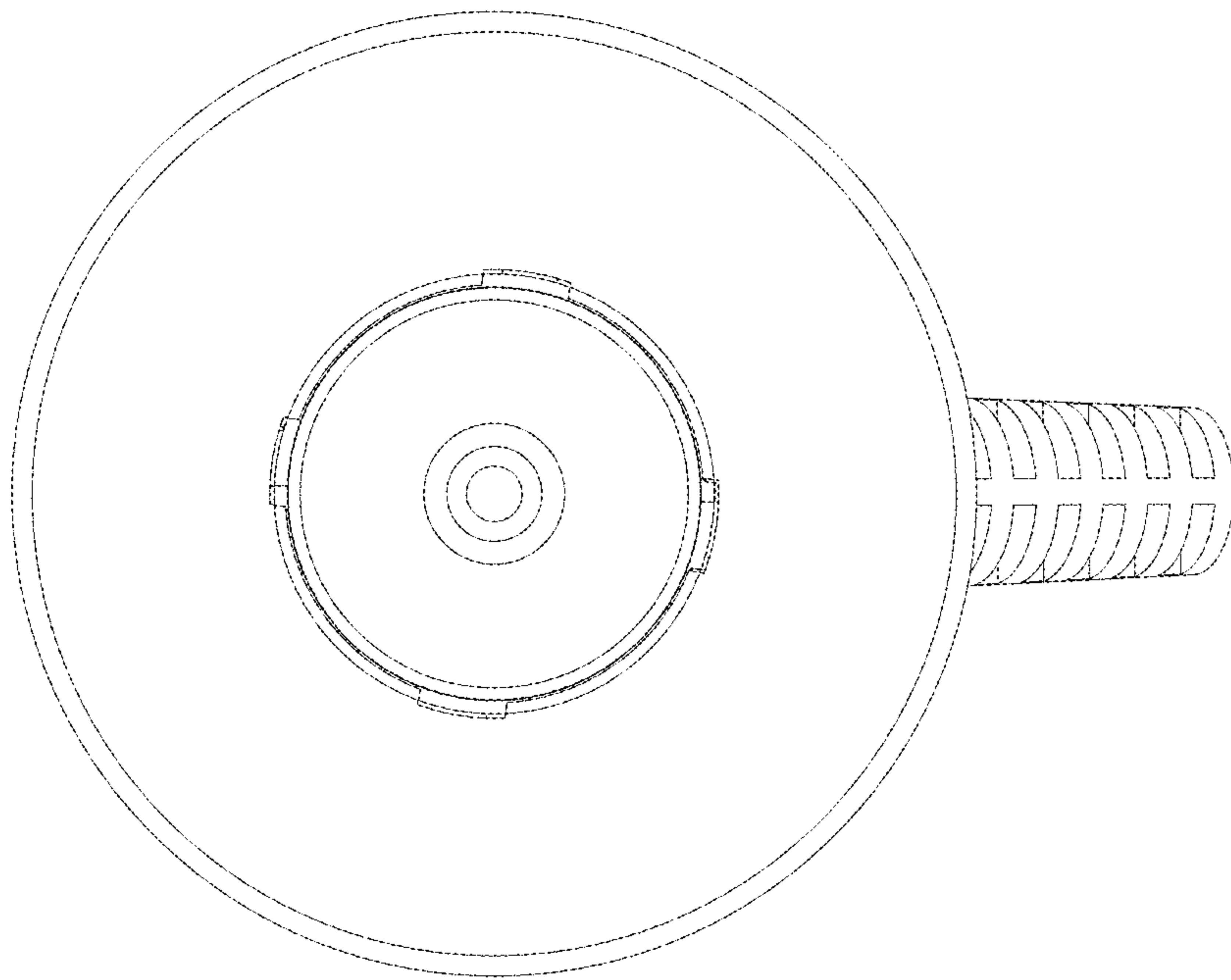


Fig. 3

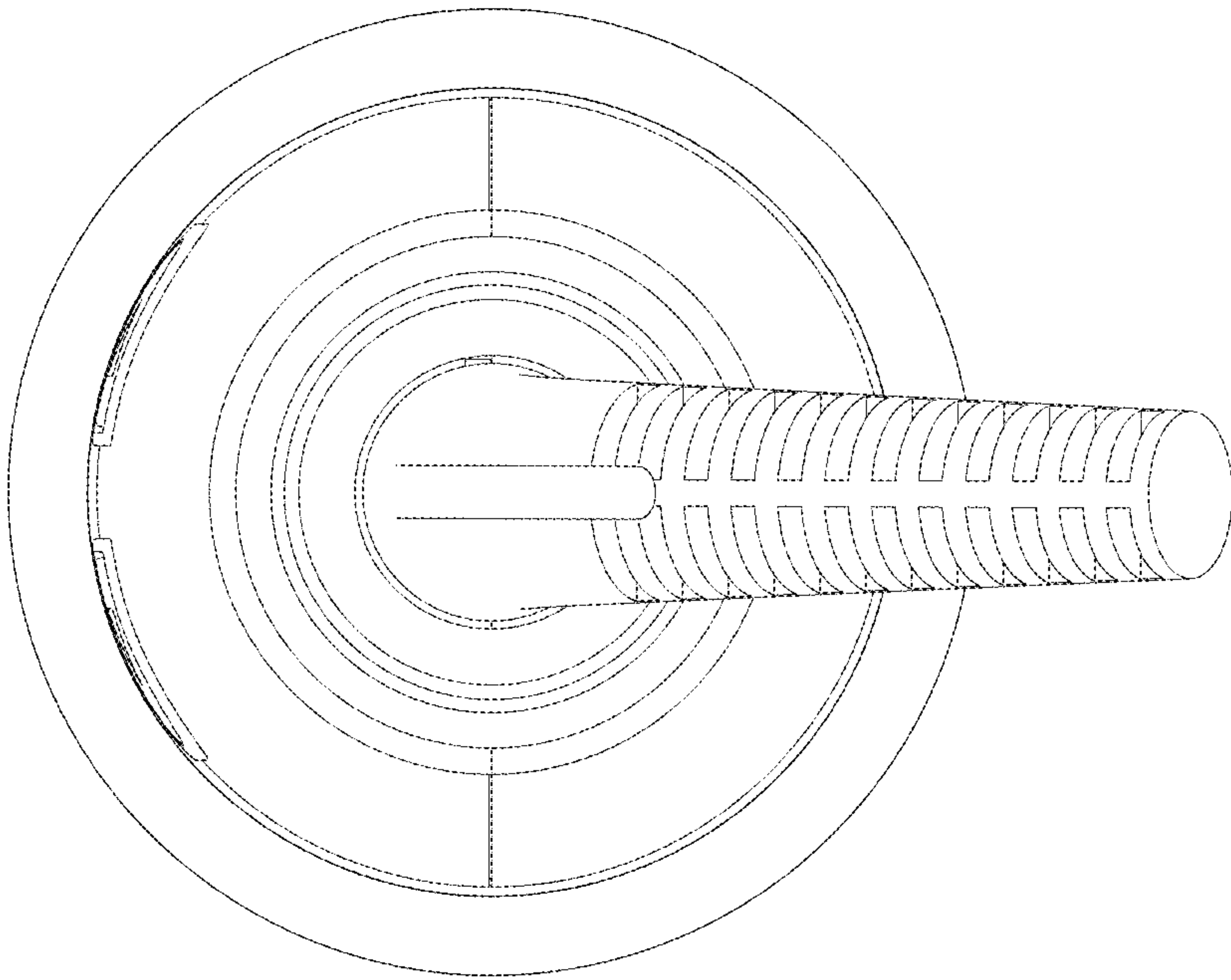


Fig. 4

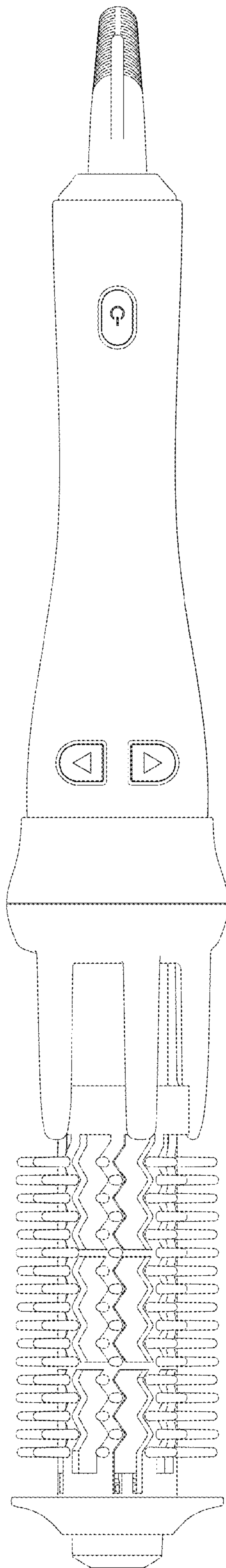


Fig. 5

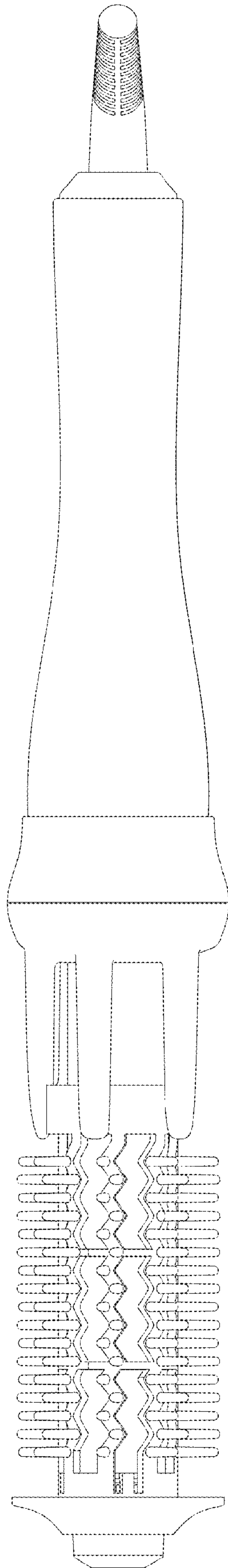


Fig. 6

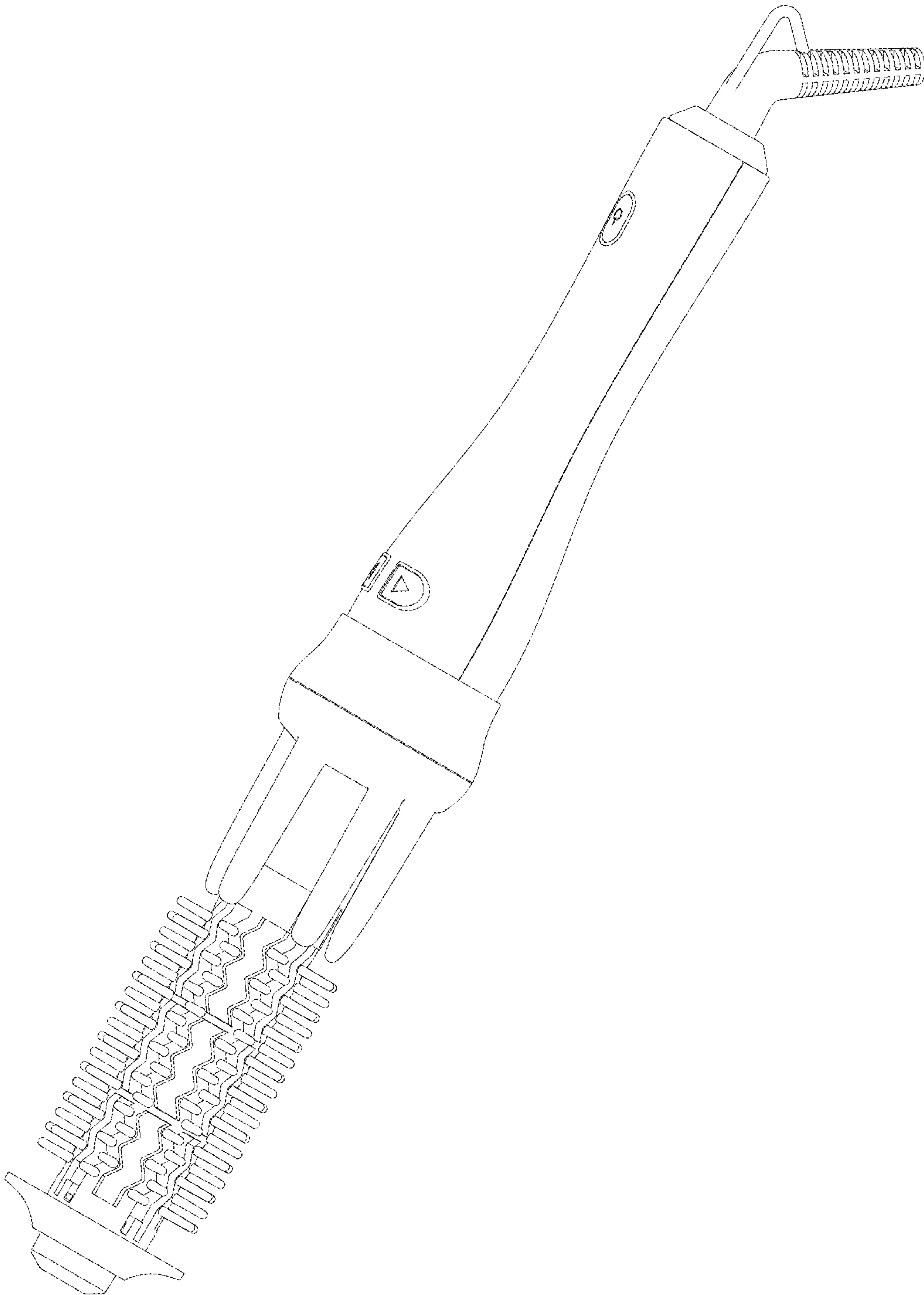


Fig. 7

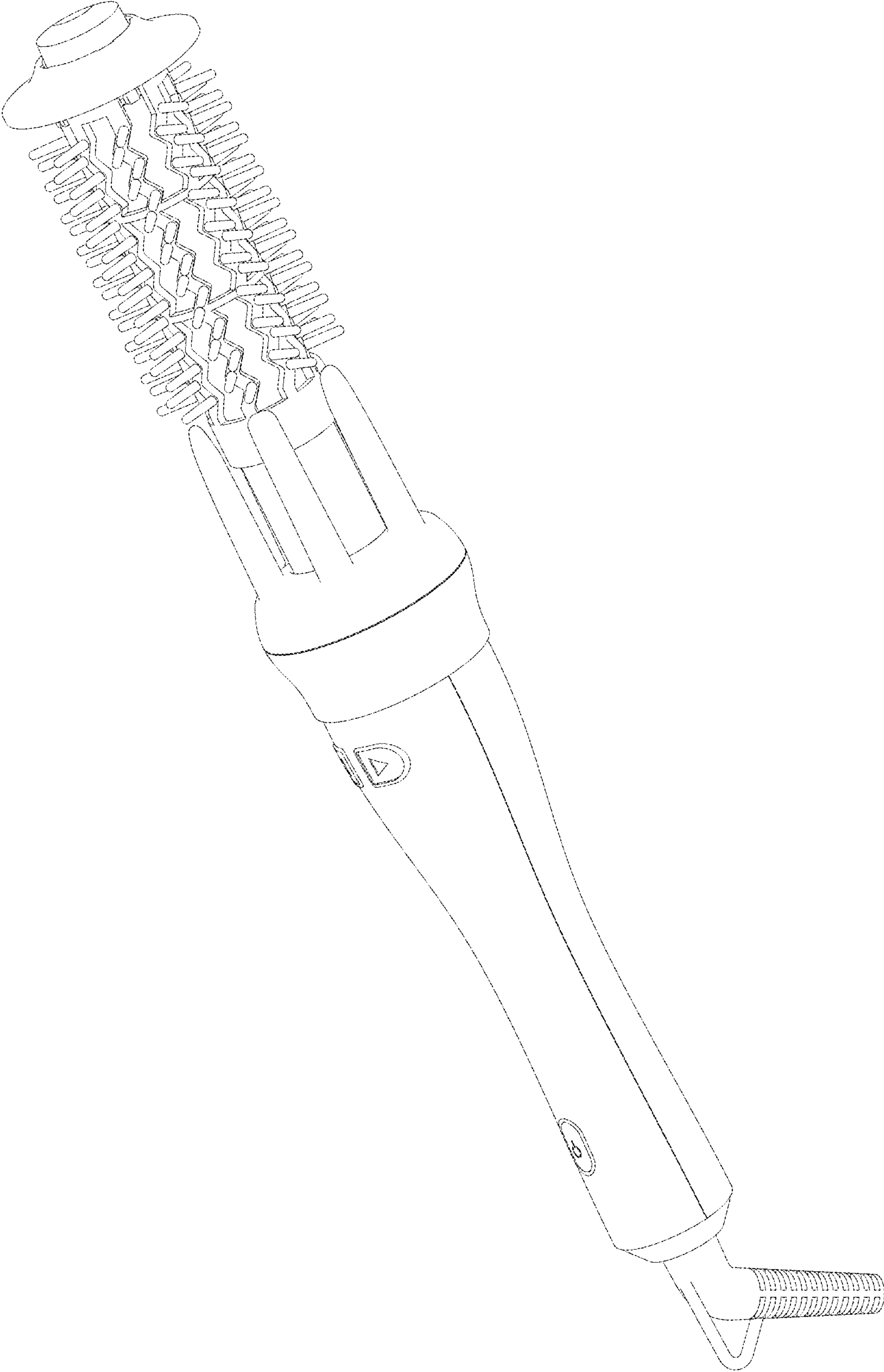


Fig. 8