

US00D897033S

(12) **United States Design Patent** (10) **Patent No.:** **US D897,033 S**  
**Rann et al.** (45) **Date of Patent:** **\*\* Sep. 22, 2020**

(54) **SKINCARE APPLICATOR**

(71) Applicants: **Thomas William Rann**, West Hollywood, CA (US); **Stefanie Lena Bratschi**, West Hollywood, CA (US)

(72) Inventors: **Thomas William Rann**, West Hollywood, CA (US); **Stefanie Lena Bratschi**, West Hollywood, CA (US)

(\*\*) Term: **15 Years**

(21) Appl. No.: **29/674,987**

(22) Filed: **Dec. 27, 2018**

(51) **LOC (12) Cl.** ..... **28-02**

(52) **U.S. Cl.**  
USPC ..... **D28/7**

(58) **Field of Classification Search**  
USPC ..... D28/7, 8, 8.1, 8.2, 9, 20, 48, 54.1, 63, D28/73, 76, 77, 78, 82

CPC .... A45D 33/00; A45D 33/001; A45D 33/003; A45D 33/006; A45D 33/02; A45D 33/18; A45D 33/22; A45D 40/26; A45D 40/261; A45D 40/28; A45D 44/08; A45D 44/10; A45D 2200/20; A45D 2200/207; A45D 2200/1009; A45D 2200/1054; A45D 2200/1063; A45D 2200/1081; A45D 2200/109; A46B 2200/00; A46B 2200/10; A46B 2200/102; A46B 2200/1046; A46B 5/00; A46B 5/02; A46B 5/021; A46B 5/023; A46B 5/025; A46B 5/026; A46B 5/028; A46B 5/0095; A46B 7/00; A46B 7/02; A46B 7/023; A47K 7/00; A47K 7/02; A47K 7/06; A47K 7/08

See application file for complete search history.

(56) **References Cited**

**U.S. PATENT DOCUMENTS**

2,279,100 A 4/1942 Worth  
D279,224 S \* 6/1985 Wolbrom ..... D28/7  
4,942,626 A 7/1990 Stern

5,019,058 A 5/1991 Storandt  
D430,702 S \* 9/2000 Ruello ..... D28/7  
D438,790 S \* 3/2001 Holthaus ..... D9/728  
D442,744 S \* 5/2001 Goswell ..... D28/82  
6,257,785 B1 7/2001 Otten  
D459,859 S 7/2002 Poteat  
6,494,767 B2 12/2002 Fisher  
6,588,961 B2 7/2003 Lafosse-Marin  
6,996,847 B2 2/2006 Anderson  
7,117,536 B2 10/2006 Burnett

(Continued)

**OTHER PUBLICATIONS**

Dhgate, FBA Custom Logo Drop Shipping CleanBrushes Makeup Wash Egg BrushCosmetic Cleaning Tools For MakeupBrushes Beauty Tool, www.dhgate.com.

*Primary Examiner* — Barbara Fox

*Assistant Examiner* — Messina L Smith

(74) *Attorney, Agent, or Firm* — Lewis Brisbois Bisgaard & Smith LLP

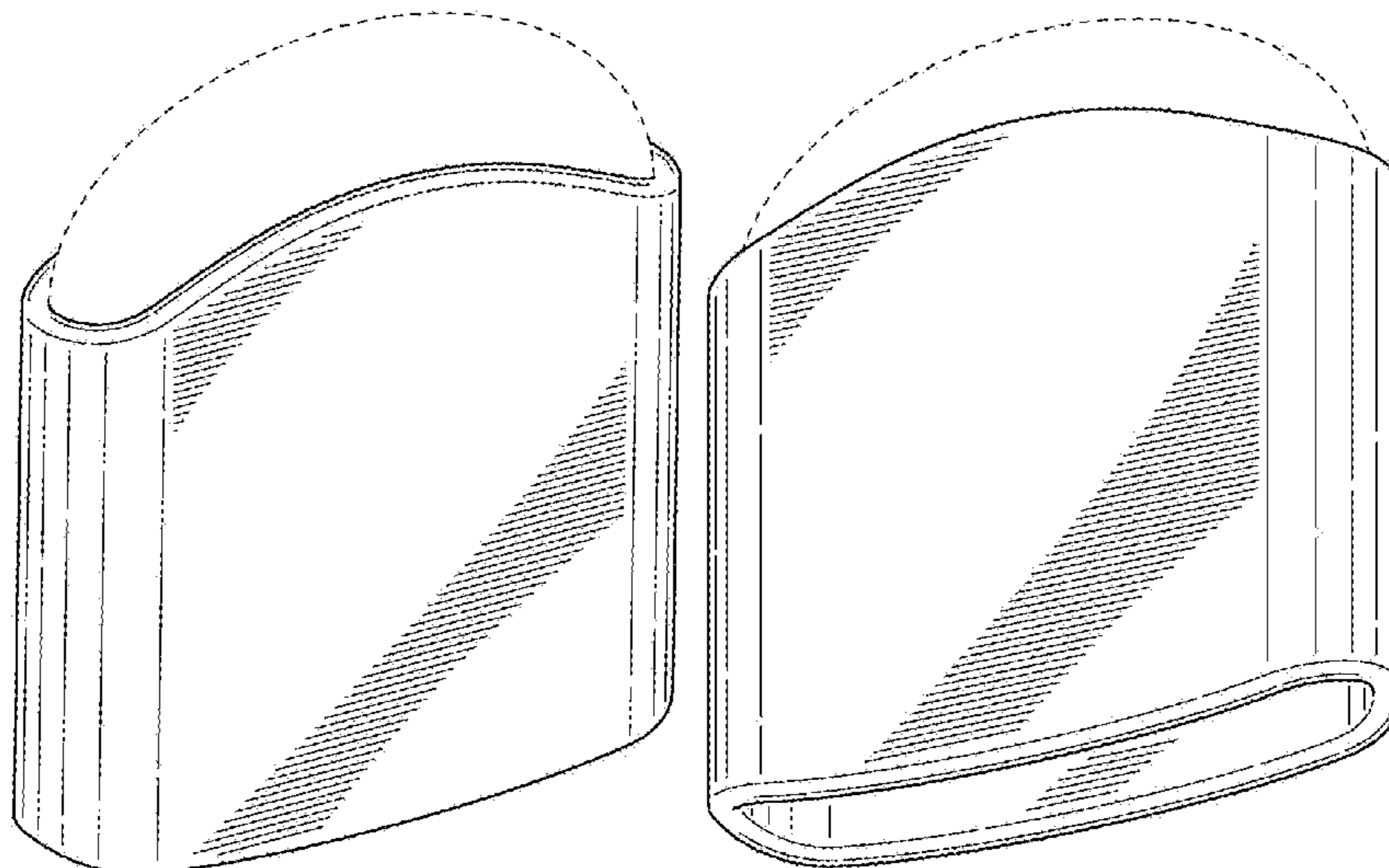
(57) **CLAIM**

The ornamental design for a skincare applicator, as shown and described.

**DESCRIPTION**

FIG. 1 is a front perspective view of a skincare applicator showing the new design;  
FIG. 2 is a back perspective view thereof;  
FIG. 3 is a front elevation view thereof;  
FIG. 4 is a left side elevation view thereof;  
FIG. 5 is a top plan view thereof;  
FIG. 6 is a bottom plan view thereof;  
FIG. 7 is a cross-sectional view thereof taken in the direction of line 7-7 in FIG. 6; and,  
FIG. 8 is an exploded view of the skincare applicator.  
The broken lines shown in the drawings depict portions of the skincare applicator that form no part of the claimed design.

**1 Claim, 4 Drawing Sheets**



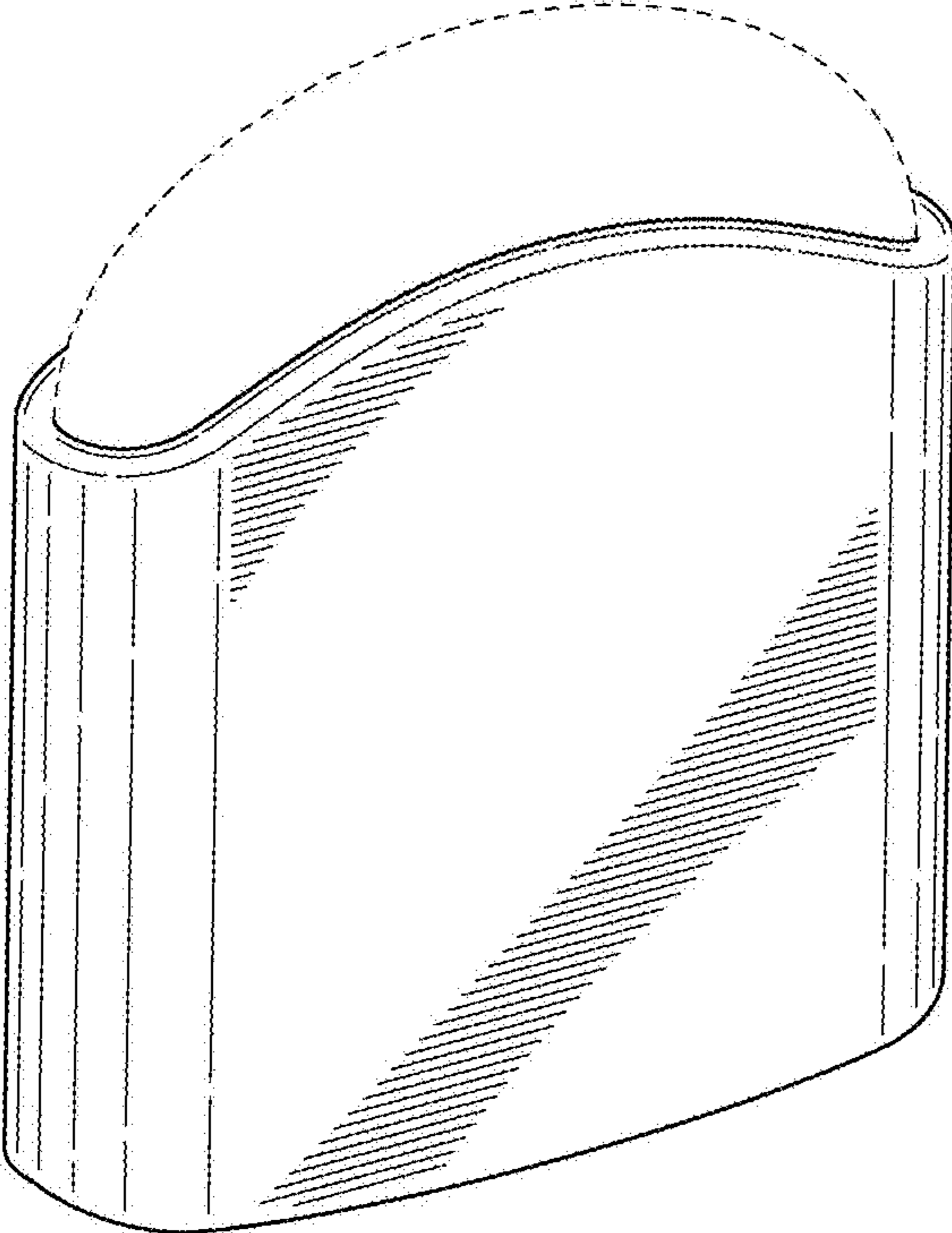
(56)

References Cited

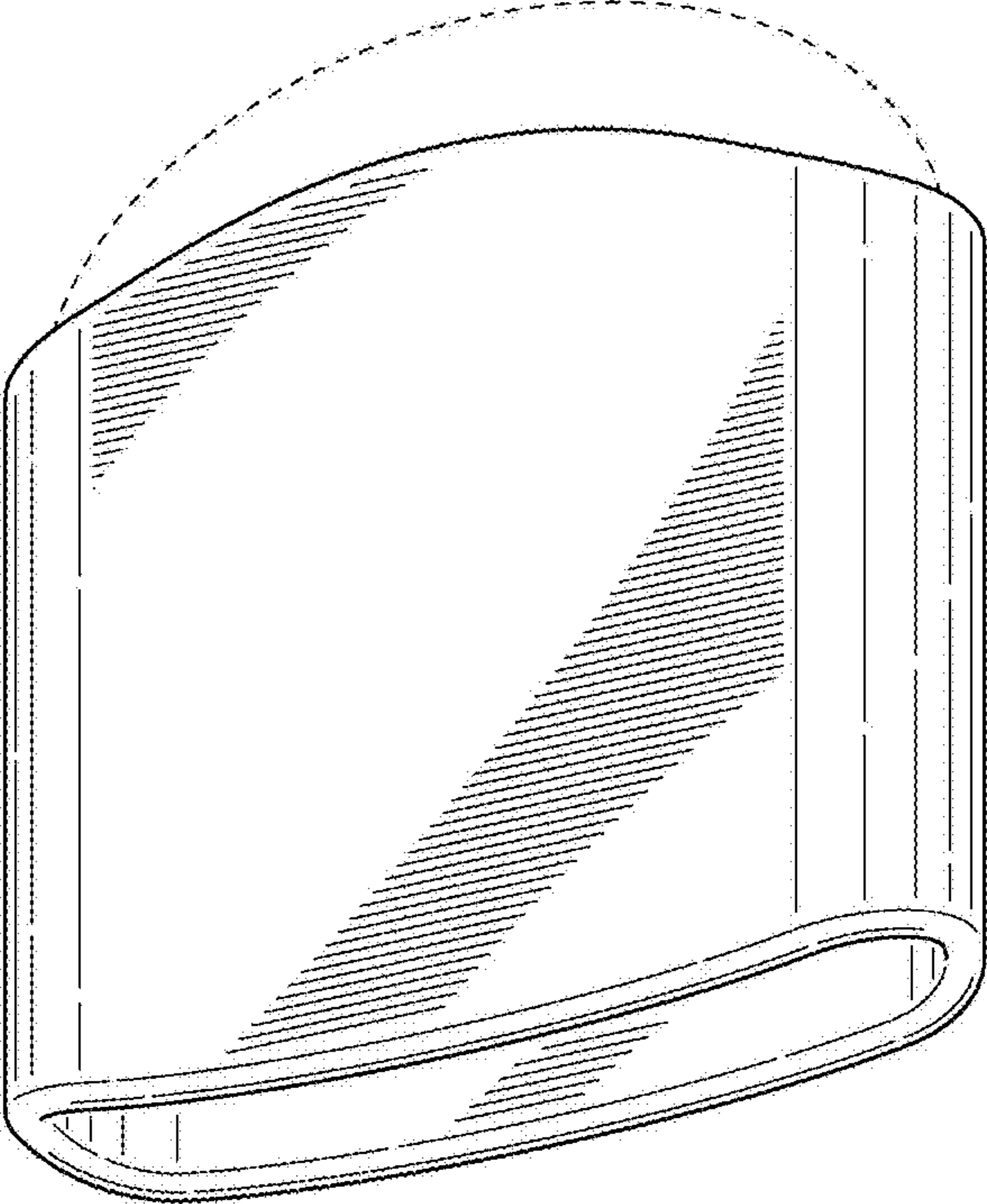
U.S. PATENT DOCUMENTS

7,346,955	B2	3/2008	De Laforcade	
7,419,321	B2	9/2008	Tereschouk	
7,501,093	B2 *	3/2009	Demelo .....	G01N 33/48778 422/526
7,575,384	B2	8/2009	Bauer	
7,904,969	B2	3/2011	Greenfield	
D656,271	S *	3/2012	Nakagawa .....	D28/84
8,394,045	B2	3/2013	Betcher	
9,079,208	B2	7/2015	Gundersen	
9,370,207	B2	6/2016	Crowder	
D801,625	S	11/2017	Elliott	
10,016,671	B2	7/2018	Ramirez	
D869,284	S *	12/2019	Laughlin .....	D9/572
2003/0006962	A1	1/2003	Bajramovic	
2003/0120180	A1	6/2003	Kaylor	
2005/0129642	A1 *	6/2005	Blanchard .....	A45D 33/00 424/65
2005/0202068	A1	9/2005	Hasenoehrl	
2007/0083980	A1	4/2007	Yang	
2009/0326622	A1	12/2009	Johnson	
2011/0315161	A1 *	12/2011	Lim .....	A45D 40/264 132/301
2013/0247273	A1	9/2013	Hill	
2016/0114143	A1	4/2016	Kowalewski	
2018/0103742	A1 *	4/2018	Blake .....	A45D 40/12

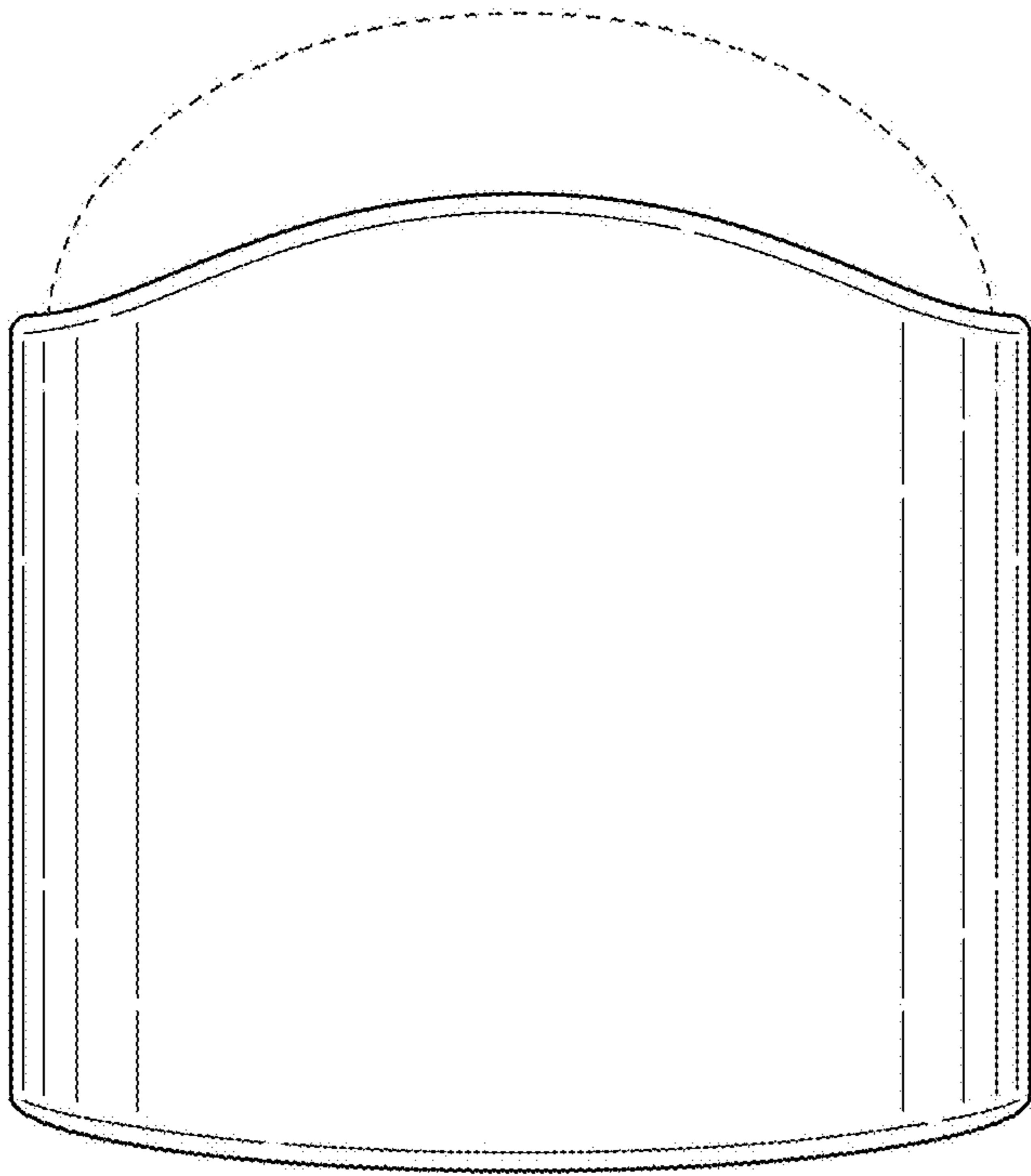
\* cited by examiner



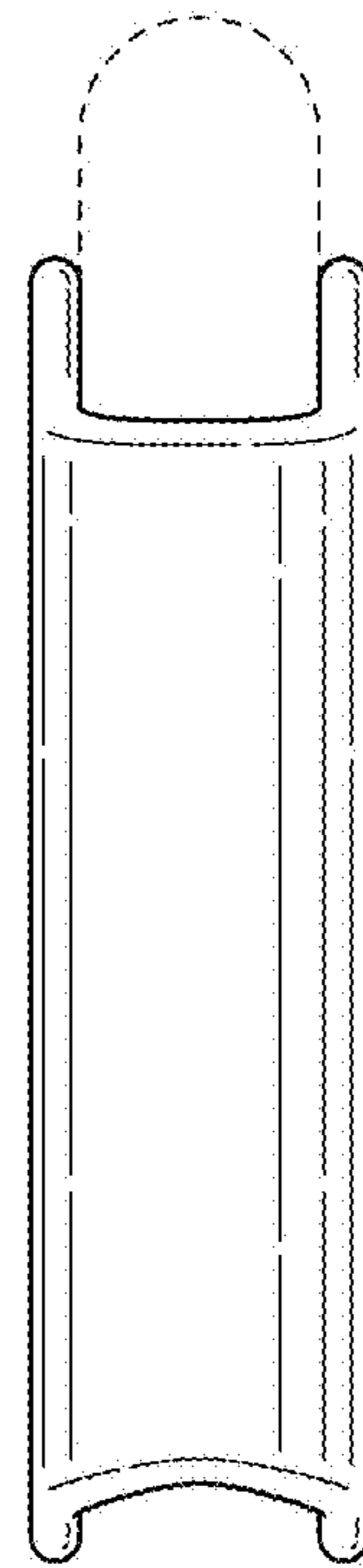
*FIG. 1*



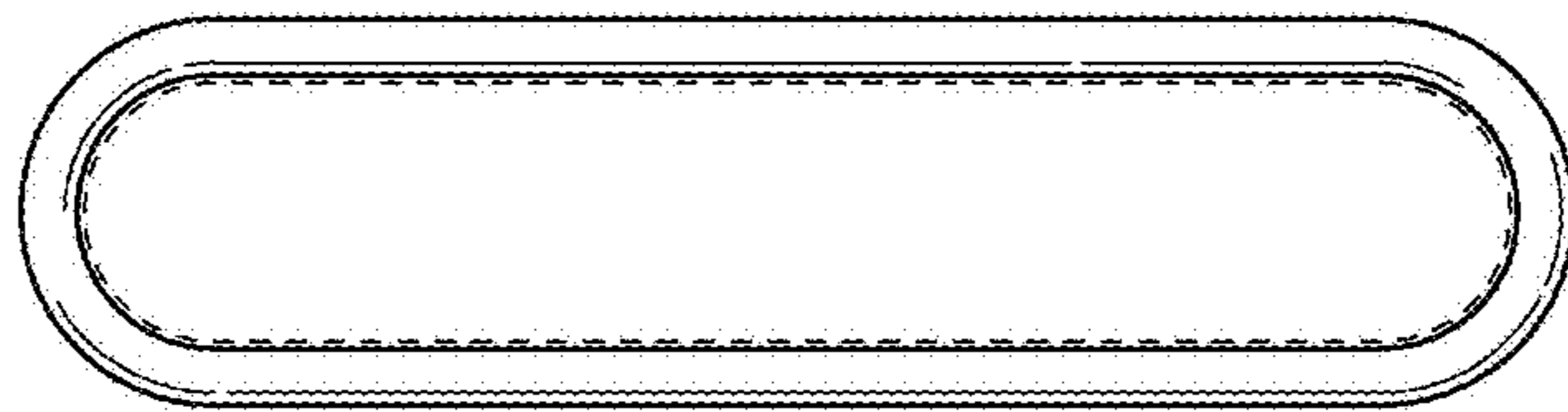
*FIG. 2*



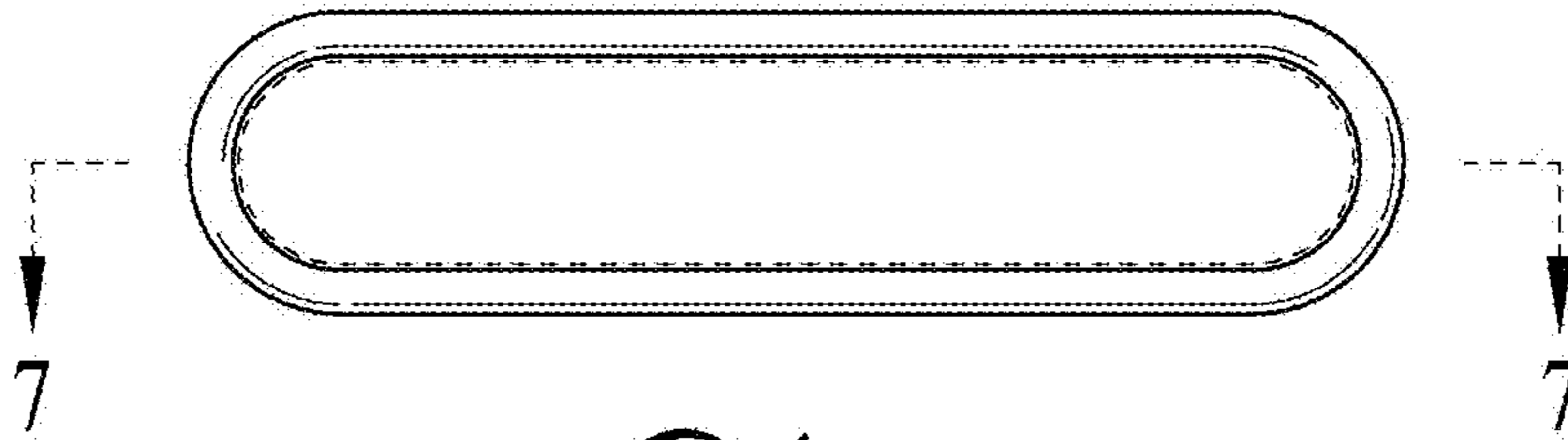
*FIG. 3*



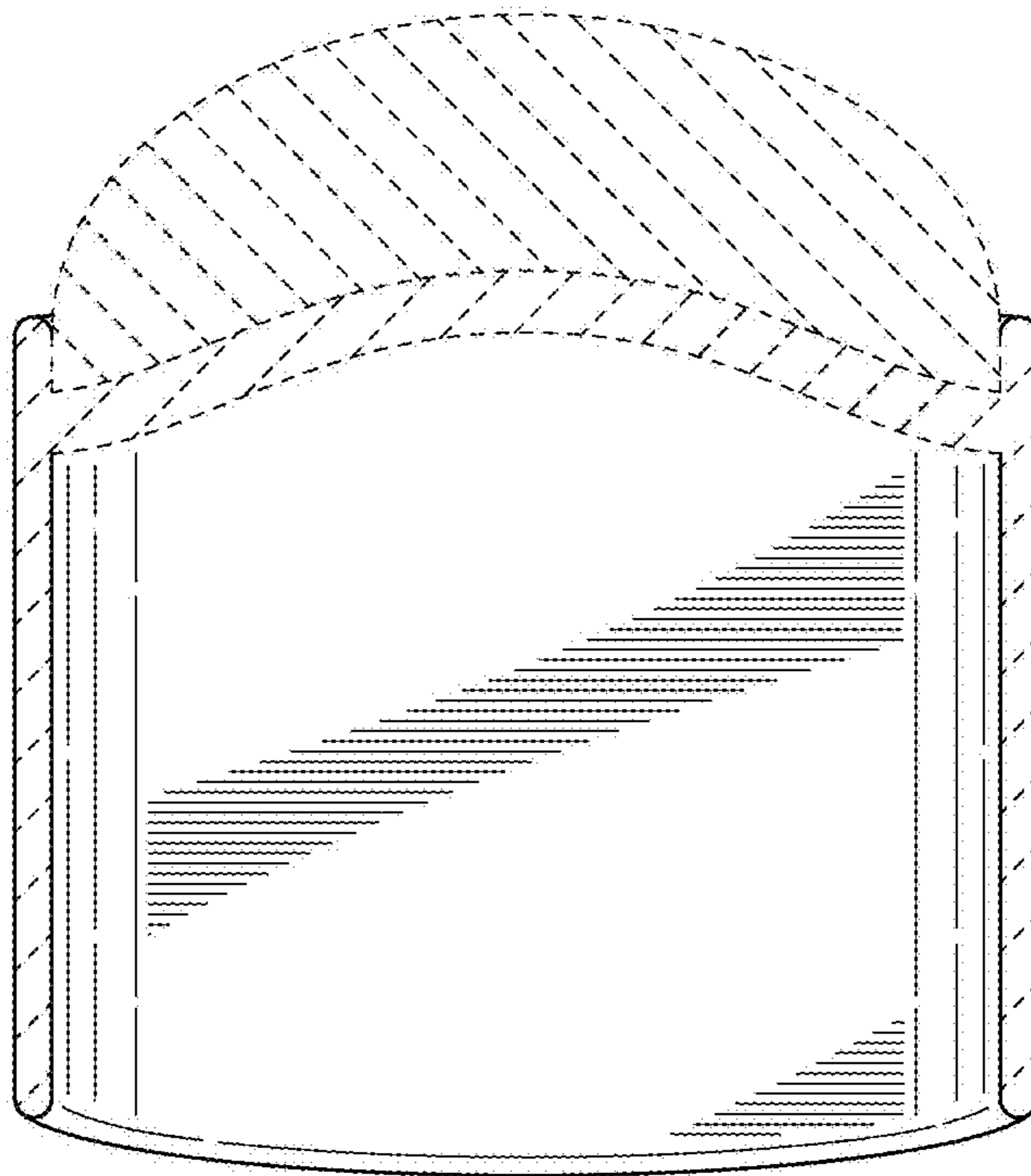
*FIG. 4*



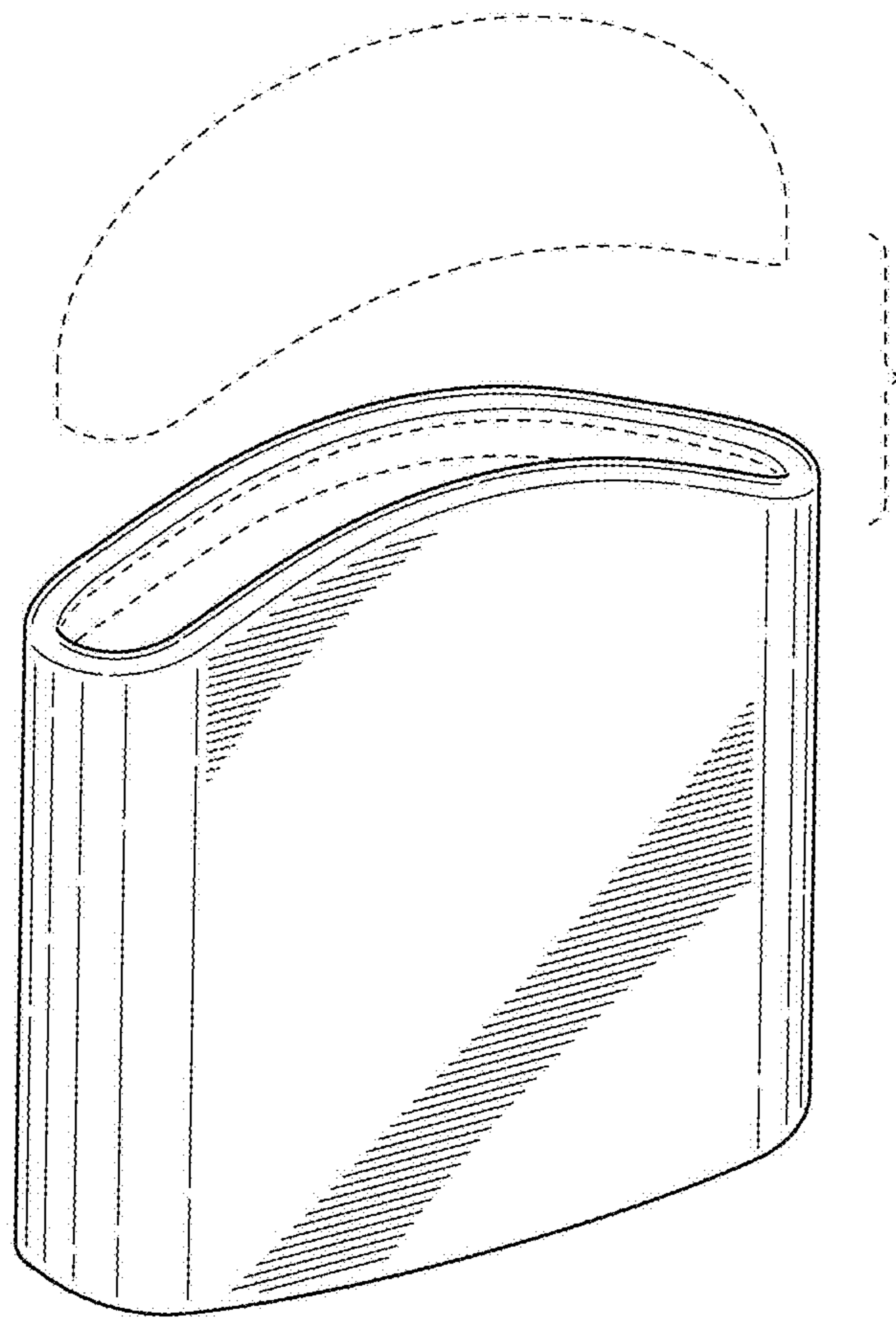
*FIG. 5*



*FIG. 6*



*FIG. 7*



*FIG. 8*