



US00D897032S

(12) **United States Design Patent** (10) **Patent No.:** **US D897,032 S**
Rix et al. (45) **Date of Patent:** **** Sep. 22, 2020**

(54) **HEAT MANAGEMENT UNIT FOR A HOOKAH**

8,763,799 B2 7/2014 Haidar
 8,826,915 B2 9/2014 Mehio
 D722,720 S * 2/2015 Garbo D27/162
 (Continued)

(71) Applicant: **Starbuzz Tobacco, Inc.**, Garden Grove, CA (US)

FOREIGN PATENT DOCUMENTS

(72) Inventors: **John Fred Rix**, Tuscon, AZ (US);
Haytham Kalasho, Escondido, CA (US)

CN 202396428 U 8/2012
 CN 206294887 U 7/2017
 DE 20212626 U1 10/2002

(73) Assignee: **Starbuzz Tobacco, Inc.**, Garden Grove, CA (US)

OTHER PUBLICATIONS

(**) Term: **15 Years**

International Search Report and Written Opinion on corresponding PCT application (PCT/US2019/028380) from International Searching Authority (EPO) dated Jul. 18, 2019.

(21) Appl. No.: **29/645,058**

(Continued)

(22) Filed: **Apr. 23, 2018**

Primary Examiner — Marissa J Cash
Assistant Examiner — Rebecca Tsehaye

(51) **LOC (12) Cl.** **27-02**

(74) *Attorney, Agent, or Firm* — Klein, O'Neill & Singh, LLP

(52) **U.S. Cl.**

USPC **D27/162**

(58) **Field of Classification Search**

USPC D27/162, 164, 167; 126/26, 204, 205;
131/328, 214, 173, 200

CPC A24F 1/30

See application file for complete search history.

(57) **CLAIM**

The ornamental design for a heat management unit for a hookah, as shown and described.

DESCRIPTION

FIG. 1 is a perspective view of a heat management unit for a hookah embodying the new design; FIG. 2 is a top plan view thereof; FIG. 3 is a bottom plan view thereof; FIG. 4 is a left side elevation view thereof; FIG. 5 is a right side elevation view thereof; FIG. 6 is a front side elevation view thereof; and, FIG. 7 is a back side elevation view thereof.

The broken lines in the drawings depict portions of the heat management unit for a hookah that form no part of the claimed design.

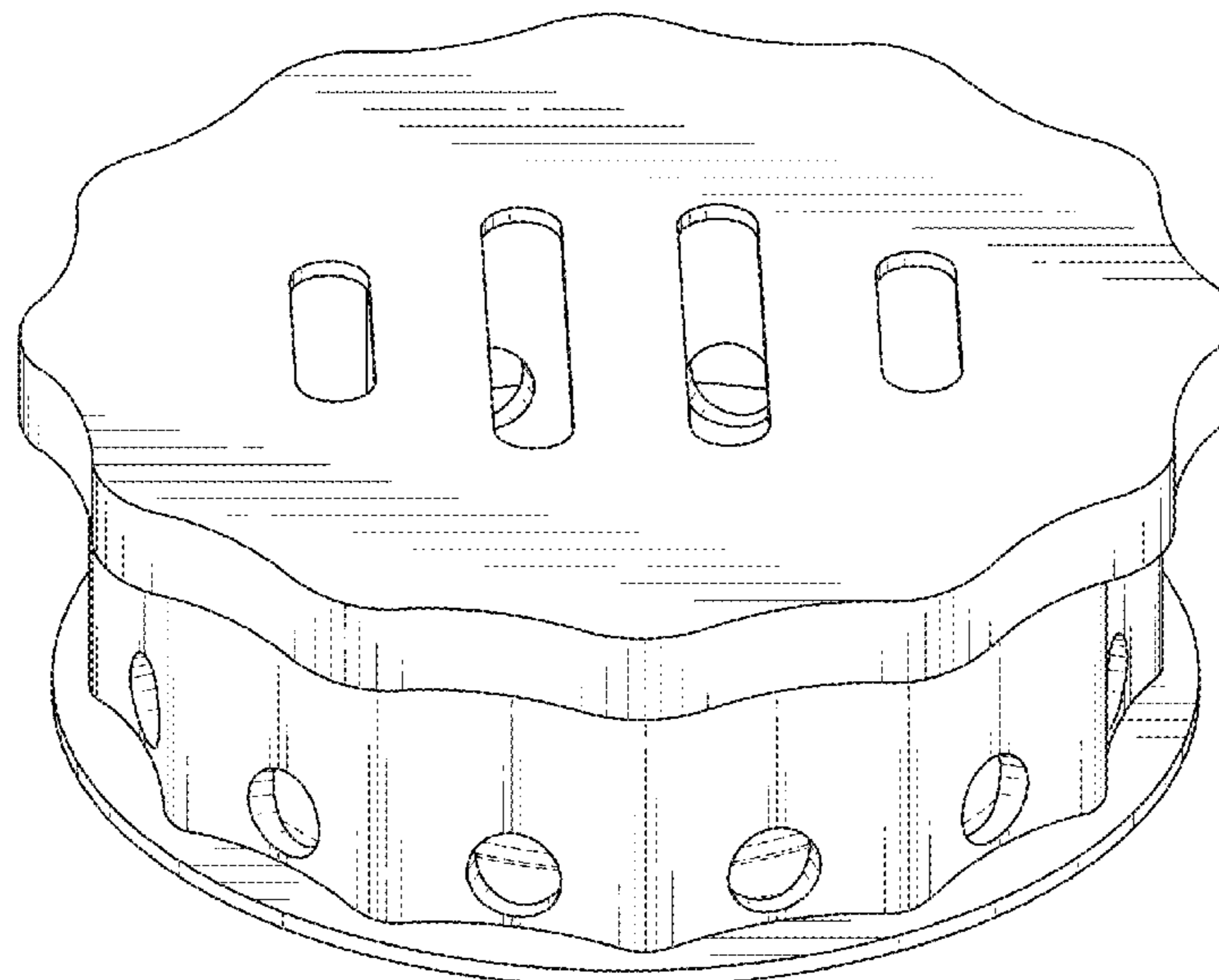
The shading lines only help to show the shape and do not depict any surface decoration.

(56) **References Cited**

U.S. PATENT DOCUMENTS

D254,930 S * 5/1980 Mandon D23/369
 D404,459 S * 1/1999 Furner D22/119
 7,287,530 B1 10/2007 Stuart
 7,798,152 B1 9/2010 Tannous
 7,827,995 B2 11/2010 Chaoui
 D641,464 S * 7/2011 De Haan D23/366
 8,459,269 B2 6/2013 Zoumut
 8,464,725 B2 6/2013 Badawi
 8,490,630 B2 7/2013 Boutros et al.
 8,590,541 B2 11/2013 Mehio
 D698,434 S 1/2014 Wolff
 8,757,170 B2 6/2014 Kaplani

1 Claim, 4 Drawing Sheets



(56)

References Cited

U.S. PATENT DOCUMENTS

| | | | | |
|--------------|-----|---------|---------------|---------|
| D731,465 | S | 6/2015 | Khubani | |
| 9,107,456 | B2 | 8/2015 | Mehio | |
| 9,179,710 | B2 | 11/2015 | Chaoui | |
| 9,237,770 | B2 | 1/2016 | Bavar | |
| 9,247,772 | B2 | 2/2016 | Mehio | |
| D760,430 | S * | 6/2016 | Hanna | D27/162 |
| D767,820 | S * | 9/2016 | Jordan | D27/170 |
| D770,088 | S * | 10/2016 | Abadi | D27/167 |
| D782,108 | S * | 3/2017 | Jordan | D27/167 |
| D787,439 | S * | 5/2017 | Sloan | D13/107 |
| 9,833,018 | B2 | 12/2017 | Mehio | |
| 9,877,517 | B2 | 1/2018 | Liu | |
| D818,078 | S * | 5/2018 | Zhang | D22/122 |
| D841,231 | S | 2/2019 | Hawes et al. | |
| D853,547 | S | 7/2019 | Avidor et al. | |
| D861,977 | S * | 10/2019 | Masri | D27/167 |
| D870,371 | S | 12/2019 | Storz | |
| D873,480 | S | 1/2020 | Hawes et al. | |
| 2007/0056599 | A1 | 3/2007 | Zoumut | |
| 2010/0083973 | A1 | 4/2010 | Zoumut | |
| 2010/0212679 | A1 | 8/2010 | Bishara | |

OTHER PUBLICATIONS

Office Action—Requirement for Restriction/Election on related U.S. application (U.S. Appl. No. 29/645,062) dated May 20, 2020.

* cited by examiner

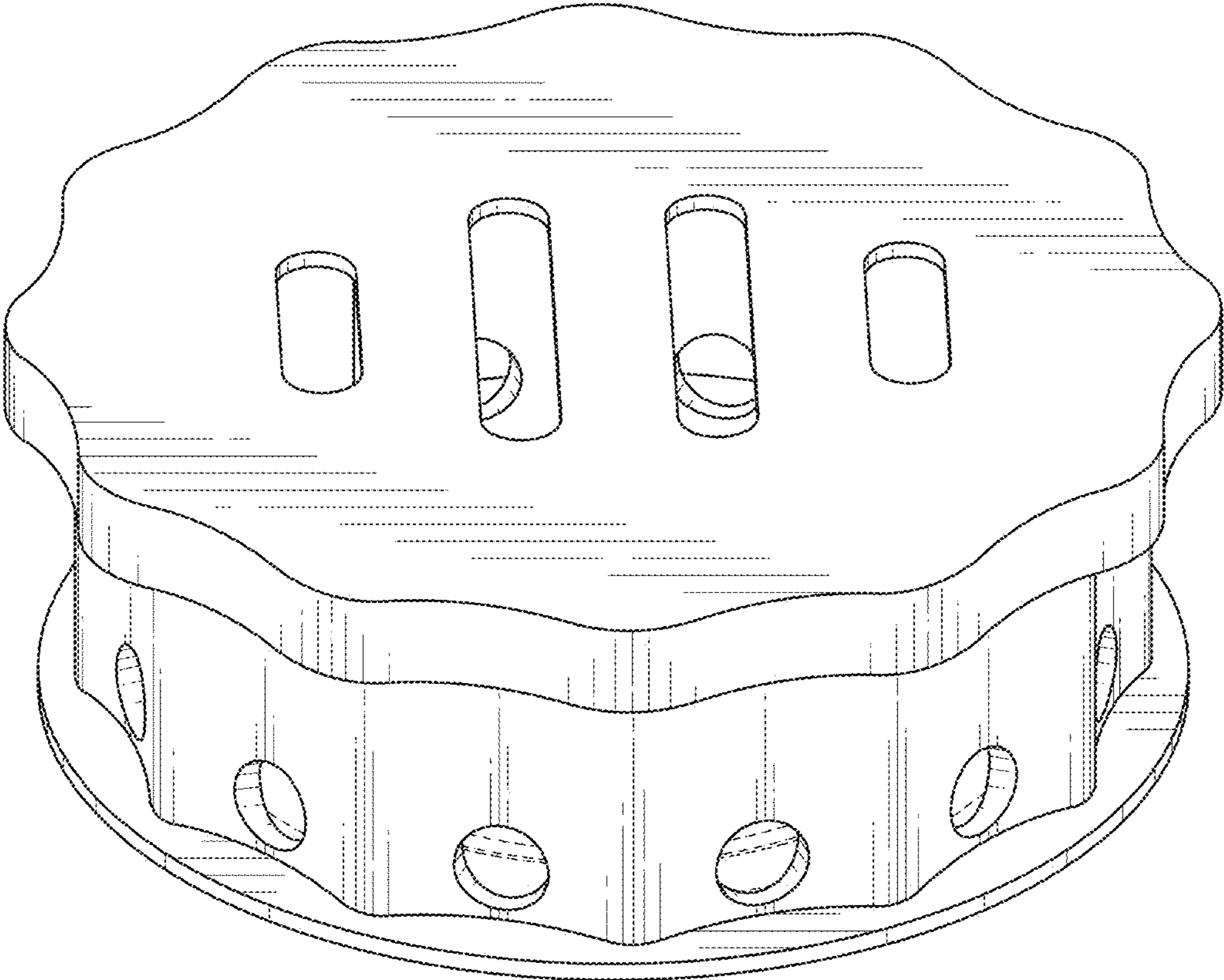


FIG. 1

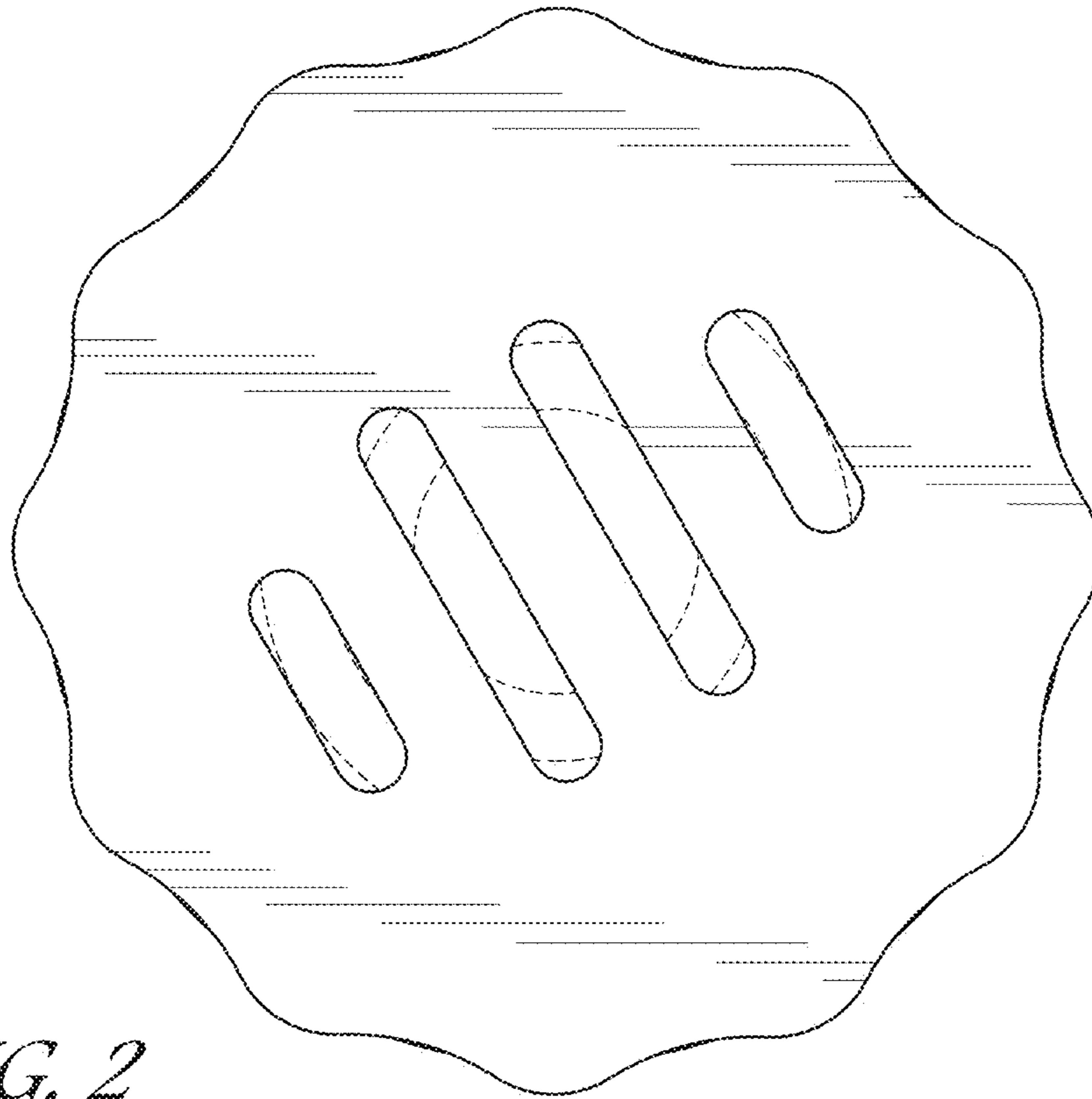


FIG. 2

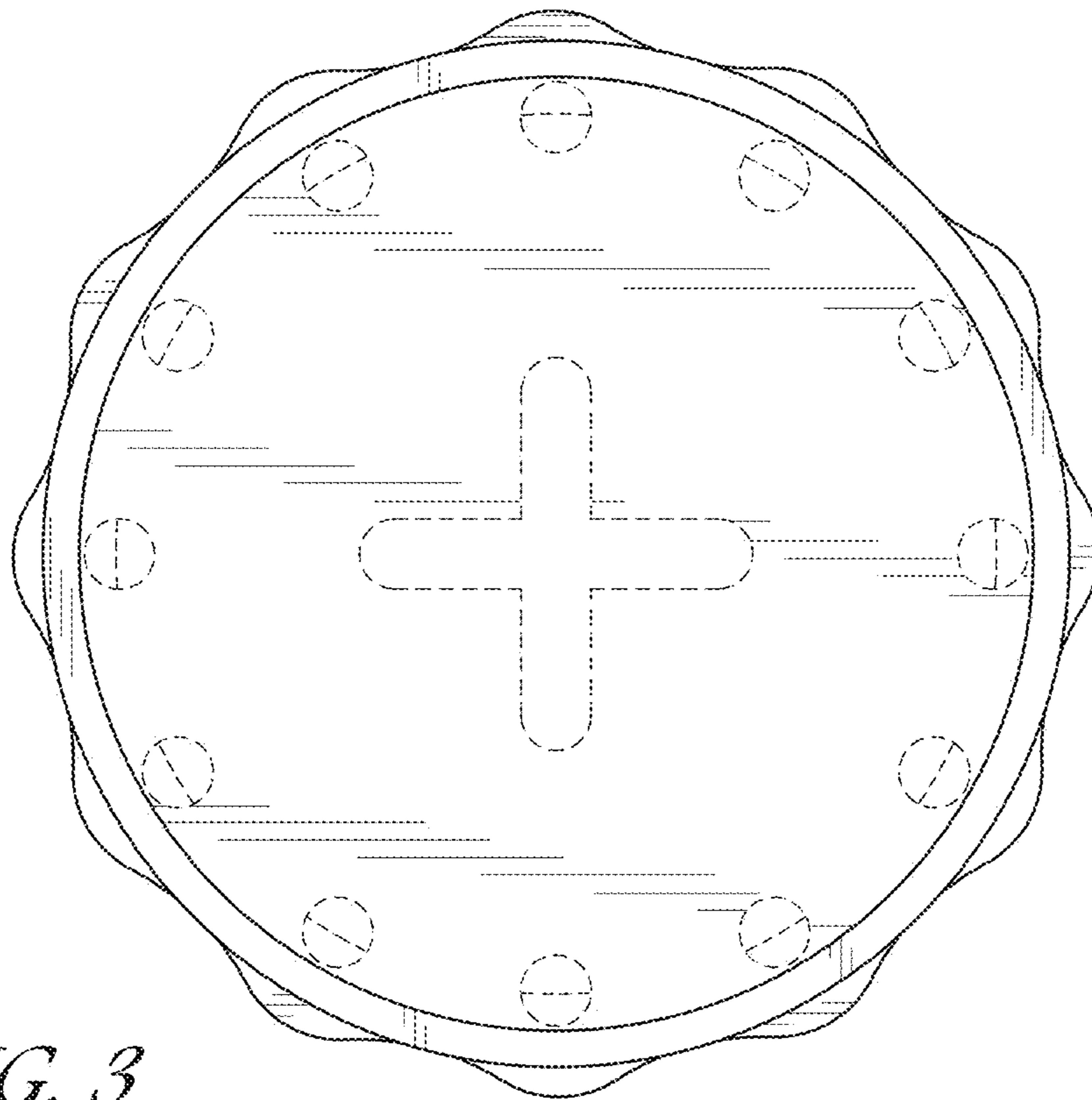


FIG. 3

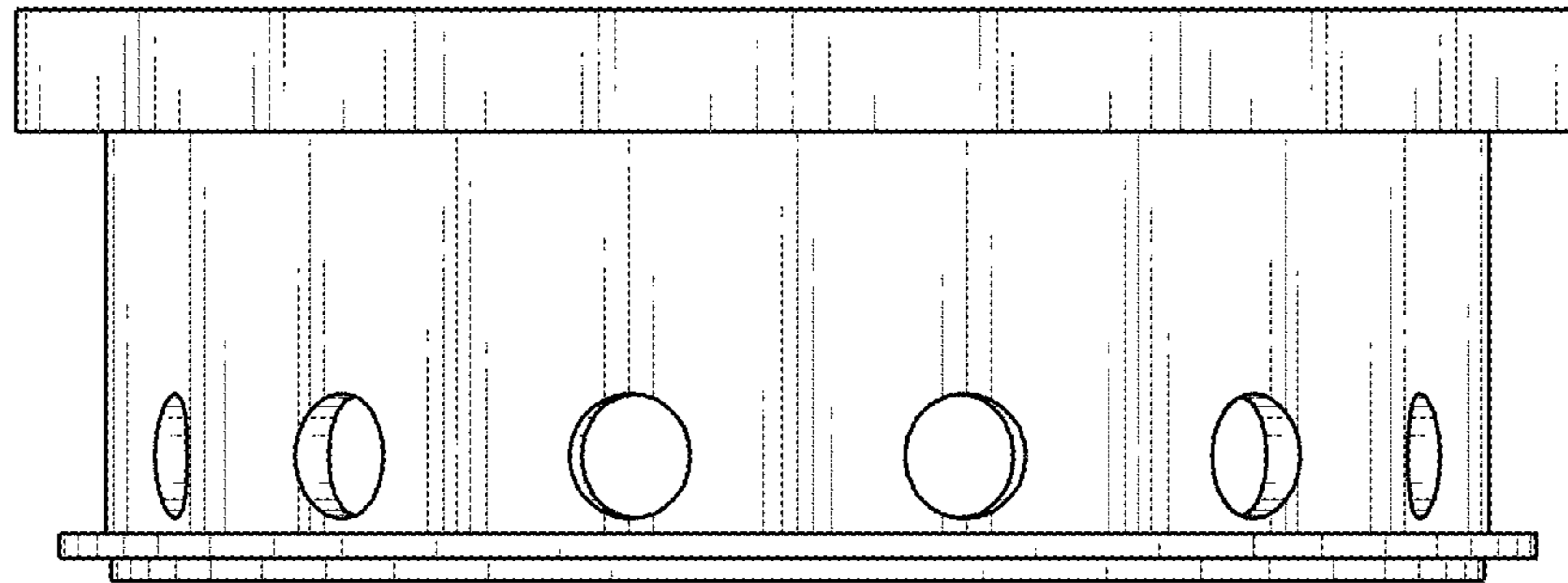


FIG. 4

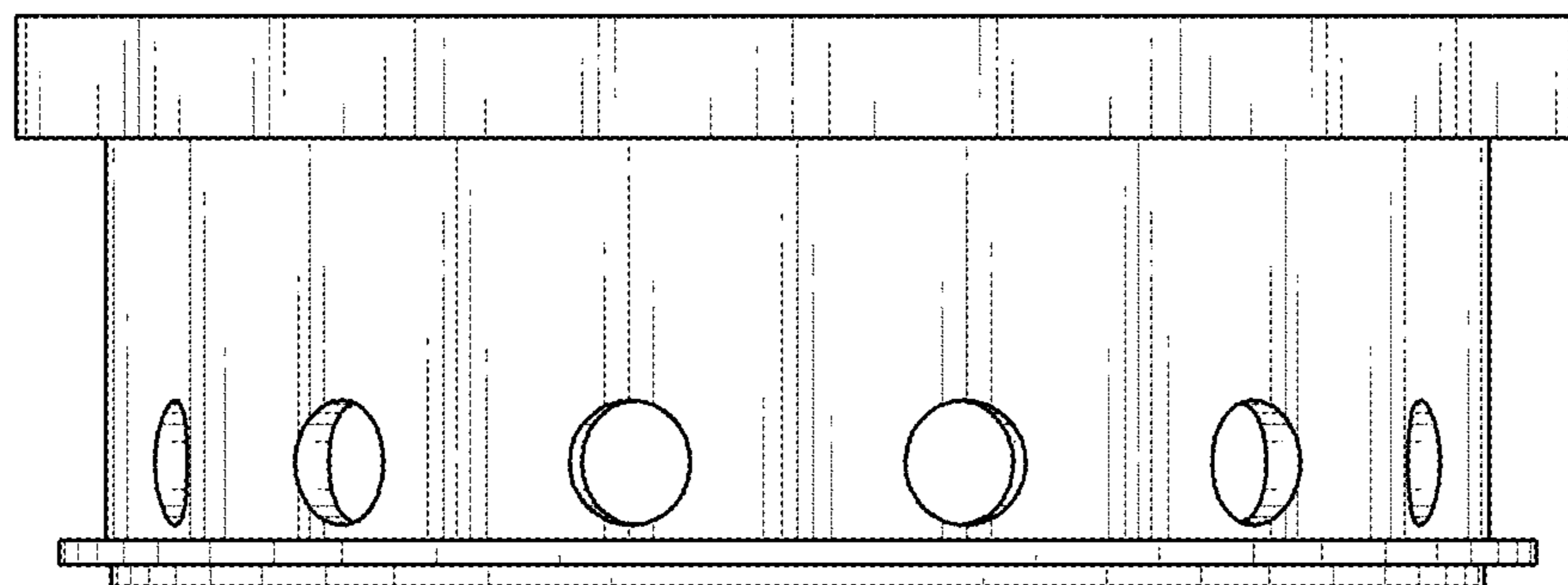


FIG. 5

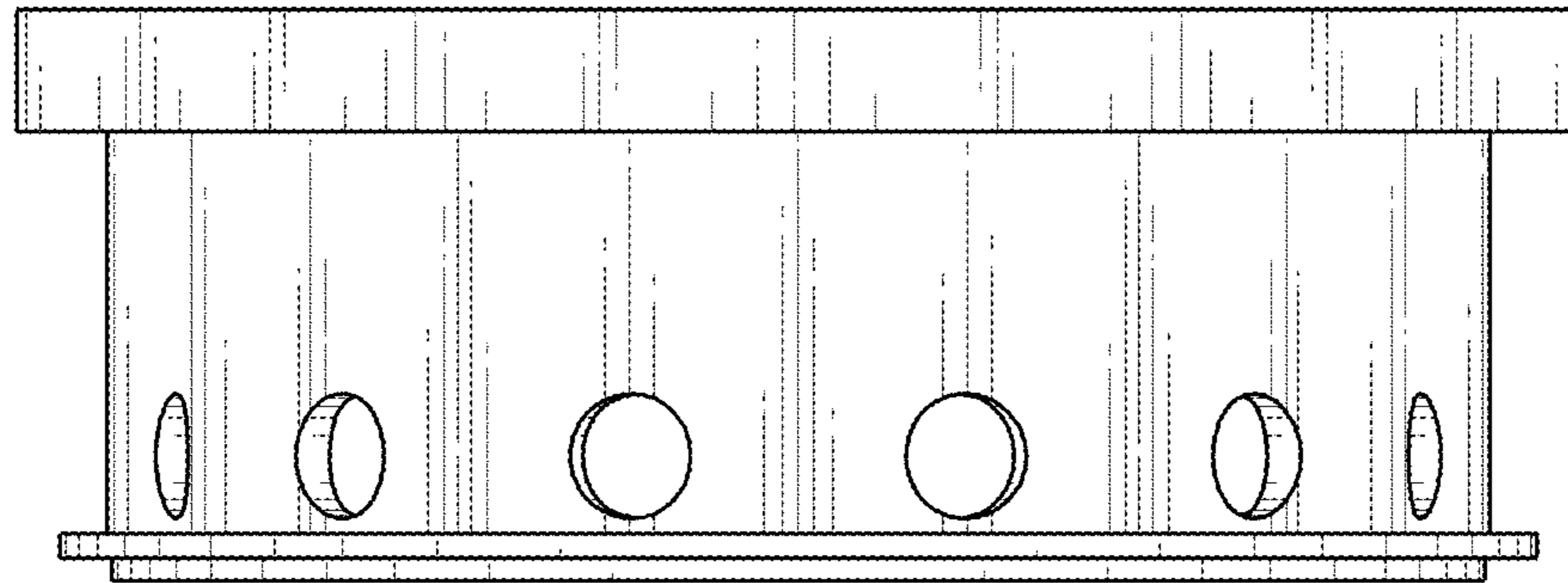


FIG. 6

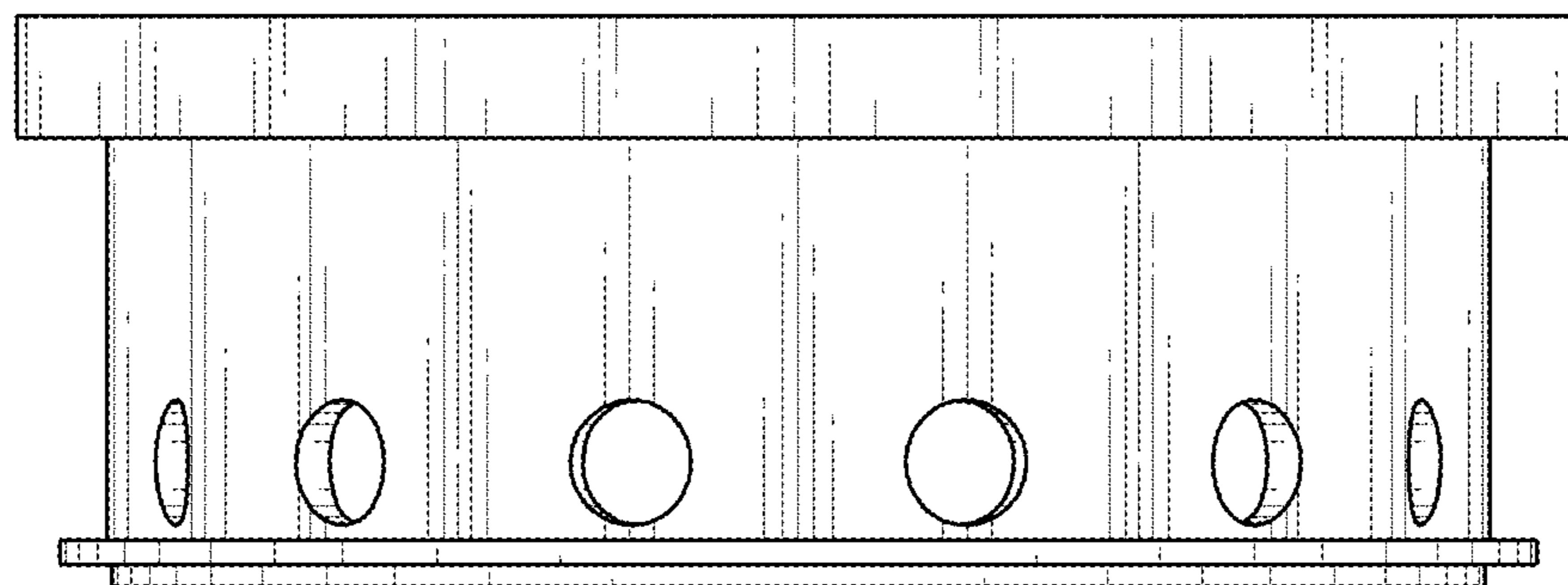


FIG. 7