



US00D897031S

(12) **United States Design Patent**  
**Fischer**

(10) **Patent No.:** **US D897,031 S**

(45) **Date of Patent:** **\*\* Sep. 22, 2020**

(54) **LIGHTER HOLDER WITH PIPE TOOLS**

(71) Applicant: **Brett William Fischer**, Lee's Summit,  
MO (US)

(72) Inventor: **Brett William Fischer**, Lee's Summit,  
MO (US)

(\*\*) Term: **15 Years**

(21) Appl. No.: **29/664,680**

(22) Filed: **Sep. 27, 2018**

(51) **LOC (12) Cl.** ..... **27-05**

(52) **U.S. Cl.**  
USPC ..... **D27/144**

(58) **Field of Classification Search**  
USPC ..... D27/144, 142, 143, 172, 194; 7/118,  
7/119, 151, 152, 158; 30/123, 124, 151;  
131/178, 238, 329, 330; 206/85, 86  
CPC ..... A24F 13/00; B26B 11/001; B26B 11/006;  
B26B 11/003; B26B 11/008; B26B 11/00  
See application file for complete search history.

(56) **References Cited**

**U.S. PATENT DOCUMENTS**

8,726,439 B2 \* 5/2014 Orzeck ..... B25F 1/003  
248/126  
8,887,598 B1 \* 11/2014 Oakley ..... B67B 7/0423  
81/3.09

D737,644 S \* 9/2015 Fischer ..... D27/142  
D743,236 S \* 11/2015 Fischer ..... D8/99  
D744,745 S \* 12/2015 Fischer ..... D3/208  
D753,877 S \* 4/2016 Fischer ..... D27/195  
D782,892 S \* 4/2017 Fischer ..... D8/99  
9,650,234 B1 \* 5/2017 Oakley ..... B67B 7/0423  
D812,293 S \* 3/2018 Fischer ..... D27/195

\* cited by examiner

*Primary Examiner* — Marissa J Cash  
*Assistant Examiner* — Rebecca Tsehaye

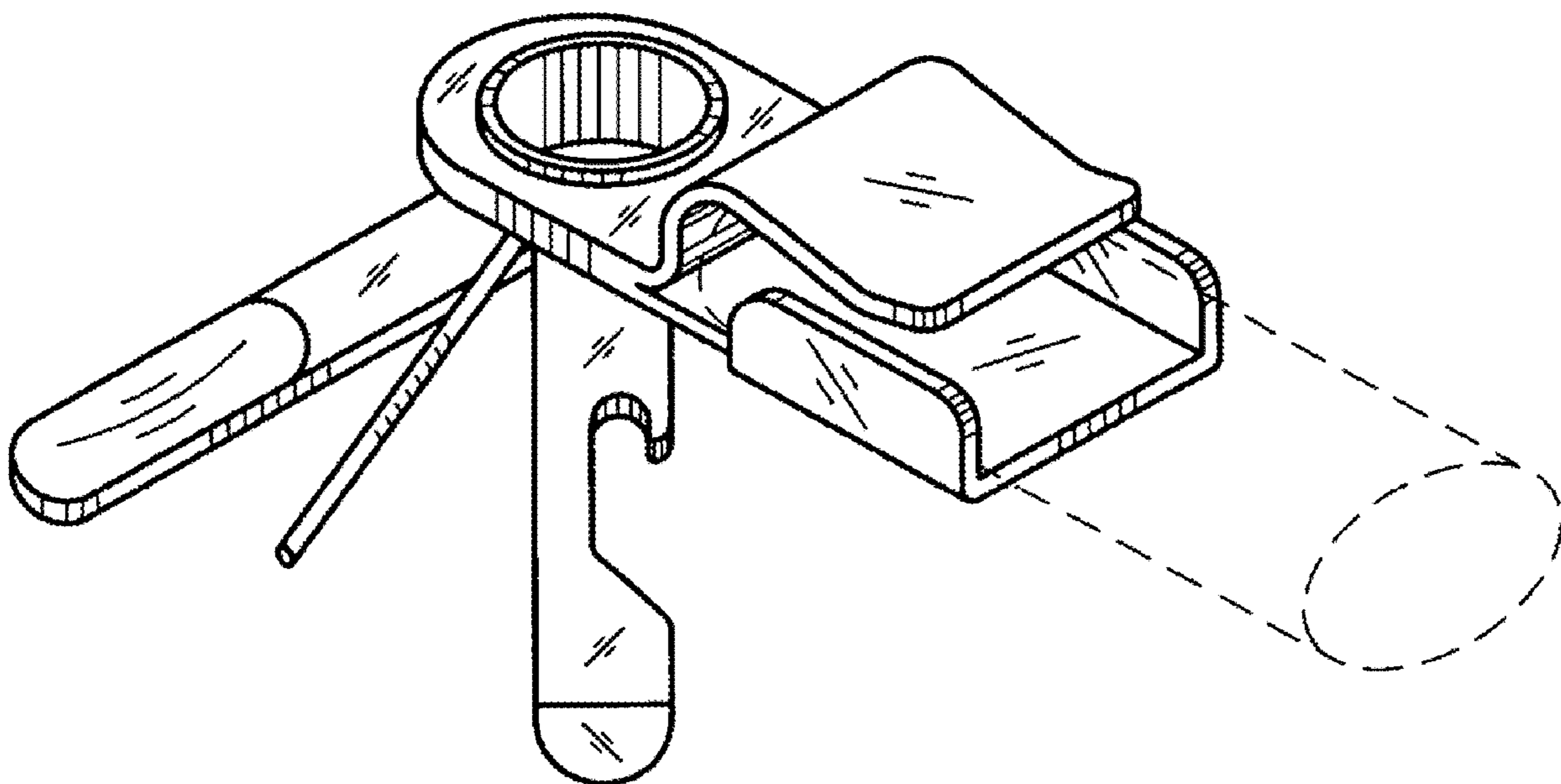
(57) **CLAIM**

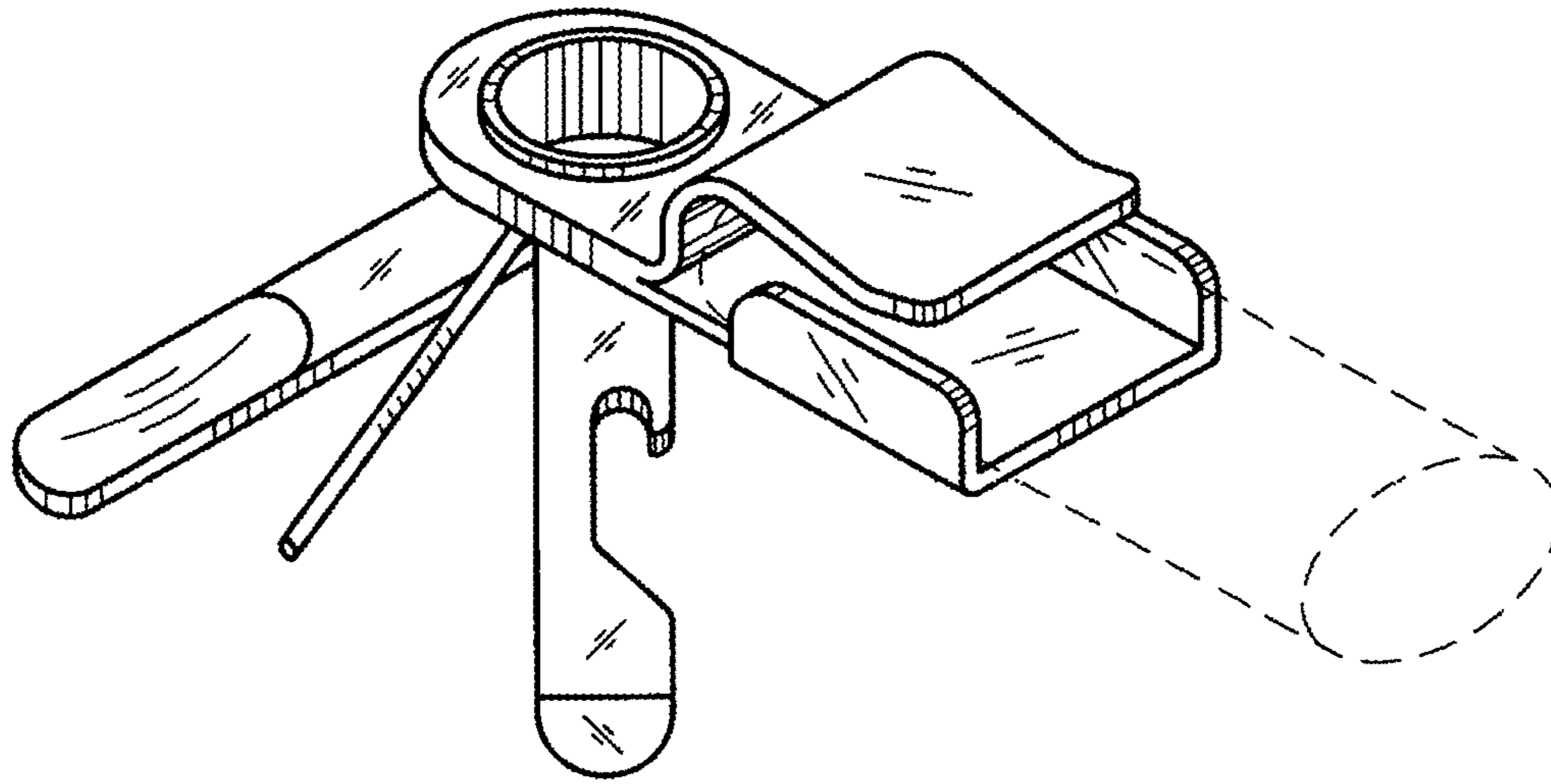
The ornamental design for a lighter holder with pipe tools,  
as shown and described.

**DESCRIPTION**

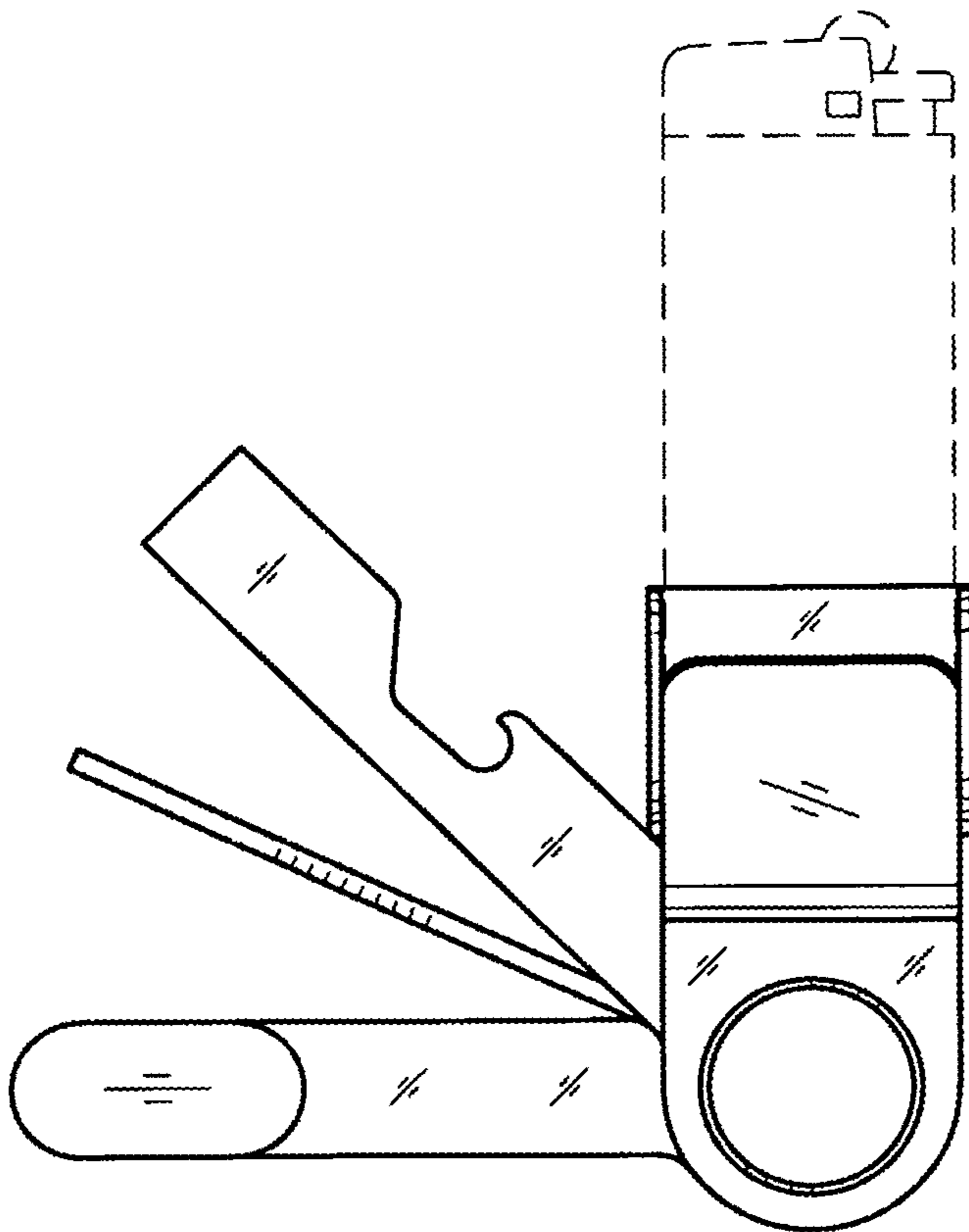
FIG. 1 is a top perspective view of a lighter holder with pipe tools thereof;  
FIG. 2 is a top plan of FIG. 1 thereof;  
FIG. 3 is a top plan view with tools closed thereof;  
FIG. 4 is a bottom plan view with pipe tools closed thereof;  
FIG. 5 is a right elevation view thereof;  
FIG. 6 is an inverted front elevation view thereof;  
FIG. 7 is an inverted rear elevation view thereof; and,  
FIG. 8 is an environmental drawing showing the lighter holder with pipe tools being used as a bottle opener.  
The broken lines showing a lighter, bottle and bottle cap depict environmental subject matter only and form no part of the claimed design.

**1 Claim, 3 Drawing Sheets**

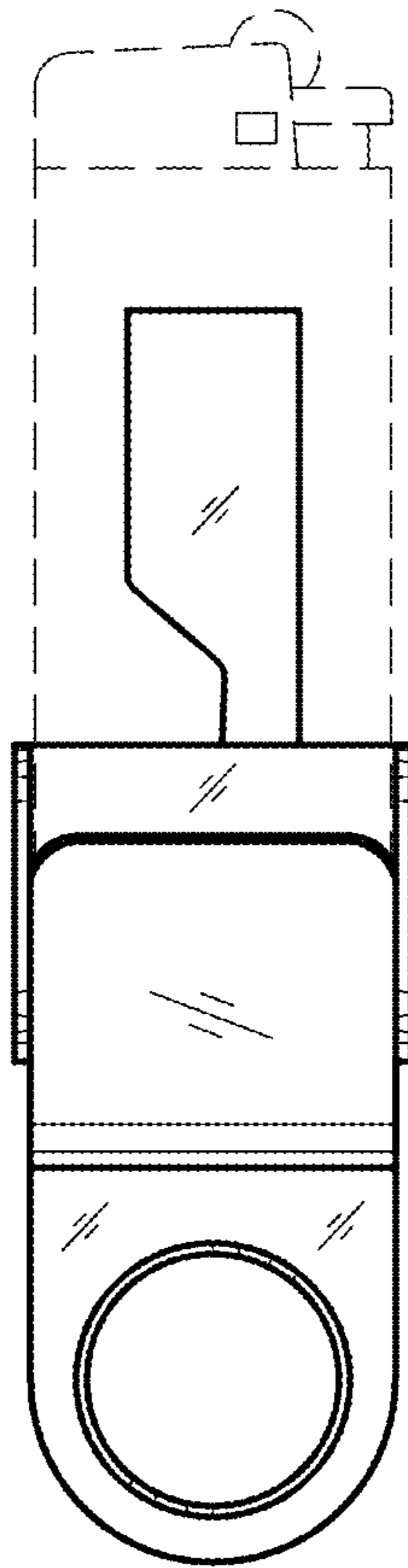




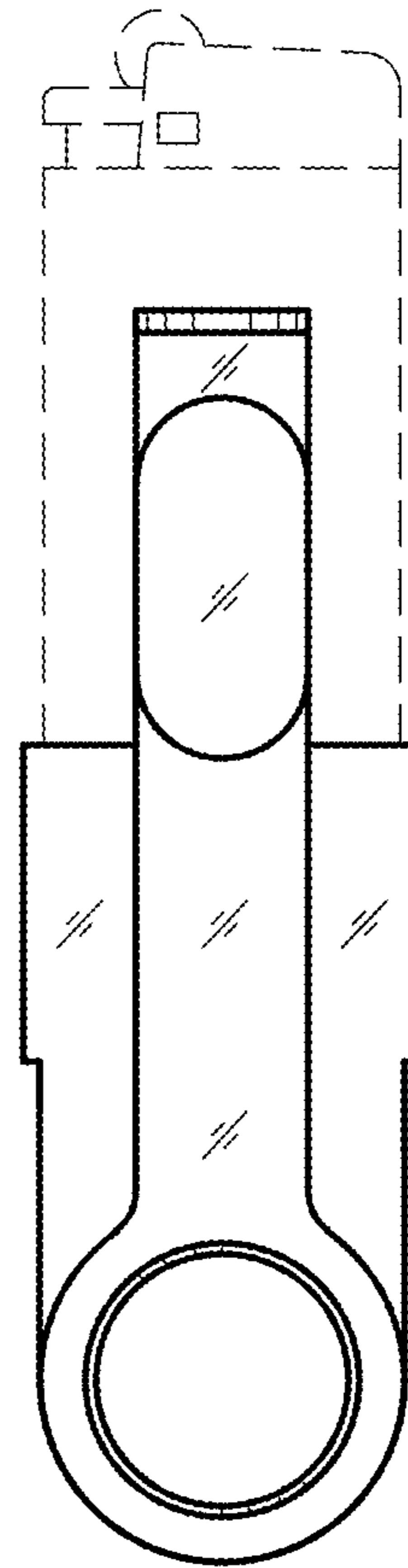
*Fig. 1*



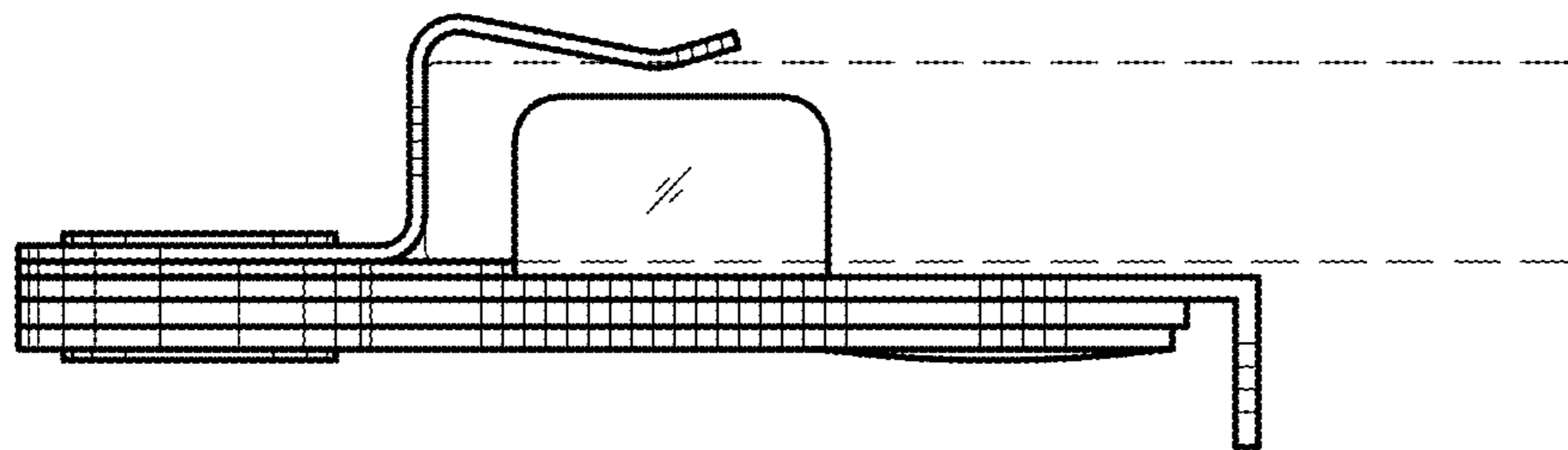
*Fig. 2*



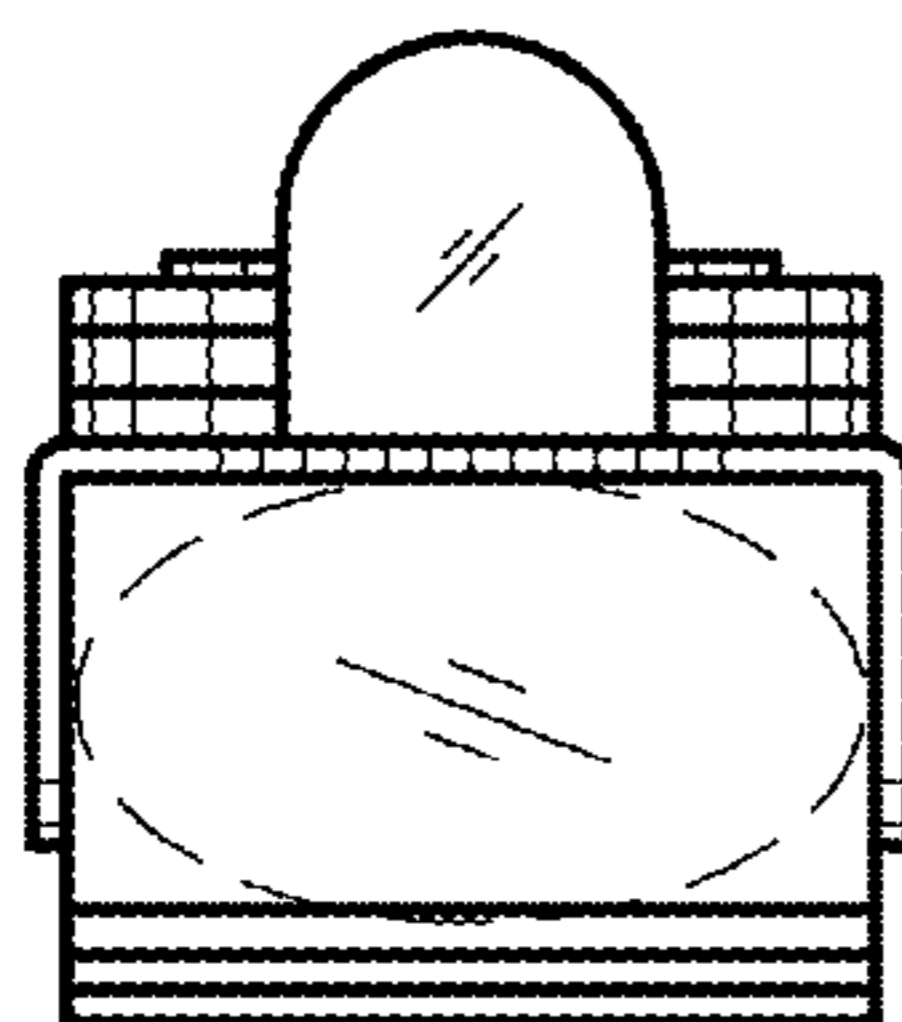
*Fig. 3*



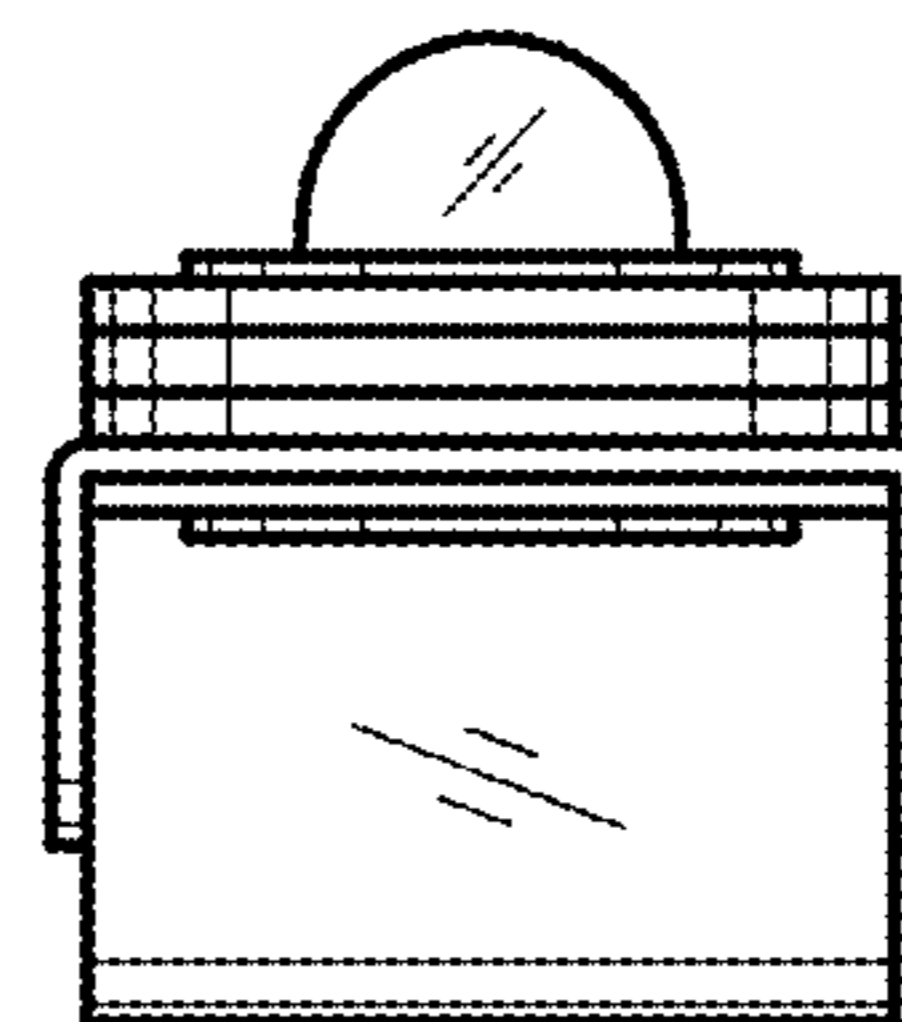
*Fig. 4*



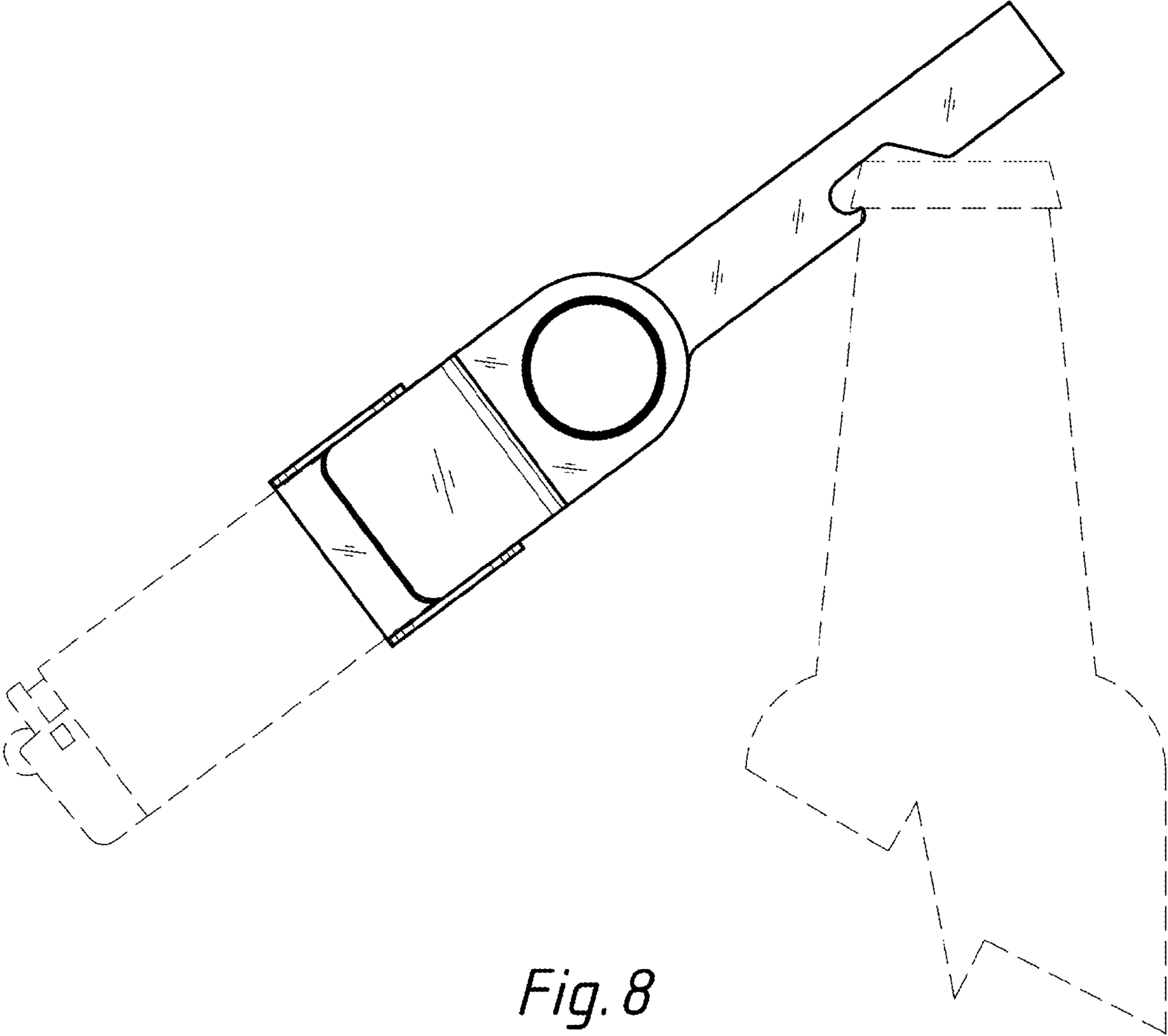
*Fig. 5*



*Fig. 6*



*Fig. 7*



*Fig. 8*