



US00D897027S

(12) **United States Design Patent**
Wu

(10) **Patent No.:** **US D897,027 S**

(45) **Date of Patent:** **** Sep. 22, 2020**

(54) **NIGHT LIGHT**

(71) Applicant: **Shenzhen Equantu Technology Co., Ltd.**, Shenzhen (CN)

(72) Inventor: **Jianhui Wu**, Jiangxi (CN)

(**) Term: **15 Years**

(21) Appl. No.: **29/662,128**

(22) Filed: **Sep. 3, 2018**

(30) **Foreign Application Priority Data**

May 10, 2018 (CN) 2018 3 0210723

(51) **LOC (12) Cl.** **26-05**

(52) **U.S. Cl.**
USPC **D26/107**

(58) **Field of Classification Search**
USPC D26/1, 24, 34, 36, 44, 49, 51, 61, 93,
D26/104, 106, 123, 124, 137; D10/104.1,
D10/107, 114.1, 114.2, 114.8; 362/362,
362/641

CPC F21V 21/00; F21V 21/30; F21V 15/01;
F21V 7/00; F21V 7/04; F21V 7/043;
F21V 7/045; F21V 7/046; F21V 37/0095;
F21S 9/00; F21S 9/022; F21S 8/35; F21S
10/00; F21S 10/007

See application file for complete search history.

(56) **References Cited**

U.S. PATENT DOCUMENTS

D128,125 S * 7/1941 Rutledge D26/24
D254,155 S * 2/1980 Allen D26/104
D392,407 S * 3/1998 Johnson D26/104
D411,322 S * 6/1999 Suzuki D20/10
D563,593 S * 3/2008 Audrito D26/104

D639,492 S * 6/2011 Lee D26/93
D679,854 S * 4/2013 Sun D26/93
D689,221 S * 9/2013 Isaac D26/24
D720,090 S * 12/2014 Toomey D26/24
D724,254 S * 3/2015 Sun D26/101
D731,107 S * 6/2015 Wu D26/104
D738,028 S * 9/2015 Wu D26/98
D765,294 S * 8/2016 Li D26/37
D796,725 S * 9/2017 Recker D26/104
D848,051 S * 5/2019 Huang D26/104
D875,994 S * 2/2020 Yu D26/104
D883,558 S * 5/2020 Zhao D26/106
D884,955 S * 5/2020 Yi D26/104
D885,640 S * 5/2020 Civelekoglu D26/104
D885,643 S * 5/2020 Chen D26/106
2018/0252386 A1 * 9/2018 Kim F21K 9/60

* cited by examiner

Primary Examiner — Wan Laymon

Assistant Examiner — Clint A Samuel

(74) *Attorney, Agent, or Firm* — Prakash Nama; Global IP Services, PLLC

(57) **CLAIM**

The ornamental design for a night light, as shown and described.

DESCRIPTION

FIG. 1 is a front elevational view of a night light showing my new design;

FIG. 2 is a rear elevational view thereof;

FIG. 3 is a left side view thereof;

FIG. 4 is a right side view thereof;

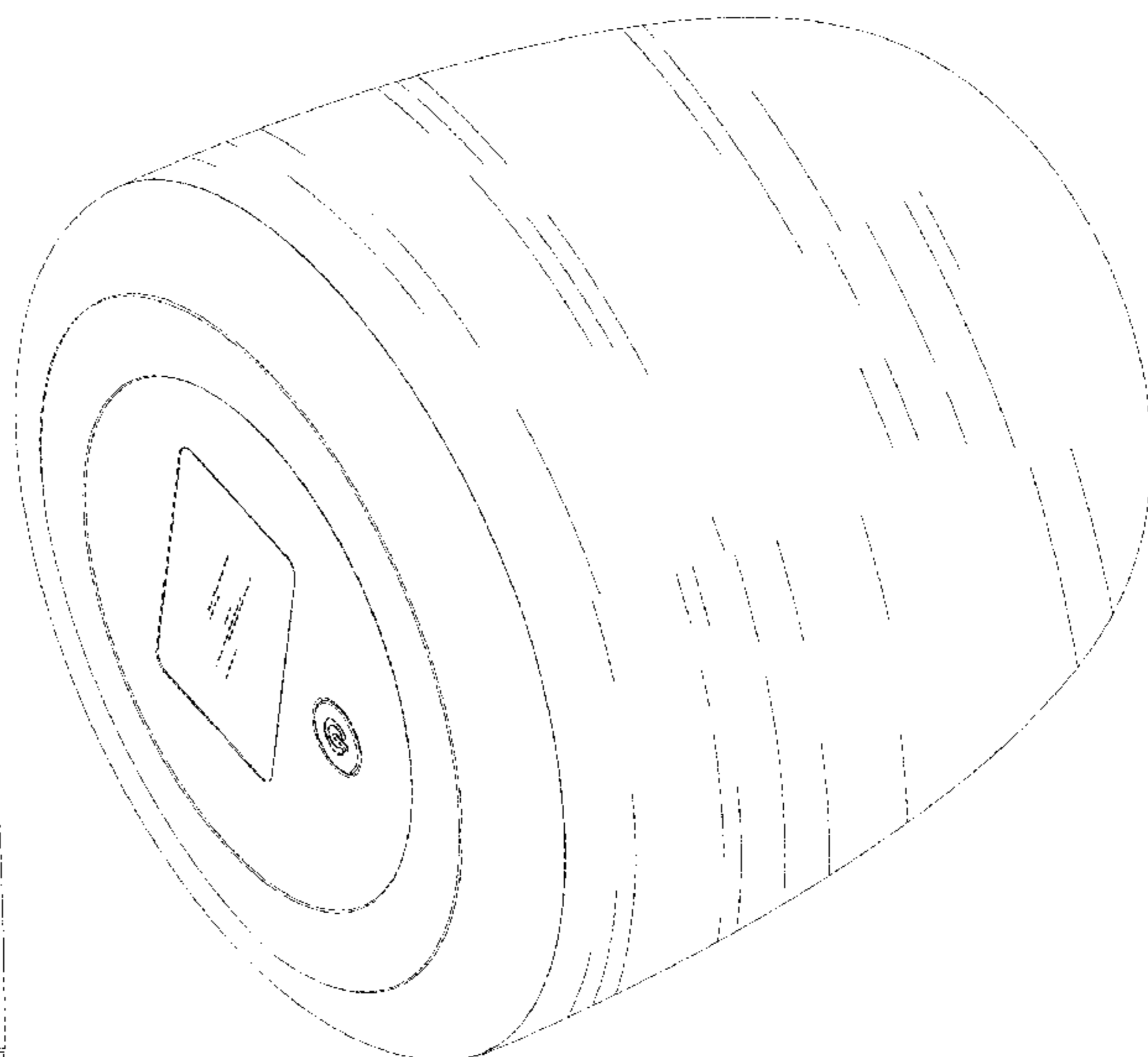
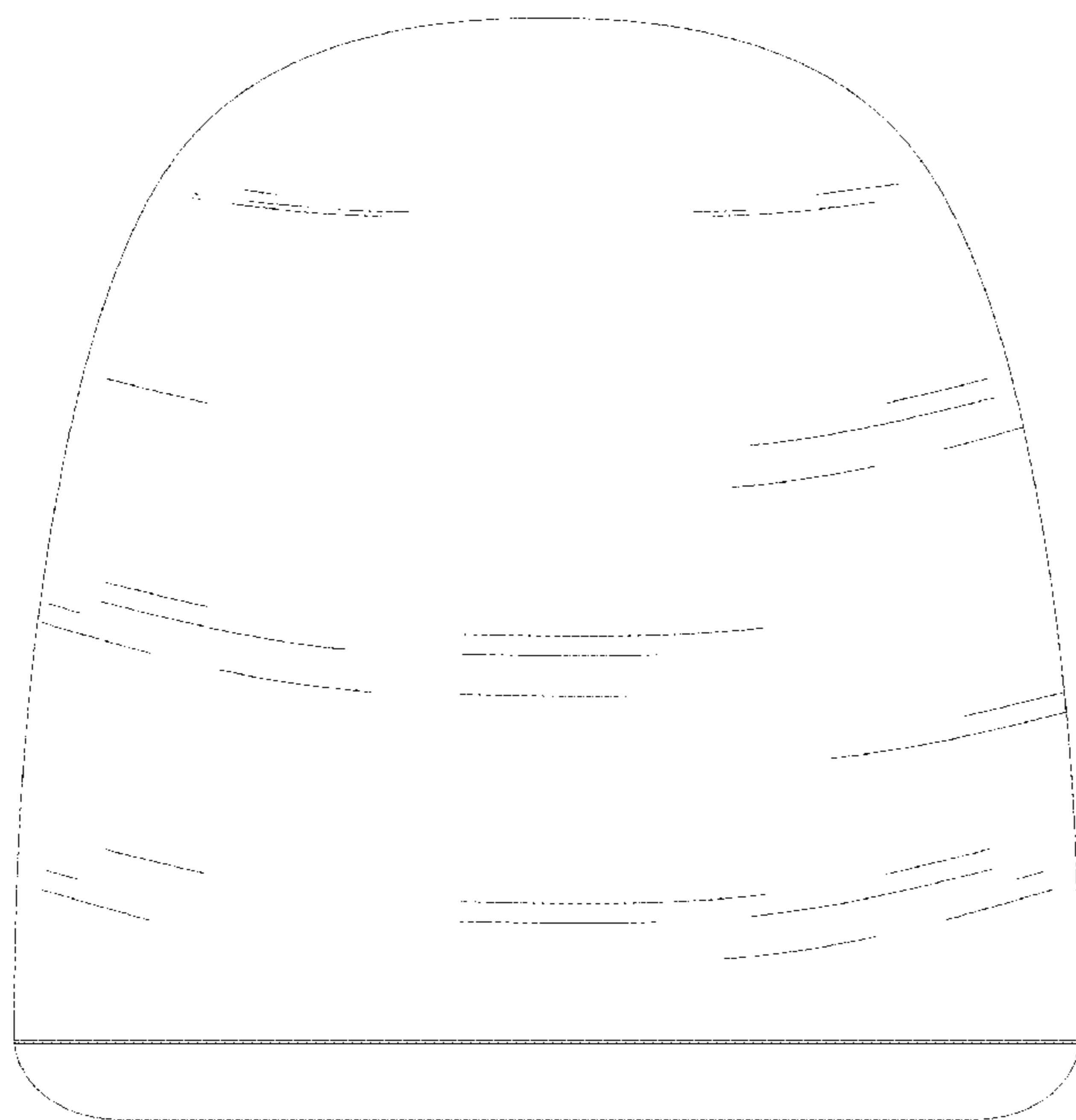
FIG. 5 is an enlarged top view thereof;

FIG. 6 is an enlarged bottom plan view thereof;

FIG. 7 is a bottom perspective view thereof; and,

FIG. 8 is a top perspective view thereof.

1 Claim, 8 Drawing Sheets



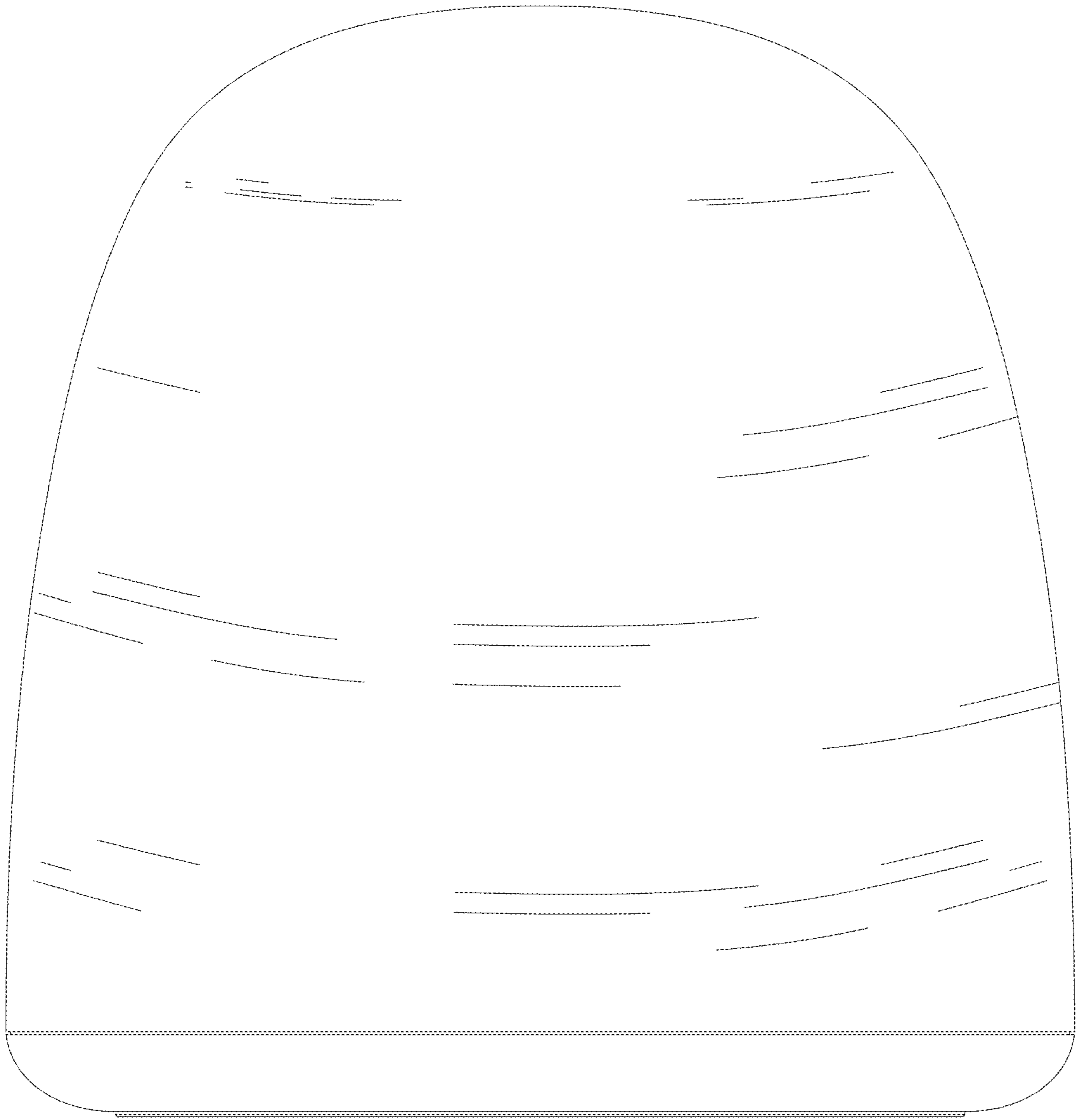


Fig. 1

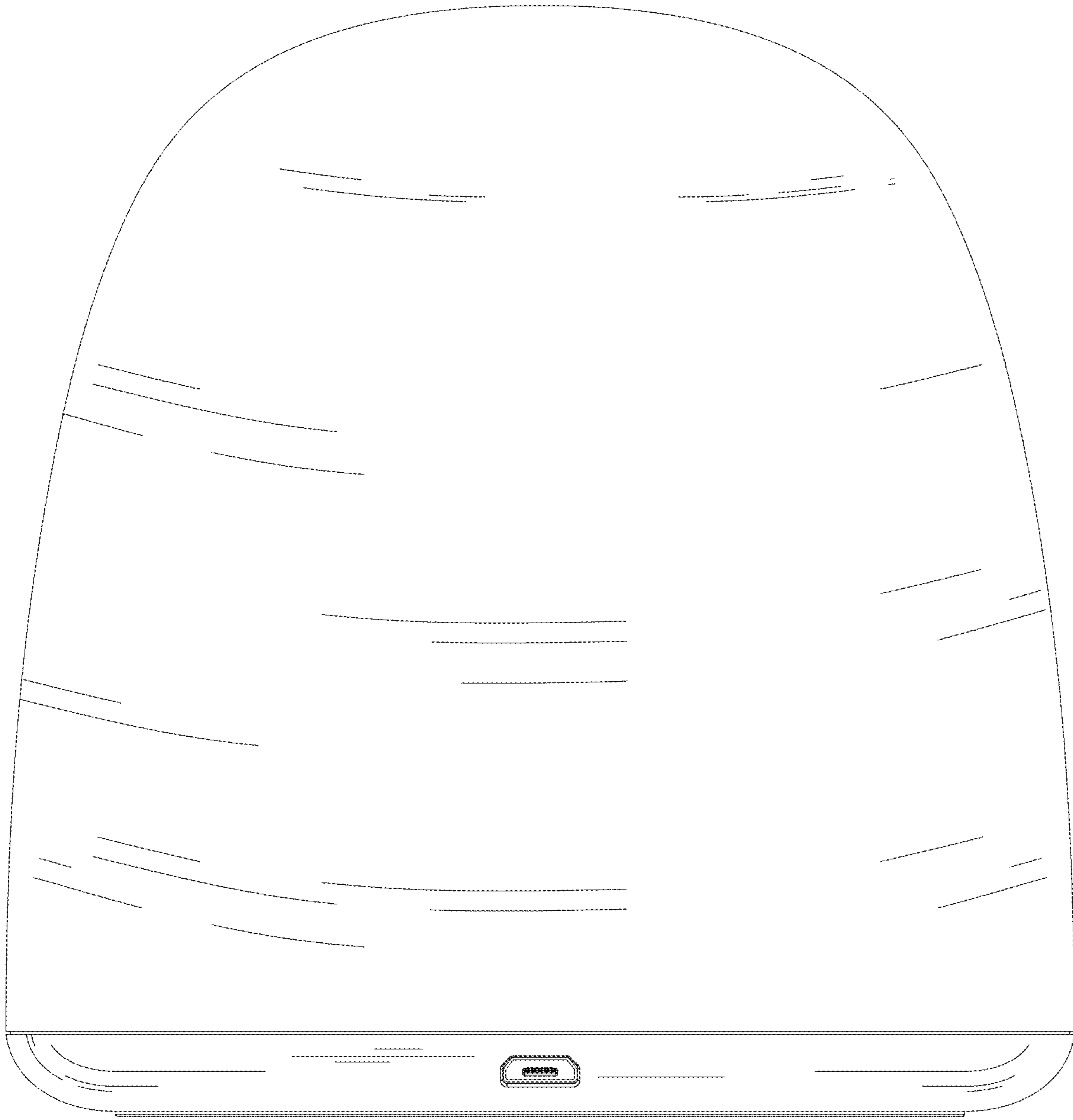


Fig. 2

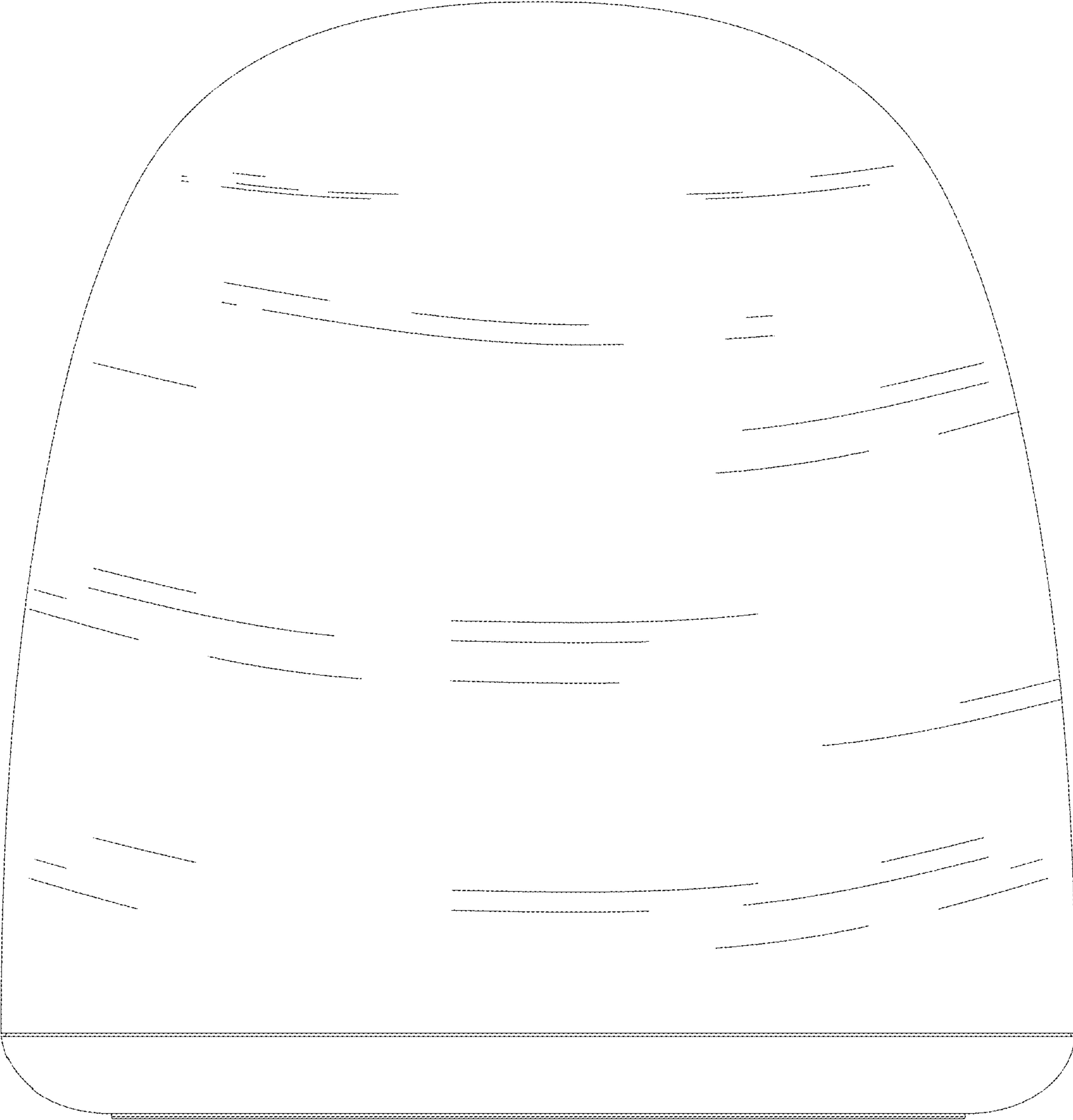


Fig. 3

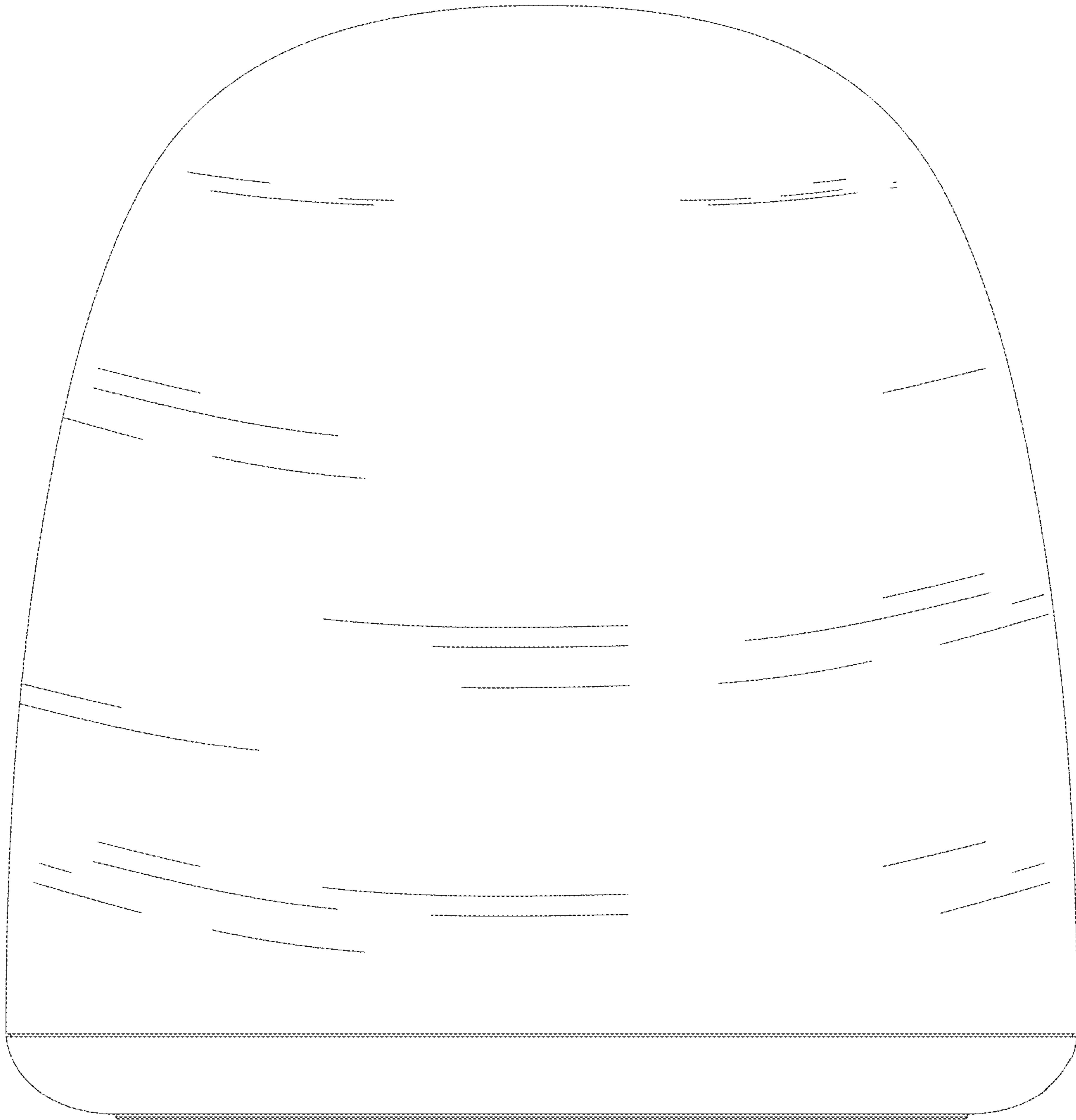


Fig. 4

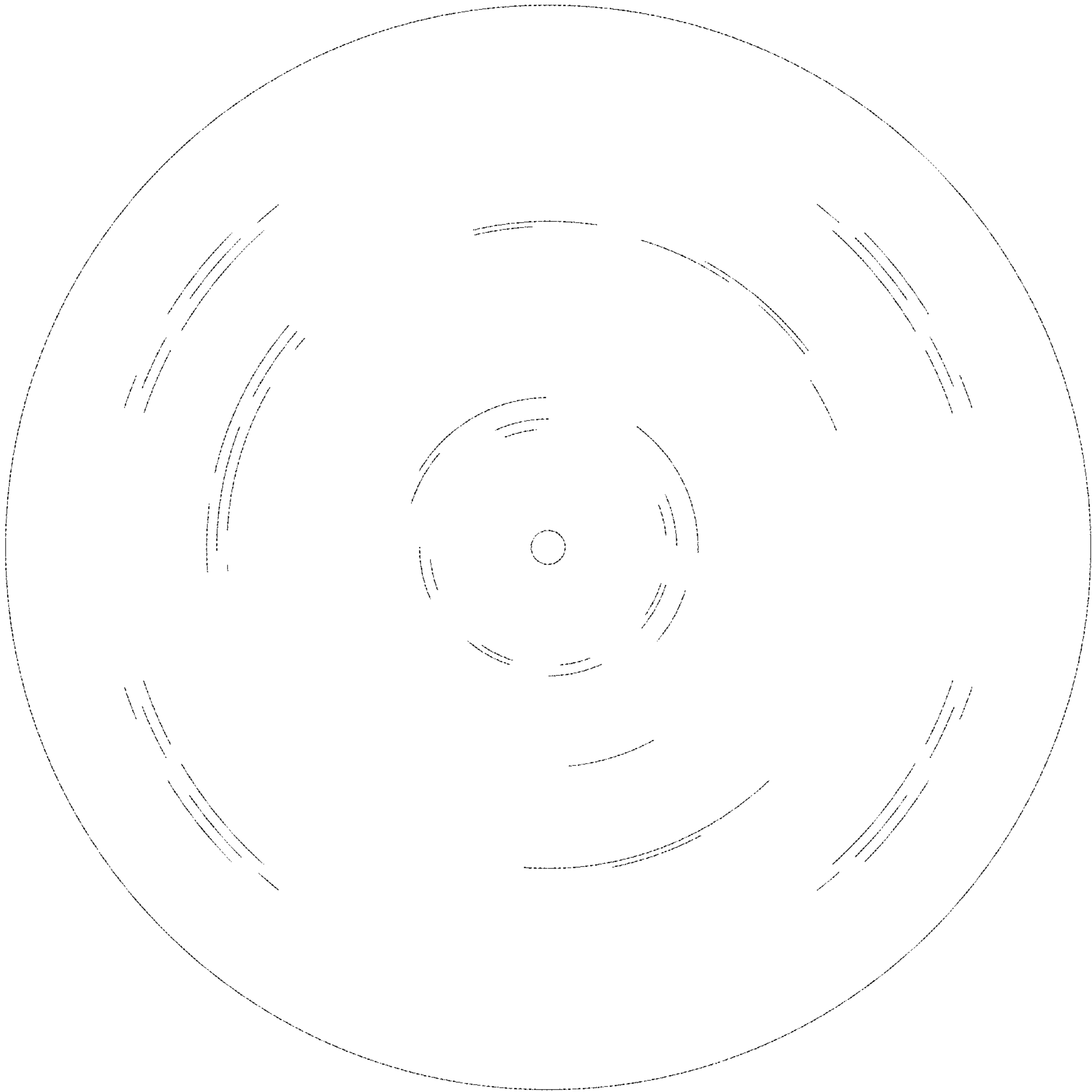


Fig. 5

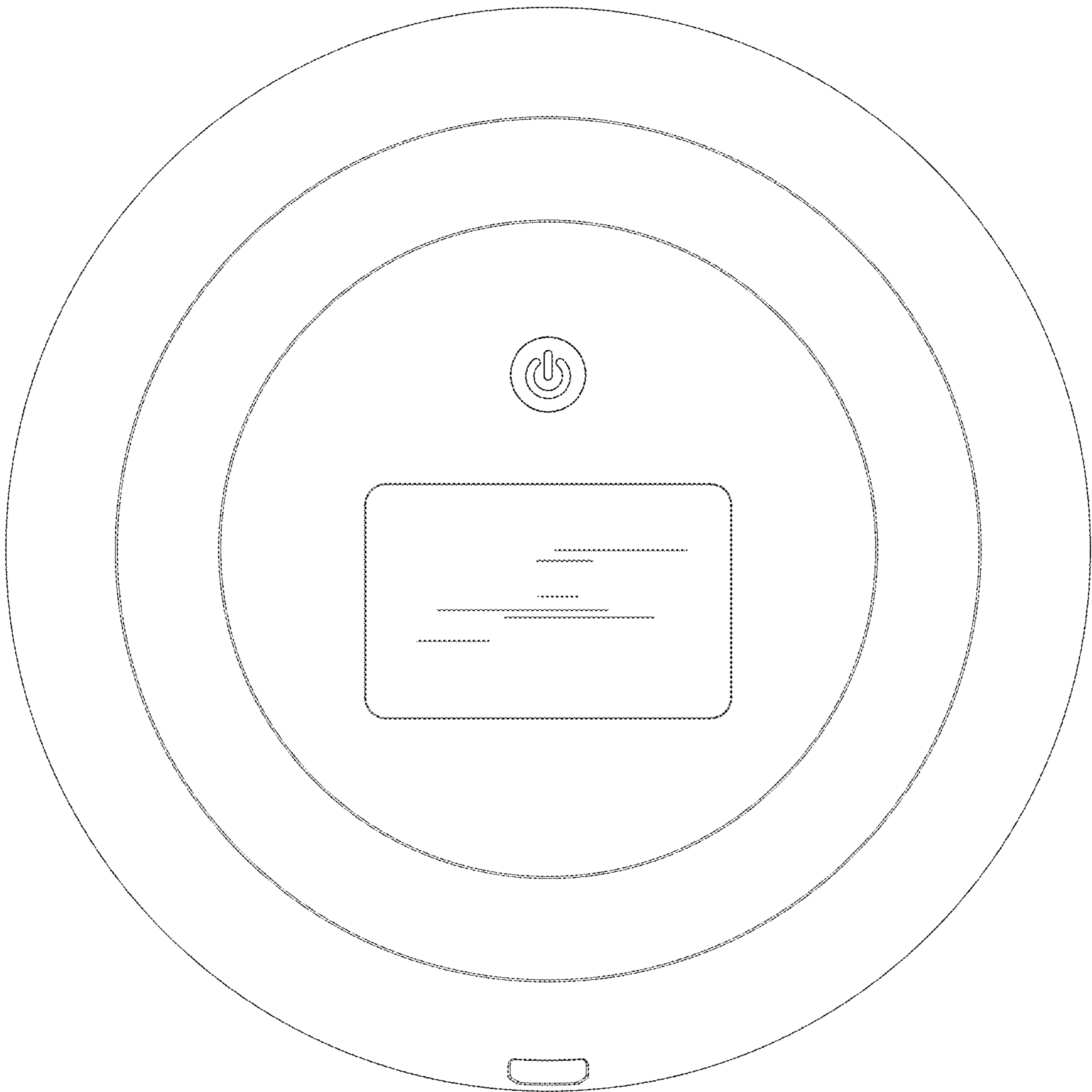


Fig. 6

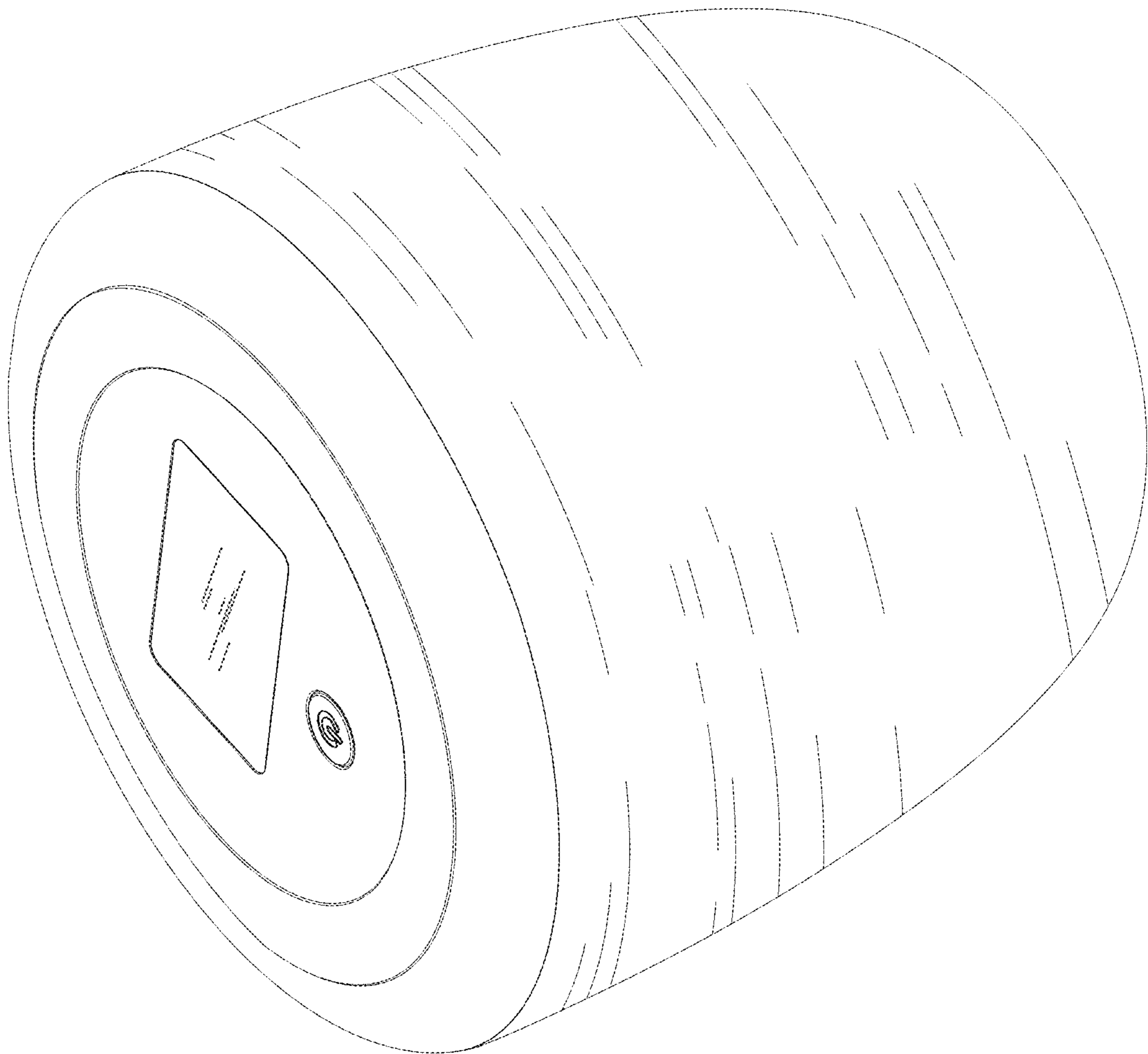


Fig. 7

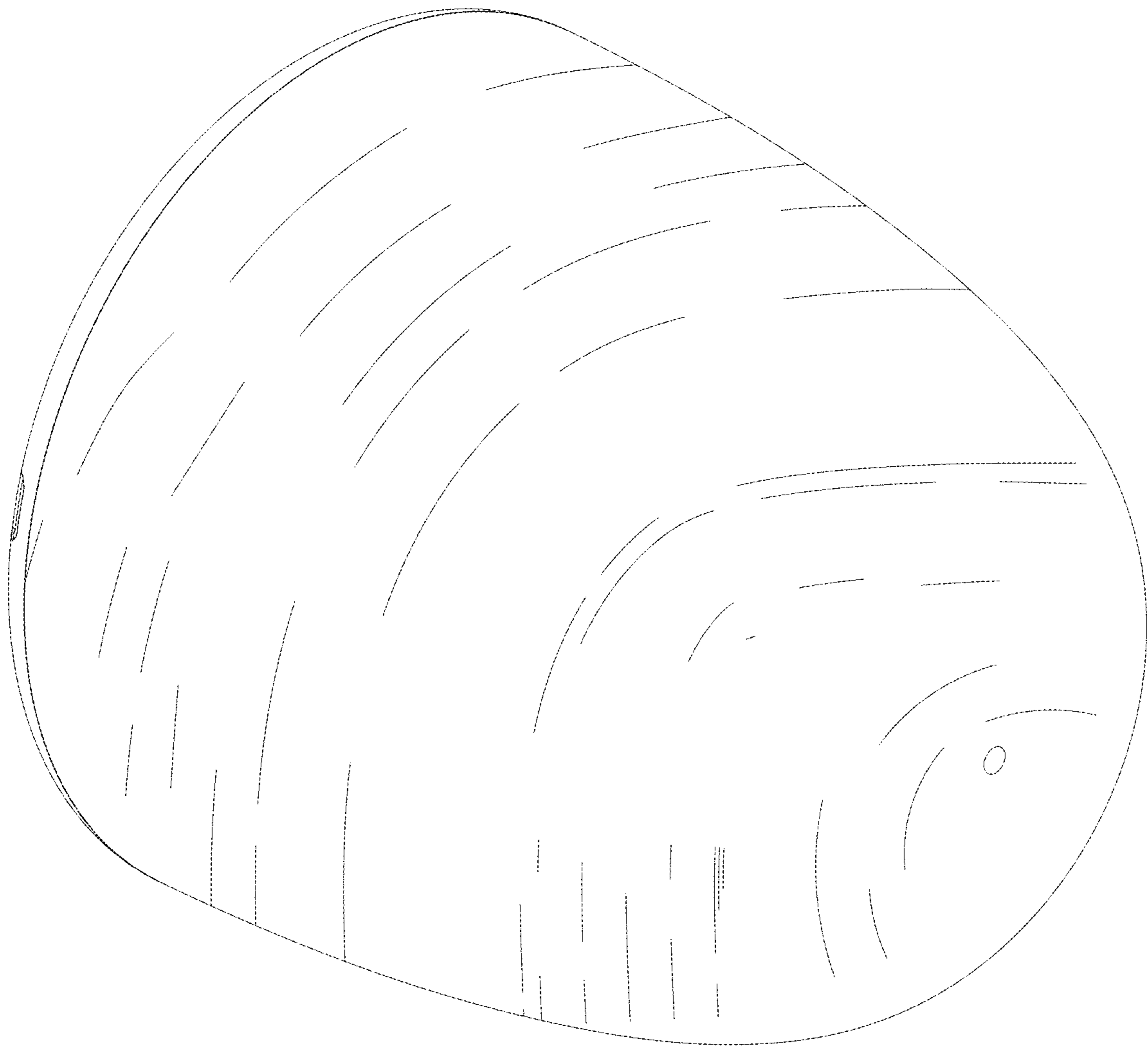


Fig. 8