



US00D897026S

(12) **United States Design Patent**  
**Greenwaldt**

(10) **Patent No.:** **US D897,026 S**

(45) **Date of Patent:** **\*\* Sep. 22, 2020**

(54) **LIGHT FIXTURE**

D808,569 S \* 1/2018 Ban ..... D26/85  
D829,359 S \* 9/2018 Zhang ..... D26/85  
D861,953 S \* 10/2019 Deng ..... D26/85

(71) Applicant: **Phoenix Products LLC**, Milwaukee,  
WI (US)

(72) Inventor: **Erwin W. Greenwaldt**, Cedarburg, WI  
(US)

(73) Assignee: **Phoenix Products LLC**, Milwaukee,  
WI (US)

(\*\*) Term: **15 Years**

(21) Appl. No.: **29/663,367**

(22) Filed: **Sep. 14, 2018**

(51) **LOC (12) Cl.** ..... **26-03**

(52) **U.S. Cl.**  
USPC ..... **D26/85**

(58) **Field of Classification Search**  
USPC ..... D26/85, 87, 92; D10/106.6, 106.8  
CPC .... F21S 8/03; F21S 8/033; F21S 8/036; F21S  
9/037; F21S 9/022; F21S 9/024; F21S  
9/03; F21S 9/035; F21W 2131/107;  
F21W 2121/004; F21W 2111/023; G08B  
13/193

See application file for complete search history.

(56) **References Cited**

**U.S. PATENT DOCUMENTS**

D151,626 S \* 11/1948 Kress ..... D26/85  
D189,857 S \* 3/1961 Lasker ..... D26/85  
D626,270 S \* 10/2010 Waldmann ..... D26/85  
D676,590 S \* 2/2013 Fang ..... D26/80  
D728,142 S \* 4/2015 Dungan ..... D26/85  
D783,881 S \* 4/2017 Hollander ..... D26/85

**OTHER PUBLICATIONS**

Wayfinder LED Accessway Light specification sheet, from phoenixlighting.com dated May 8, 2019. (Year: 2019).\*

\* cited by examiner

*Primary Examiner* — Clare E Heflin

(74) *Attorney, Agent, or Firm* — James Joyce; Godfrey & Kahn, S.C.

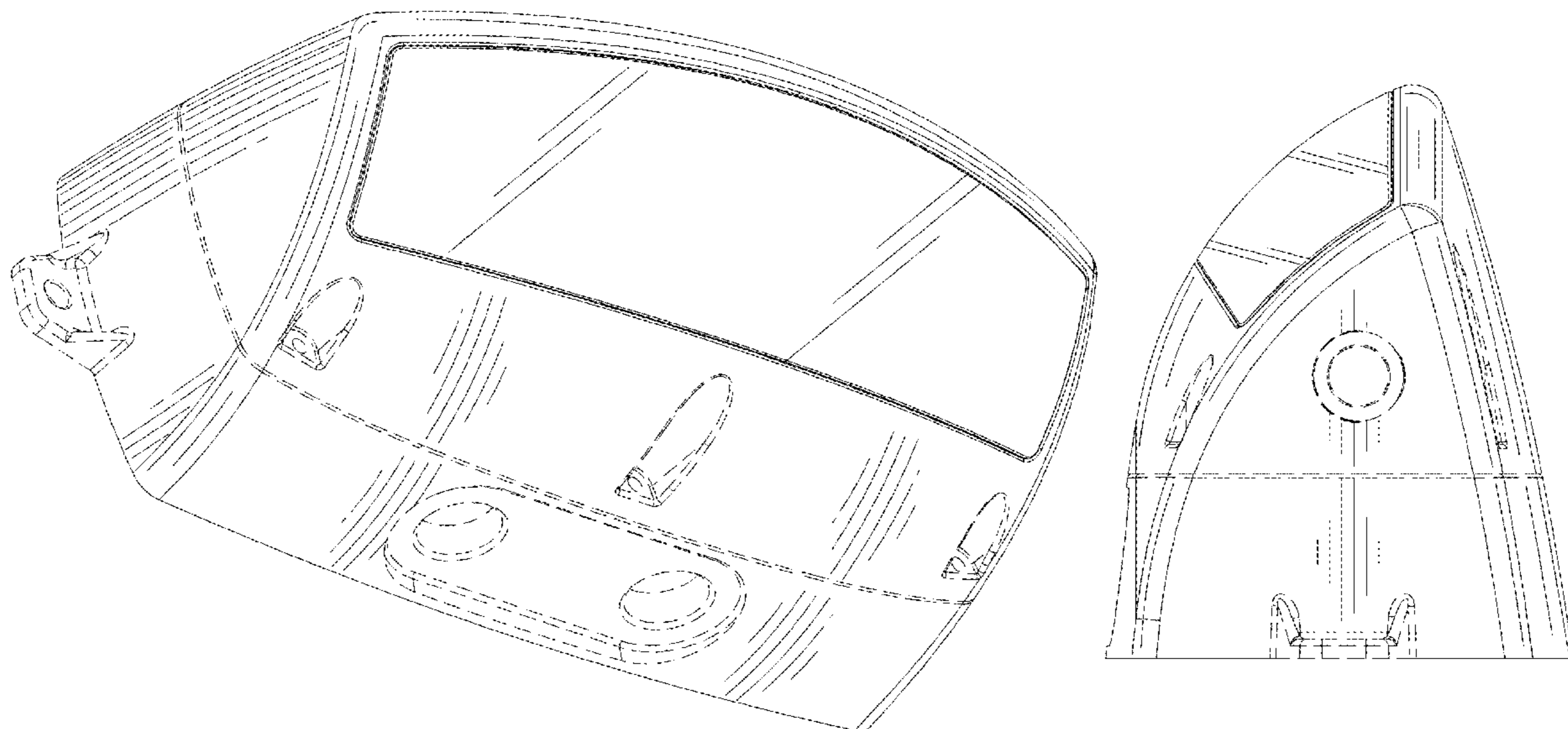
(57) **CLAIM**

The ornamental design for a light fixture, as shown and described.

**DESCRIPTION**

FIG. 1 is a front view of a light fixture showing our new design;  
FIG. 2 is a bottom front perspective view thereof;  
FIG. 3 is a top rear perspective view thereof;  
FIG. 4 is a top view thereof;  
FIG. 5 is a bottom view thereof;  
FIG. 6 is a rear view thereof;  
FIG. 7 is a left side view thereof; and,  
FIG. 8 is a right side view thereof.  
The broken lines in the figures show portions of the light fixture that form no part of the claimed design.

**1 Claim, 7 Drawing Sheets**



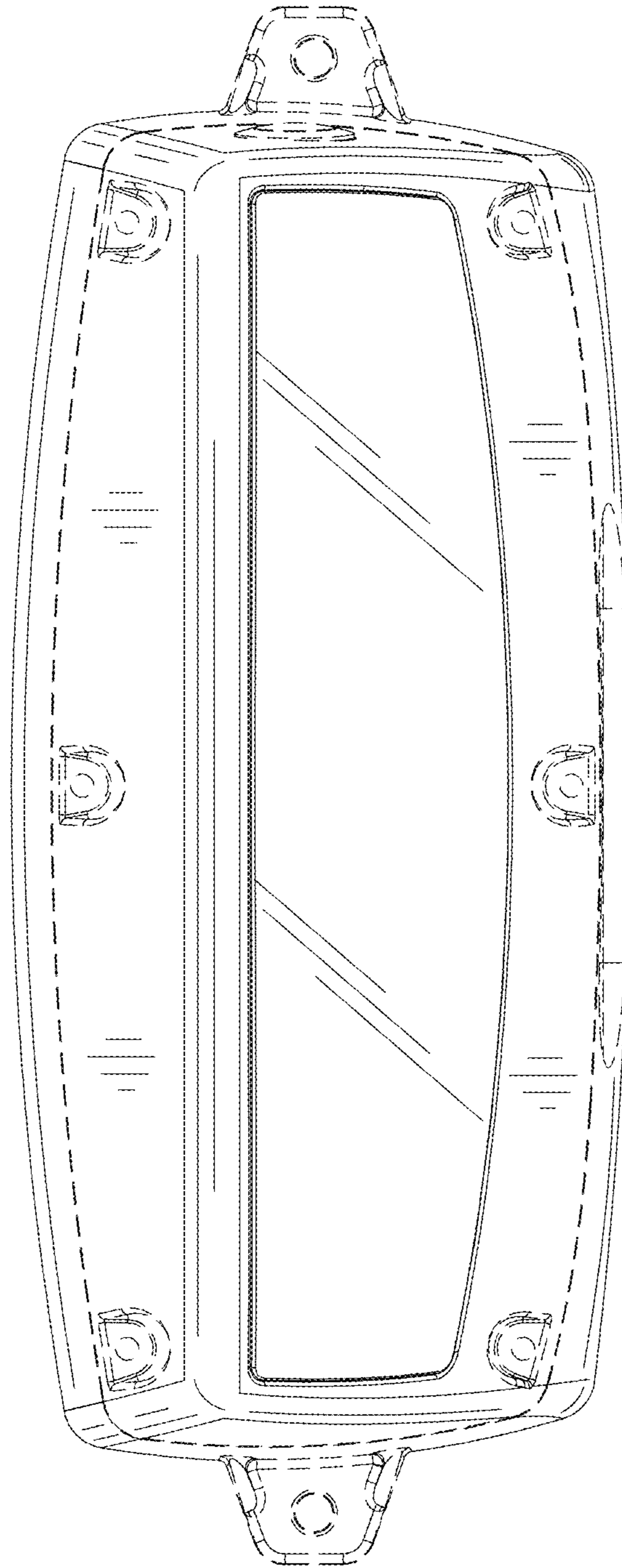


FIG. 1

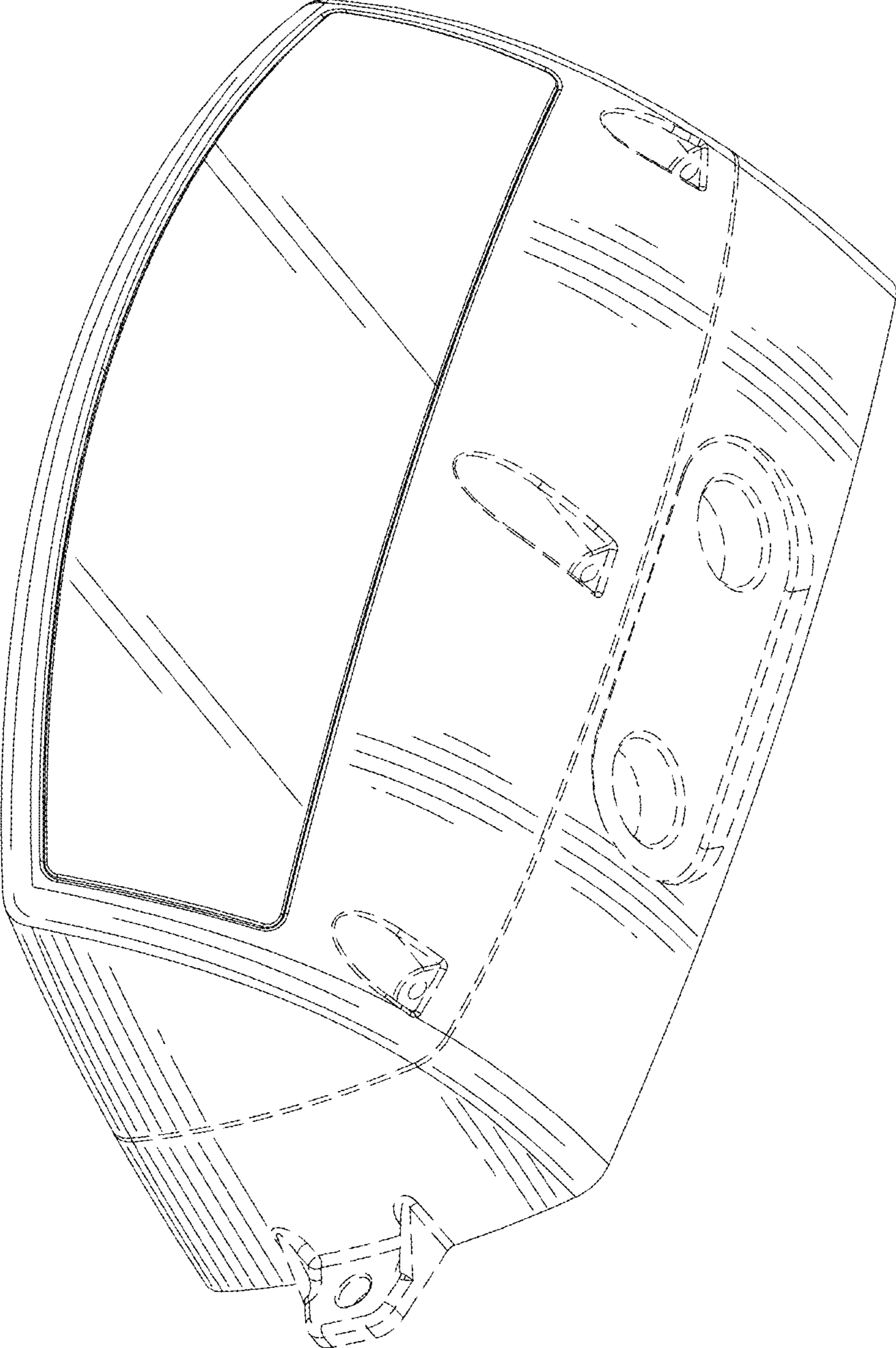


FIG. 2

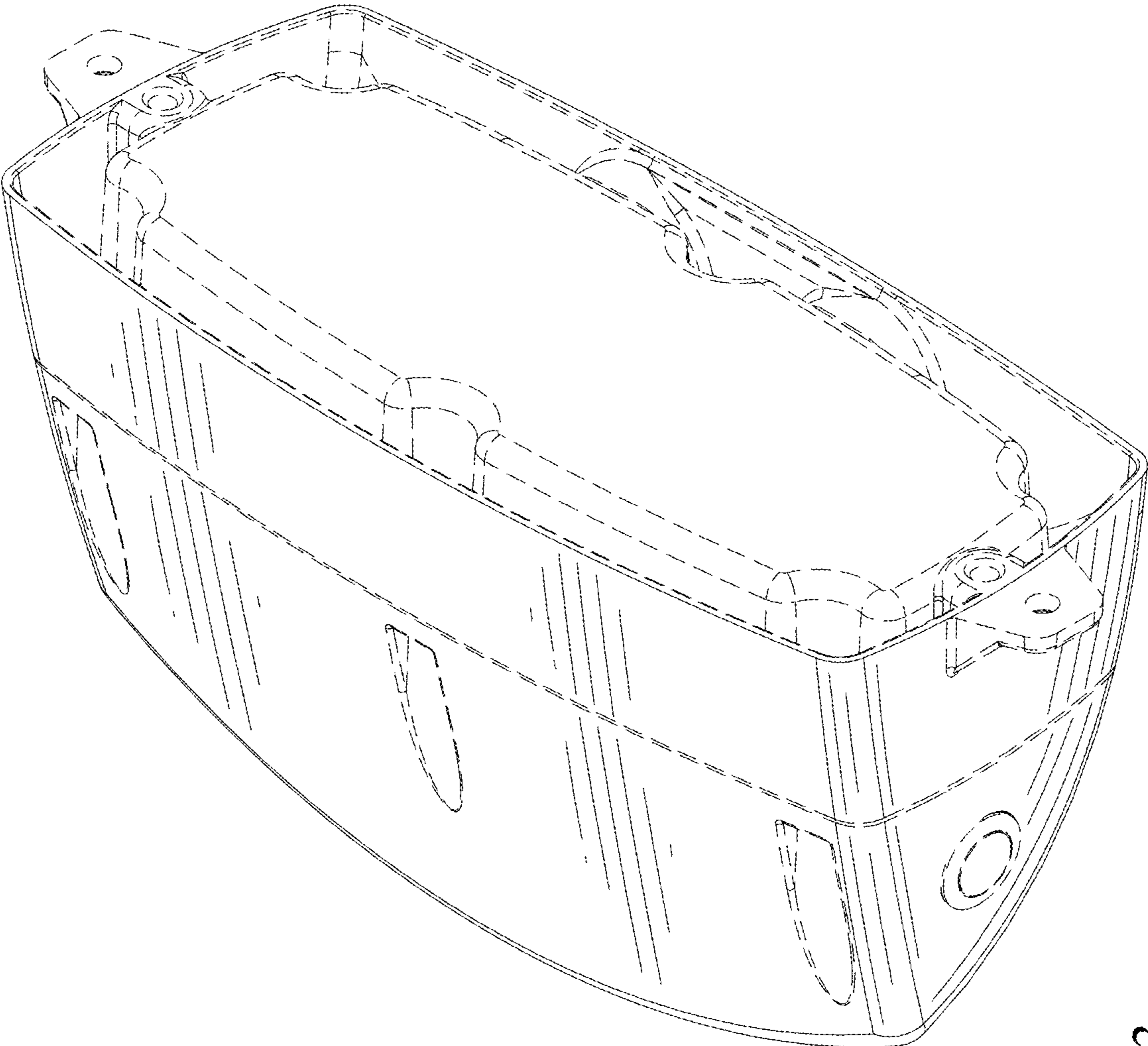


FIG. 3

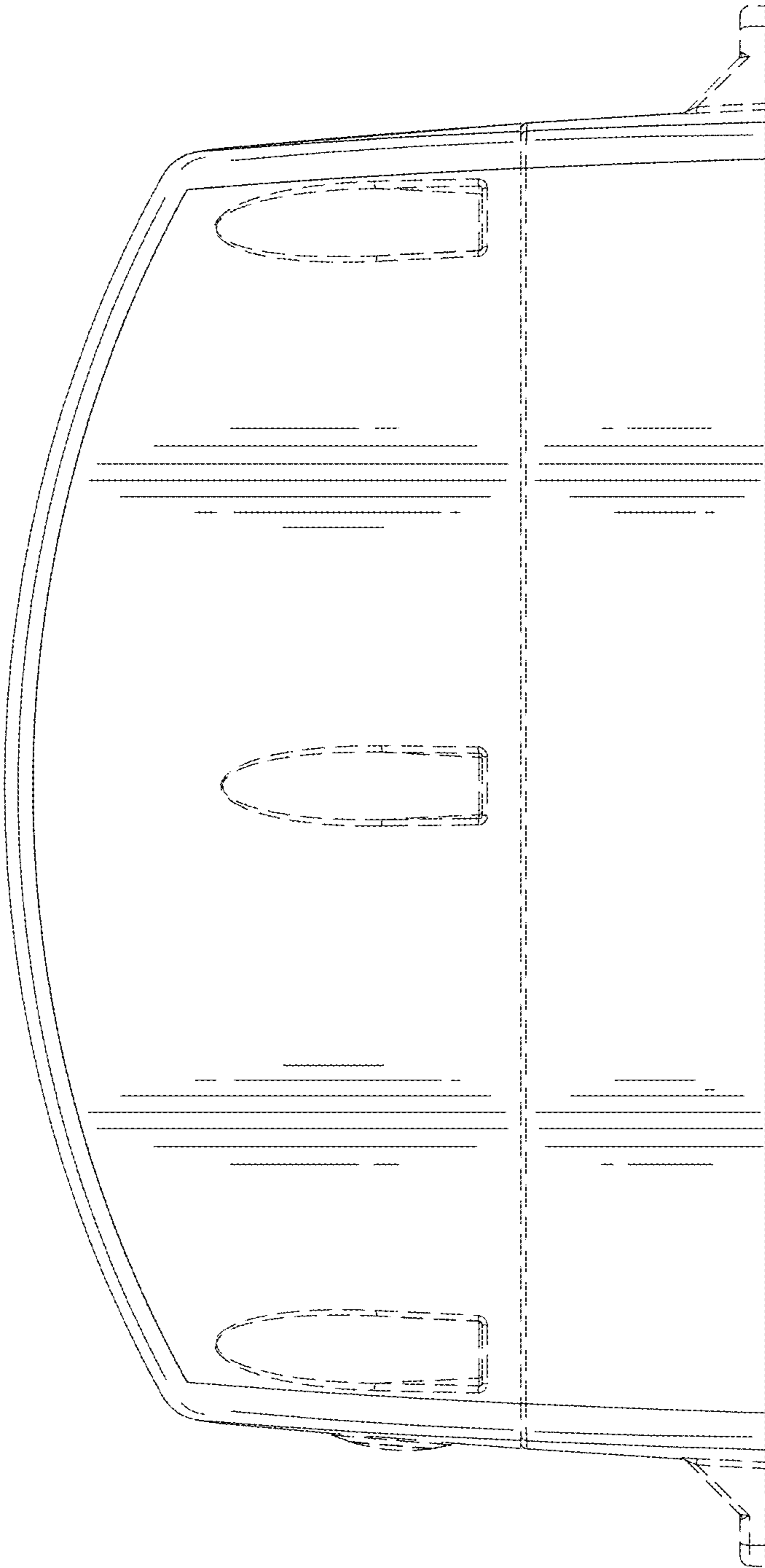


FIG. 4

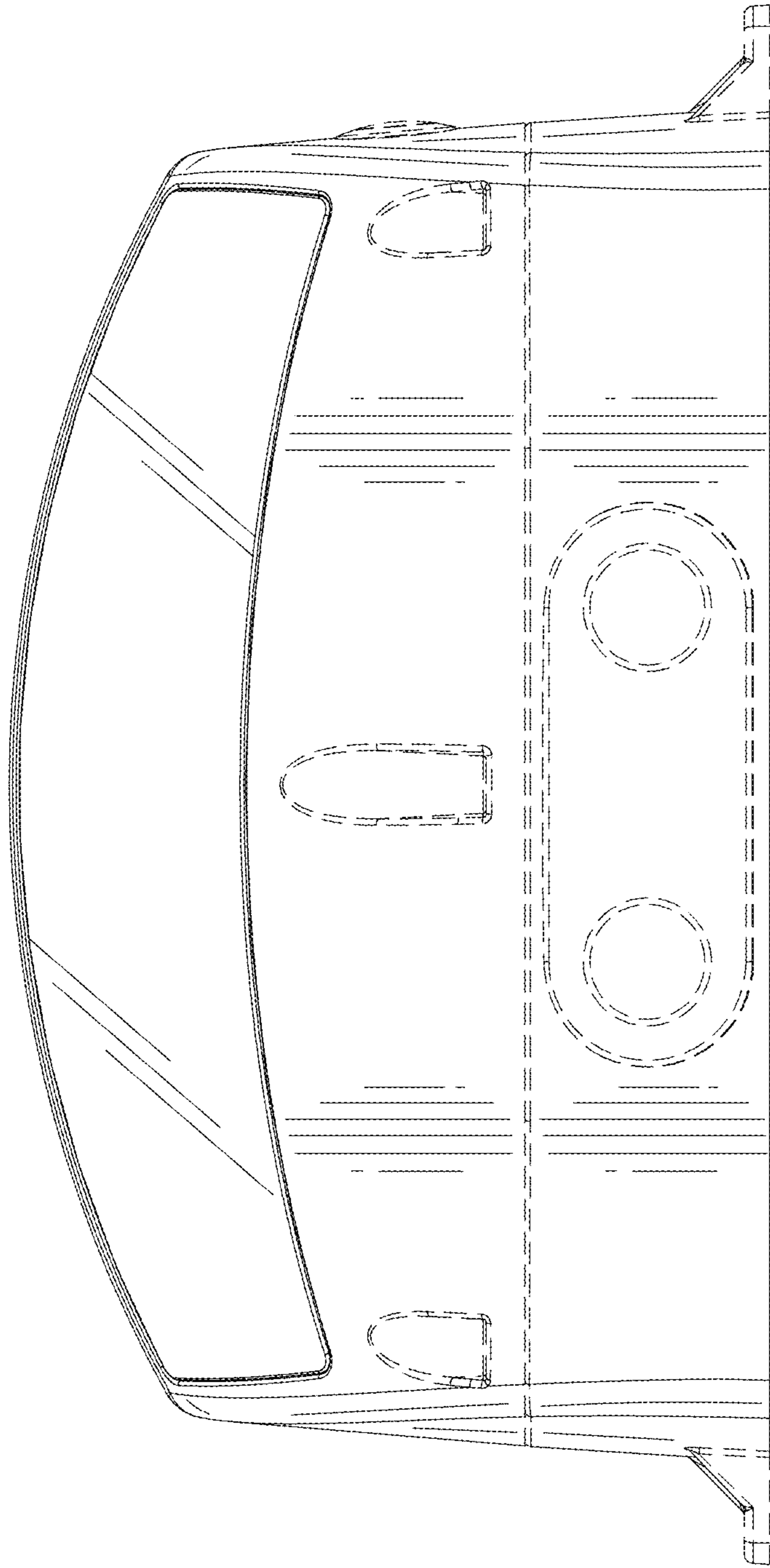


FIG. 5

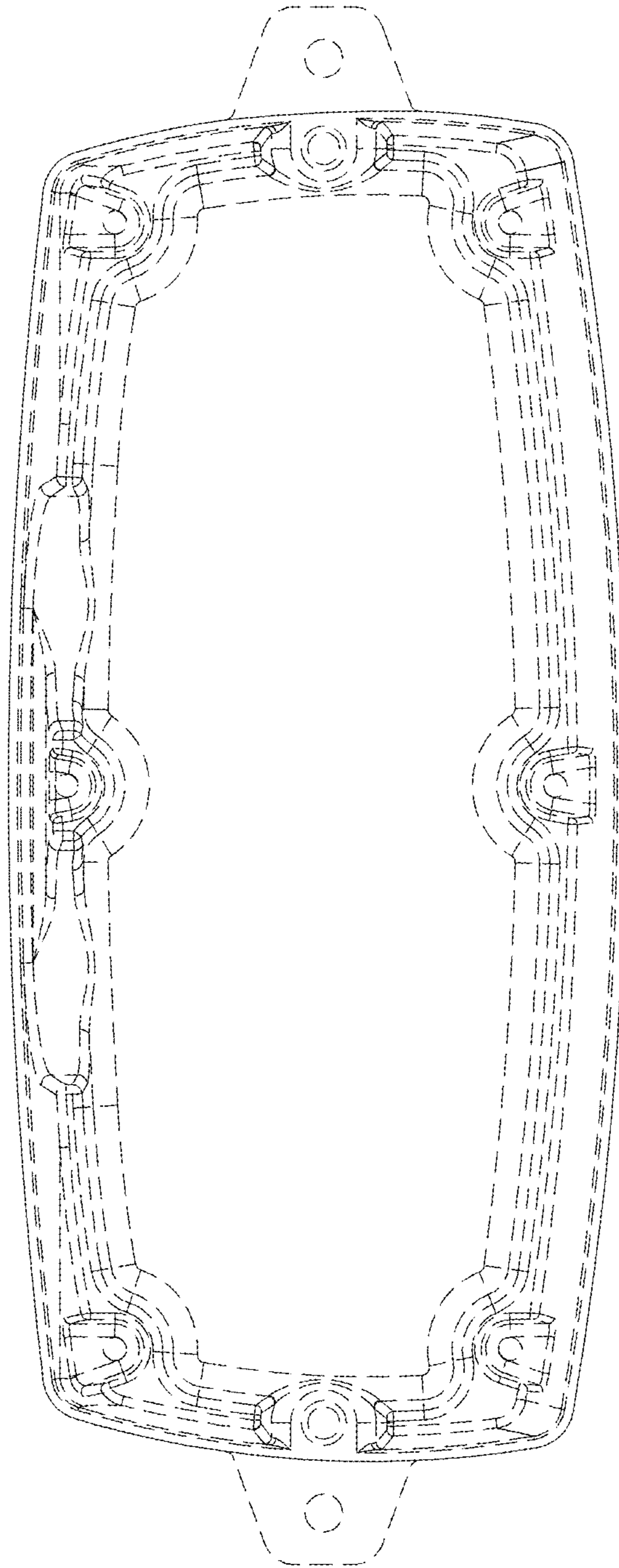


FIG. 6

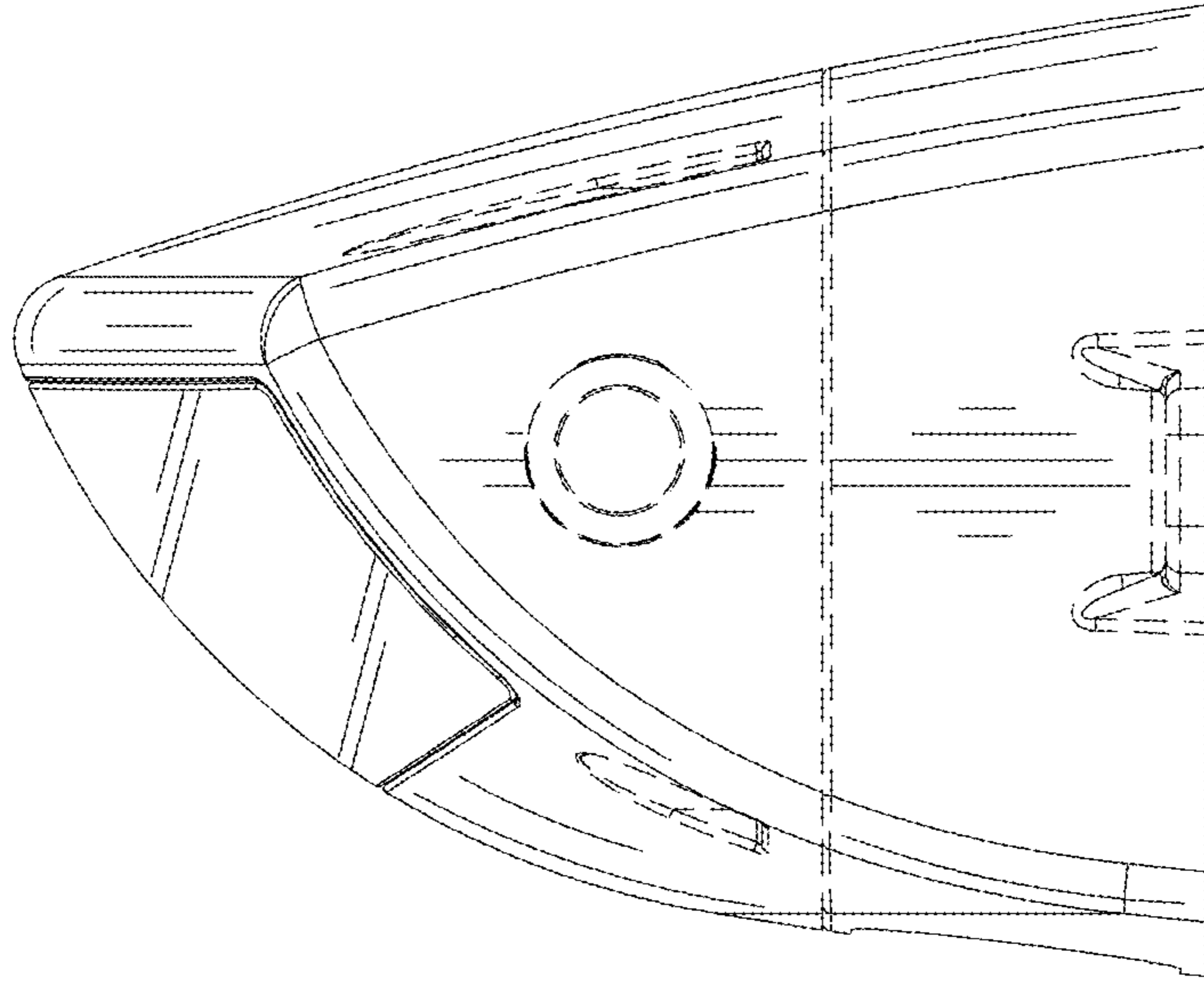


FIG. 8

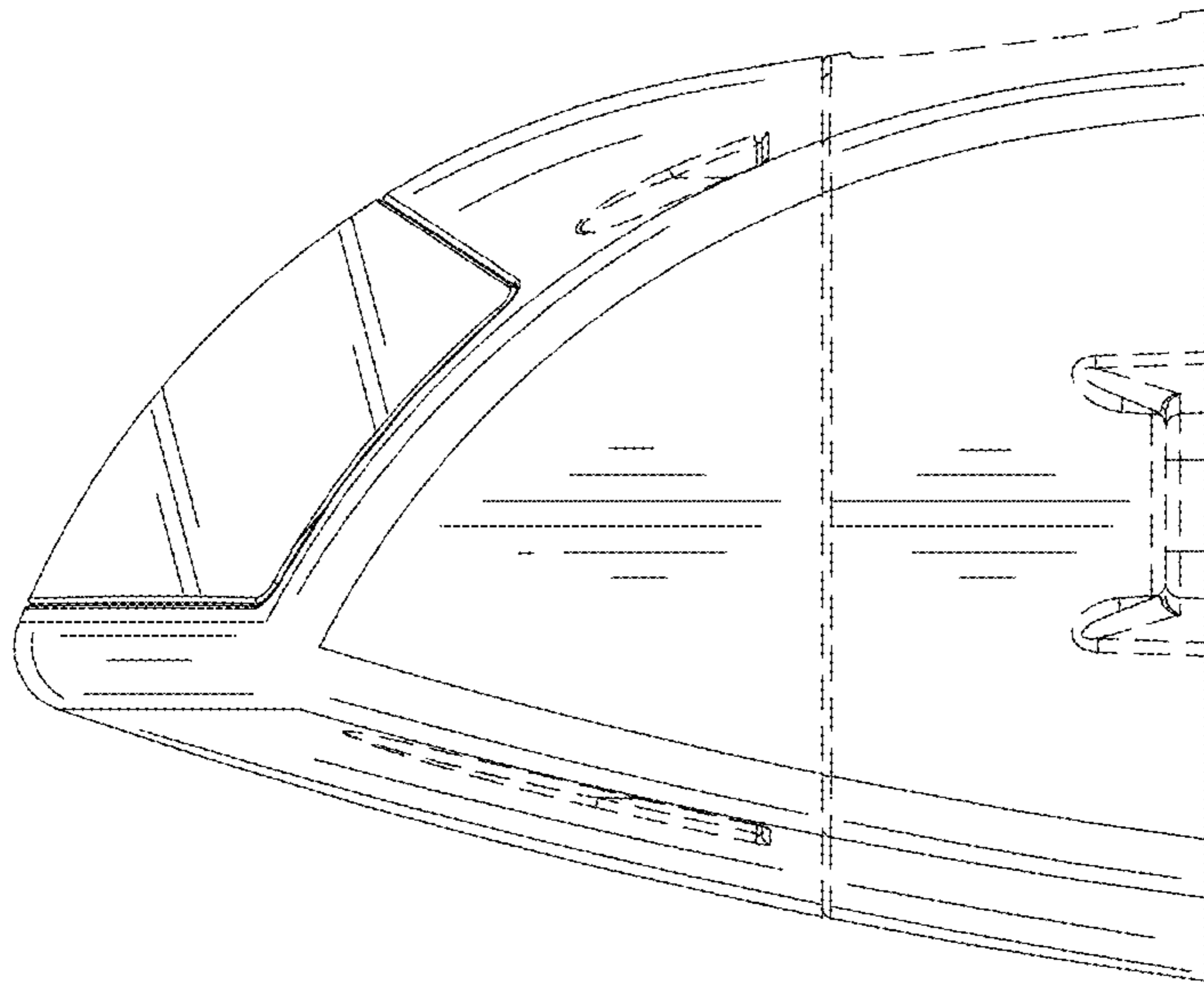


FIG. 7