



US00D897025S

(12) **United States Design Patent**
Gong

(10) **Patent No.:** **US D897,025 S**

(45) **Date of Patent:** **** Sep. 22, 2020**

(54) **LAMP**

(71) Applicant: **Zihua Gong**, Nanyang (CN)

(72) Inventor: **Zihua Gong**, Nanyang (CN)

(**) Term: **15 Years**

(21) Appl. No.: **29/734,351**

(22) Filed: **May 12, 2020**

(51) **LOC (12) Cl.** **26-03**

(52) **U.S. Cl.**
USPC **D26/81**

(58) **Field of Classification Search**
USPC D26/72, 80-89
See application file for complete search history.

(56) **References Cited**

U.S. PATENT DOCUMENTS

D40,302 S *	10/1909	Schneider	D26/84
D61,147 S *	7/1922	Adam	D26/80
D75,061 S *	5/1928	Rosenblatt	D26/81
D81,532 S *	7/1930	Gosling	D26/88
D173,943 S *	2/1955	Gamerdinger	D26/87
D268,209 S *	3/1983	Reistetter	D26/135
D329,103 S *	9/1992	Porter	D26/81
D361,858 S *	8/1995	Pickett	D26/84
D373,002 S *	8/1996	Porter	D26/144
D373,213 S *	8/1996	Porter	D26/84
D438,664 S *	3/2001	Lewis	D26/86
D468,475 S	1/2003	De Lucchi		
D659,277 S	5/2012	Chen		
D786,479 S *	5/2017	Dolan	D26/81
D806,305 S *	12/2017	Amato	D26/81
2002/0163813 A1	11/2002	Tseng		

OTHER PUBLICATIONS

Justice Design Group Wire Glass 4-Light Chandelier—Dark Bronze Finish with Grid with Opal Wire Cage with Blown Glass Shade available at amazon.com May 8, 2012. (Year: 2012).*

Justice Design Group Lighting WGL-8410-10-GRCB-MBLK-LED5-3500 Union 5 Cylinder with Flat Rim Shade LED Light Chandelier available at amazon.com Aug. 30, 2017. (Year: 2017).*

YOBO Lighting Antique 3-lights Oil Rubbed Bronze Chandelier with Wire Cage available at amazon.com Jun. 9, 2015. (Year: 2015).*

* cited by examiner

Primary Examiner — Clare E Heflin

(57) **CLAIM**

The ornamental design for a lamp, as shown and described.

DESCRIPTION

FIG. 1 is a perspective view of a first embodiment of a lamp showing my new design;

FIG. 2 is another perspective view thereof;

FIG. 3 is a front elevational view thereof;

FIG. 4 is a rear elevational view thereof;

FIG. 5 is a left side elevational view thereof;

FIG. 6 is a right side elevational view thereof;

FIG. 7 is a top plan view thereof;

FIG. 8 is a bottom plan view thereof;

FIG. 9 is a perspective view of a second embodiment of the lamp showing my new design;

FIG. 10 is another perspective view thereof;

FIG. 11 is a front elevational view thereof;

FIG. 12 is a rear elevational view thereof;

FIG. 13 is a left side elevational view thereof;

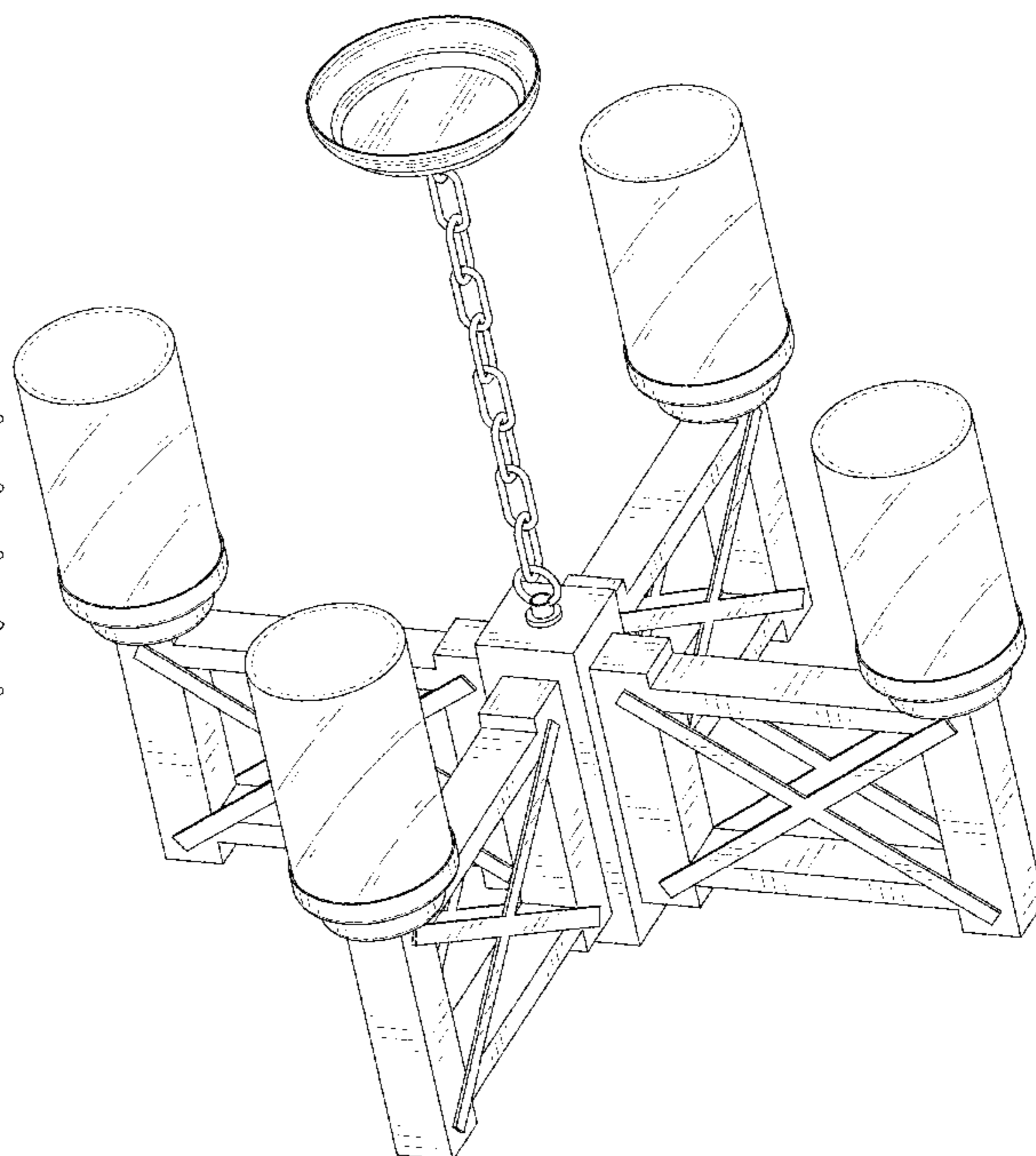
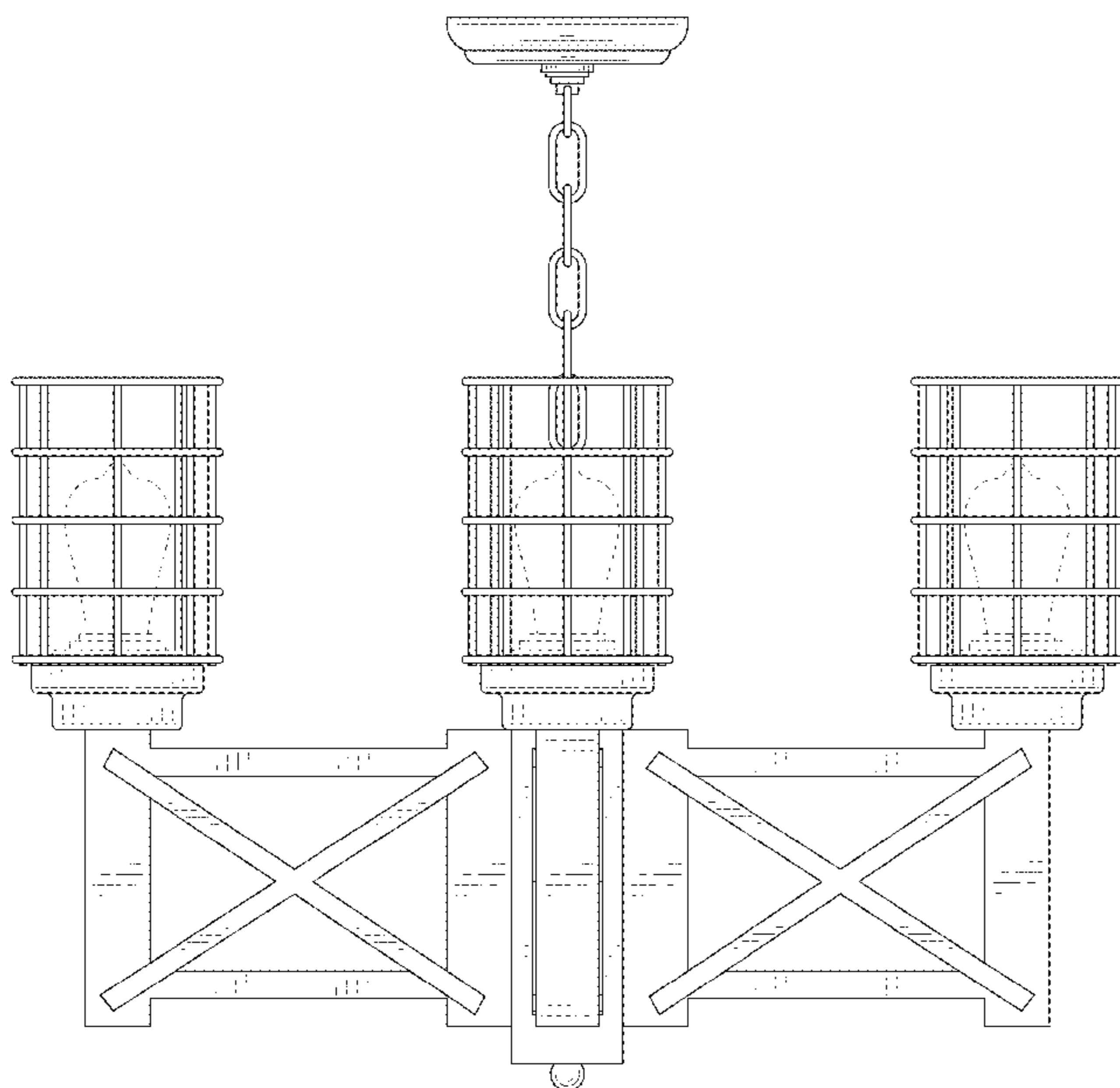
FIG. 14 is a right side elevational view thereof;

FIG. 15 is a top plan view thereof; and,

FIG. 16 is a bottom plan view thereof.

The broken lines in the drawings depict portions of the lamp that form no part of the claimed design.

1 Claim, 16 Drawing Sheets



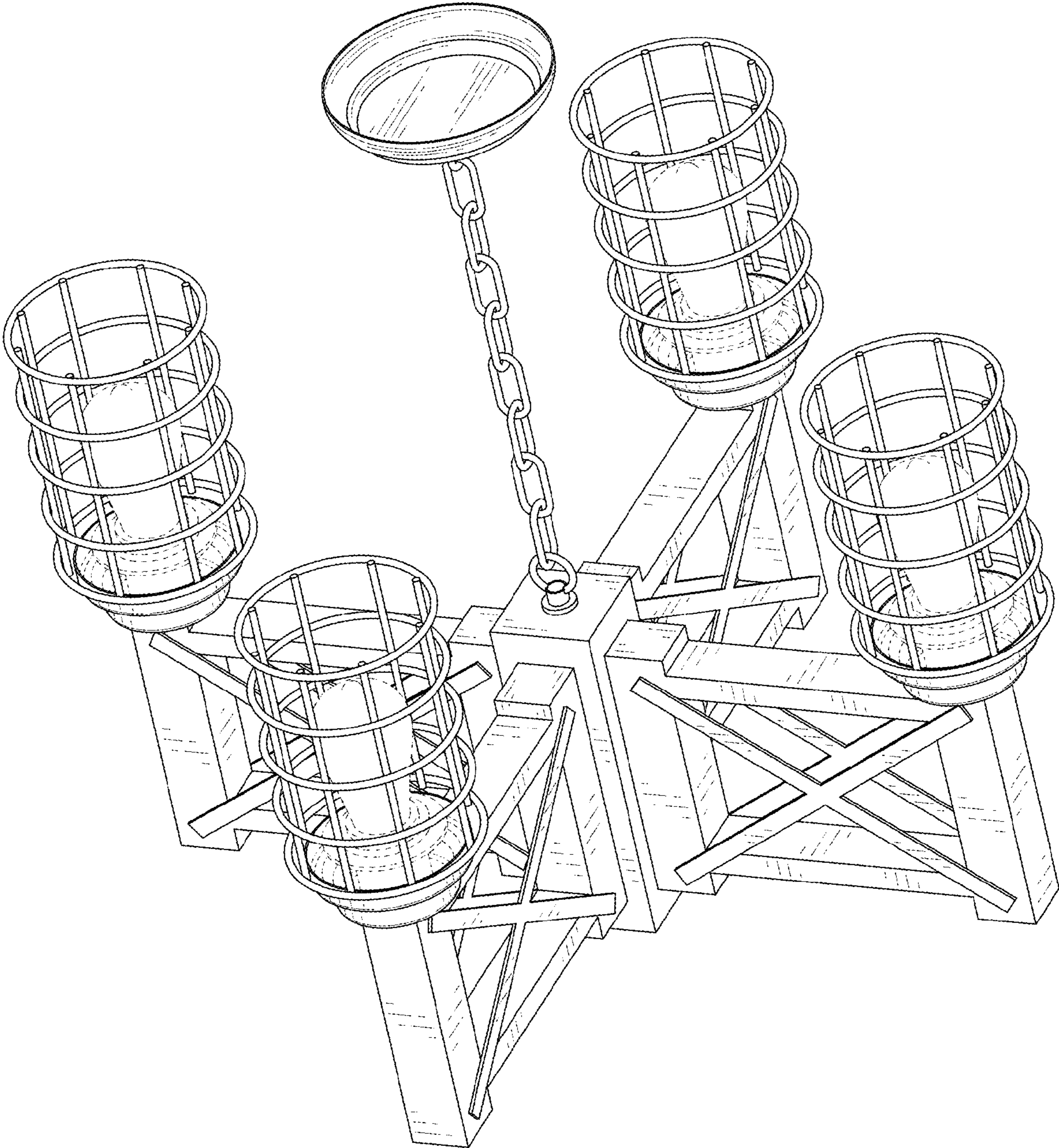


FIG. 1

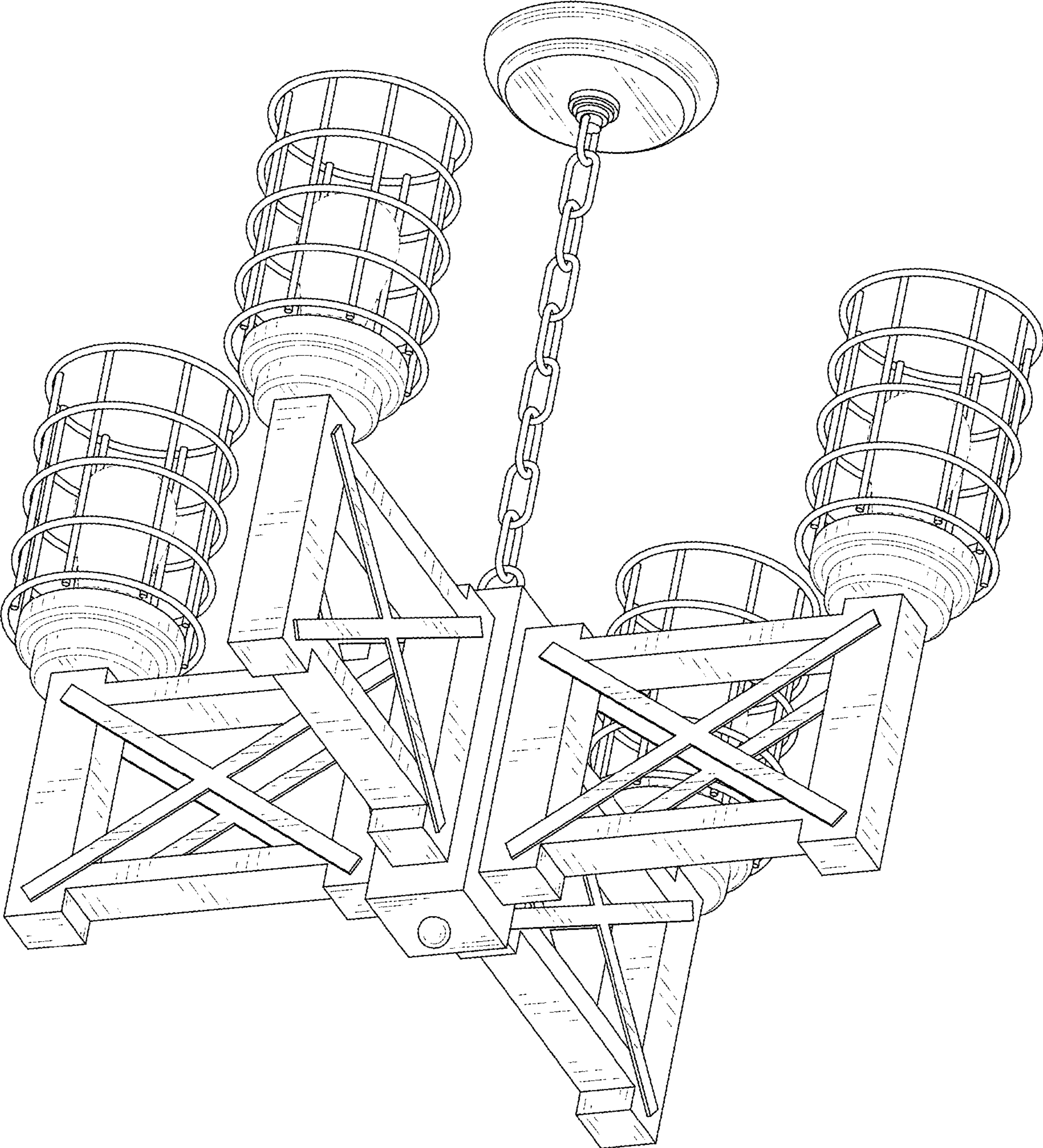


FIG. 2

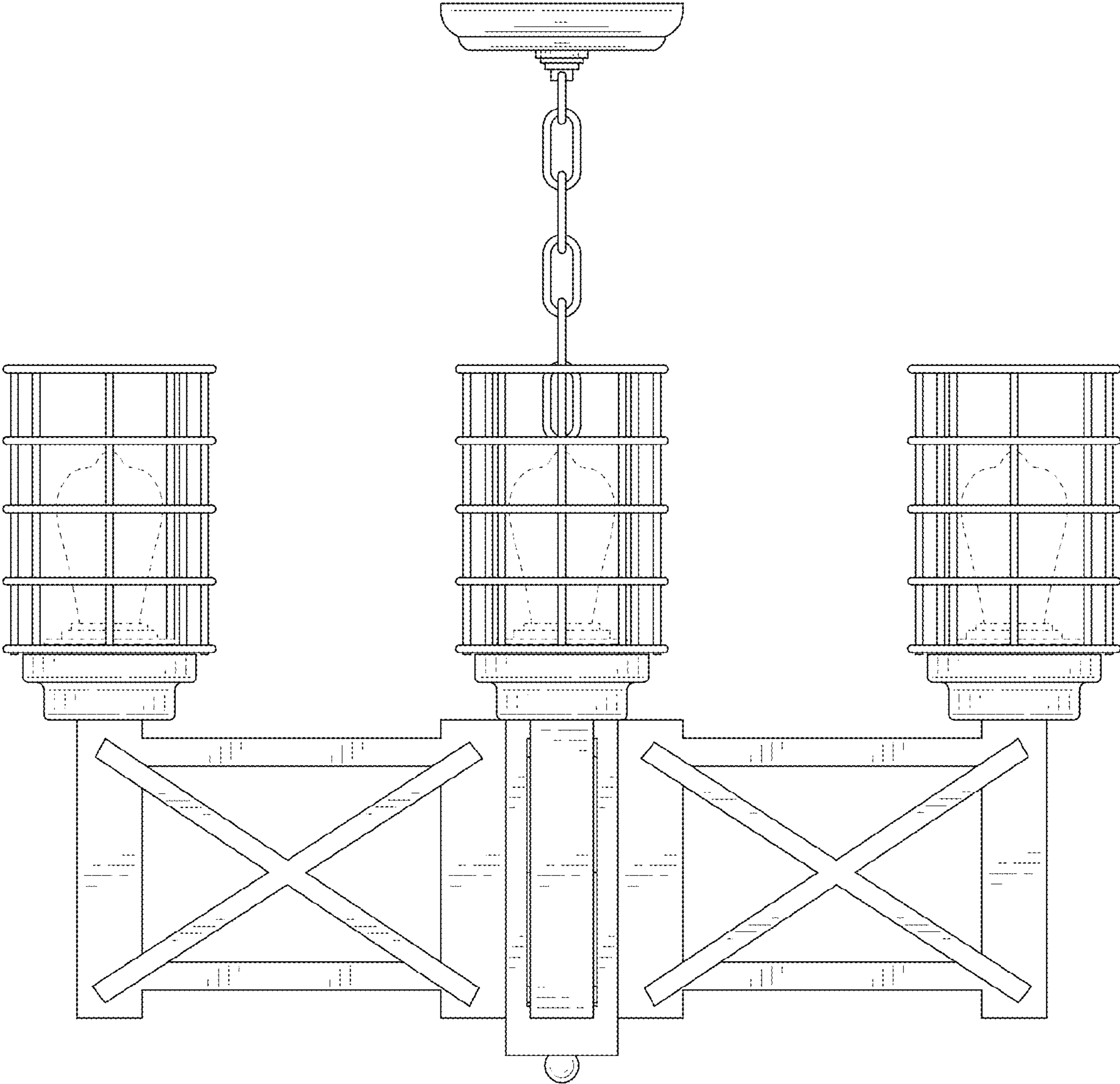


FIG. 3

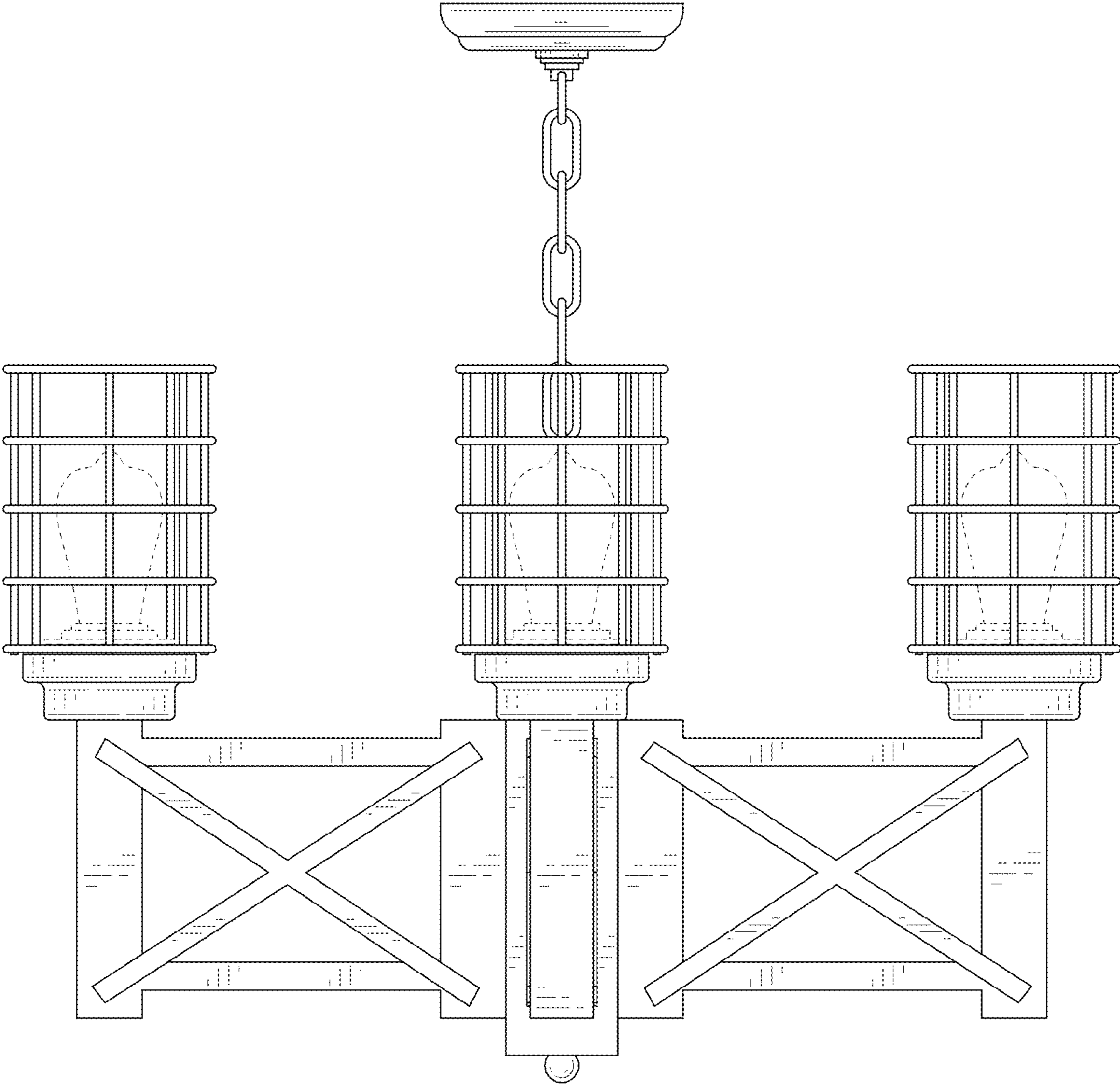


FIG. 4

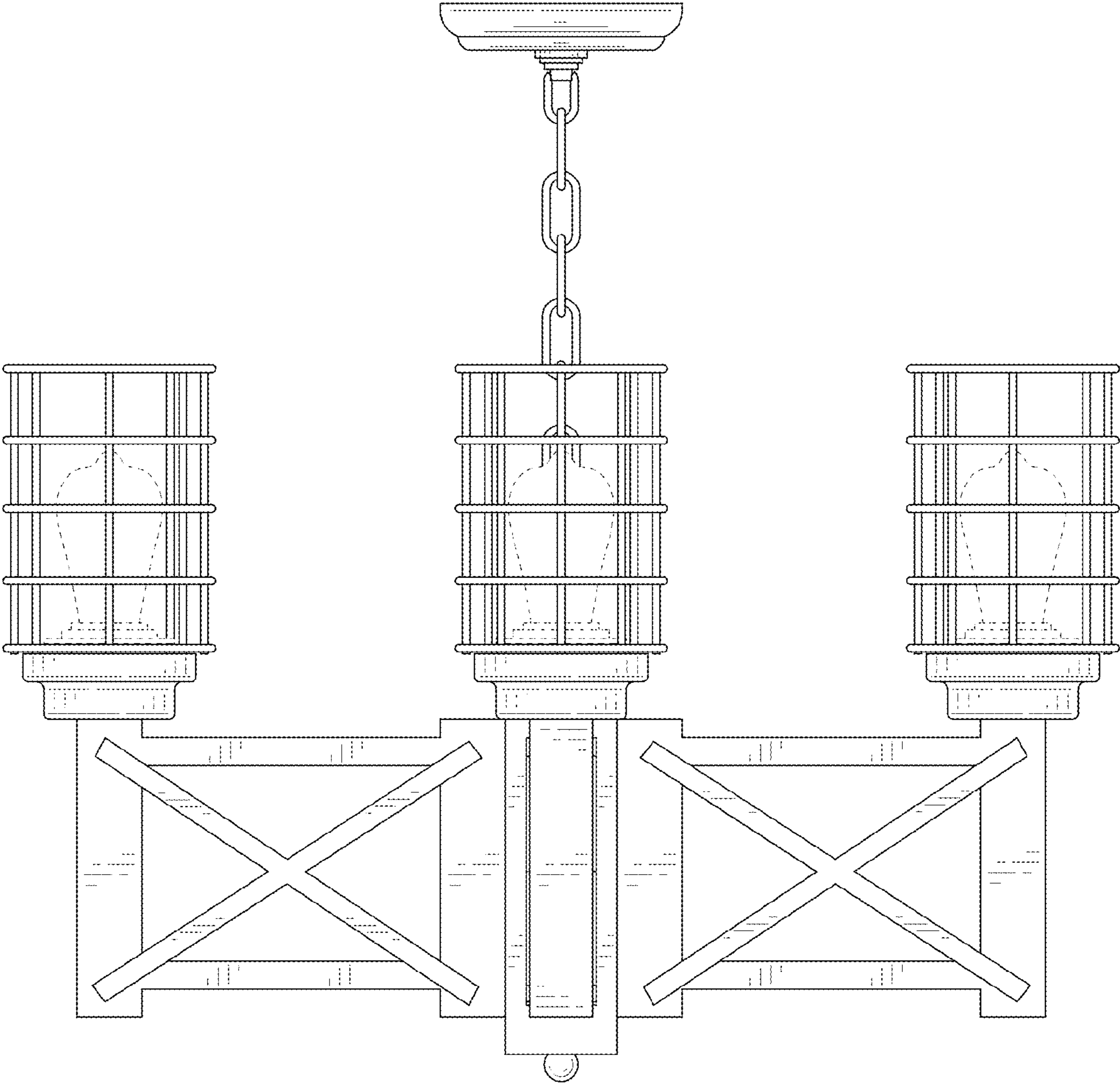


FIG. 5

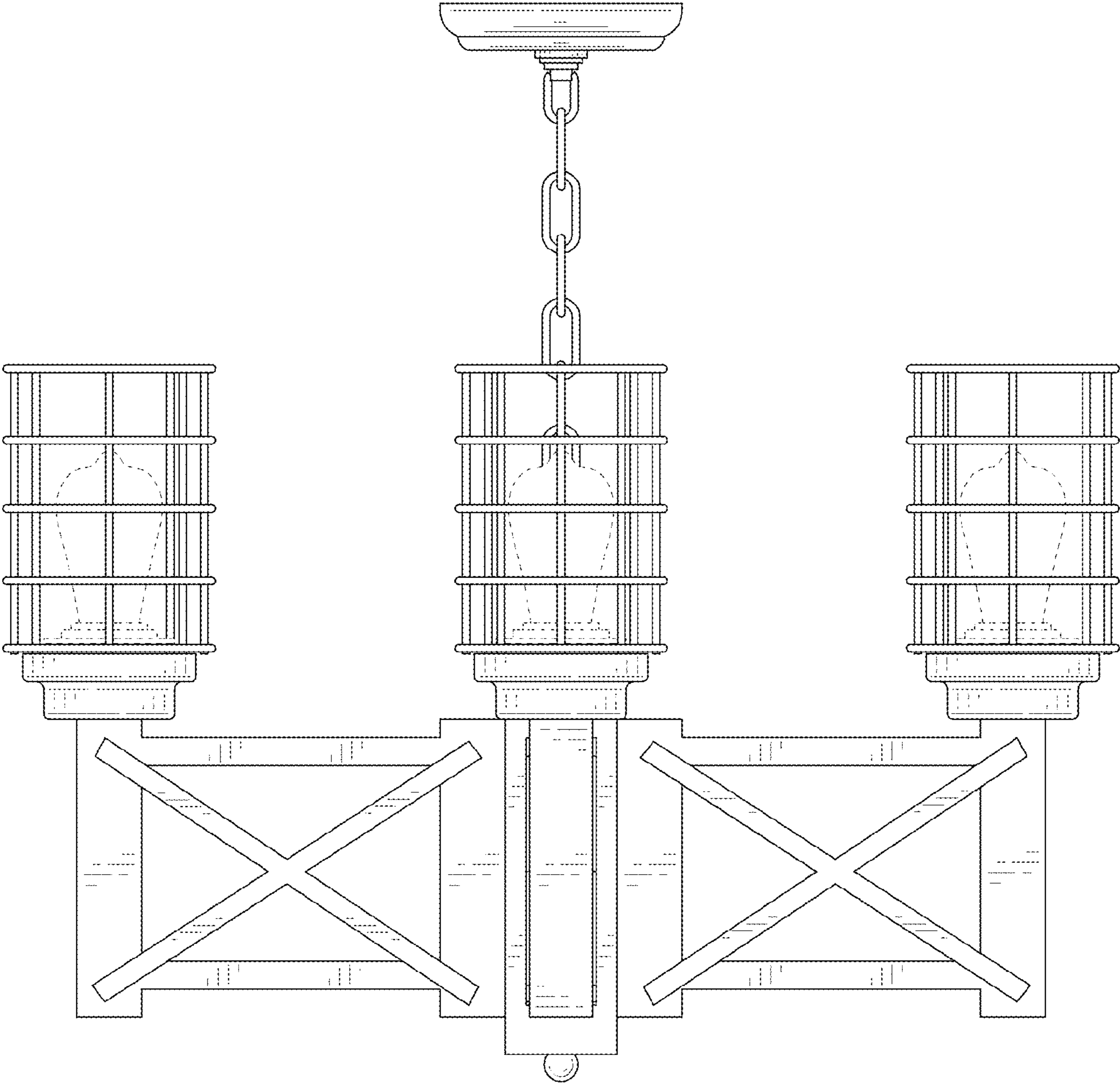


FIG. 6

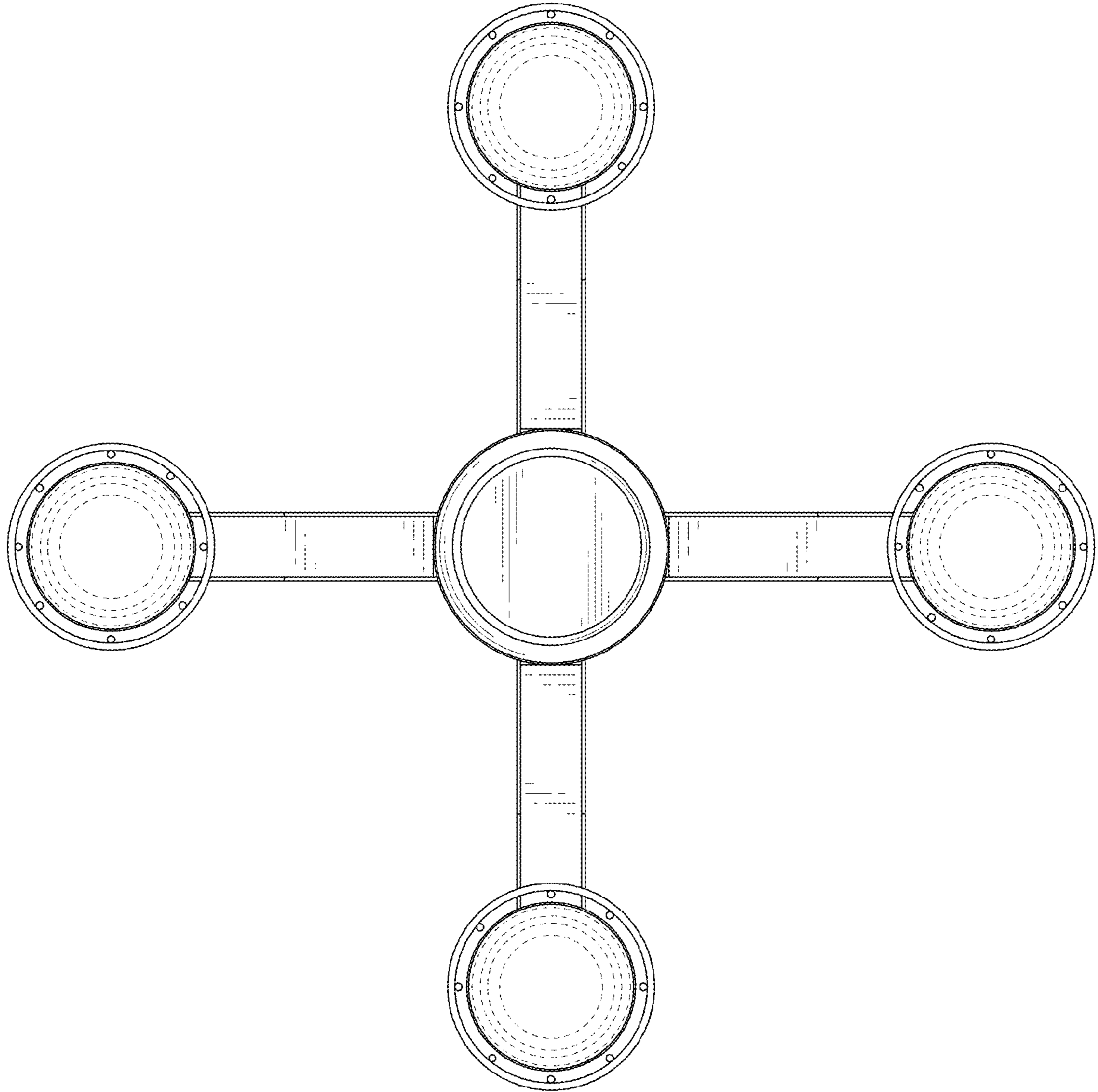


FIG. 7

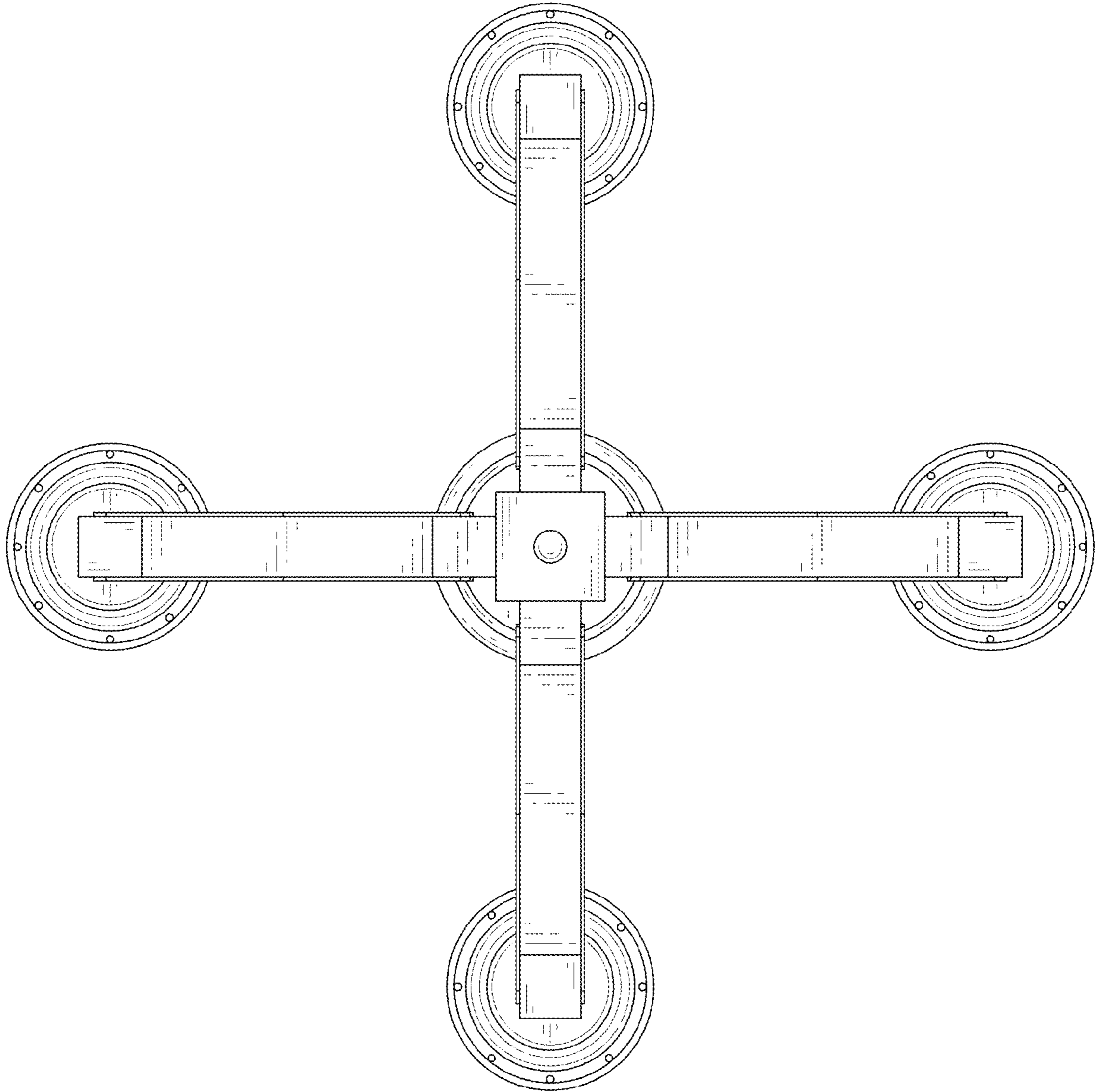


FIG. 8

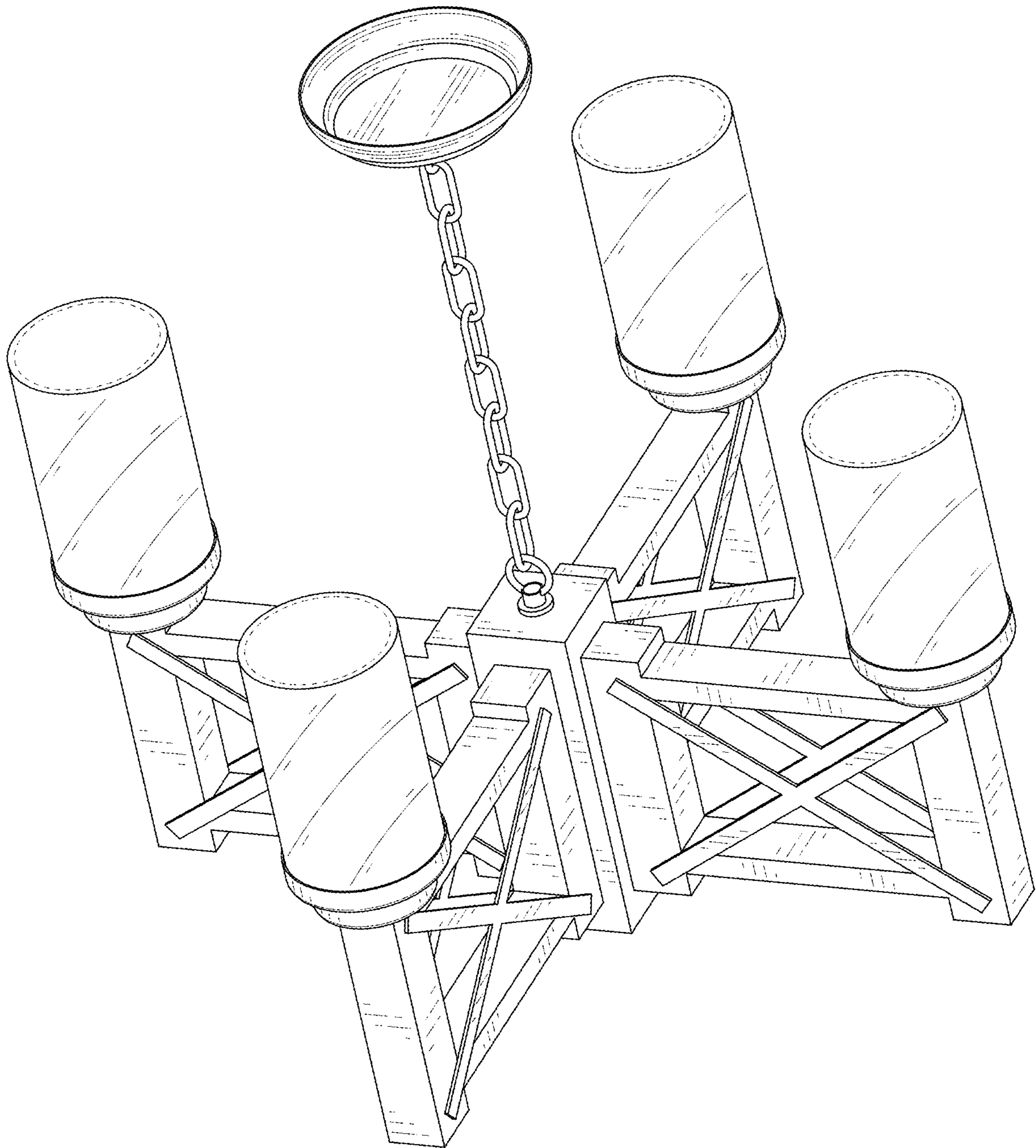


FIG. 9

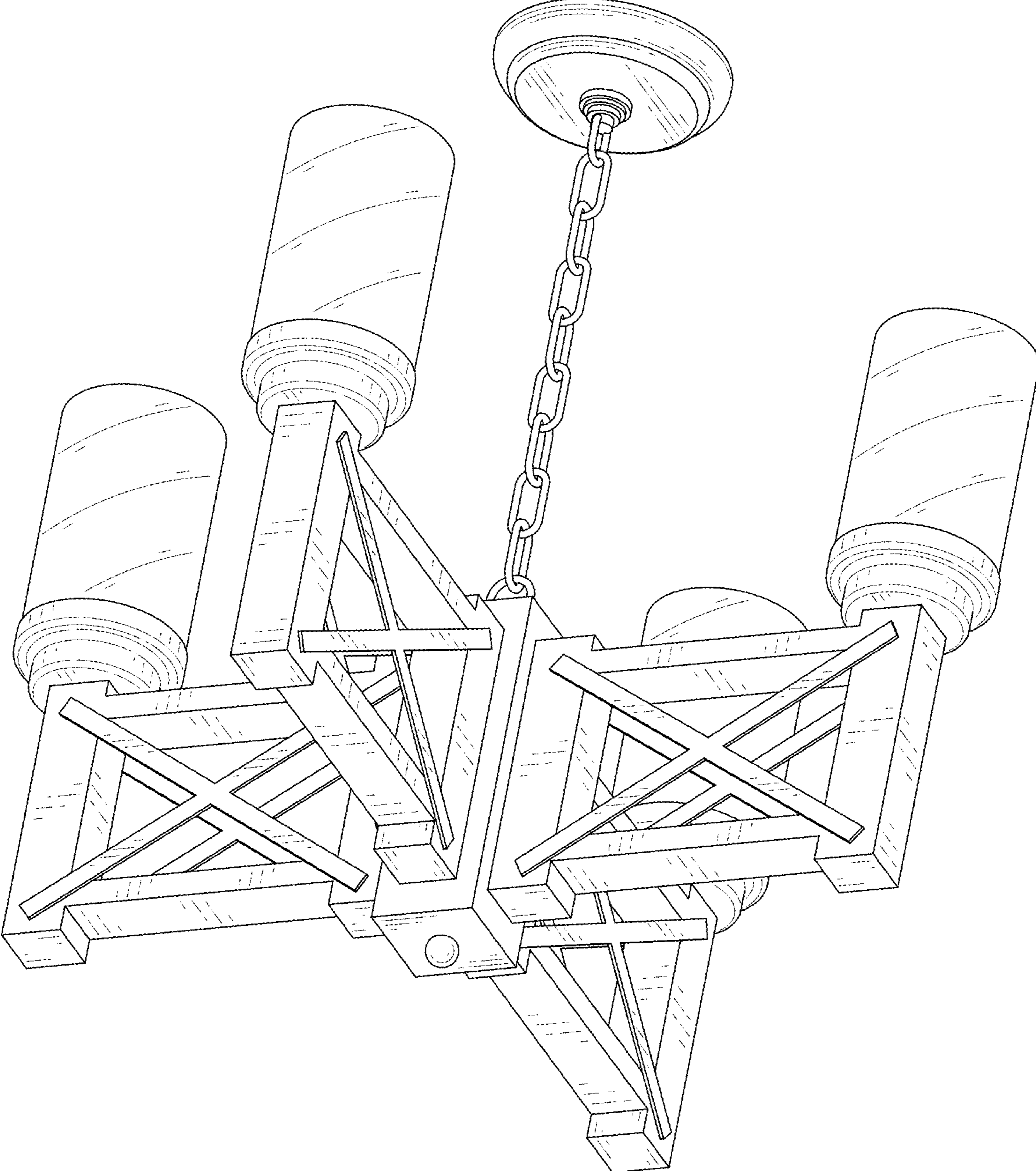


FIG. 10

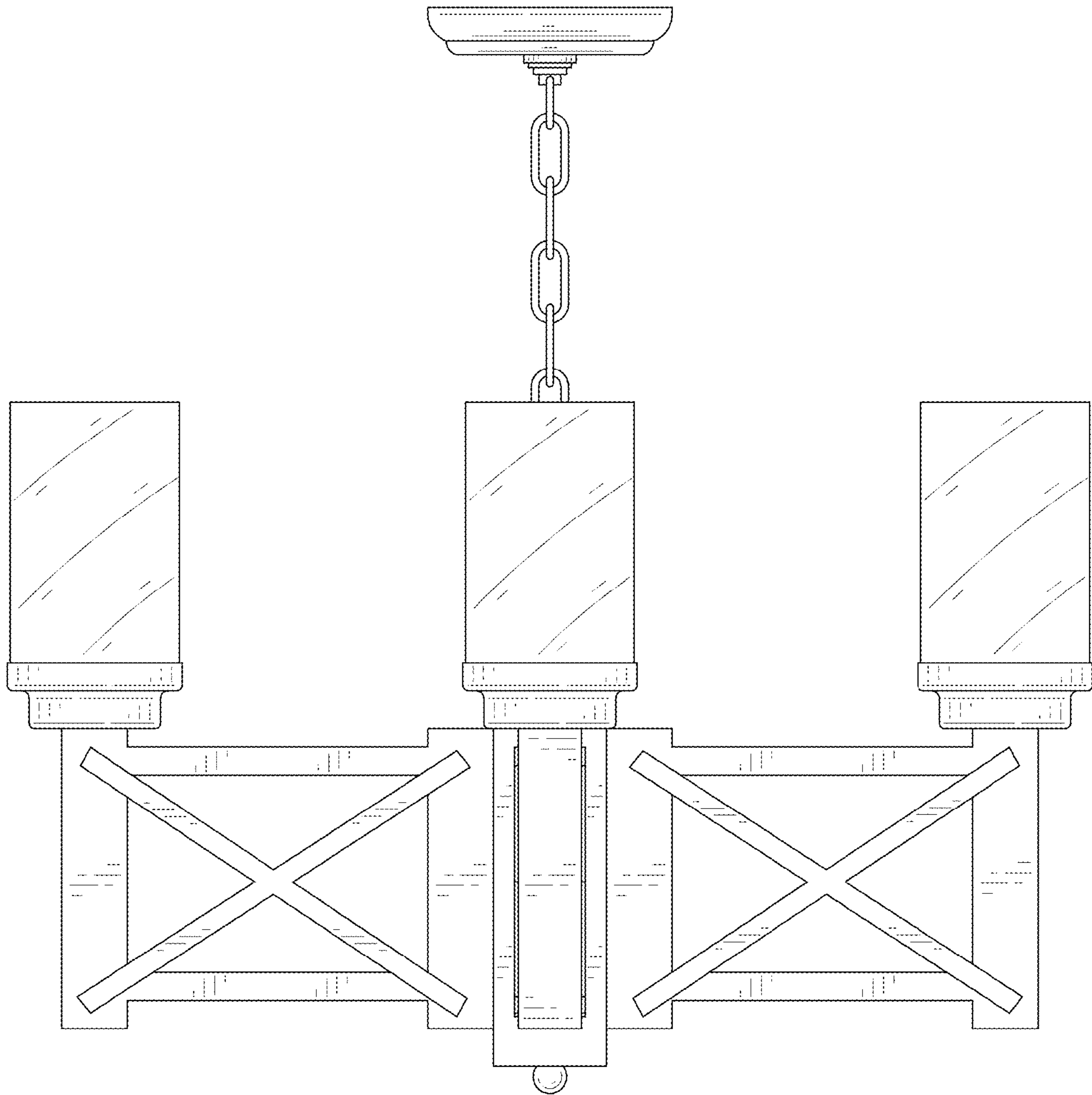


FIG. 11

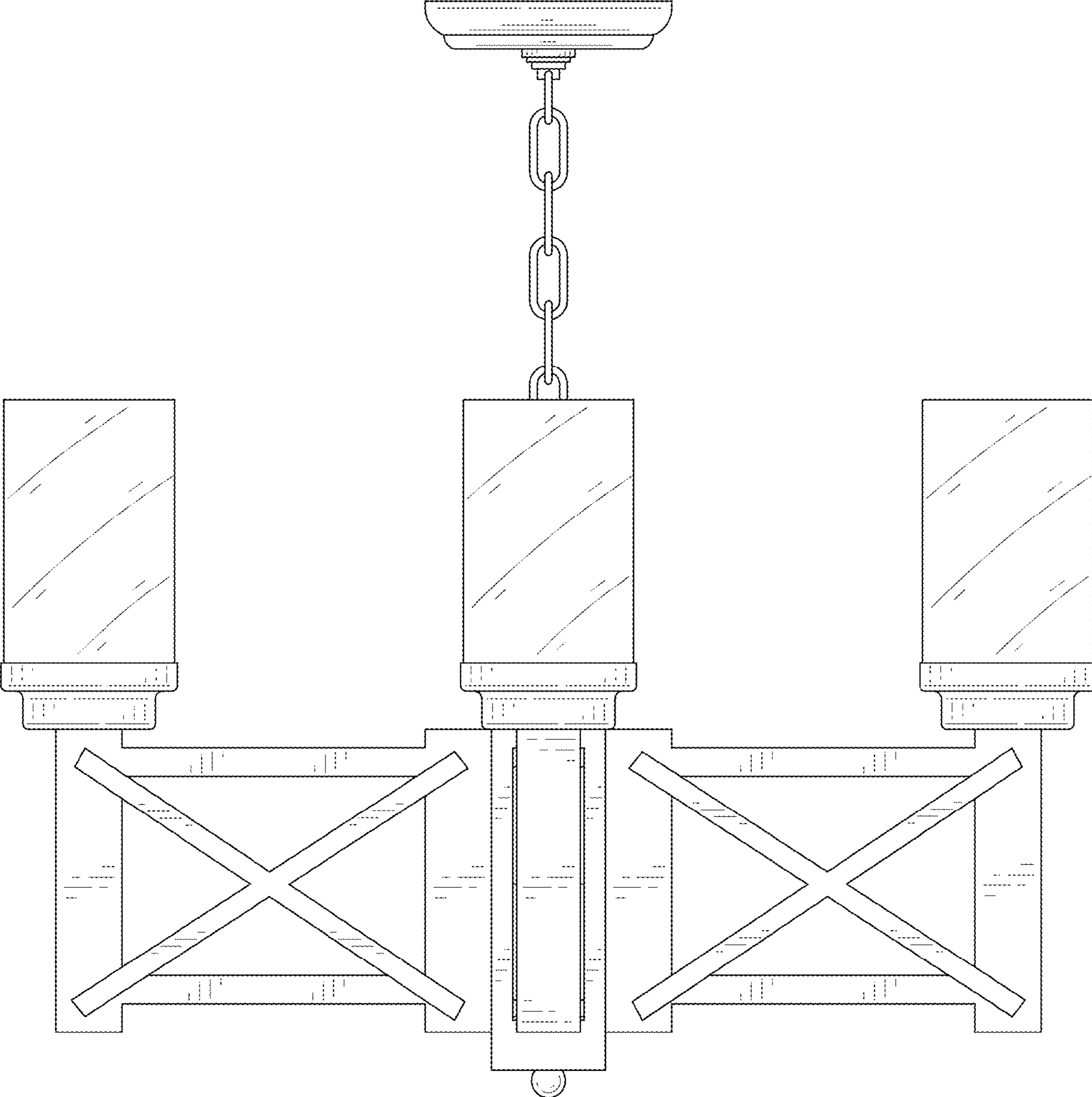


FIG. 12

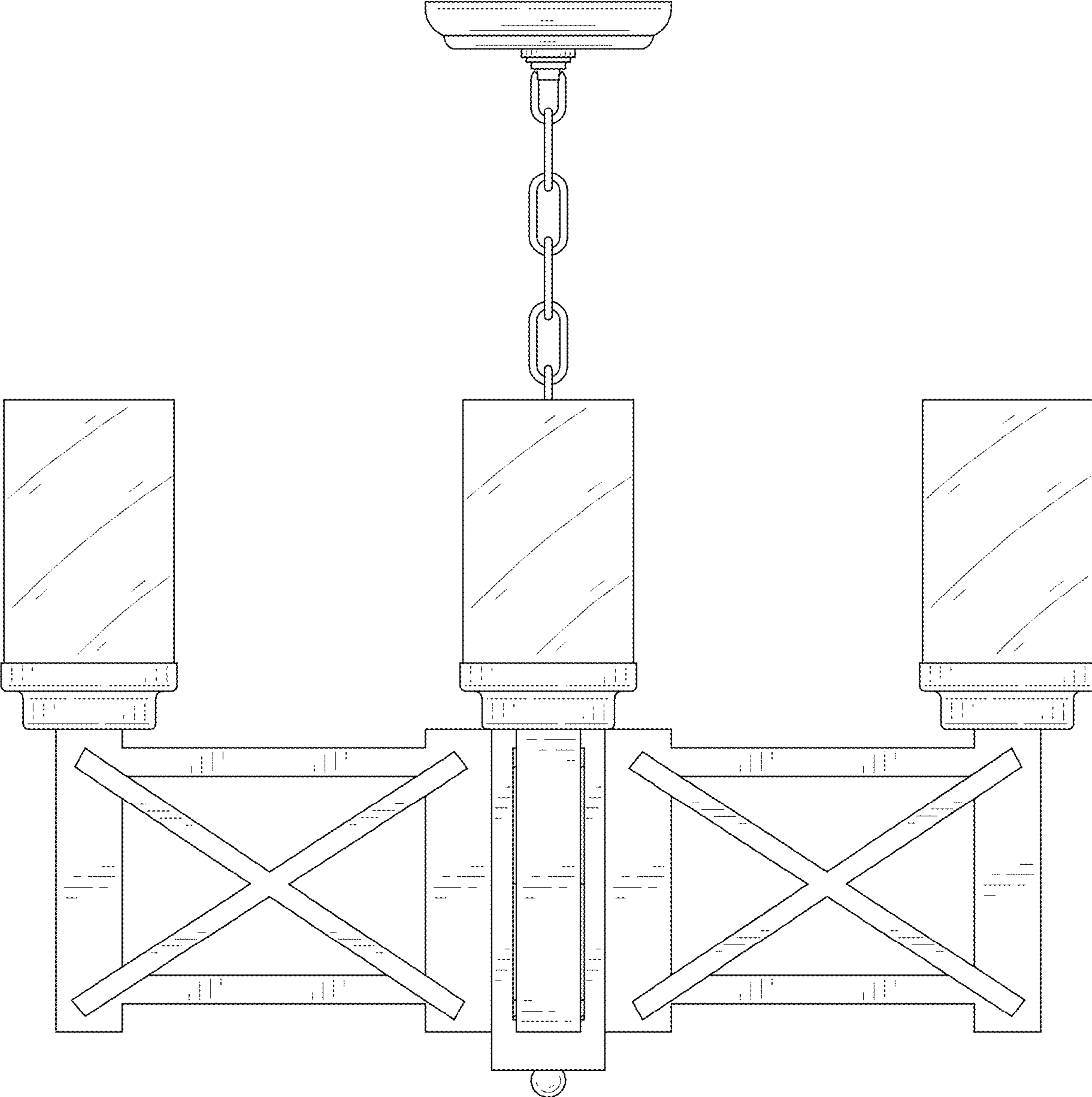


FIG. 13

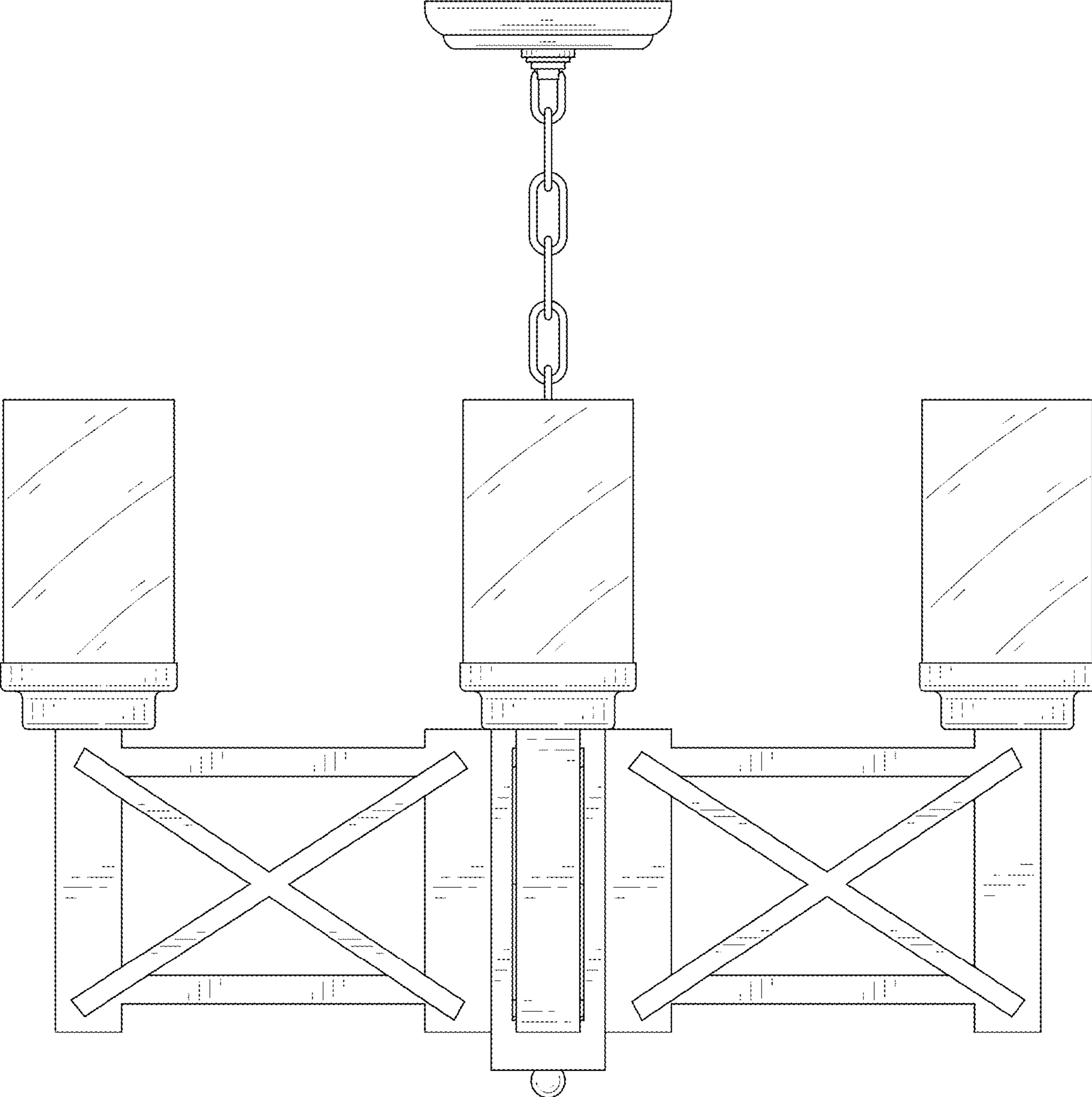


FIG. 14

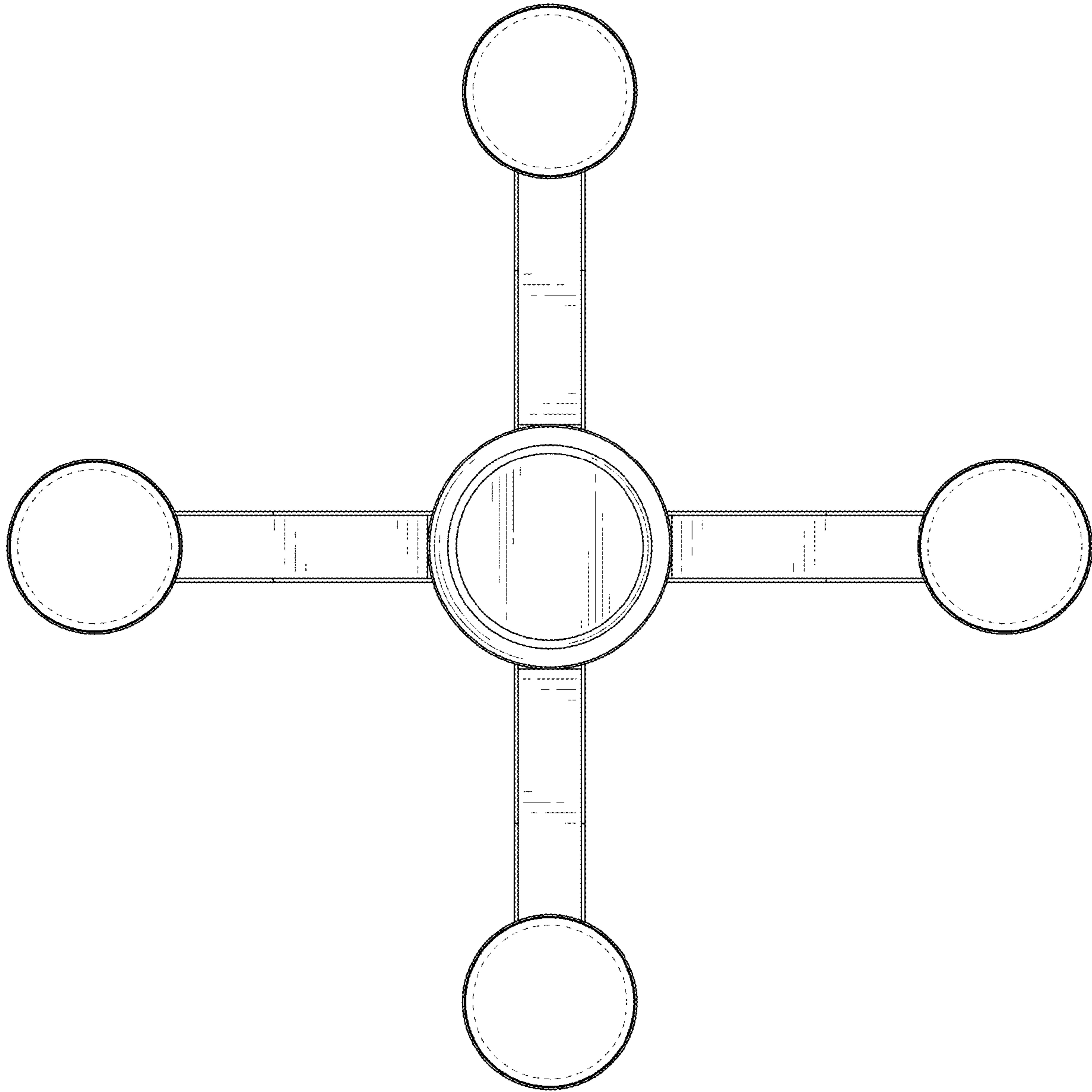


FIG. 15

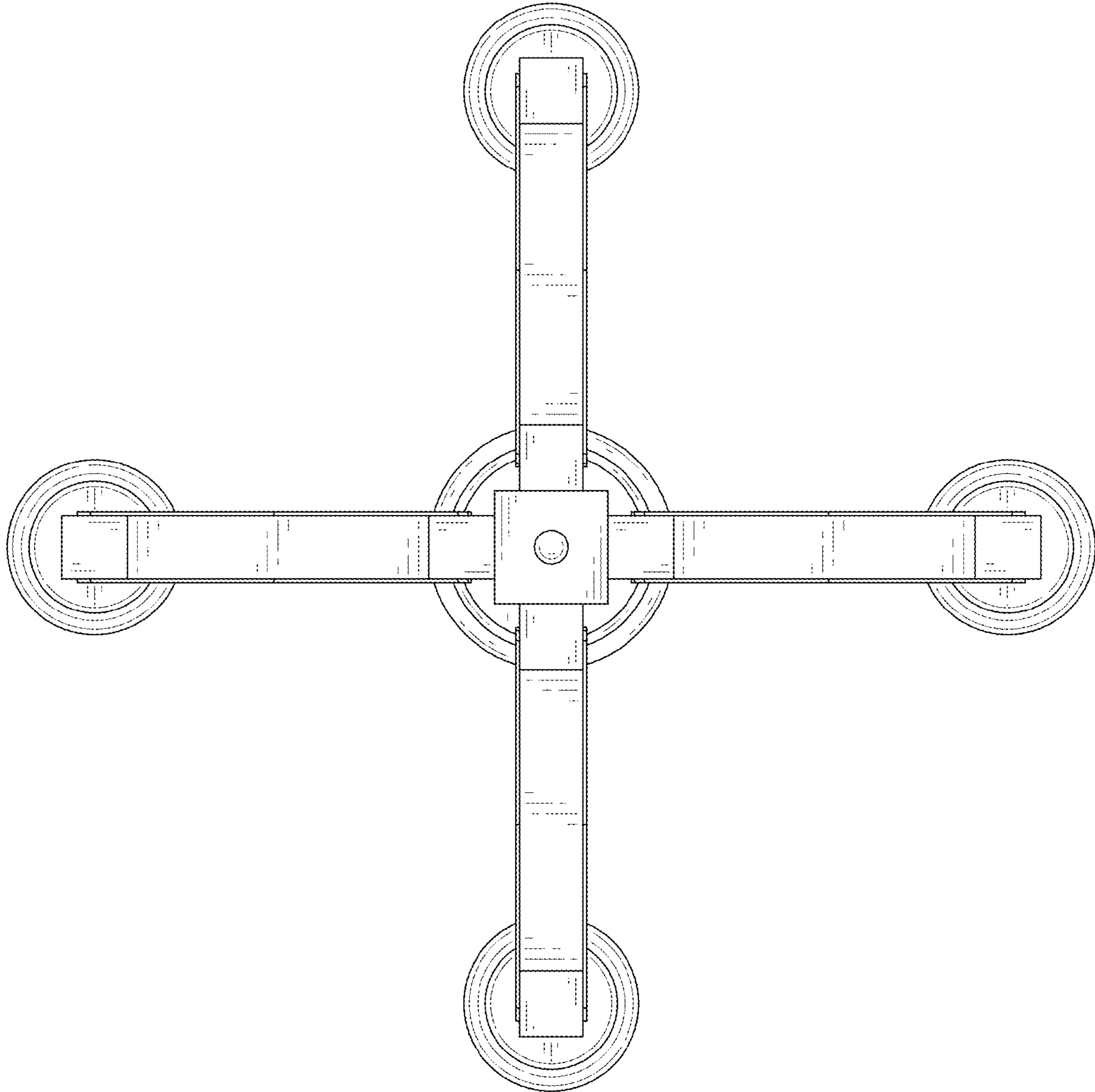


FIG. 16