



US00D897024S

(12) **United States Design Patent** (10) **Patent No.:** **US D897,024 S**
Gong (45) **Date of Patent:** **** Sep. 22, 2020**

(54) **LAMP**

(71) Applicant: **Zihua Gong**, Nanyang (CN)

(72) Inventor: **Zihua Gong**, Nanyang (CN)

(**) Term: **15 Years**

(21) Appl. No.: **29/734,350**

(22) Filed: **May 12, 2020**

(51) **LOC (12) Cl.** **26-03**

(52) **U.S. Cl.**
USPC **D26/81**

(58) **Field of Classification Search**
USPC D26/72, 80-89
See application file for complete search history.

(56) **References Cited**

U.S. PATENT DOCUMENTS

D81,532 S *	7/1930	Gosling	D26/88
D252,531 S *	7/1979	Glassman	D26/80
D468,475 S	1/2003	De Lucchi		
D493,568 S *	7/2004	Parres	D26/143
D592,787 S	5/2009	Chandler		
D713,090 S *	9/2014	Kim	D26/90
D835,322 S *	12/2018	Nicholas	D26/81
D851,317 S *	6/2019	Orozco	D26/81
D865,262 S *	10/2019	Chen	D26/81
D877,959 S *	3/2020	Birchfield	D26/81
2017/0114987 A1	4/2017	Xu		

OTHER PUBLICATIONS

Beuhouz Lighting Farmhouse Chandelier available at lightsdaddy.com as early as Oct. 9, 2019. (Year: 2019).*

Rustic Linear Wooden Chandelier with Metal Wire Cage for Kitchen Island available at 7pmhome.com as early as Nov. 19, 2019. (Year: 2019).*

YOBO Lighting Antique 3-lights Oil Rubbed Bronze Chandelier with Wire Cage available at amazon.com Jun. 9, 2015. (Year: 2015).*

* cited by examiner

Primary Examiner — Clare E Heflin

(57) **CLAIM**

The ornamental design for a lamp, as shown and described.

DESCRIPTION

FIG. 1 is a perspective view of a lamp showing my new design;

FIG. 2 is another perspective view thereof;

FIG. 3 is a front elevational view thereof;

FIG. 4 is a rear elevational view thereof;

FIG. 5 is a left side elevational view thereof;

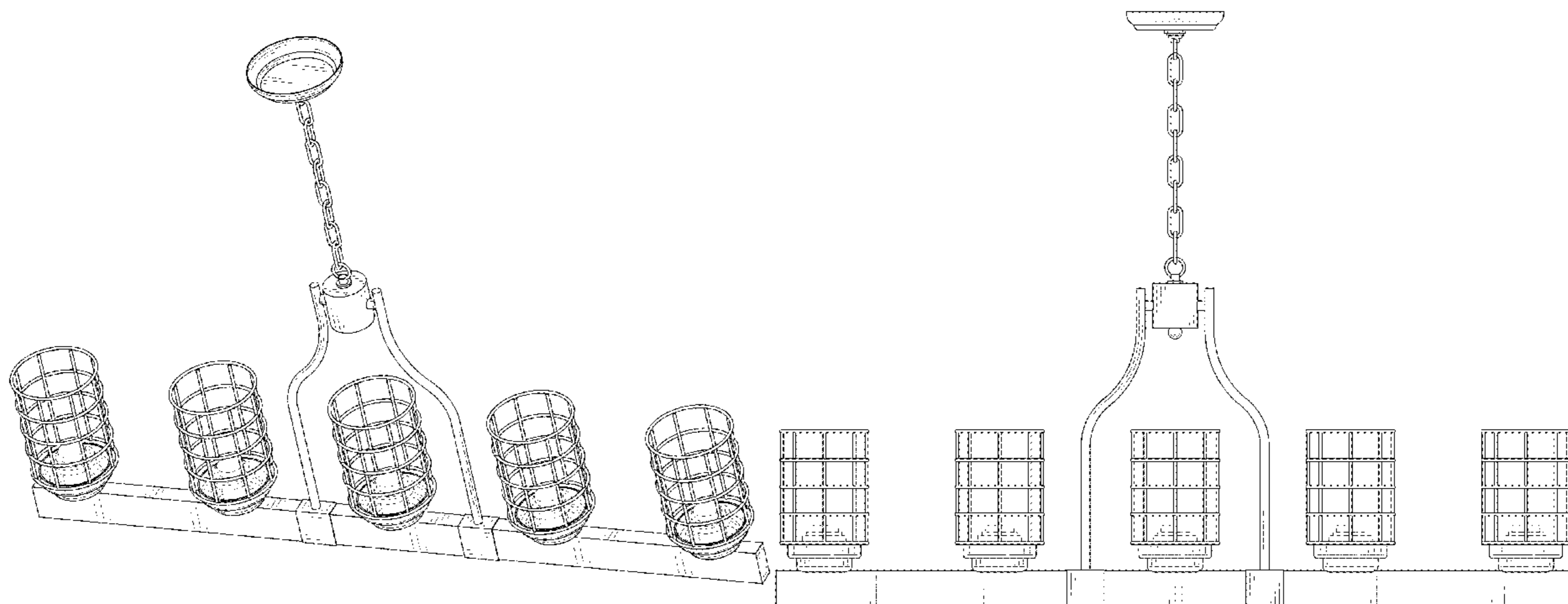
FIG. 6 is a right side elevational view thereof;

FIG. 7 is a top plan view thereof; and,

FIG. 8 is a bottom plan view thereof.

The broken lines in the drawings depict portions of the lamp that form no part of the claimed design.

1 Claim, 8 Drawing Sheets



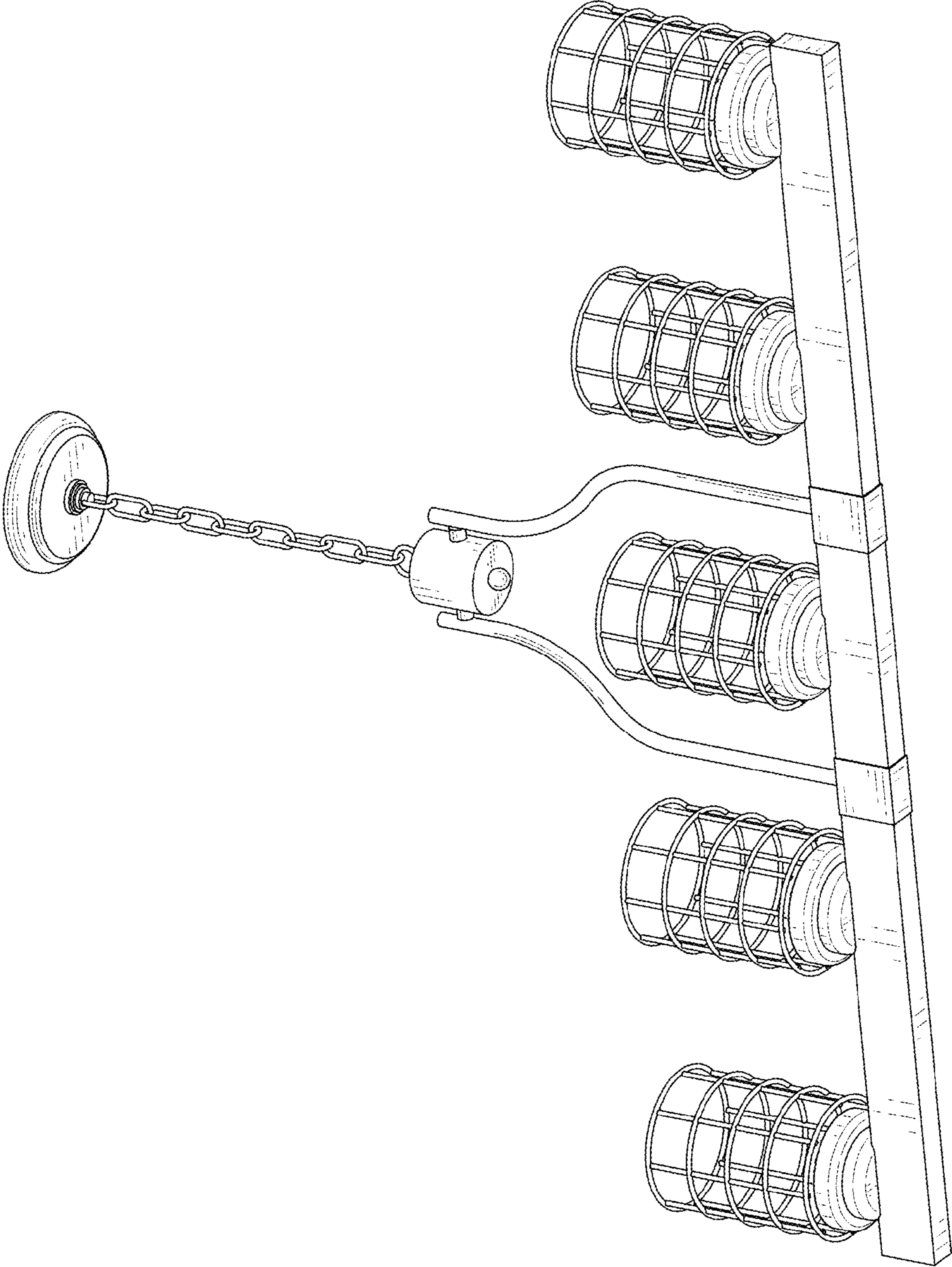


FIG. 1

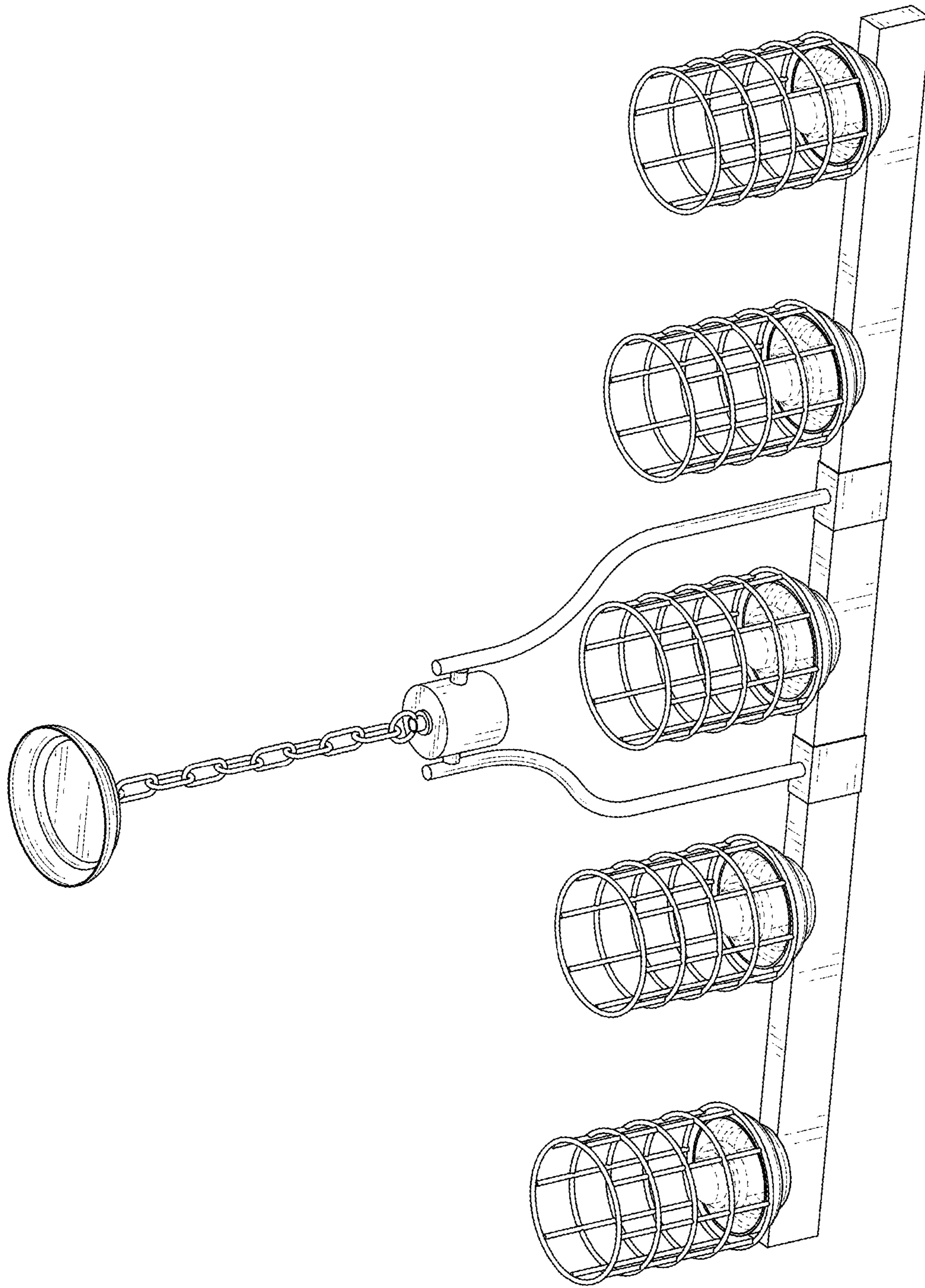


FIG. 2

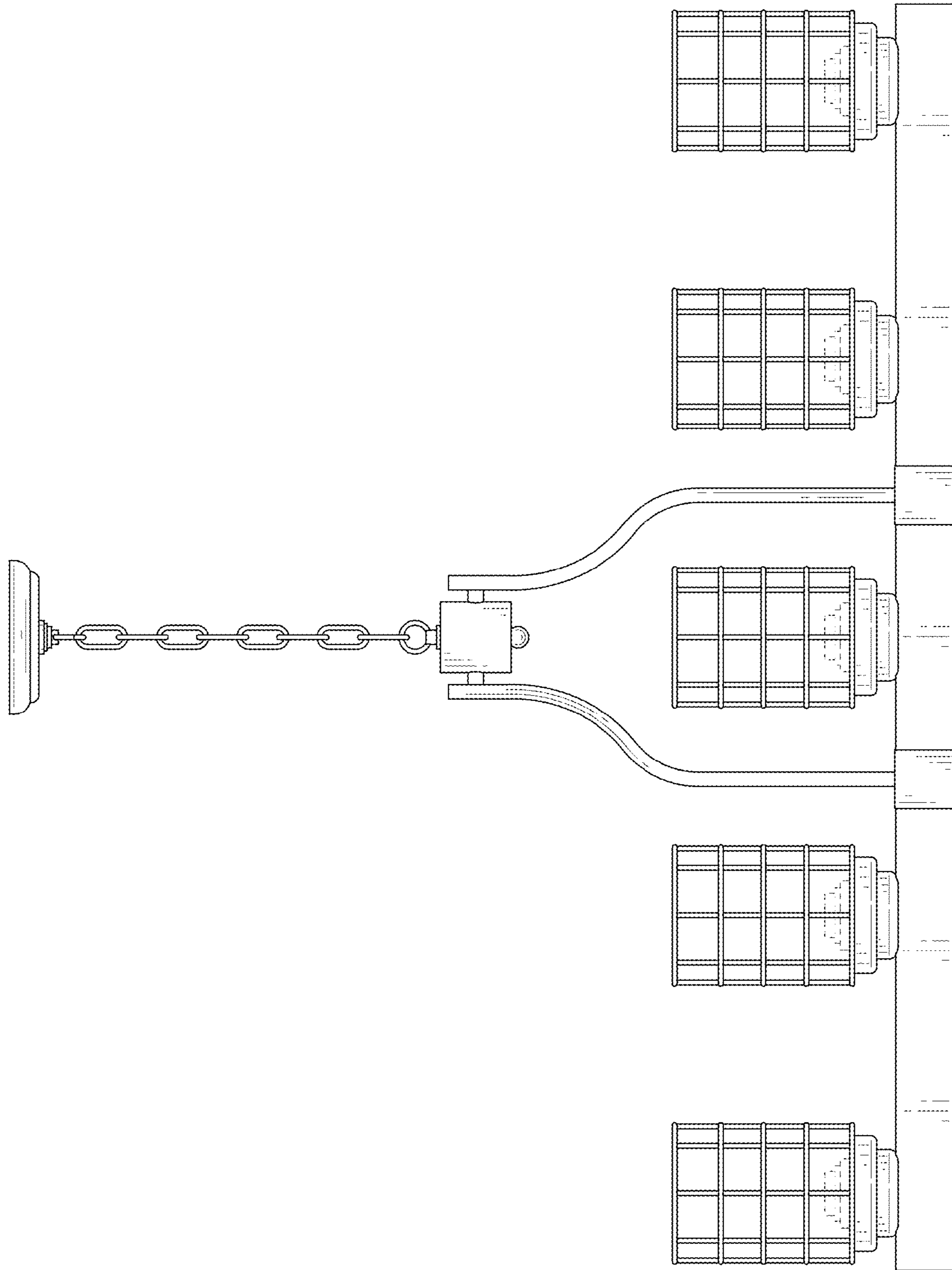


FIG. 3

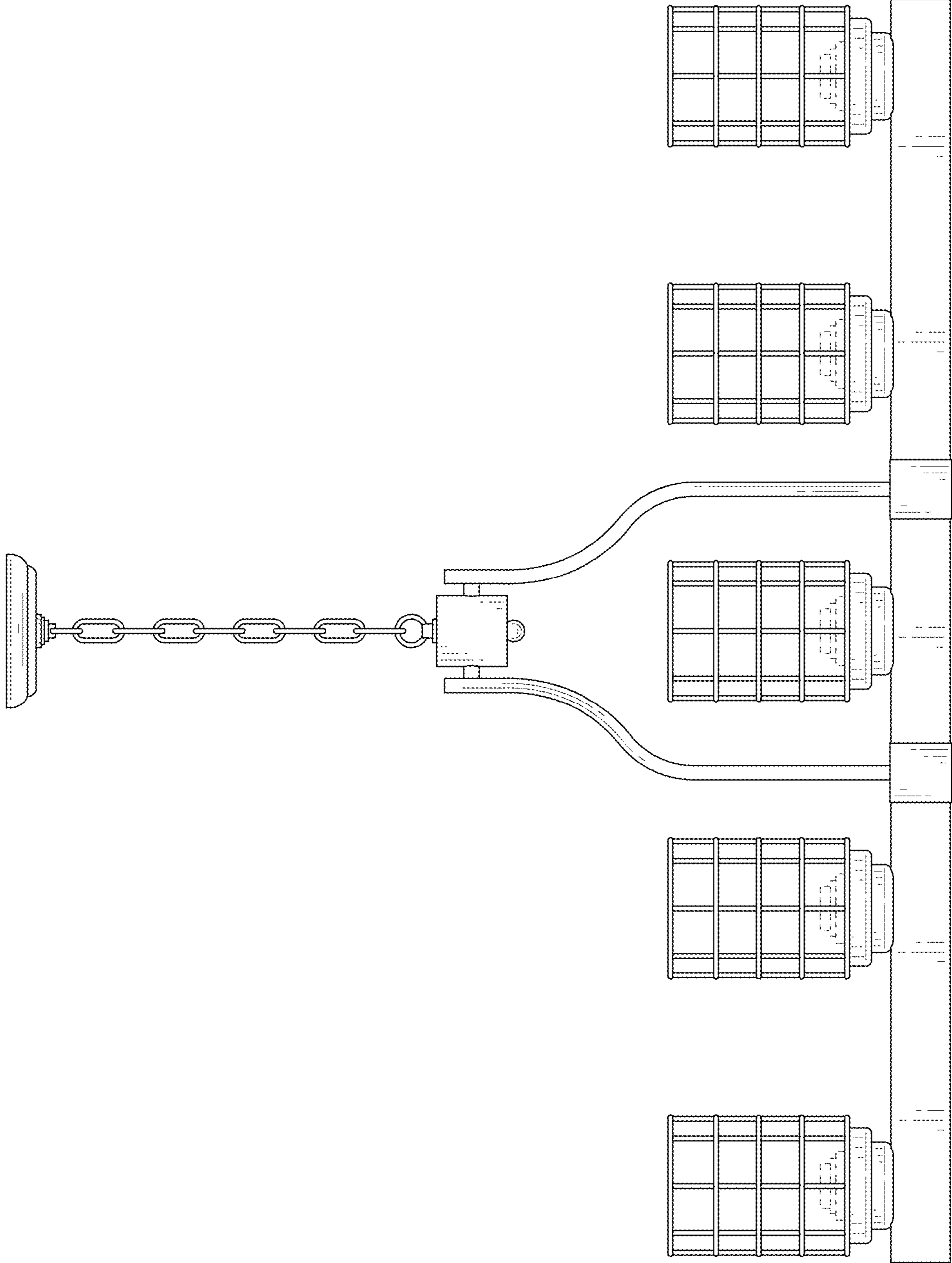


FIG. 4

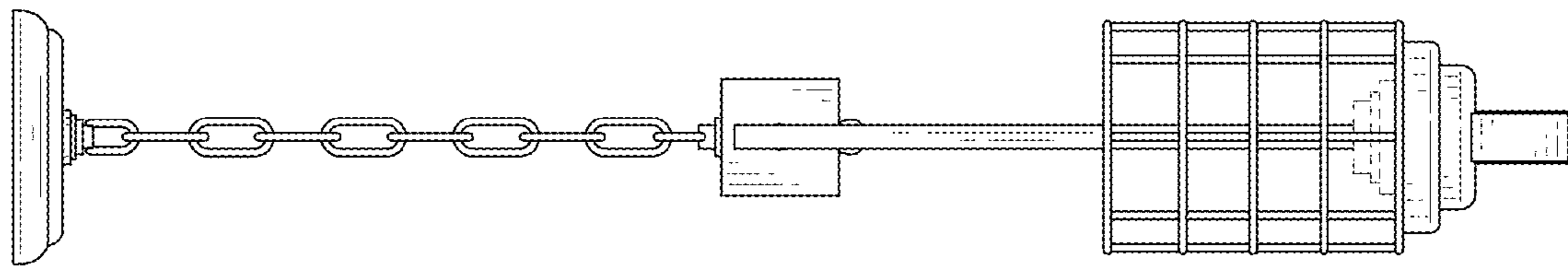


FIG. 5

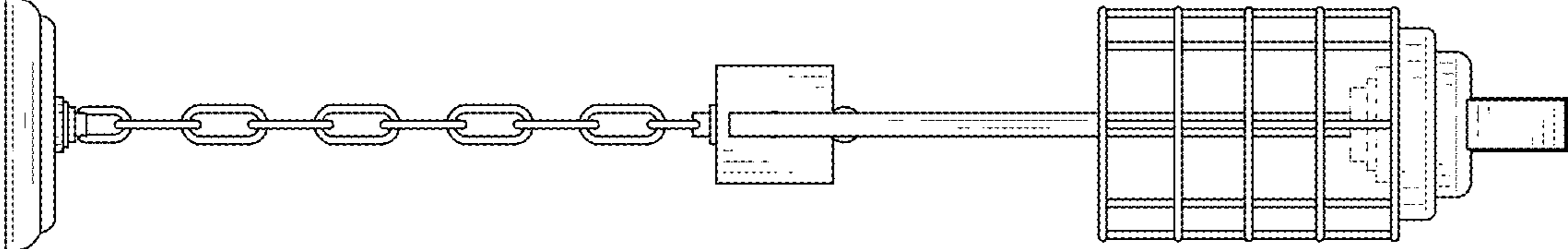


FIG. 6

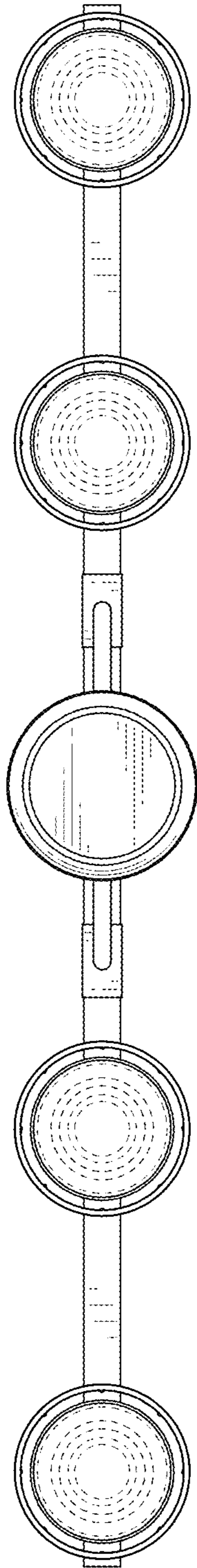


FIG. 7

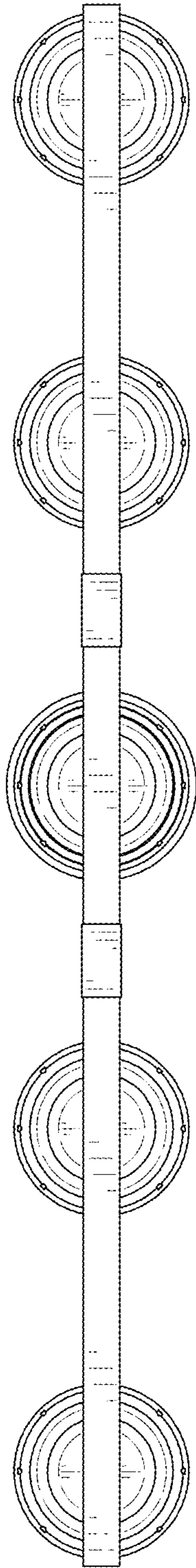


FIG. 8