



US00D897022S

(12) **United States Design Patent**
Guo

(10) **Patent No.:** **US D897,022 S**
(45) **Date of Patent:** **** Sep. 22, 2020**

- (54) **LED LIGHT**
- (71) Applicant: **SHENZHEN OUYIXIN TECHNOLOGY CO., LTD.**, Shenzhen (CN)
- (72) Inventor: **Liping Guo**, Shenzhen (CN)
- (73) Assignee: **SHENZHEN OUYIXIN TECHNOLOGY CO., LTD.**, Shen Zhen (CN)
- (**) Term: **15 Years**
- (21) Appl. No.: **29/732,044**
- (22) Filed: **Apr. 21, 2020**
- (51) **LOC (12) Cl.** **26-04**
- (52) **U.S. Cl.**
USPC **D26/76**
- (58) **Field of Classification Search**
USPC D26/72, 74, 76, 78-83, 85, 86, 88, 90,
D26/93, 111, 113, 118, 119, 120, 121,
D26/122, 138, 139, 140, 141, 142, 152
CPC F21S 2/00; F21S 4/00; F21S 4/003; F21S
4/005; F21S 4/006; F21S 4/007; F21S
4/008; F21S 6/00; F21S 8/00; F21S
8/024; F21S 8/026; F21S 8/031; F21S
8/033; F21S 8/035-037; F21S 8/04; F21S
8/043; F21S 8/063
See application file for complete search history.

- (56) **References Cited**
U.S. PATENT DOCUMENTS
D344,605 S * 2/1994 Aspenwall D26/76
D476,753 S * 7/2003 Chelf D26/3
D607,598 S * 1/2010 Xiao D26/76
D607,599 S * 1/2010 Zhou D26/76
D663,065 S * 7/2012 Beghelli D26/76
D671,254 S * 11/2012 Miyatake D26/75
D691,750 S 10/2013 Mackiewicz

- D693,048 S * 11/2013 Ng D26/76
- D698,054 S 1/2014 He et al.
- D729,421 S 5/2015 Yoshida
- D735,392 S * 7/2015 Ng D26/76
- D736,432 S 8/2015 Elwell et al.
- D750,308 S * 2/2016 Rodgers D26/76
- D759,278 S 6/2016 Kim
- D785,820 S * 5/2017 Gao D26/2
- D795,485 S 8/2017 Goltche
- D796,721 S * 9/2017 Boorom D26/72
- D798,473 S 9/2017 Huang et al.
- D800,359 S 10/2017 Jiang et al.
- D808,059 S * 1/2018 Li D26/76
- D817,523 S 5/2018 Amrine, Jr. et al.
- D824,548 S 7/2018 Bobel
- D831,257 S * 10/2018 Boulanger D26/76
- D846,762 S 4/2019 Jiang et al.
- D858,852 S * 9/2019 Chen D26/76
- D859,199 S 9/2019 Goltche

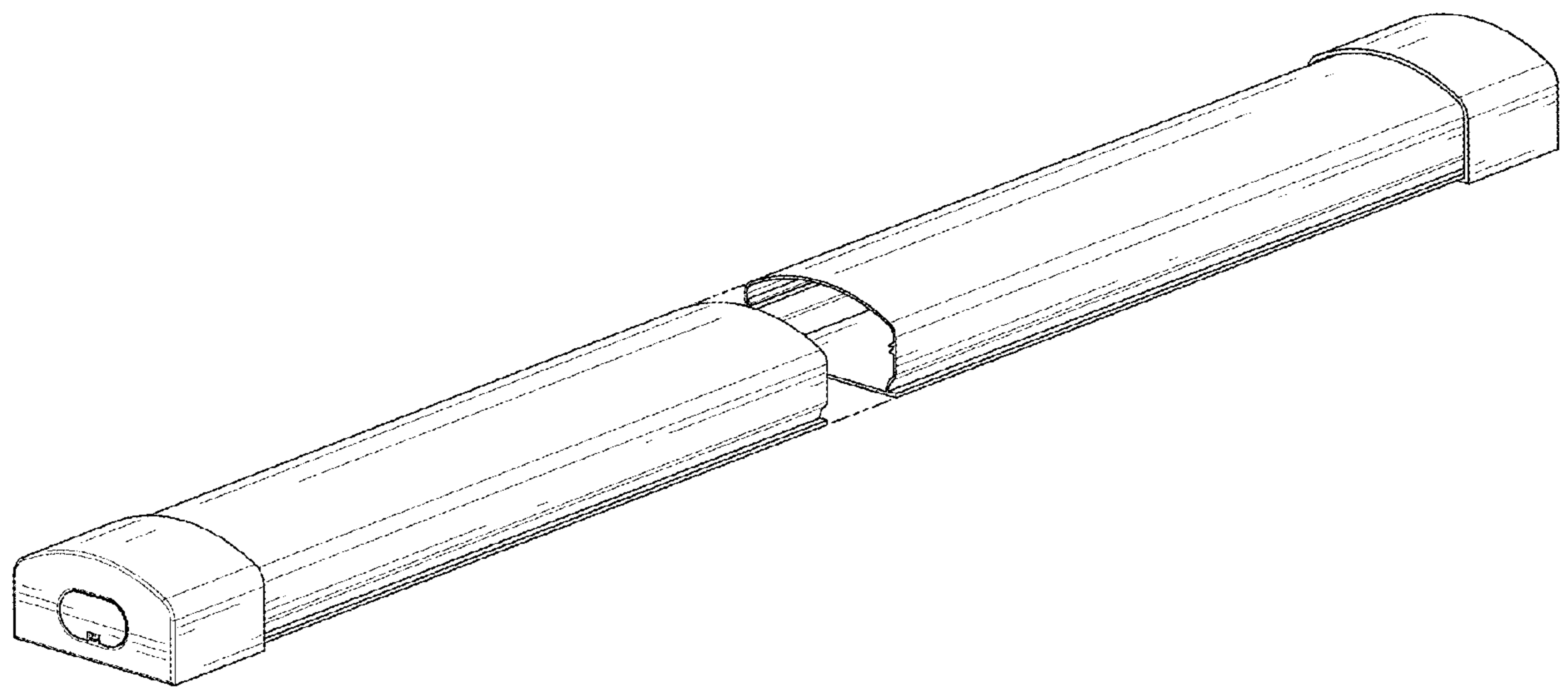
(Continued)

Primary Examiner — Natasha Vujcic
(74) *Attorney, Agent, or Firm* — Law Offices of Steven W. Weinrieb

(57) **CLAIM**
The ornamental design for an LED light, as shown and described.

DESCRIPTION
FIG. 1 is a front, left side, top perspective view of an LED light showing my new design;
FIG. 2 is a rear, right side, top perspective view thereof;
FIG. 3 is a front elevational view thereof;
FIG. 4 is a rear elevational view thereof;
FIG. 5 is a left side elevational view thereof;
FIG. 6 is a right side elevational view thereof;
FIG. 7 is a top plan view thereof; and,
FIG. 8 is a bottom plan view thereof.
The broken lines depict portions of the LED light that form no part of the claimed design.

1 Claim, 7 Drawing Sheets



(56)

References Cited

U.S. PATENT DOCUMENTS

D861,950 S	10/2019	Hsu	
D862,766 S *	10/2019	Kim	D26/76
D880,019 S	3/2020	Leydig	
D880,026 S	3/2020	Riffner	
D880,044 S *	3/2020	Chen	D26/76
D883,548 S *	5/2020	Hand	D26/63

* cited by examiner

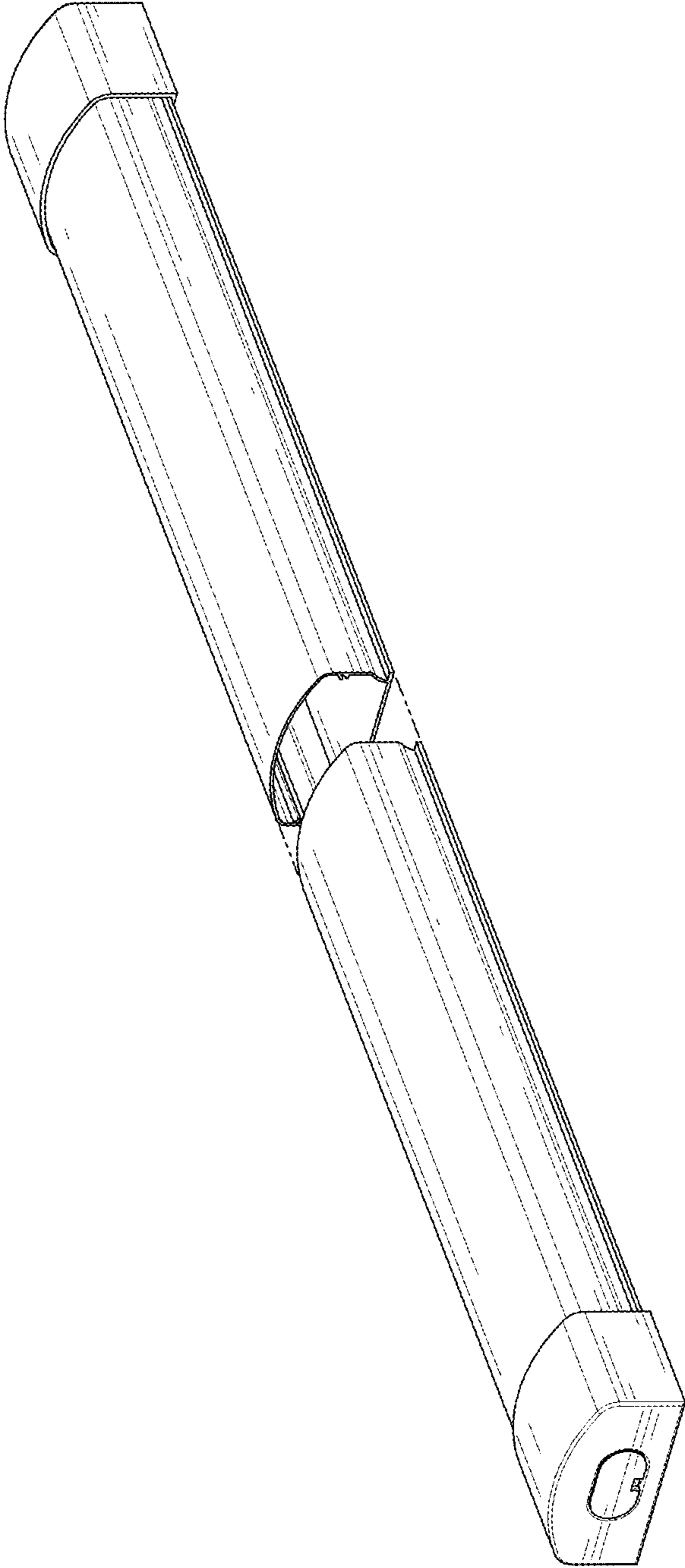


FIG.1

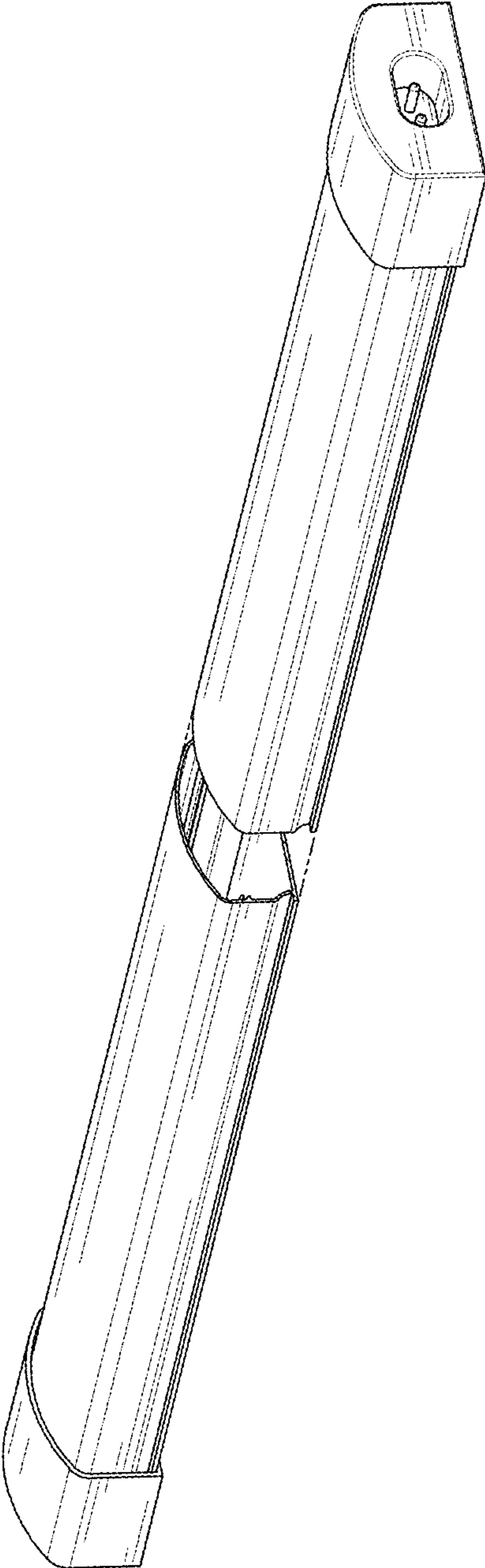


FIG. 2

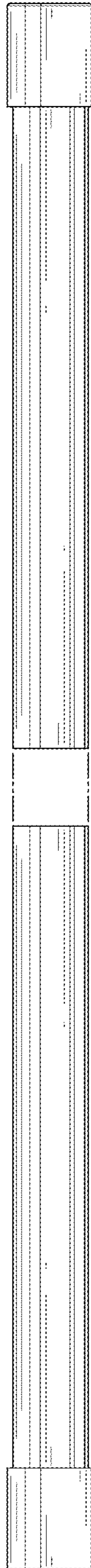


FIG. 3

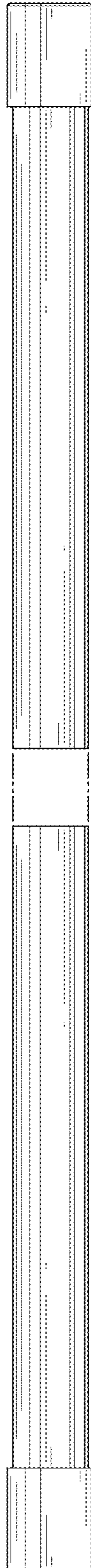


FIG. 4

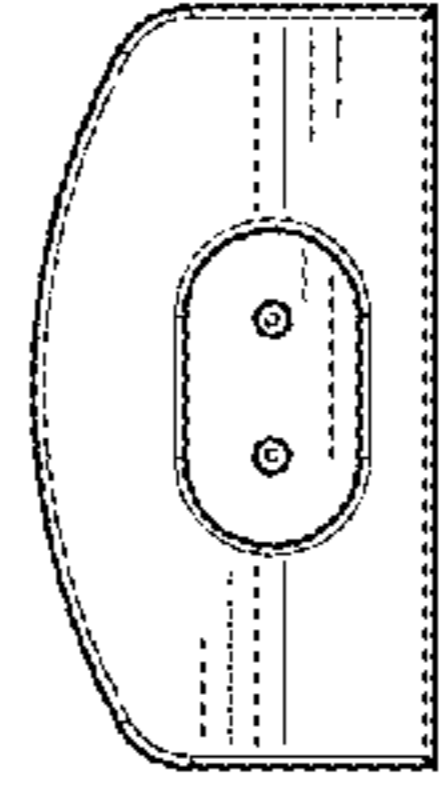


FIG. 6

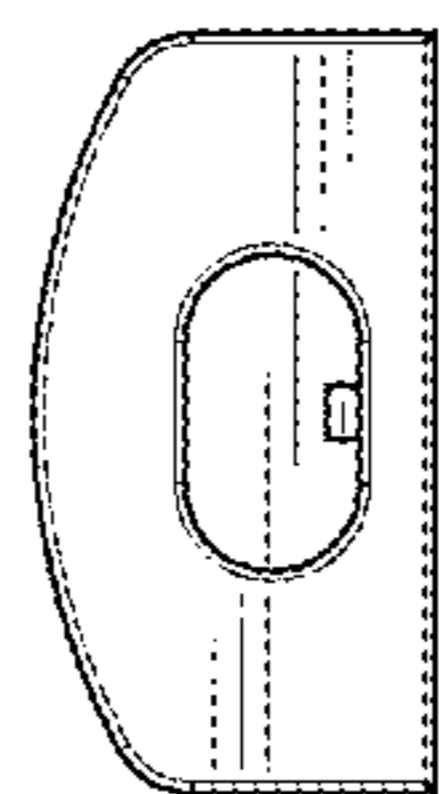


FIG. 5

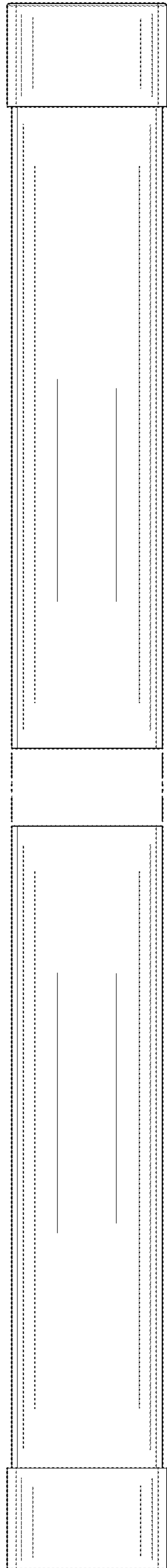


FIG. 7

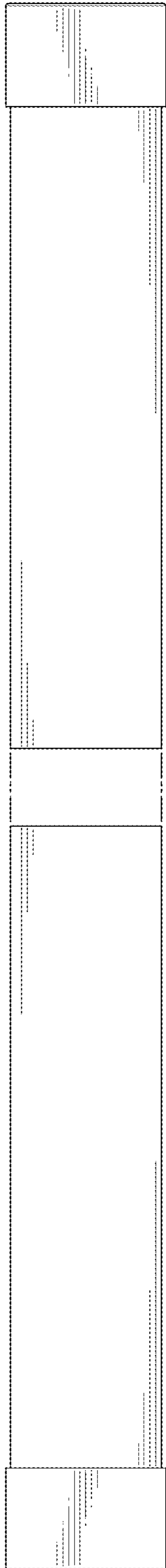


FIG. 8