



US00D897021S

(12) **United States Design Patent**
Miyawaki

(10) **Patent No.:** **US D897,021 S**

(45) **Date of Patent:** **** Sep. 22, 2020**

(54) **WORK LIGHT**

(56) **References Cited**

(71) Applicant: **IRIS OHYAMA INC.**, Sendai-shi,
Miyagi (JP)

(72) Inventor: **Masayuki Miyawaki**, Kakuda (JP)

(73) Assignee: **IRIS OHYAMA INC.**, Sendai-shi (JP)

(**) Term: **15 Years**

(21) Appl. No.: **29/677,354**

(22) Filed: **Jan. 18, 2019**

(30) **Foreign Application Priority Data**

Aug. 8, 2018 (JP) 2018-017451

(51) **LOC (12) Cl.** **26-03**

(52) **U.S. Cl.**
USPC **D26/65**

(58) **Field of Classification Search**

USPC D26/1, 24, 61, 63, 65, 85, 92

CPC F21V 21/14; F21V 15/01; F21V 14/02;

F21V 21/30; F21V 21/00; F21V 14/00;

F21S 8/00; F21S 8/003; F21S 8/043;

F21Y 2105/001

See application file for complete search history.

U.S. PATENT DOCUMENTS

D403,094 S * 12/1998 Grossman D26/63

D505,220 S * 5/2005 Stekelenburg D26/61

D844,208 S * 3/2019 You D26/63

D856,565 S * 8/2019 Fang D26/63

D861,945 S * 10/2019 Fang D26/63

D863,641 S * 10/2019 Miyawaki D26/63

* cited by examiner

Primary Examiner — Brian N. Vinson

(74) *Attorney, Agent, or Firm* — Studebaker & Brackett
PC

(57) **CLAIM**

The ornamental design for a work light, as shown and described.

DESCRIPTION

FIG. 1 is a front, top and right-side perspective view of a work light showing my new design;

FIG. 2 is a front view thereof;

FIG. 3 is a rear view thereof;

FIG. 4 is a top view thereof;

FIG. 5 is a bottom view thereof; and,

FIG. 6 is a right-side view thereof, with the left-side view being a mirror image thereof.

1 Claim, 6 Drawing Sheets

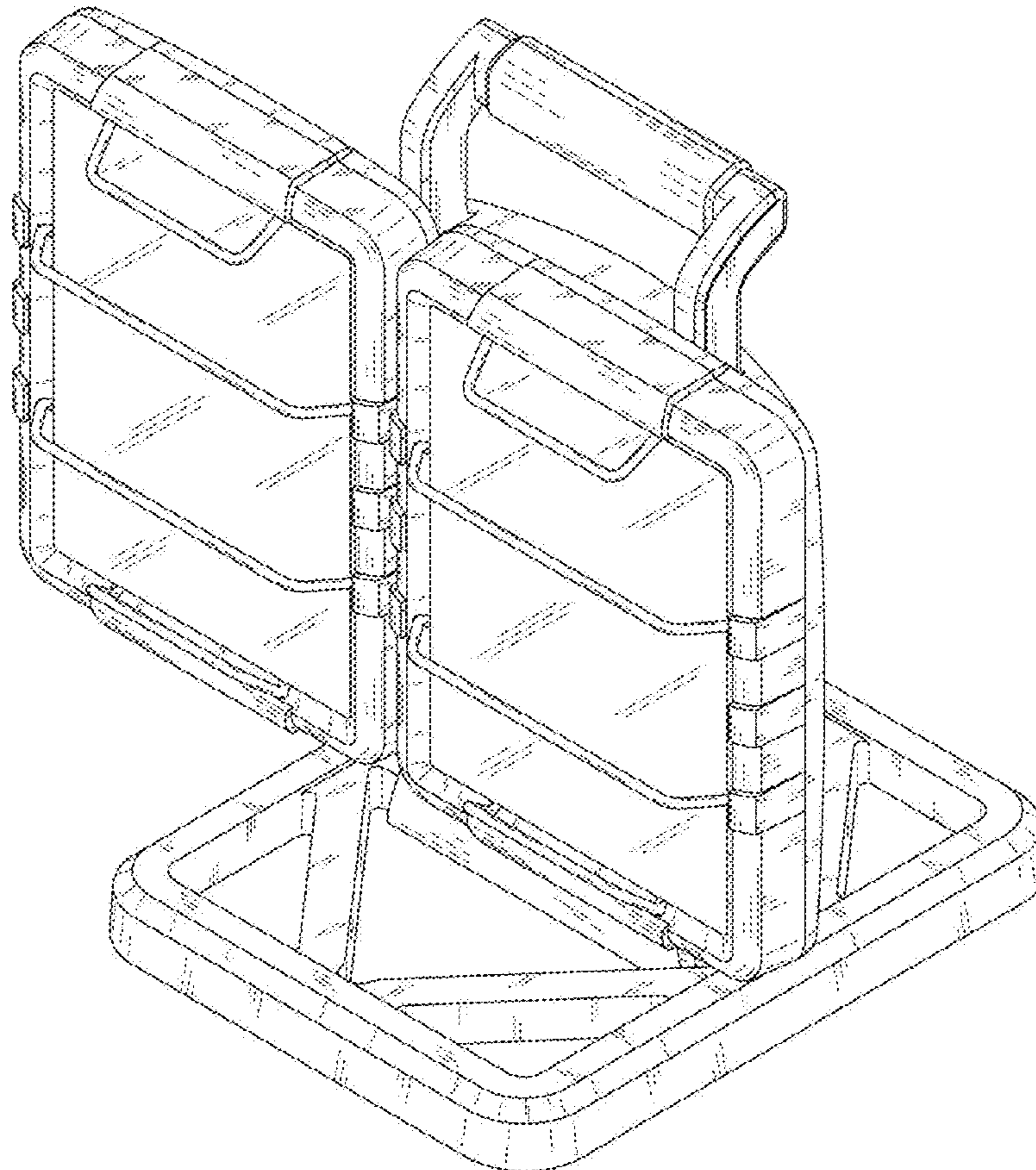


FIG. 1

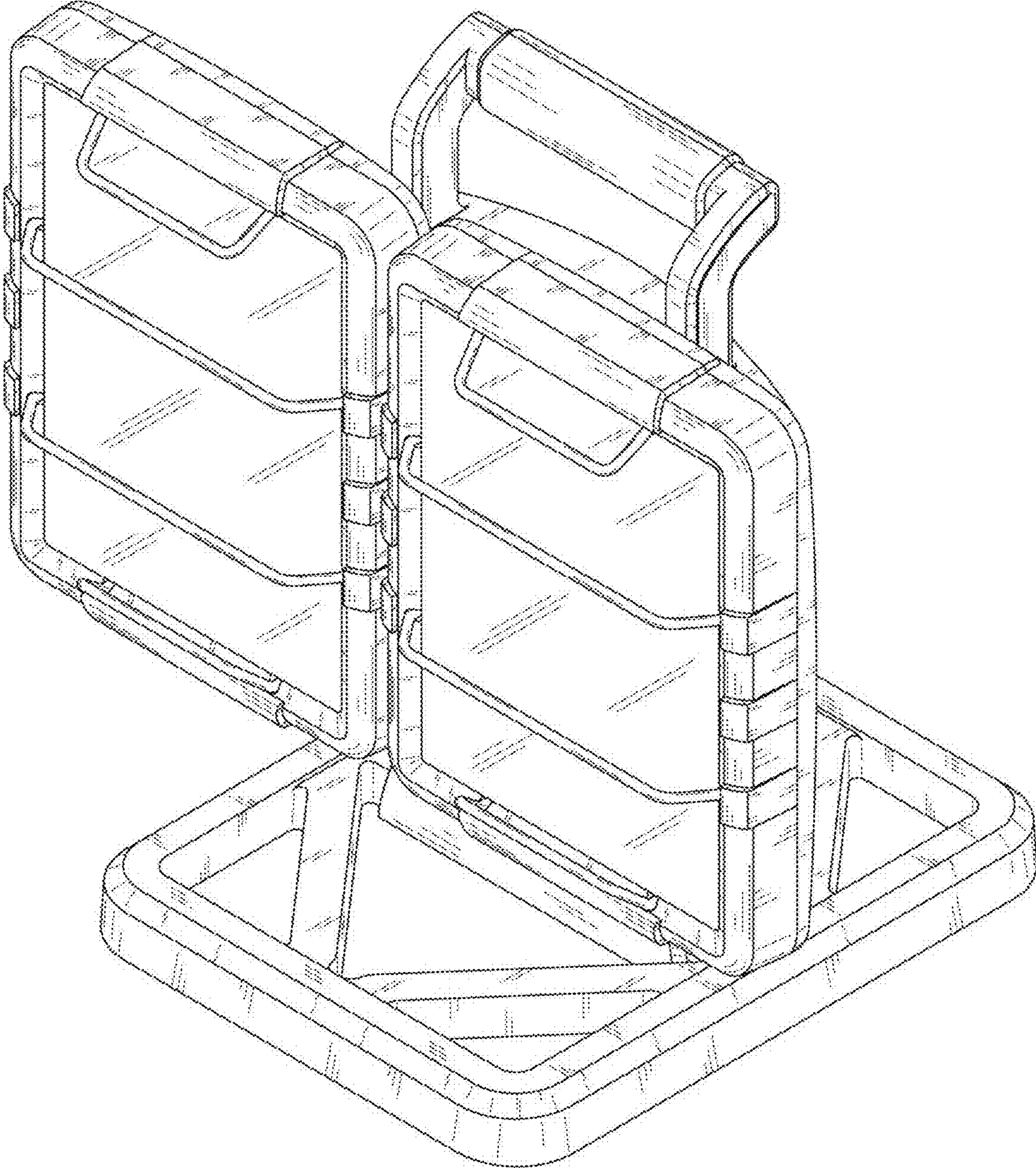


FIG. 2

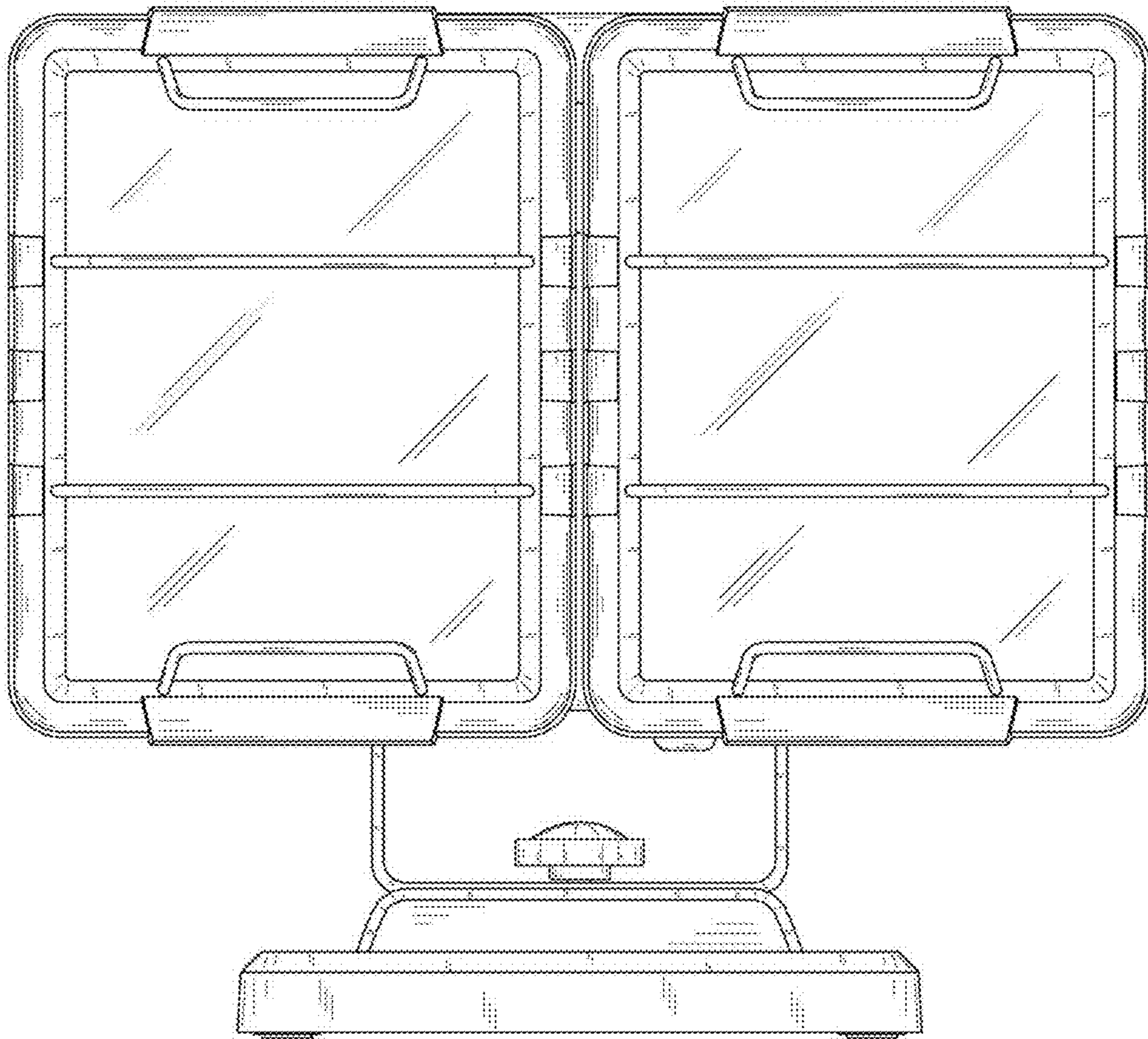


FIG. 3

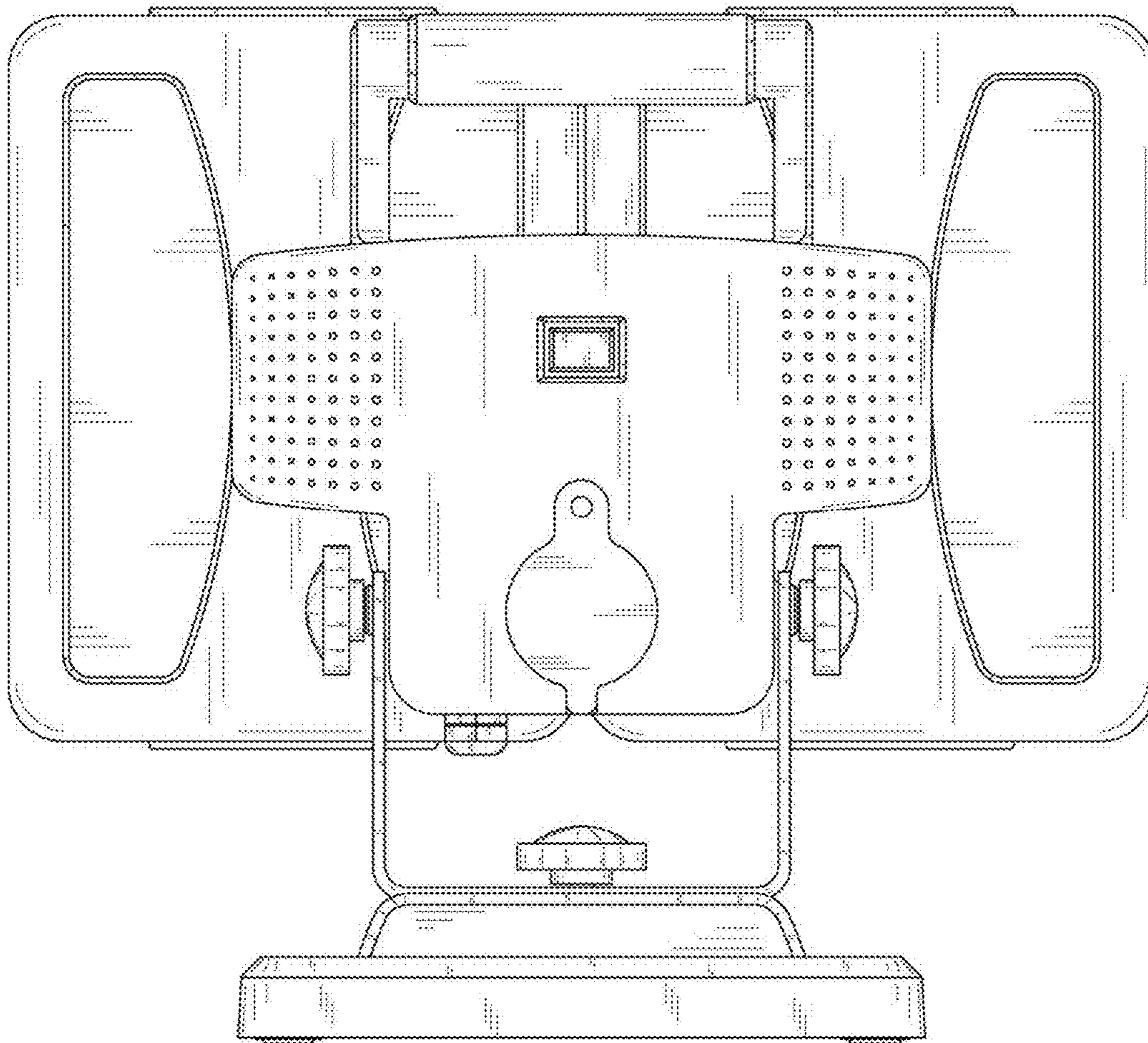


FIG. 4

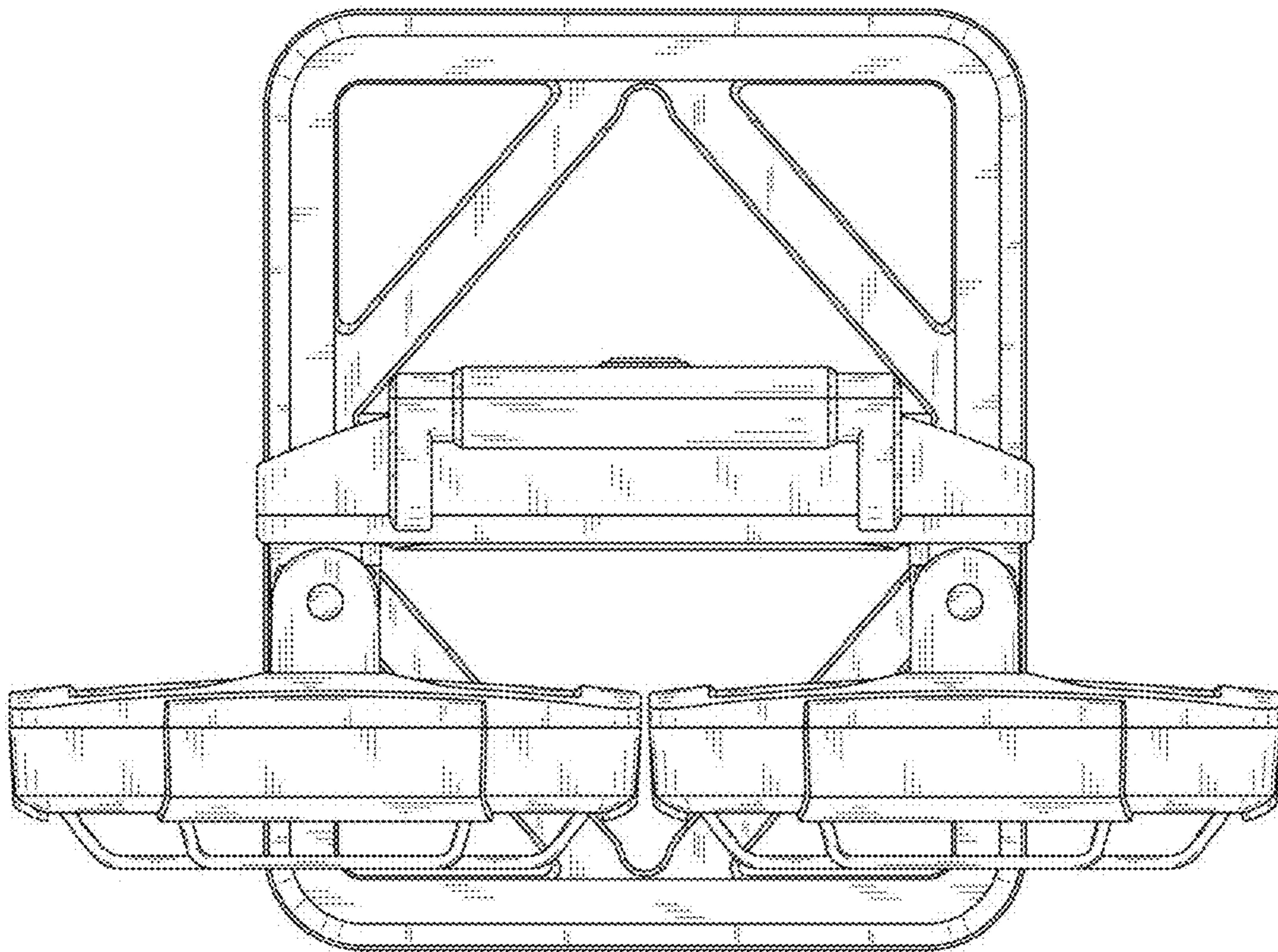


FIG. 5

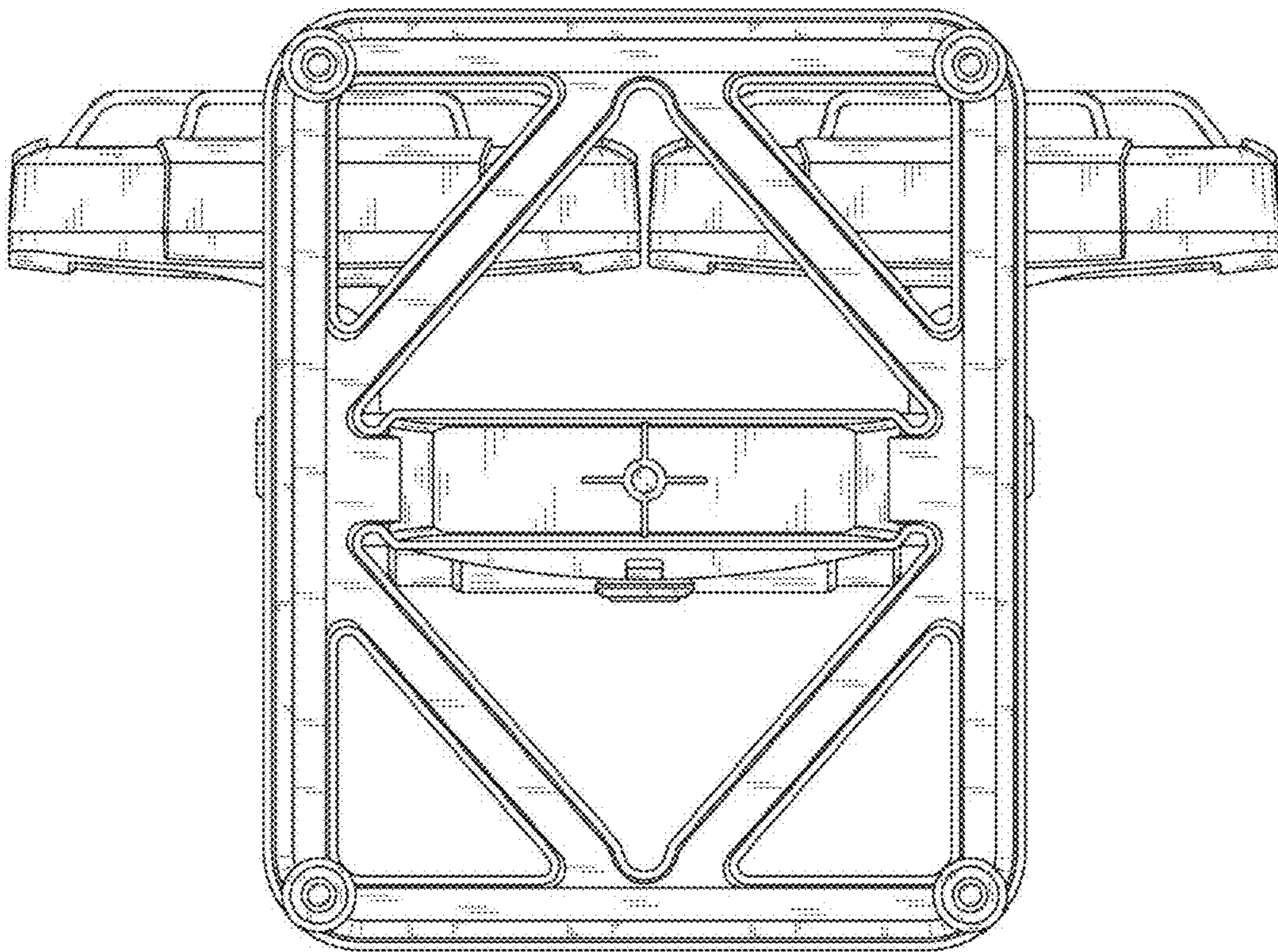


FIG. 6

