



US00D897020S

(12) **United States Design Patent**  
**Miyawaki**

(10) **Patent No.:** **US D897,020 S**

(45) **Date of Patent:** **\*\* Sep. 22, 2020**

(54) **WORK LIGHT**

FOREIGN PATENT DOCUMENTS

(71) Applicant: **Iris Ohyama Inc.**, Sendai-shi, Miyagi (JP)

JP 1476549 S 8/2013  
JP 1605644 S 6/2018

(72) Inventor: **Masayuki Miyawaki**, Kakuda (JP)

OTHER PUBLICATIONS

(73) Assignee: **IRIS OHYAMA INC.**, Sendai-shi (JP)

A Notice of Allowance mailed by the Japanese Patent Office dated Apr. 17, 2019, which corresponds to Japanese Patent Application No. 2018-021806 and is related to U.S. Appl. No. 29/685,932; with English language concise explanation.

(\*\*) Term: **15 Years**

(21) Appl. No.: **29/685,932**

\* cited by examiner

(22) Filed: **Apr. 1, 2019**

*Primary Examiner* — Brian N. Vinson

(30) **Foreign Application Priority Data**

Oct. 4, 2018 (JP) ..... 2018-021806

(74) *Attorney, Agent, or Firm* — Studebaker & Brackett PC

(51) **LOC (12) Cl.** ..... **26-03**

(57) **CLAIM**

(52) **U.S. Cl.**  
USPC ..... **D26/63**

The ornamental design for a work light, as shown and described.

(58) **Field of Classification Search**  
USPC ..... D26/1, 24, 61, 63, 65, 85, 92  
CPC ..... F21V 21/14; F21V 15/01; F21V 14/02;  
F21V 21/30; F21V 21/00; F21V 14/00;  
F21S 8/00; F21S 8/003; F21S 8/043;  
F21Y 2105/001

**DESCRIPTION**

See application file for complete search history.

FIG. 1 is a front, top and right-side perspective view of a work light showing my new design;  
FIG. 2 is a front view thereof;  
FIG. 3 is a rear view thereof;  
FIG. 4 is a top view thereof;  
FIG. 5 is a bottom view thereof;  
FIG. 6 is a right-side view thereof, with the left-side view being a mirror image thereof;  
FIG. 7 is an in-use, reference front view thereof; and,  
FIG. 8 is an in-use, another reference front view thereof.  
The broken lines shown represent unclaimed subject matter of the work light and form no part of the claimed design.

(56) **References Cited**

U.S. PATENT DOCUMENTS

D403,094 S \* 12/1998 Grossman ..... D26/63  
D505,220 S \* 5/2005 Stekelenburg ..... D26/61  
D844,208 S \* 3/2019 You ..... D26/63  
D856,565 S \* 8/2019 Fang ..... D26/63  
D861,945 S \* 10/2019 Fang ..... D26/63  
D863,641 S \* 10/2019 Miyawaki ..... D26/63

**1 Claim, 8 Drawing Sheets**

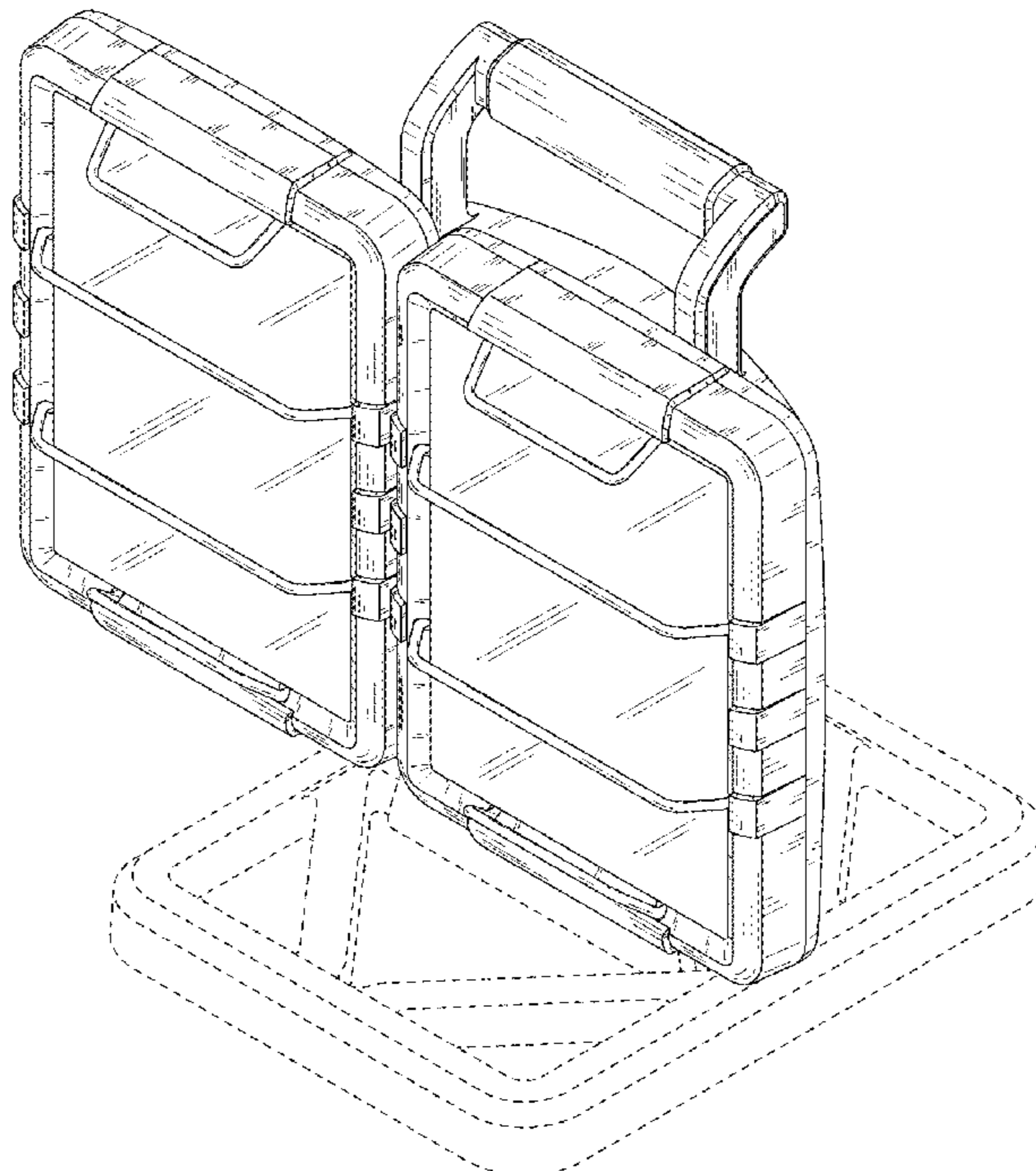


FIG. 1

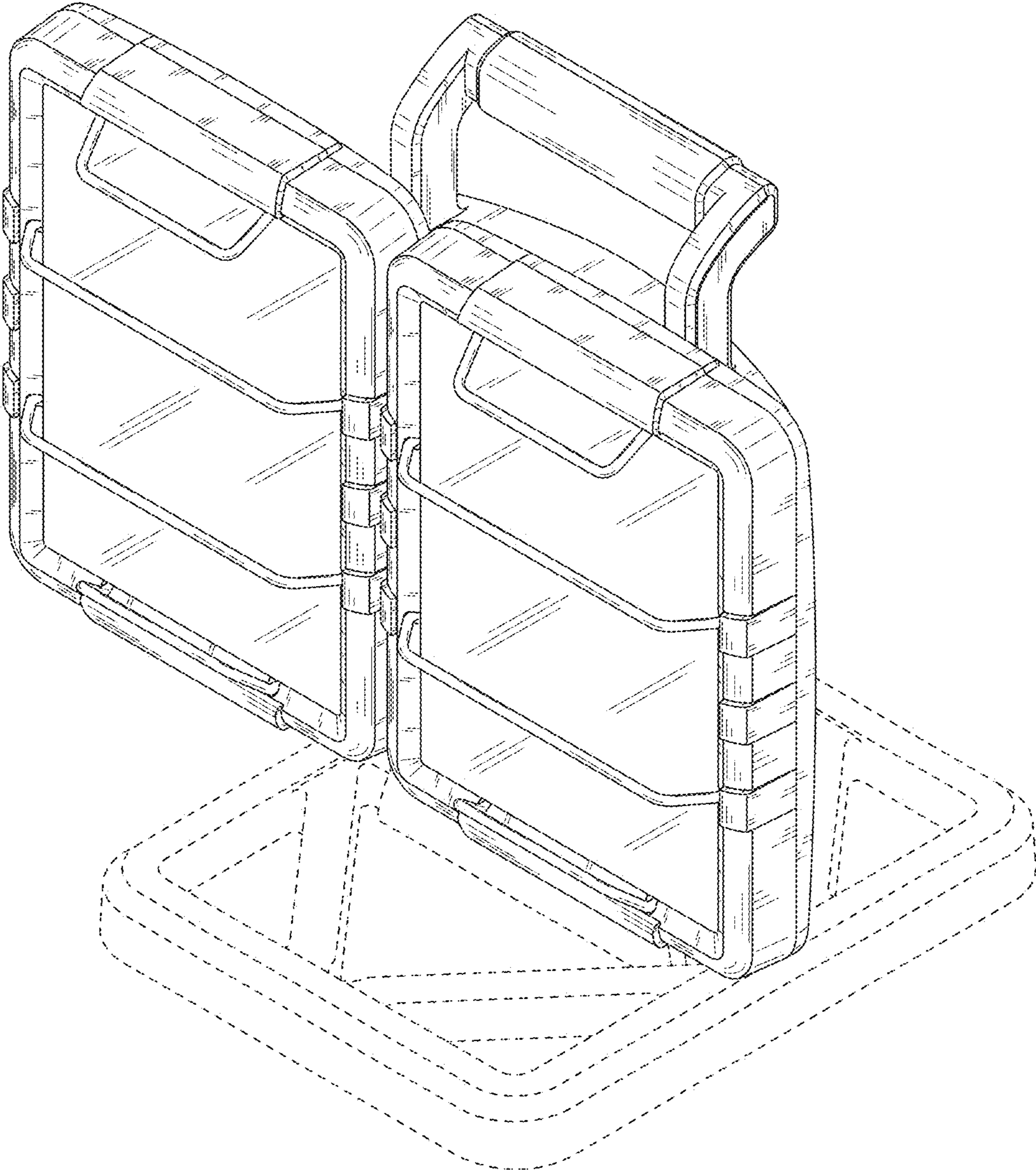


FIG. 2

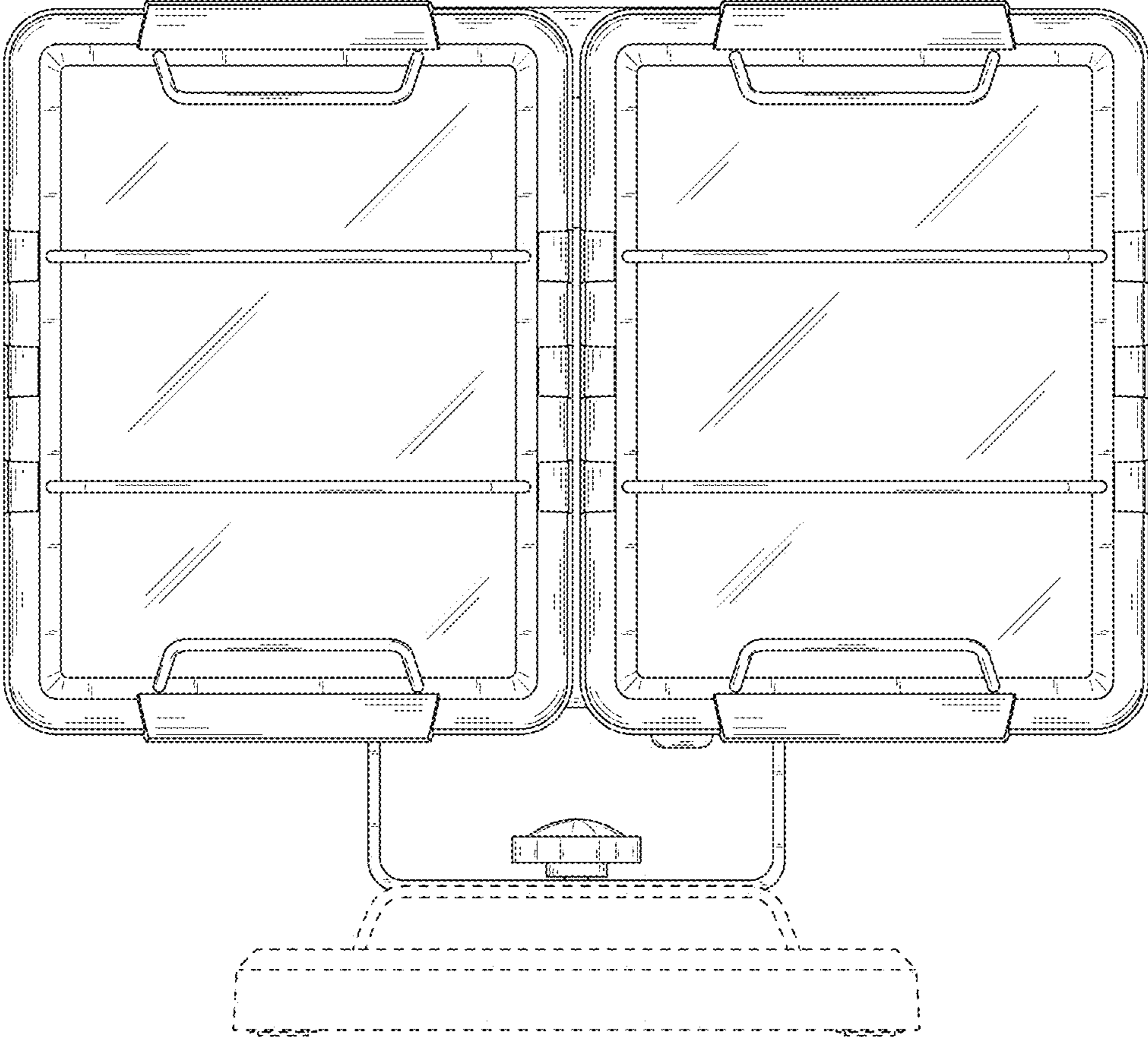


FIG. 3

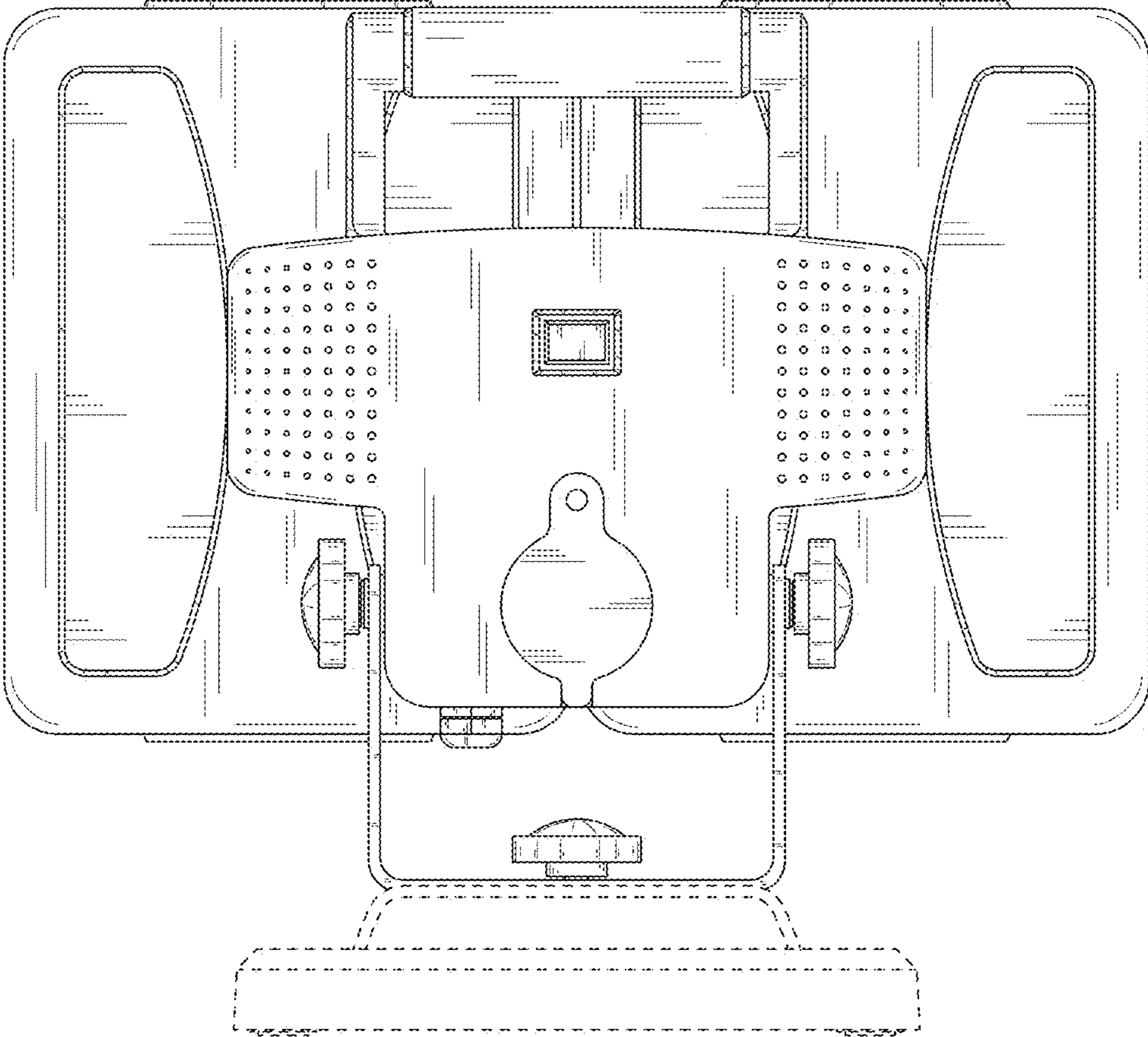


FIG. 4

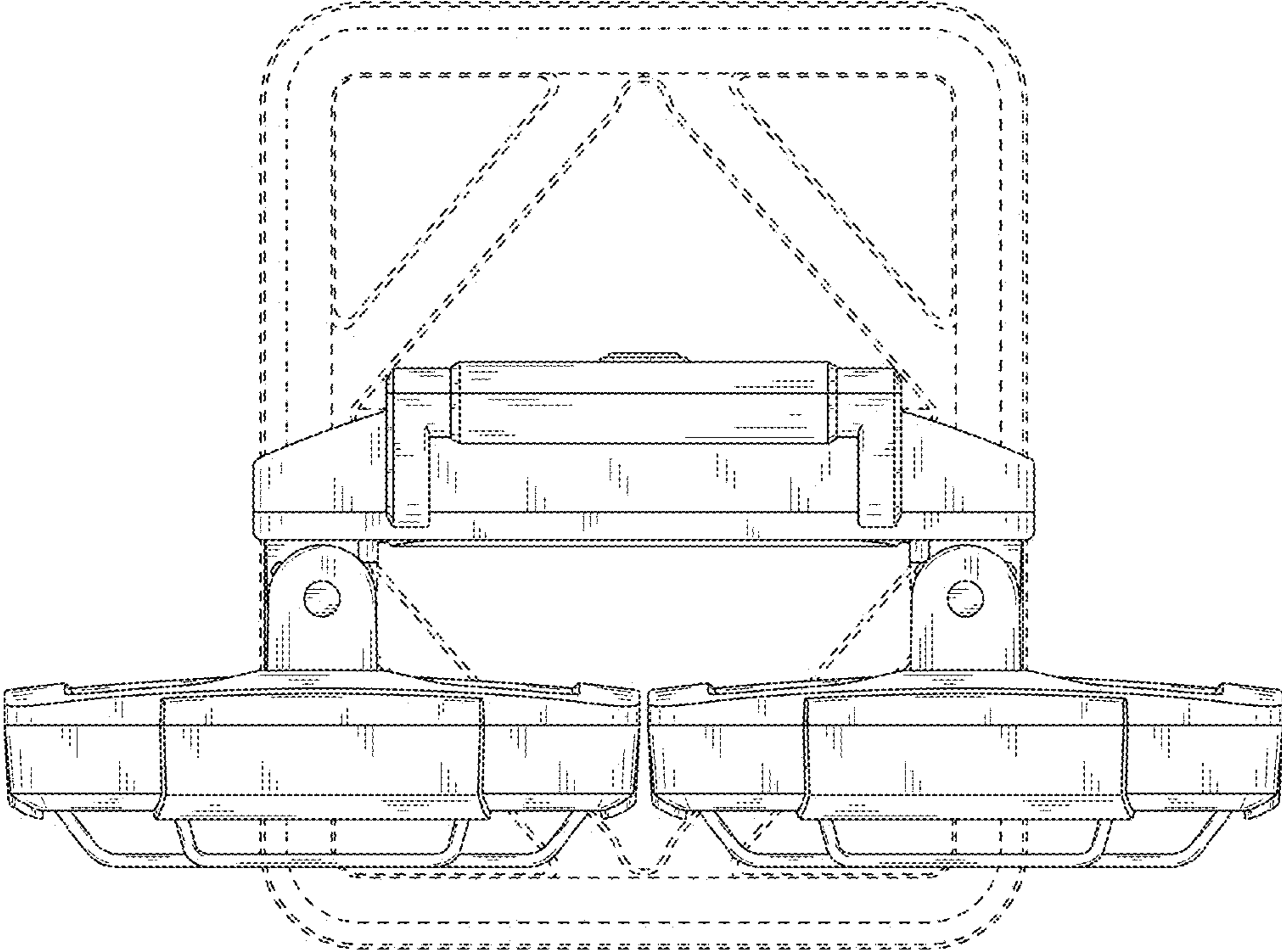


FIG. 5

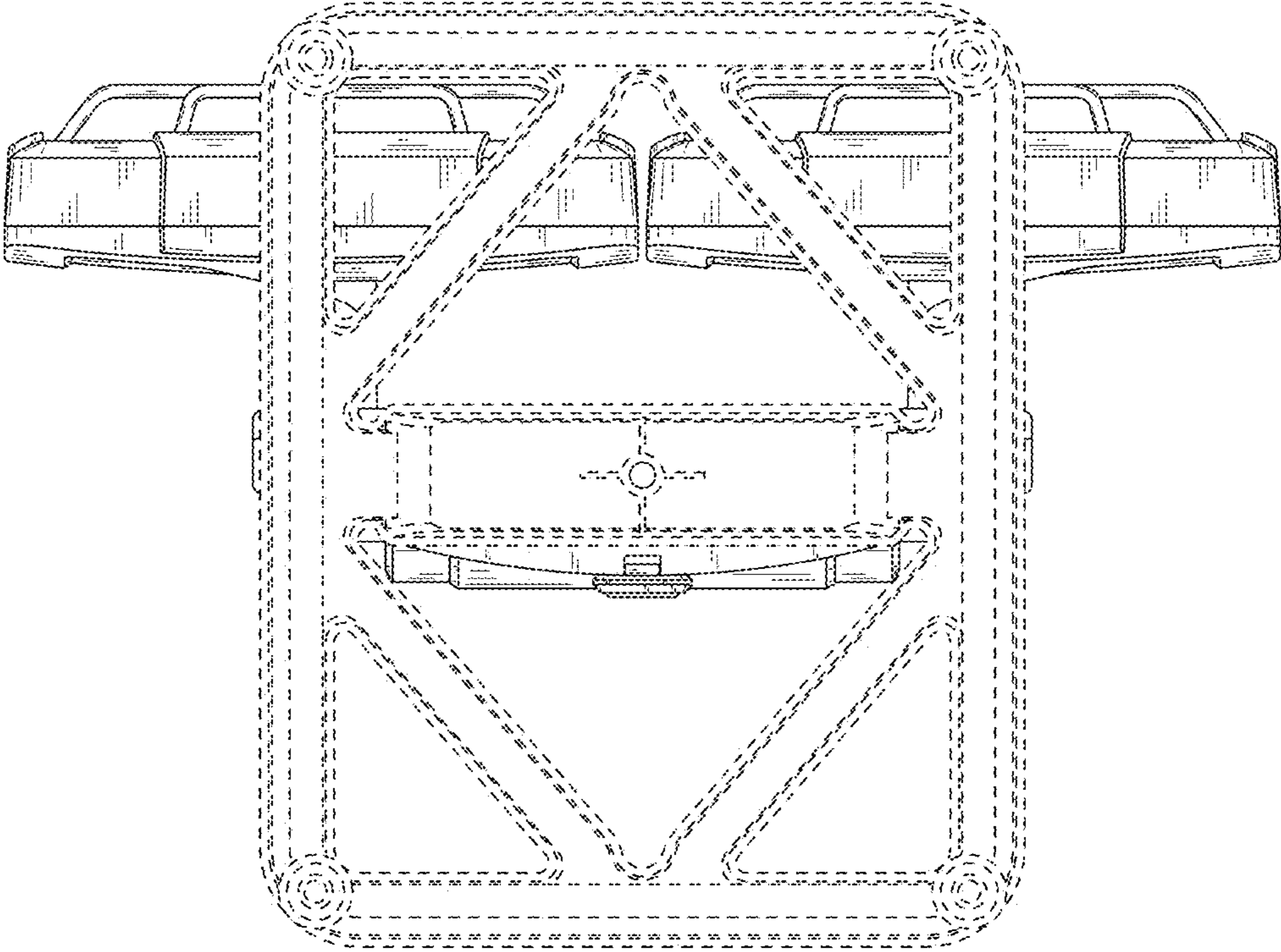


FIG. 6

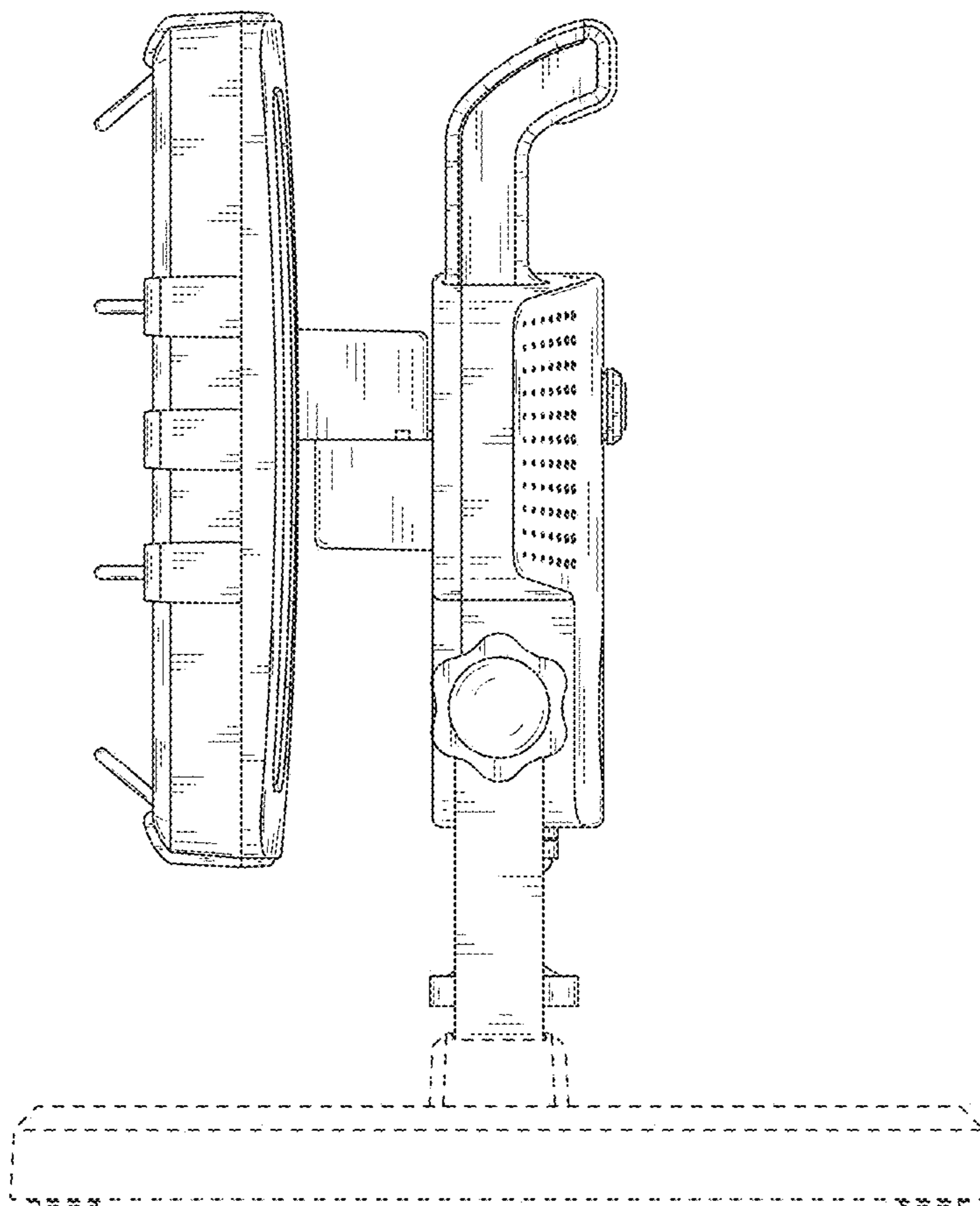


FIG. 7

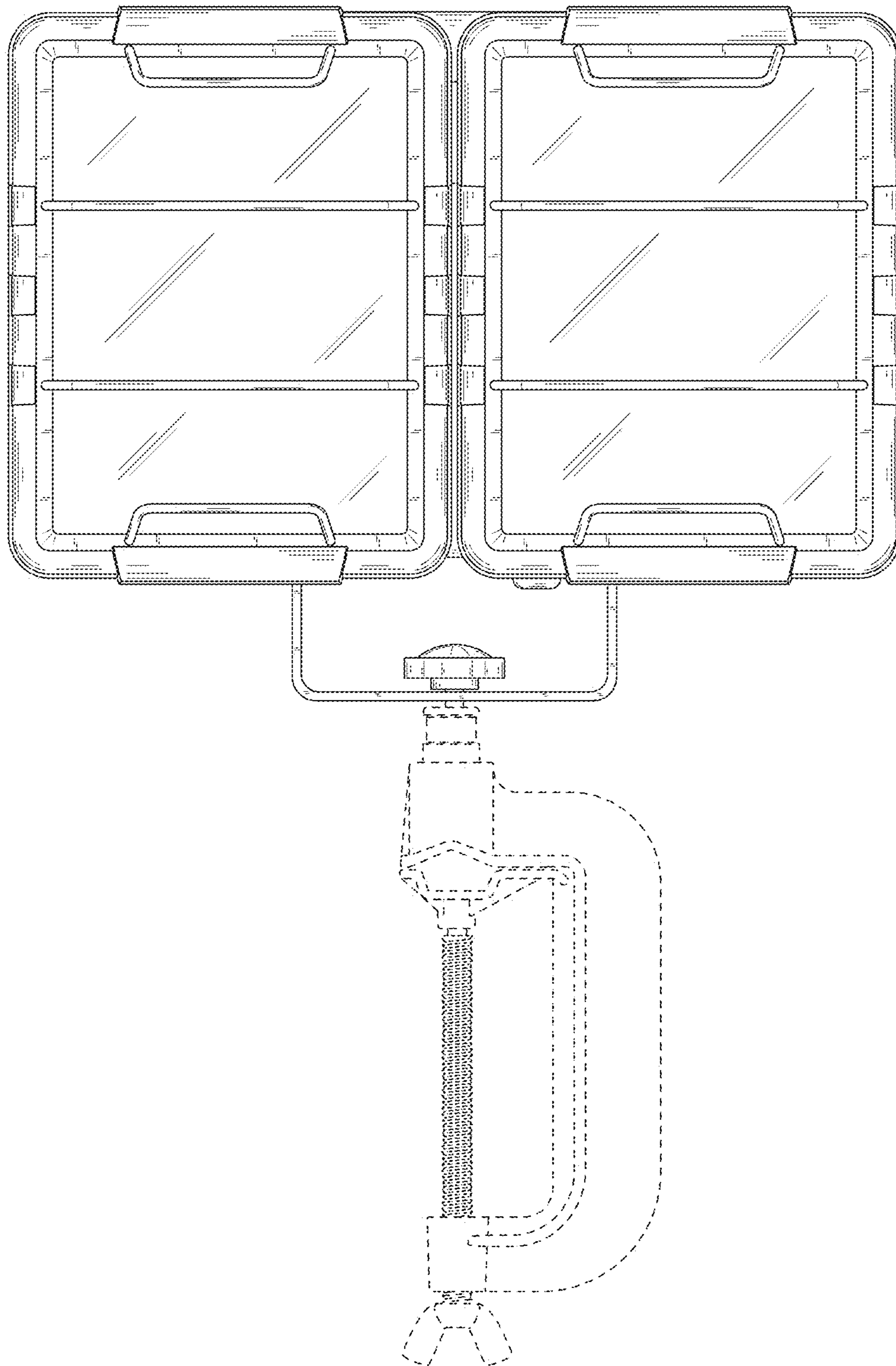




FIG. 8

