

US00D897017S

(12) **United States Design Patent**  
**Inskeep et al.**

(10) **Patent No.:** **US D897,017 S**

(45) **Date of Patent:** **\*\* Sep. 22, 2020**

(54) **SPOTLIGHT**

(71) Applicant: **Vector Products, Inc.**, Boca Raton, FL (US)

(72) Inventors: **Mathew Inskeep**, Highland Beach, FL (US); **Ling To Shum**, Boca Raton, FL (US)

(73) Assignee: **VECTOR PRODUCTS, INC.**, Boca Raton, FL (US)

(\*\*) Term: **15 Years**

(21) Appl. No.: **29/674,223**

(22) Filed: **Dec. 20, 2018**

(51) **LOC (12) Cl.** ..... **26-02**

(52) **U.S. Cl.**  
USPC ..... **D26/45**

(58) **Field of Classification Search**  
USPC ..... D26/37-51  
CPC ..... F21L 2003/00; F21L 4/00; F21L 4/005;  
F21L 4/02; F21L 4/025; F21L 4/027;  
F21L 4/04; F21L 4/08; F21L 7/00; F21L  
11/00; F21L 13/00; F21L 13/04; F21L  
13/08; F21L 14/02; F21L 17/00; F21L  
19/00; F21L 25/00

See application file for complete search history.

(56) **References Cited**

**U.S. PATENT DOCUMENTS**

D466,637 S	*	12/2002	Gisser	.....	D26/45
D603,540 S	*	11/2009	Shum	.....	D26/45
D605,796 S	*	12/2009	Crawford	.....	D26/45
D623,323 S	*	9/2010	Kung	.....	D26/45
D628,326 S	*	11/2010	Ng	.....	D26/45
D646,816 S	*	10/2011	Wang	.....	D26/45
D658,325 S	*	4/2012	Inskeep	.....	D26/45
D662,240 S	*	6/2012	Inskeep	.....	D26/45
D662,241 S	*	6/2012	Tschopp	.....	D26/45

D673,705 S	*	1/2013	Inskeep	.....	D26/45
D673,707 S	*	1/2013	Inskeep	.....	D26/45
D683,490 S	*	5/2013	Lee	.....	D26/45
D700,384 S	*	2/2014	Lee	.....	D26/45
D702,383 S	*	4/2014	Inskeep	.....	D26/45
D711,029 S	*	8/2014	Schnell	.....	D26/45
D711,574 S	*	8/2014	Shen	.....	D26/45
D718,481 S	*	11/2014	Lee	.....	D26/45
D748,310 S	*	1/2016	Inskeep	.....	D26/45
D754,380 S	*	4/2016	Inskeep	.....	D26/45
D754,381 S	*	4/2016	Inskeep	.....	D26/45
D782,091 S	*	3/2017	Inskeep	.....	D26/45
D788,341 S	*	5/2017	Inskeep	.....	D26/45
D814,086 S	*	3/2018	Cooper	.....	D26/45
D833,049 S	*	11/2018	Yu	.....	D26/45
D849,296 S	*	5/2019	Inskeep	.....	D26/45

\* cited by examiner

*Primary Examiner* — Brandon M Rosati

*Assistant Examiner* — Stacey L Hopkins

(74) *Attorney, Agent, or Firm* — Daniel S. Polley, P.A.

(57) **CLAIM**

The ornamental design for a spotlight, as shown and described.

**DESCRIPTION**

FIG. 1 is a front perspective view of a spotlight showing our new design;

FIG. 2 is a bottom perspective view thereof with the stand engaged.

FIG. 3 is a rear perspective view thereof with the stand engaged;

FIG. 4 is a top view thereof.

FIG. 5 is a bottom view thereof.

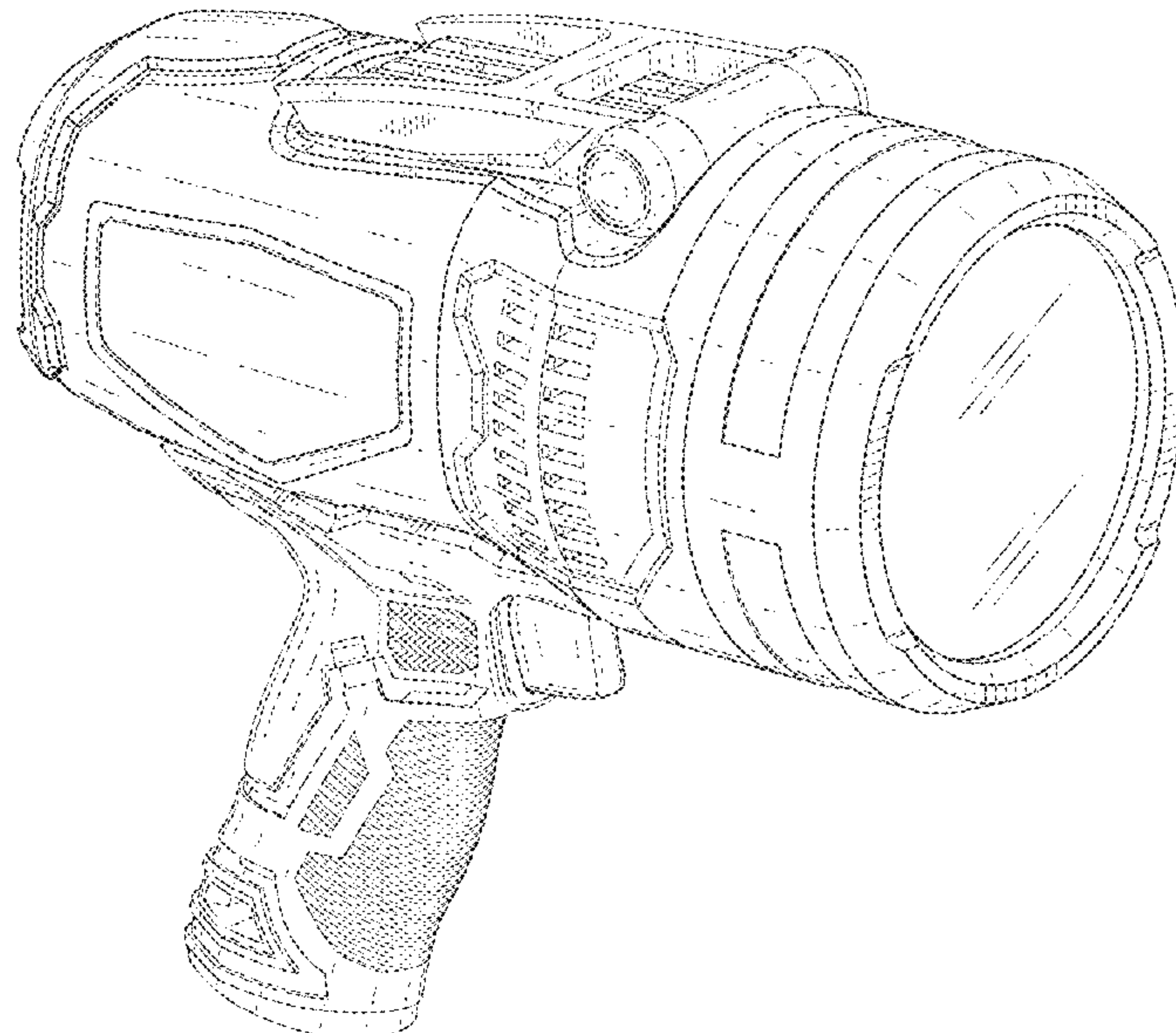
FIG. 6 is a right side view thereof.

FIG. 7 is a left side view thereof with the stand engaged.

FIG. 8 is a front facing view thereof with the stand engaged; and,

FIG. 9 is a back view thereof.

**1 Claim, 9 Drawing Sheets**



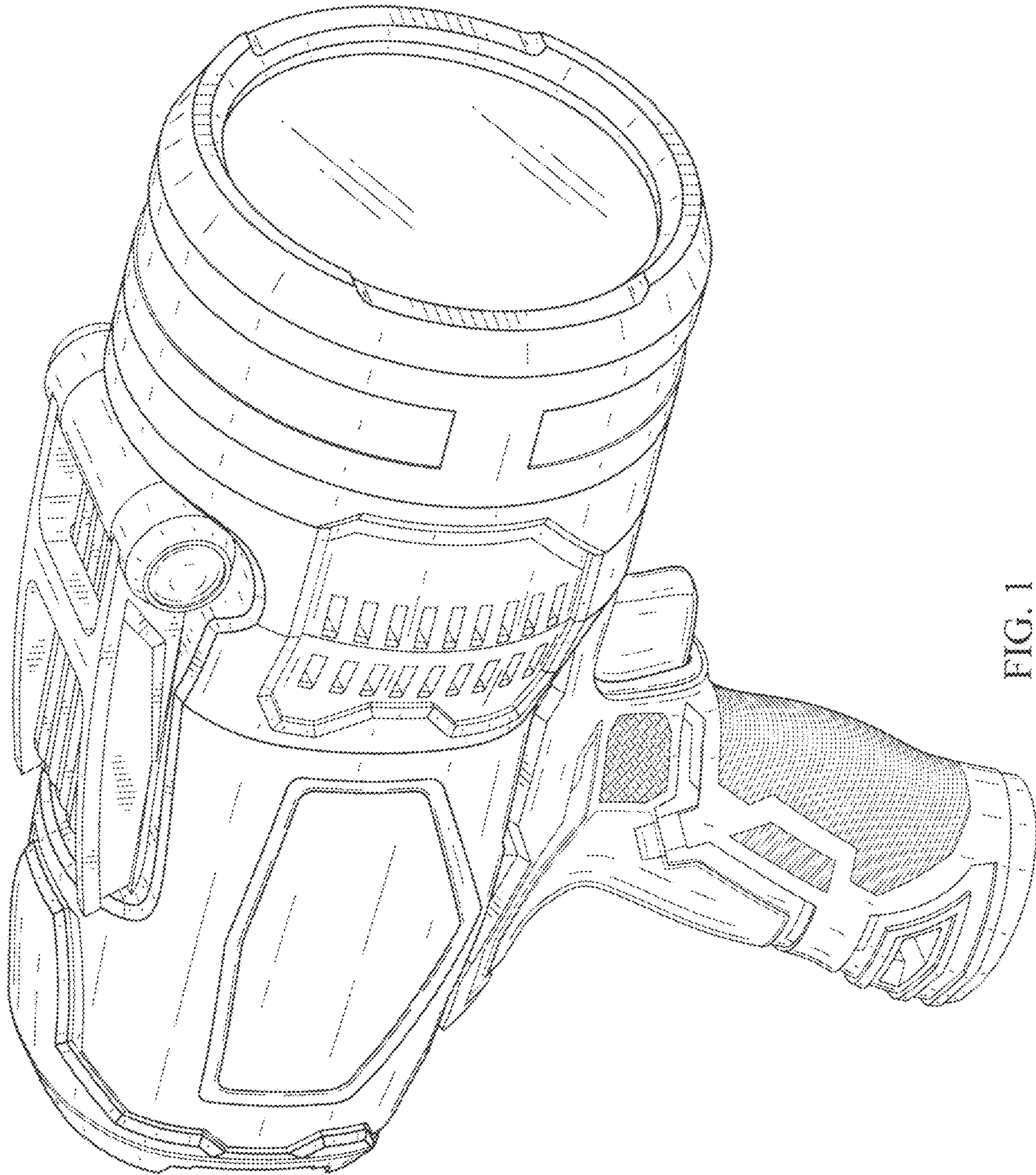


FIG. 1



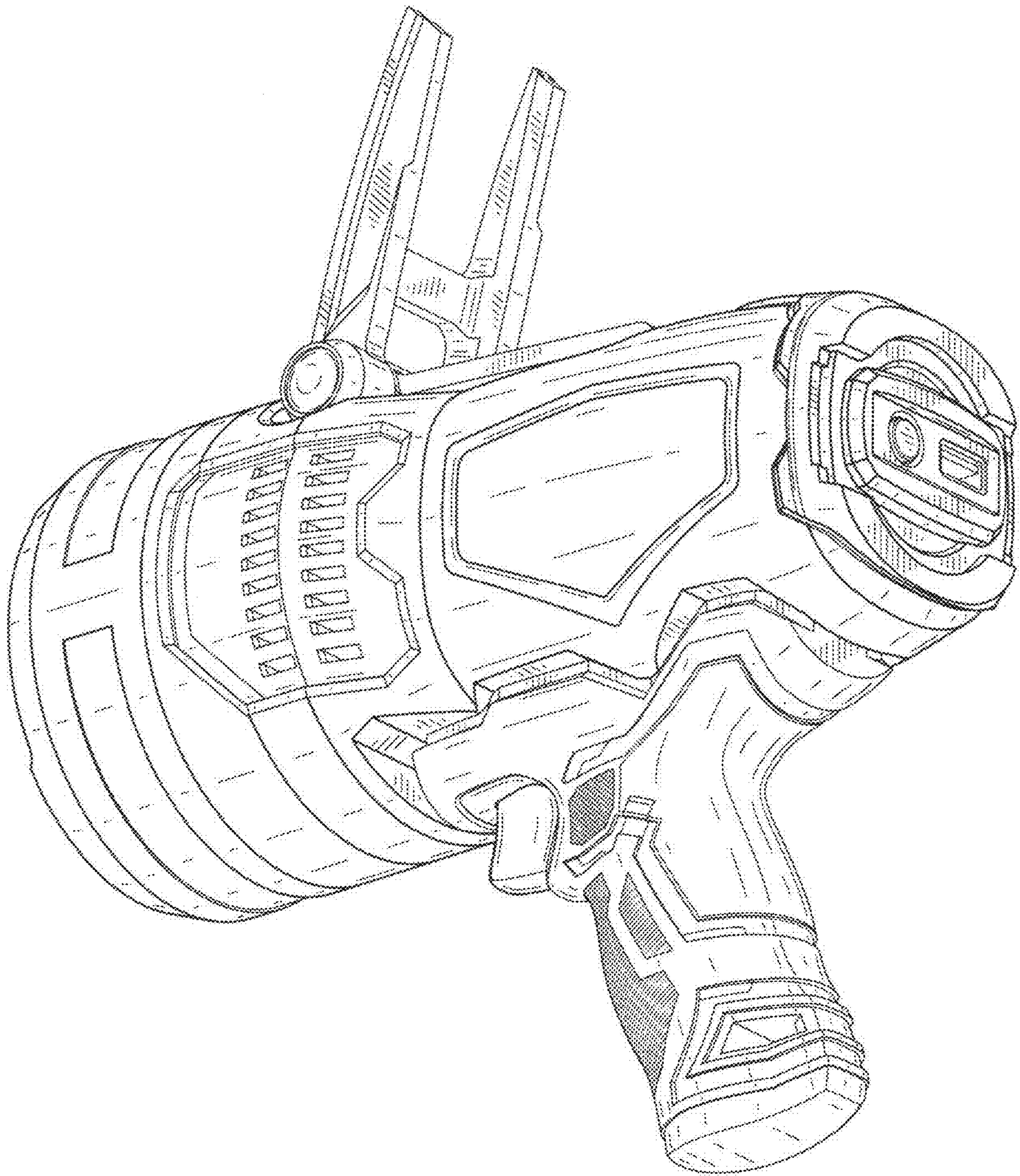


FIG. 2



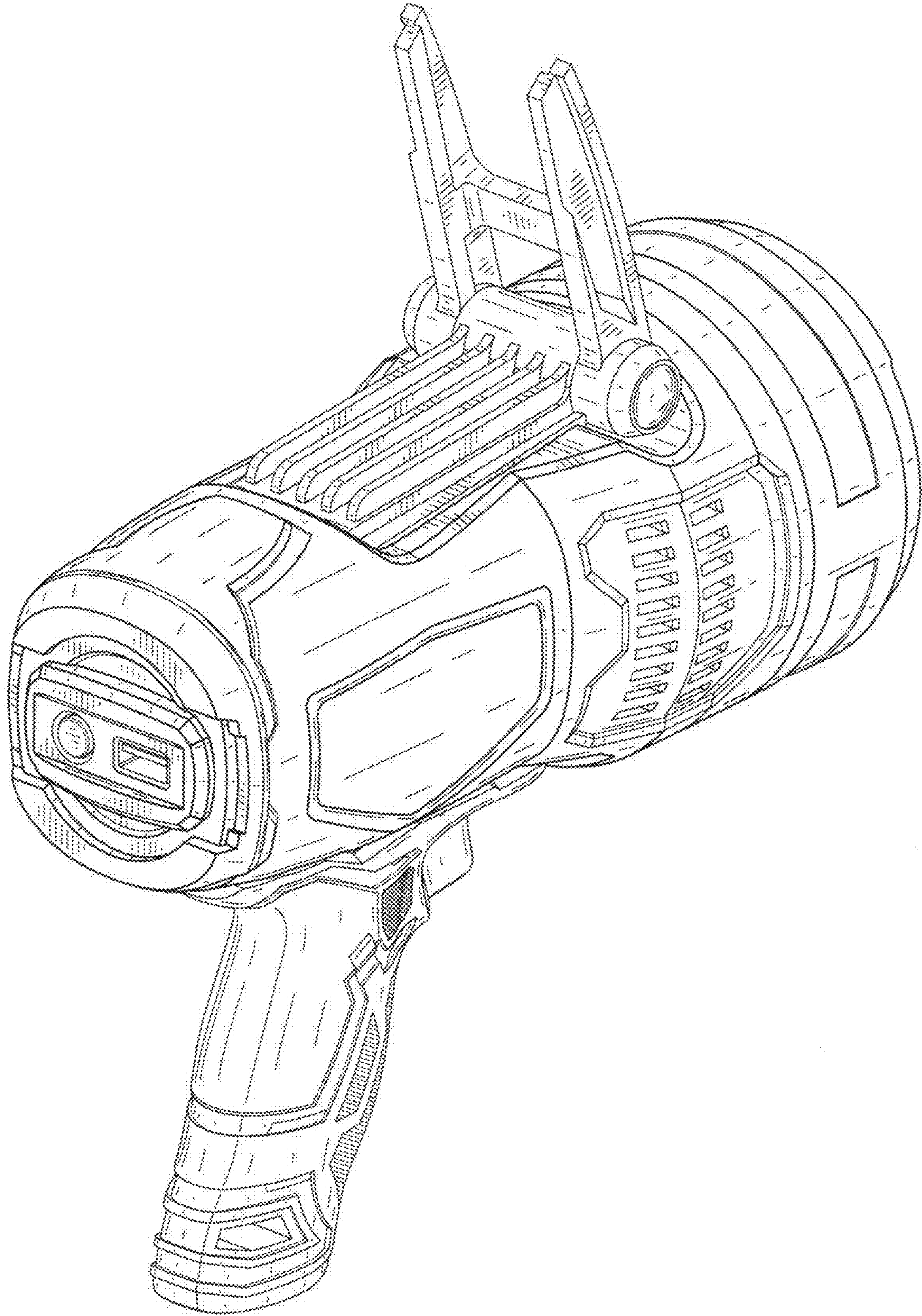


FIG. 3

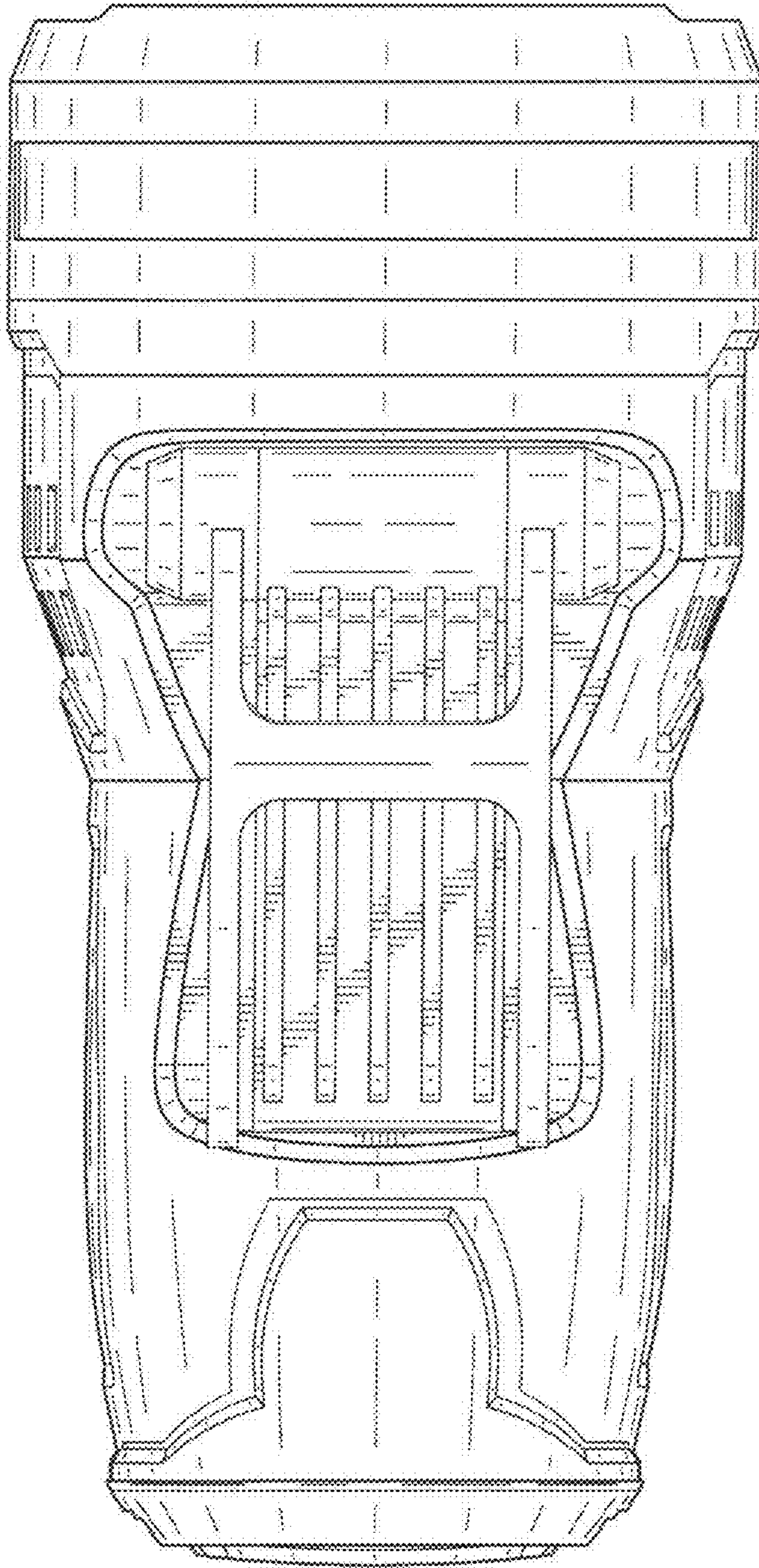


FIG. 4



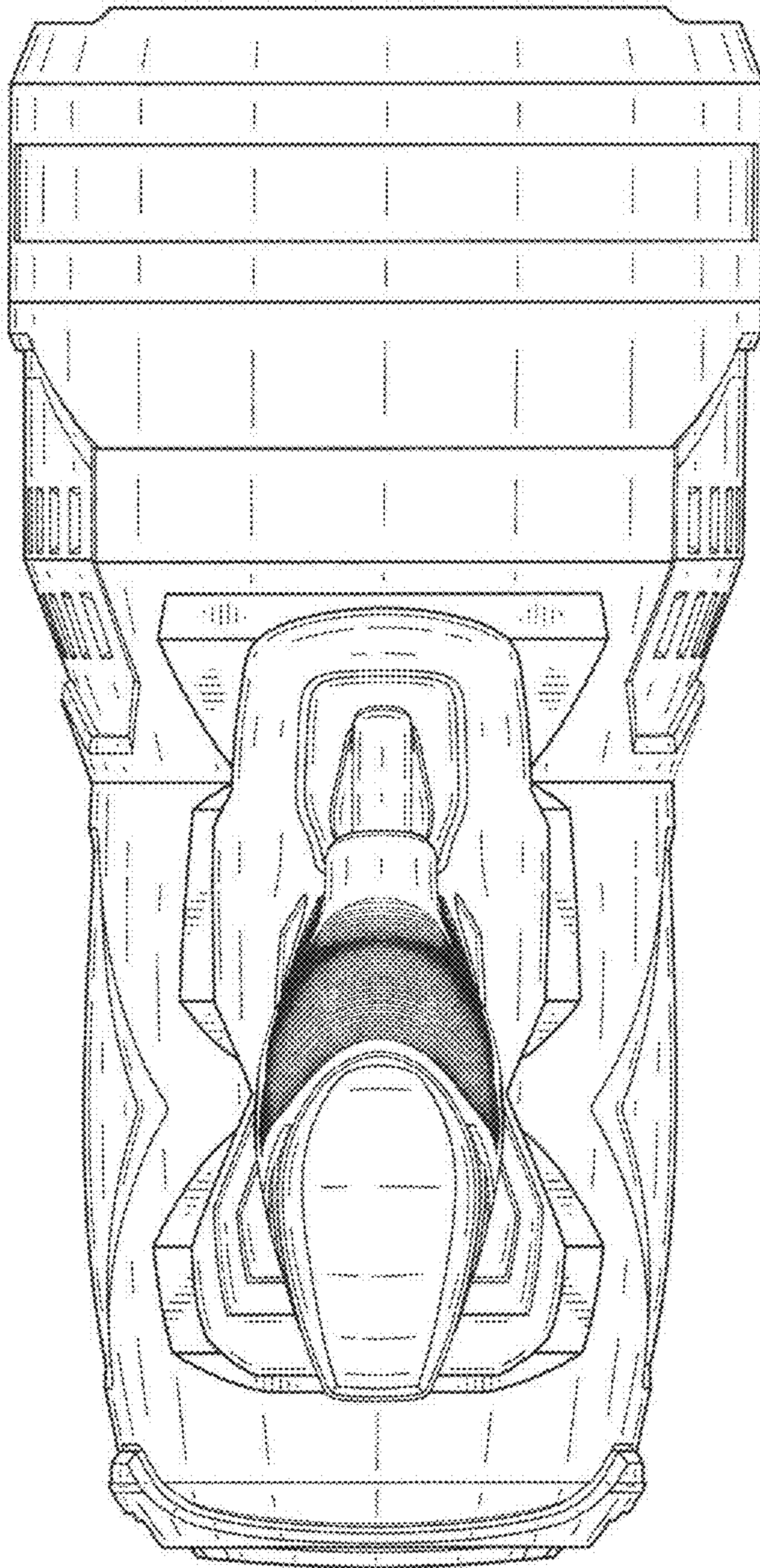


FIG. 5

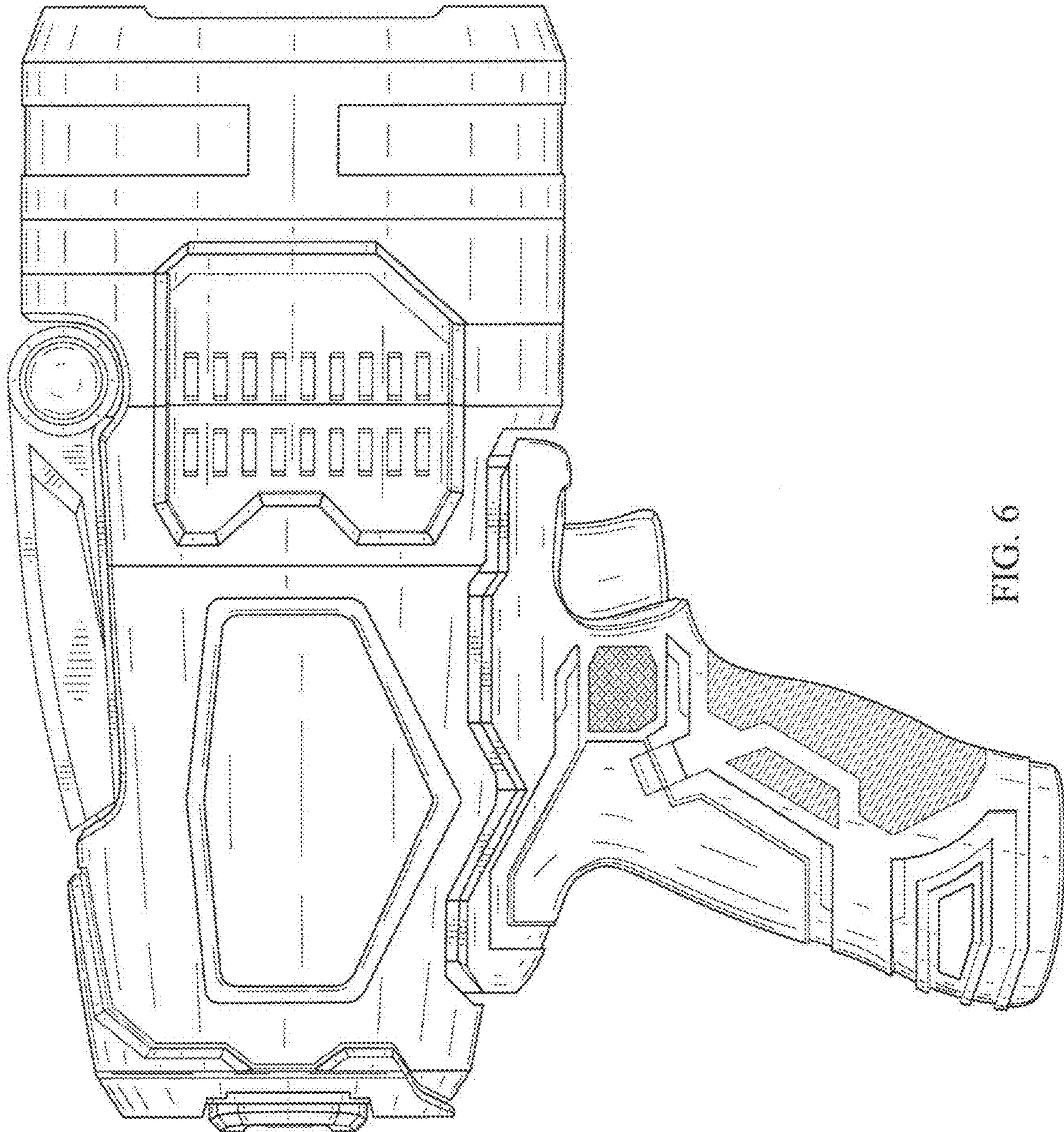


FIG. 6



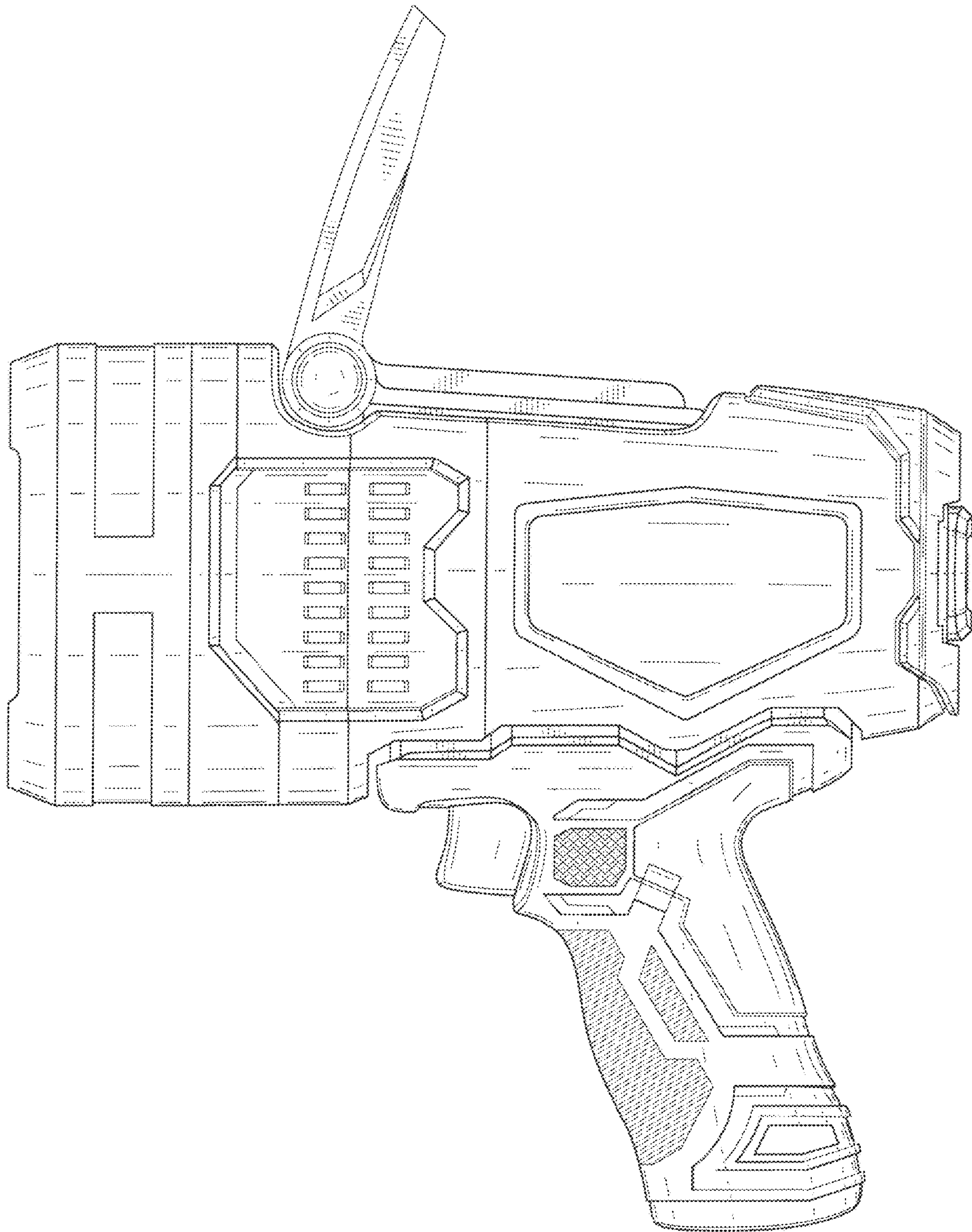


FIG. 7



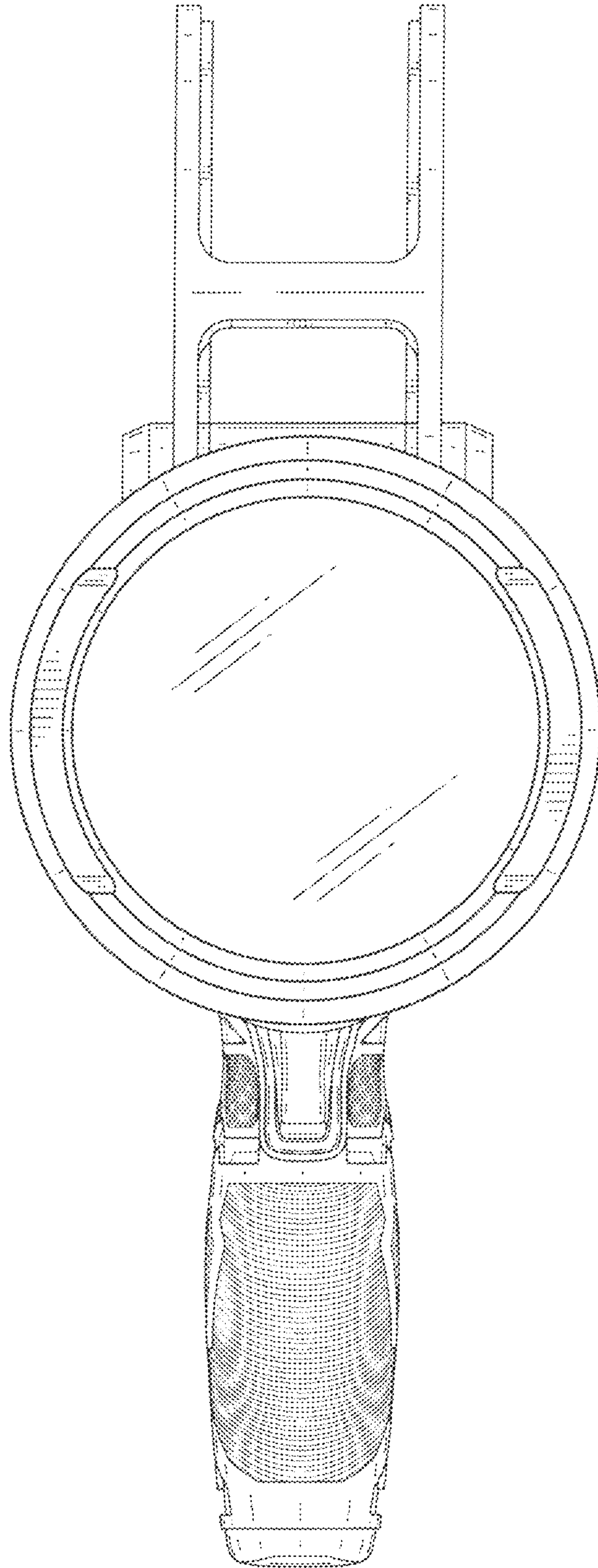


FIG. 8

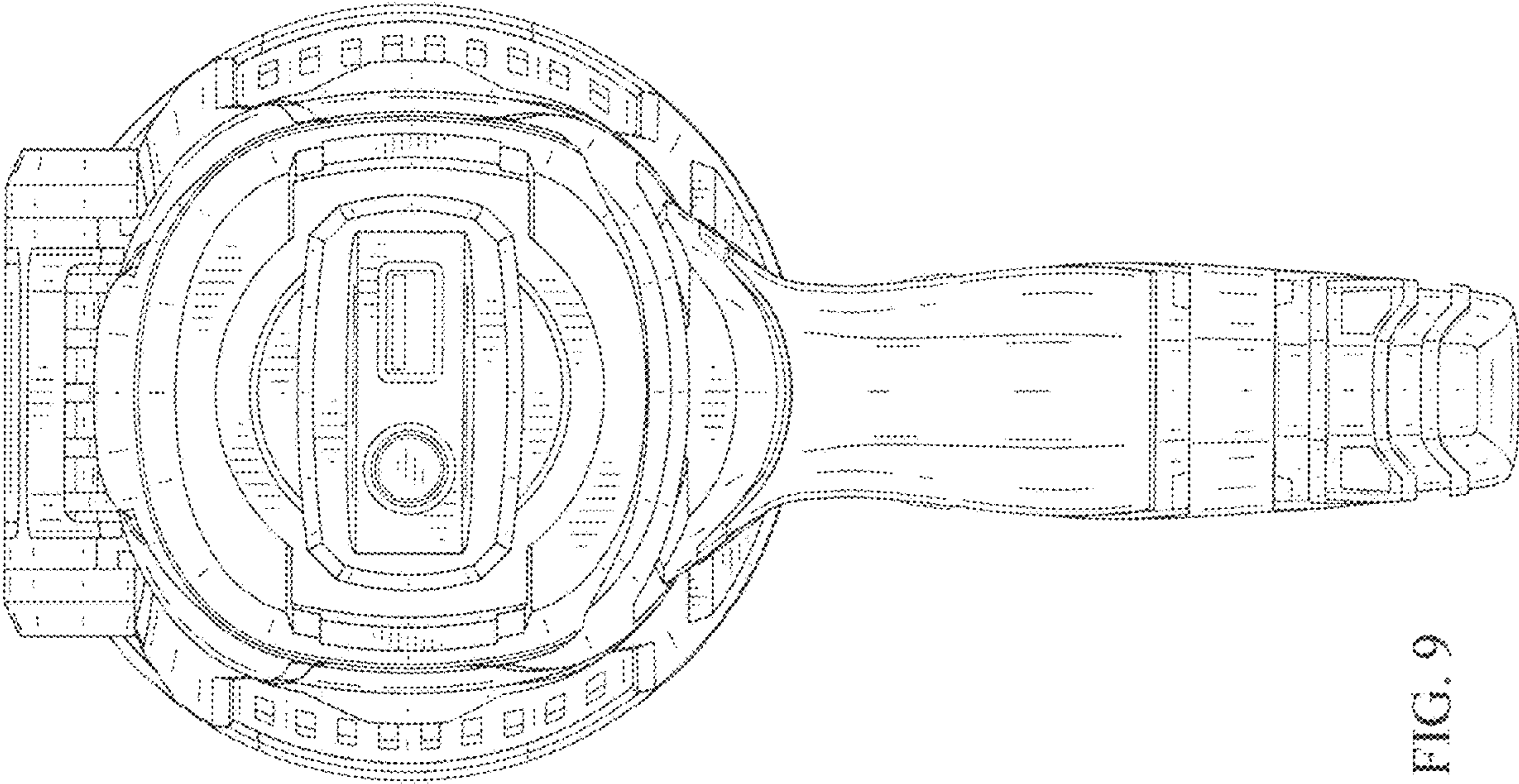


FIG. 9