



US00D897016S

(12) **United States Design Patent** (10) **Patent No.:** **US D897,016 S**
Browning (45) **Date of Patent:** **** Sep. 22, 2020**

(54) **LANTERN**
(71) Applicant: **RH US, LLC**, Corte Madera, CA (US)
(72) Inventor: **Jonathan Browning**, San Francisco, CA (US)
(73) Assignee: **RH US, LLC**, Corte Madera, CA (US)
(**) Term: **15 Years**

D705,467 S * 5/2014 Aglassinger D26/41
D770,070 S * 10/2016 Zhou D26/41
D773,704 S * 12/2016 Pardo D26/41
D783,872 S * 4/2017 Aksnes D26/41
D809,207 S * 1/2018 Hussain D28/55
D809,690 S * 2/2018 Marshall D26/41
D823,507 S * 7/2018 Pontano D26/40
D844,203 S * 3/2019 Ma D26/41
D844,871 S * 4/2019 Plott D26/40
D844,875 S * 4/2019 Jeon D26/51
D857,959 S * 8/2019 Yu D26/41

* cited by examiner

(21) Appl. No.: **29/630,913**
(22) Filed: **Dec. 22, 2017**
(51) **LOC (12) Cl.** **26-02**
(52) **U.S. Cl.**
USPC **D26/40**
(58) **Field of Classification Search**
USPC D26/37-51
CPC F21L 2003/00; F21L 4/005; F21L 4/02;
F21L 4/025; F21L 4/027; F21L 4/04;
F21L 4/08; F21L 2005/00; F21L 7/00;
F21L 11/00; F21L 13/00; F21L 13/04;
F21L 13/08; F21L 14/02; F21L 17/00;
F21L 19/00; F21L 25/00; F21L 2/00;
F21L 4/00-4/85; F21L 15/00-15/14;
F21L 2001/00

See application file for complete search history.

(56) **References Cited**

U.S. PATENT DOCUMENTS

D545,468 S * 6/2007 Mak D26/37
D565,766 S * 4/2008 Shiu D26/40

Primary Examiner — Lakiya G Rogers
Assistant Examiner — Carissa C Fitts
(74) *Attorney, Agent, or Firm* — Lewis Roca Rothgerber
Christie LLP

(57) **CLAIM**

The ornamental design for a lantern, as shown and described.

DESCRIPTION

FIG. 1 is a front and right side perspective view of an exemplary lantern showing my new design;
FIG. 2 is a front elevation view thereof, the rear elevation being a mirror image;
FIG. 3 is a right side elevation view thereof, the left side being a mirror image;
FIG. 4 is a top plan view thereof; and,
FIG. 5 is a bottom plan view thereof.
The broken lines show portions of the article which form no part of the claimed design.

1 Claim, 4 Drawing Sheets

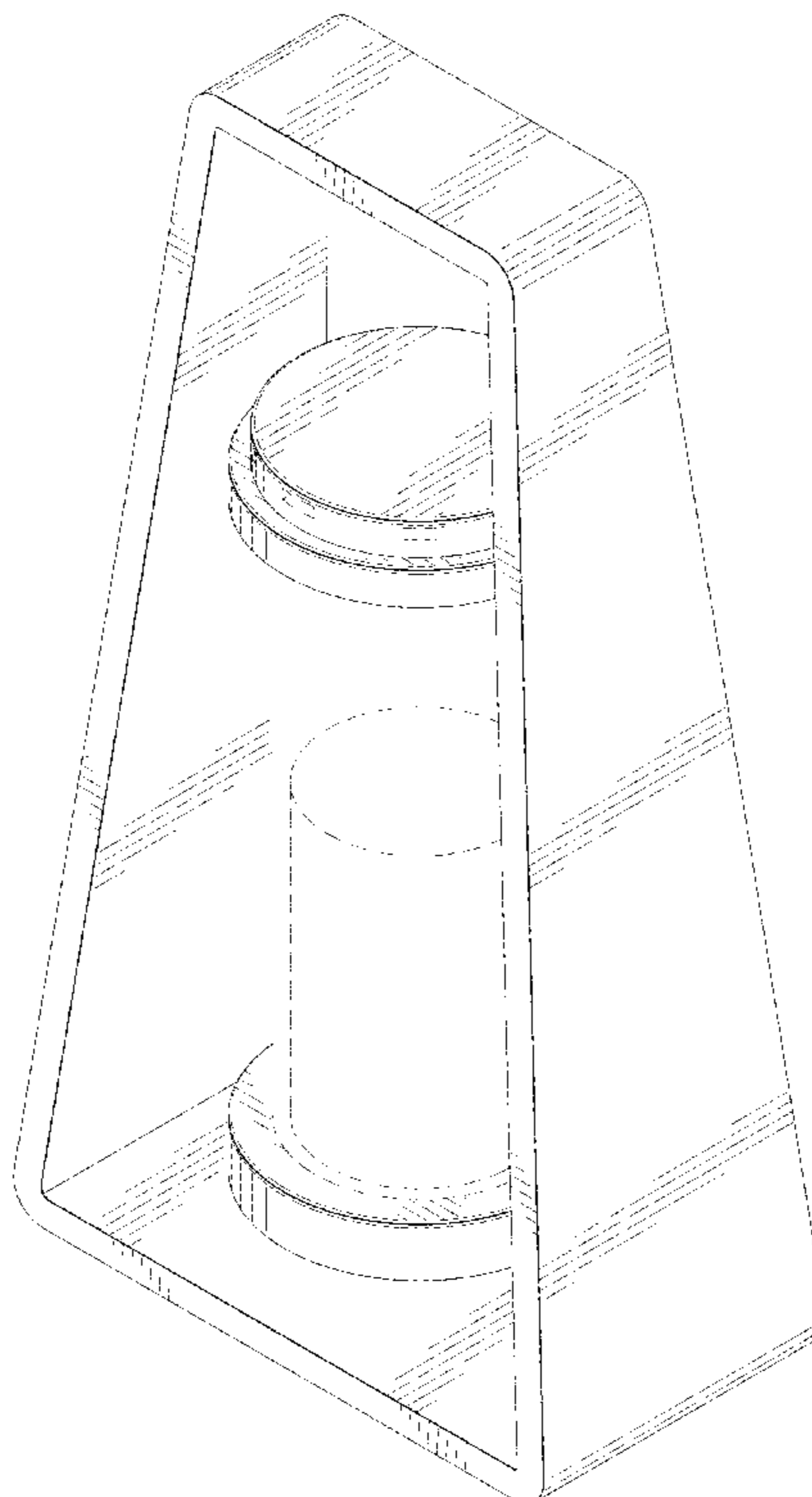


FIG. 1

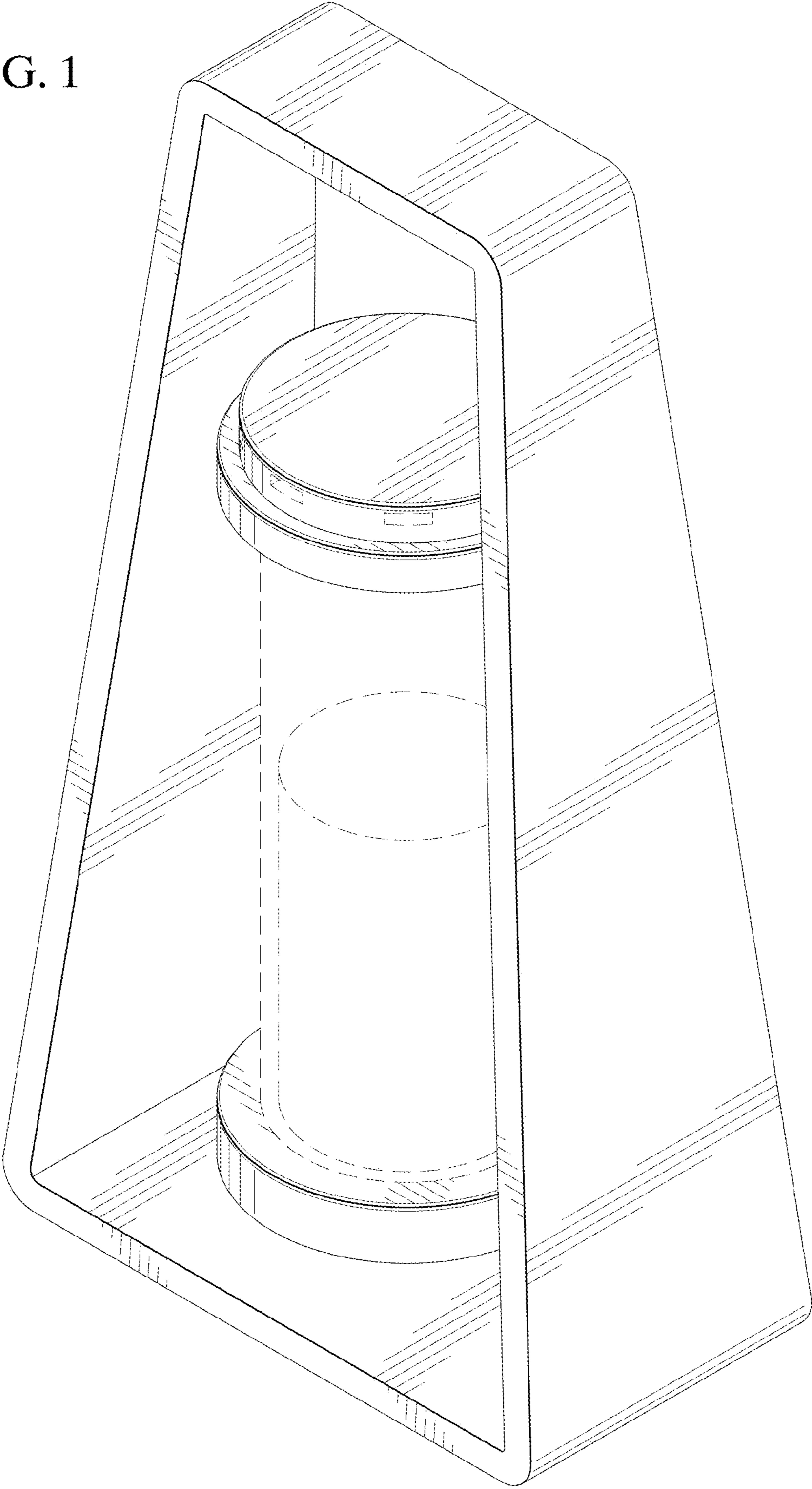


FIG. 2

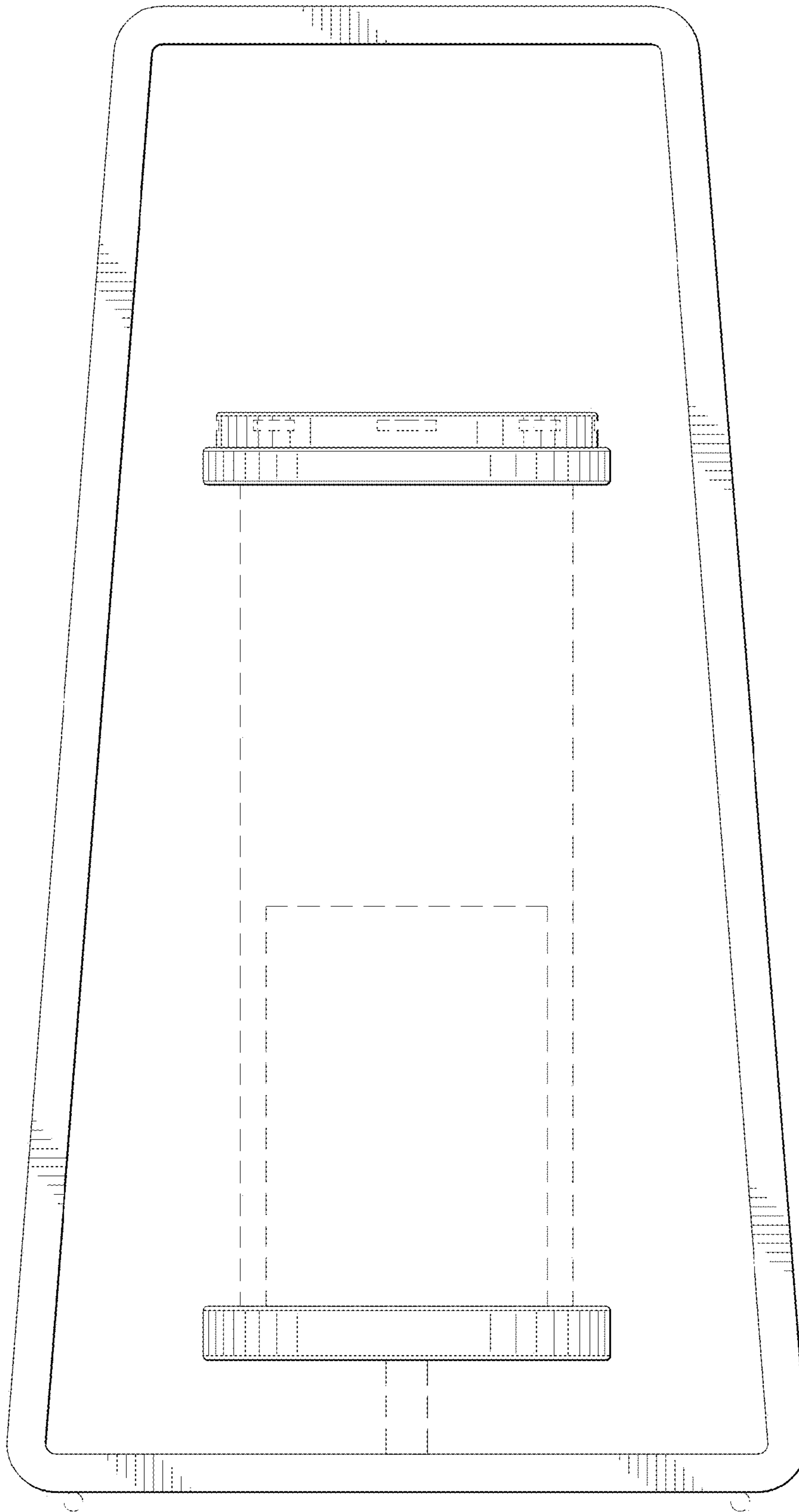


FIG. 3

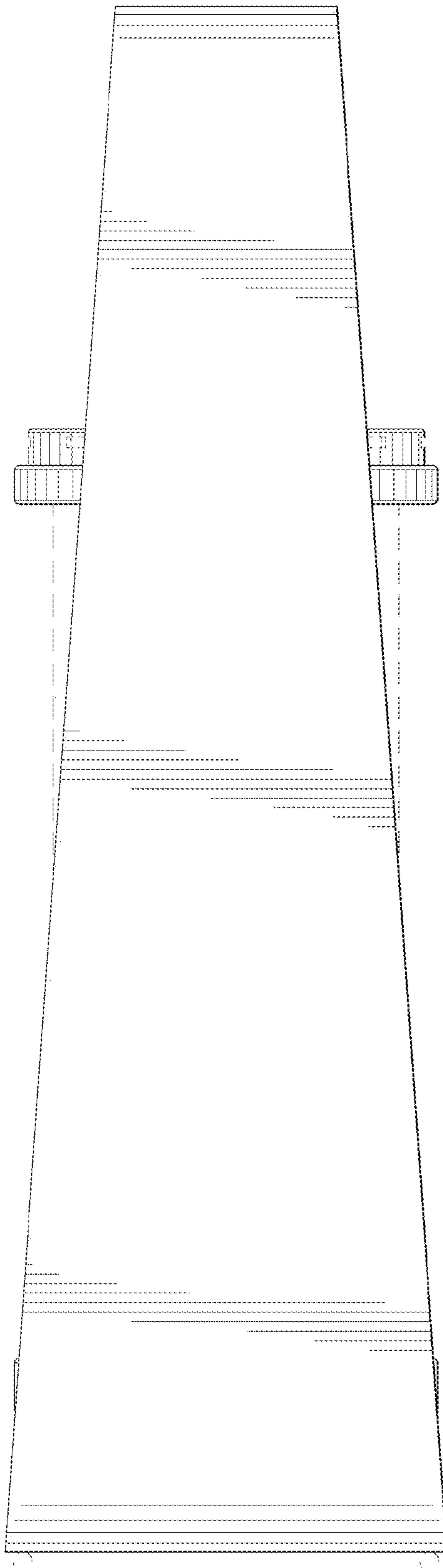


FIG. 4

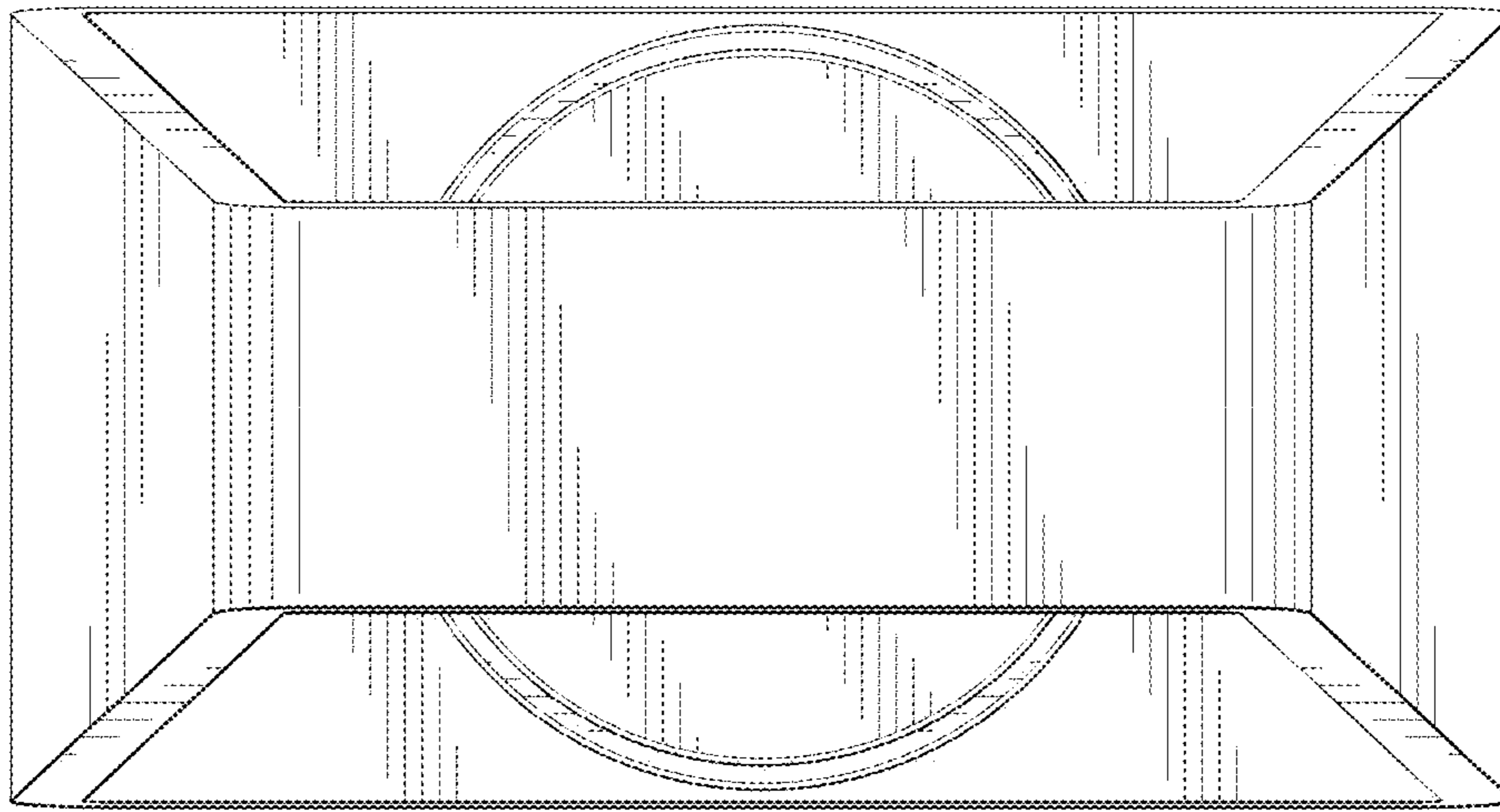


FIG. 5

