



US00D897015S

(12) **United States Design Patent**  
**Gong**

(10) **Patent No.:** **US D897,015 S**

(45) **Date of Patent:** **\*\* Sep. 22, 2020**

(54) **LED LIGHT BAR**

(71) Applicant: **ZHONGSHAN BAOMINGTONG LIGHTING TECHNICAL CO., LTD,**  
Zhongshan (CN)

(72) Inventor: **Beiwen Gong,** Lianyuan (CN)

(73) Assignee: **ZHONGSHAN BAOMINGTONG LIGHTING TECHNICAL CO., LTD,**  
Zhongshan (CN)

(\*\*) Term: **15 Years**

(21) Appl. No.: **29/706,645**

(22) Filed: **Sep. 23, 2019**

(51) **LOC (12) Cl.** ..... **26-06**

(52) **U.S. Cl.**  
USPC ..... **D26/31**

(58) **Field of Classification Search**  
USPC ..... D26/28-36, 139; D10/114.4  
CPC ..... F21S 48/00; F21S 48/10; F21S 48/115;  
F21S 48/225; F21S 48/1233; F21S  
48/1266; F21S 48/1388; F21S 48/2268;  
F21S 29/004; F21V 21/04; B60Q 9/13;  
B60Q 9/135; B60Q 9/1375

See application file for complete search history.

(56) **References Cited**

**U.S. PATENT DOCUMENTS**

D499,198 S \* 11/2004 Cowan ..... D26/31  
D526,430 S \* 8/2006 Hernandez ..... D26/31

D576,754 S \* 9/2008 Wang ..... D26/31  
D653,783 S \* 2/2012 Biro ..... D26/31  
D656,258 S \* 3/2012 Georgitsis ..... B60Q 1/18  
D26/31  
D676,990 S \* 2/2013 Adams ..... D26/31

\* cited by examiner

*Primary Examiner* — Marcus A Jackson

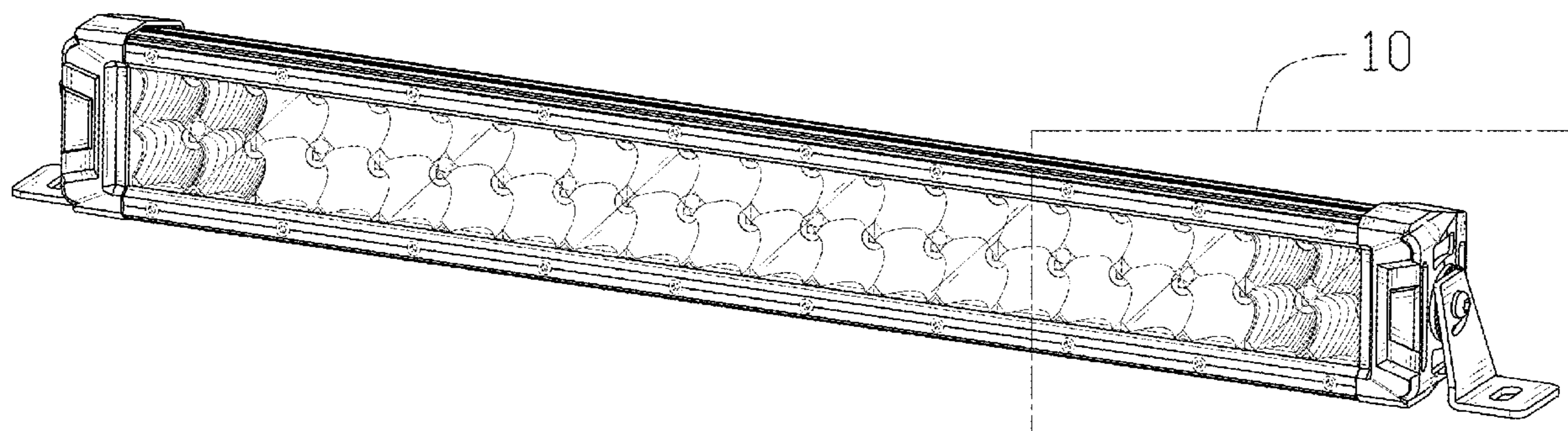
(57) **CLAIM**

The ornamental design for an LED light bar, as shown and described.

**DESCRIPTION**

FIG. 1 is a perspective view of an LED light bar showing my new design;  
FIG. 2 is another perspective view thereof;  
FIG. 3 is a front elevational view thereof;  
FIG. 4 is a rear elevational view thereof;  
FIG. 5 is a left side elevational view thereof;  
FIG. 6 is a right side elevational view thereof;  
FIG. 7 is a top plan view thereof;  
FIG. 8 is a bottom plan view thereof;  
FIG. 9 is a cross-section view taken along the line 9-9 shown in FIG. 3;  
FIG. 10 is an enlarged view of portion 10 shown in FIGS. 1; and,  
FIG. 11 is an enlarged view of portion 11 shown in FIG. 2.  
The broken lines in the drawings depict portions of the LED light bar that form no part of the claimed design.

**1 Claim, 11 Drawing Sheets**



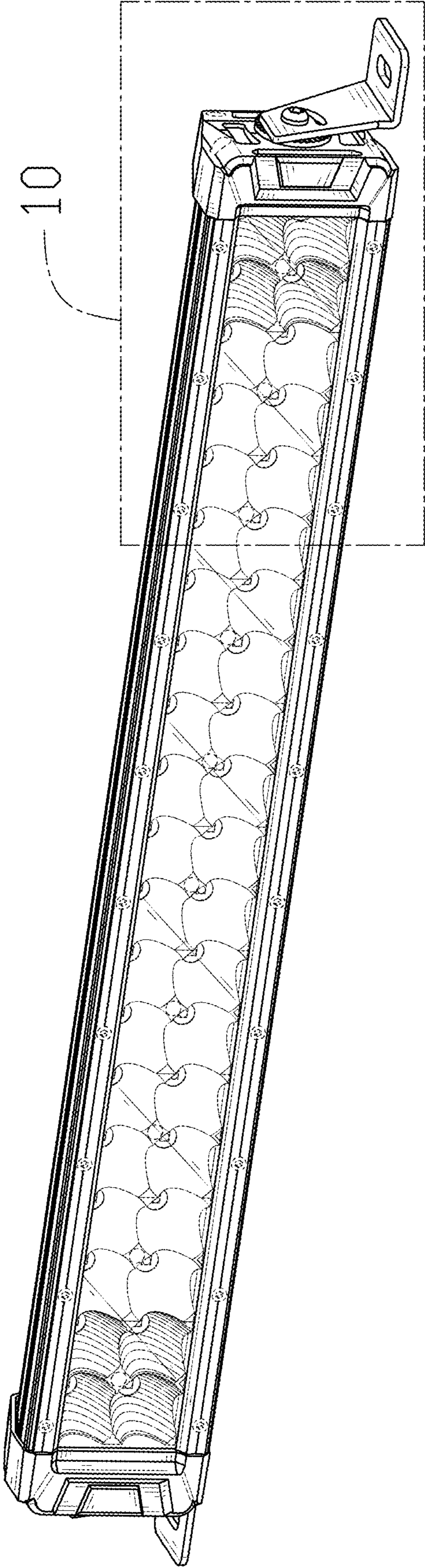


FIG. 1



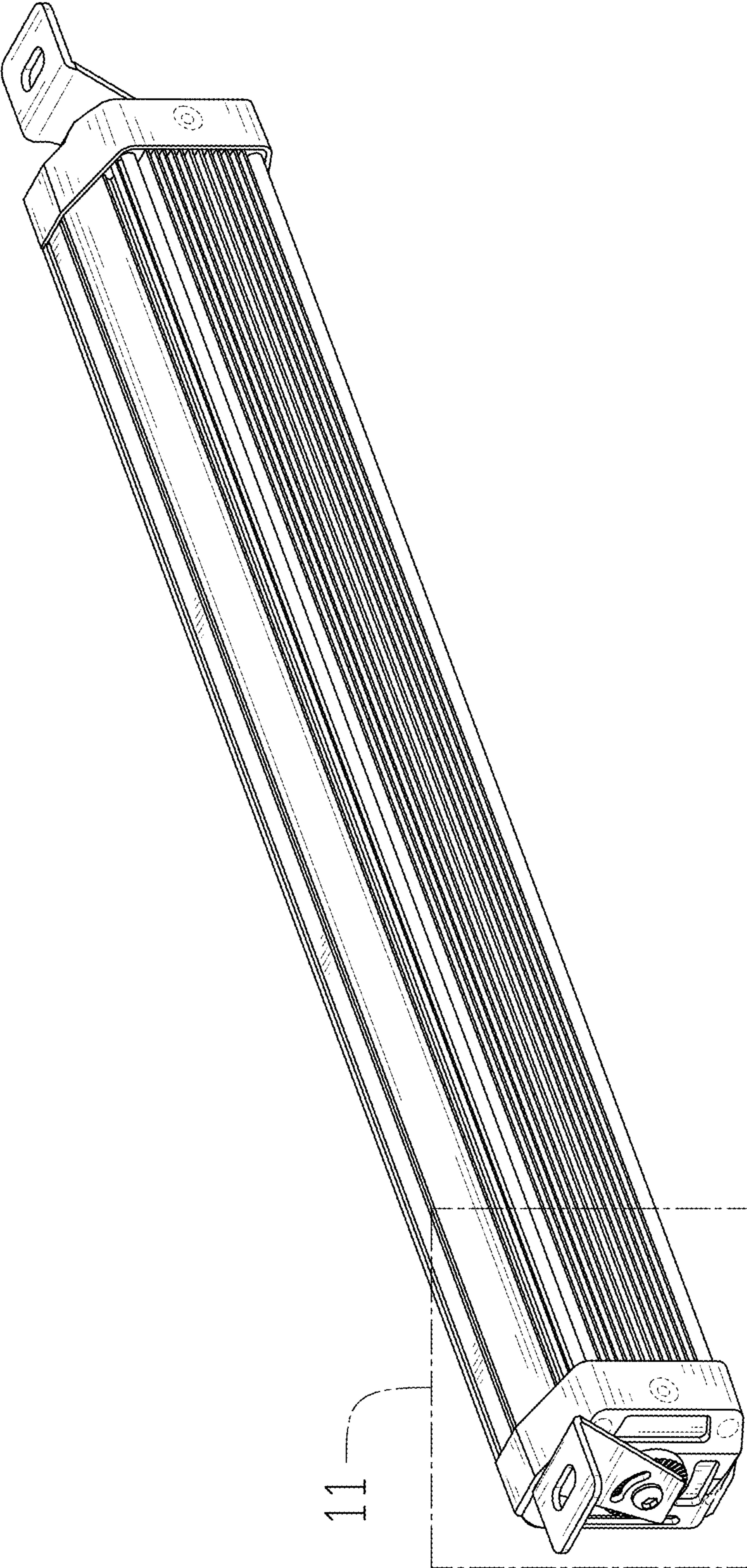


FIG. 2

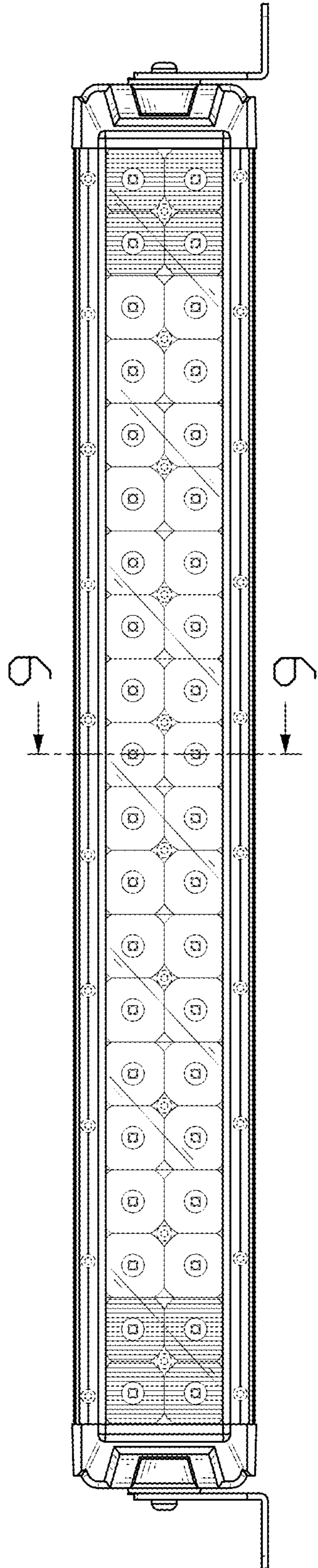


FIG. 3

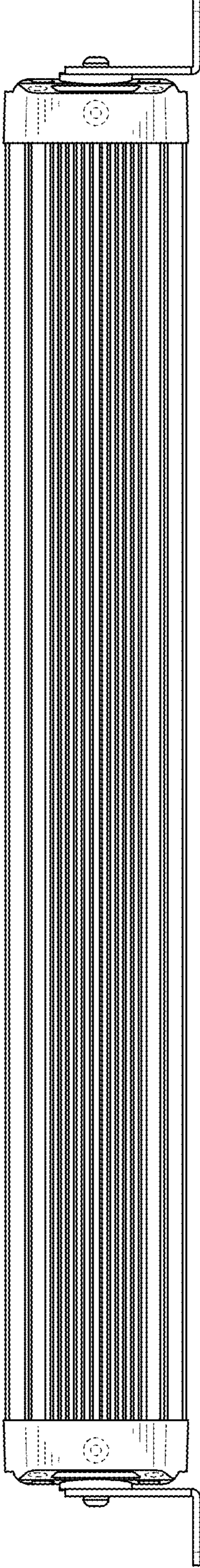


FIG. 4

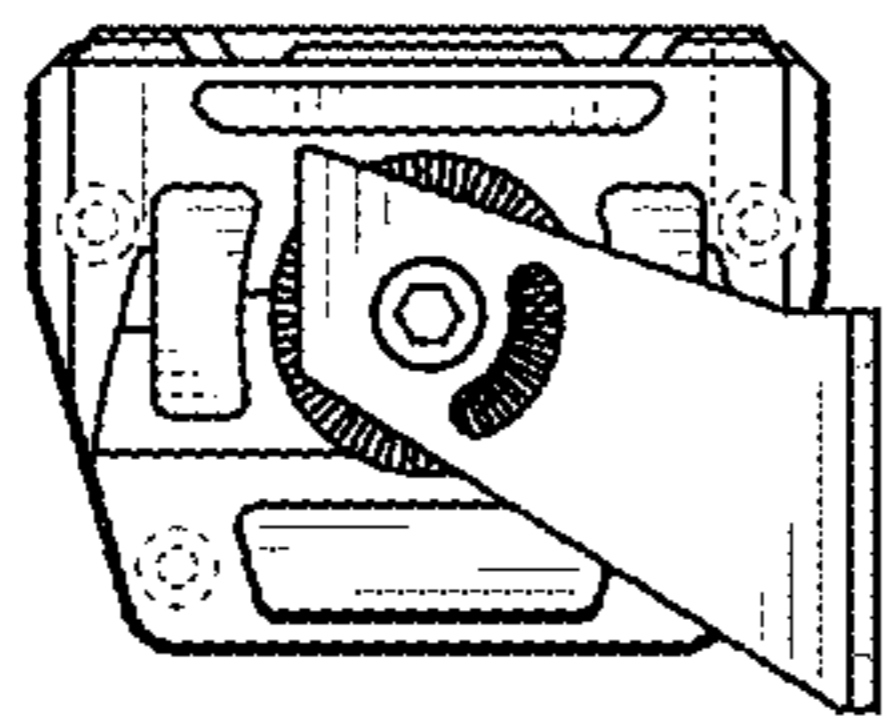


FIG. 5

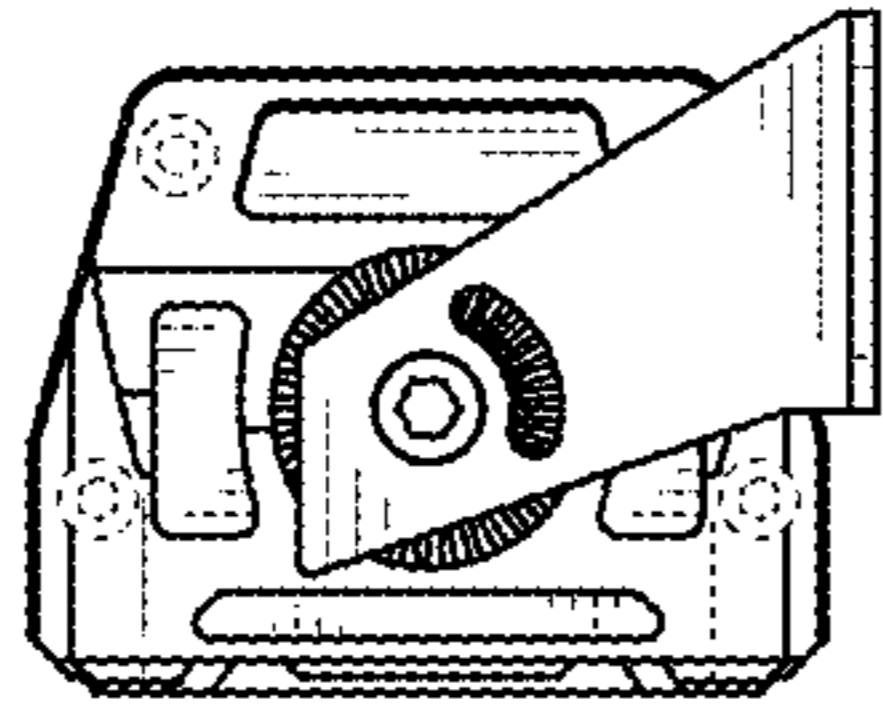


FIG. 6



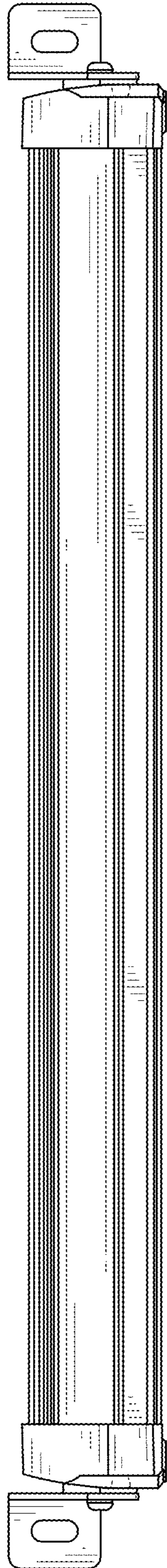


FIG. 7



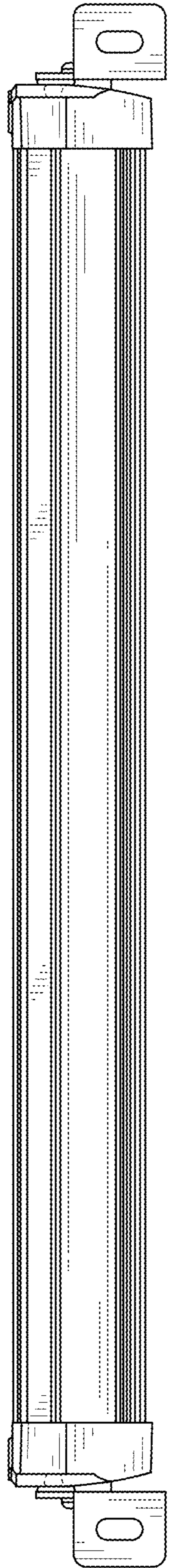


FIG. 8

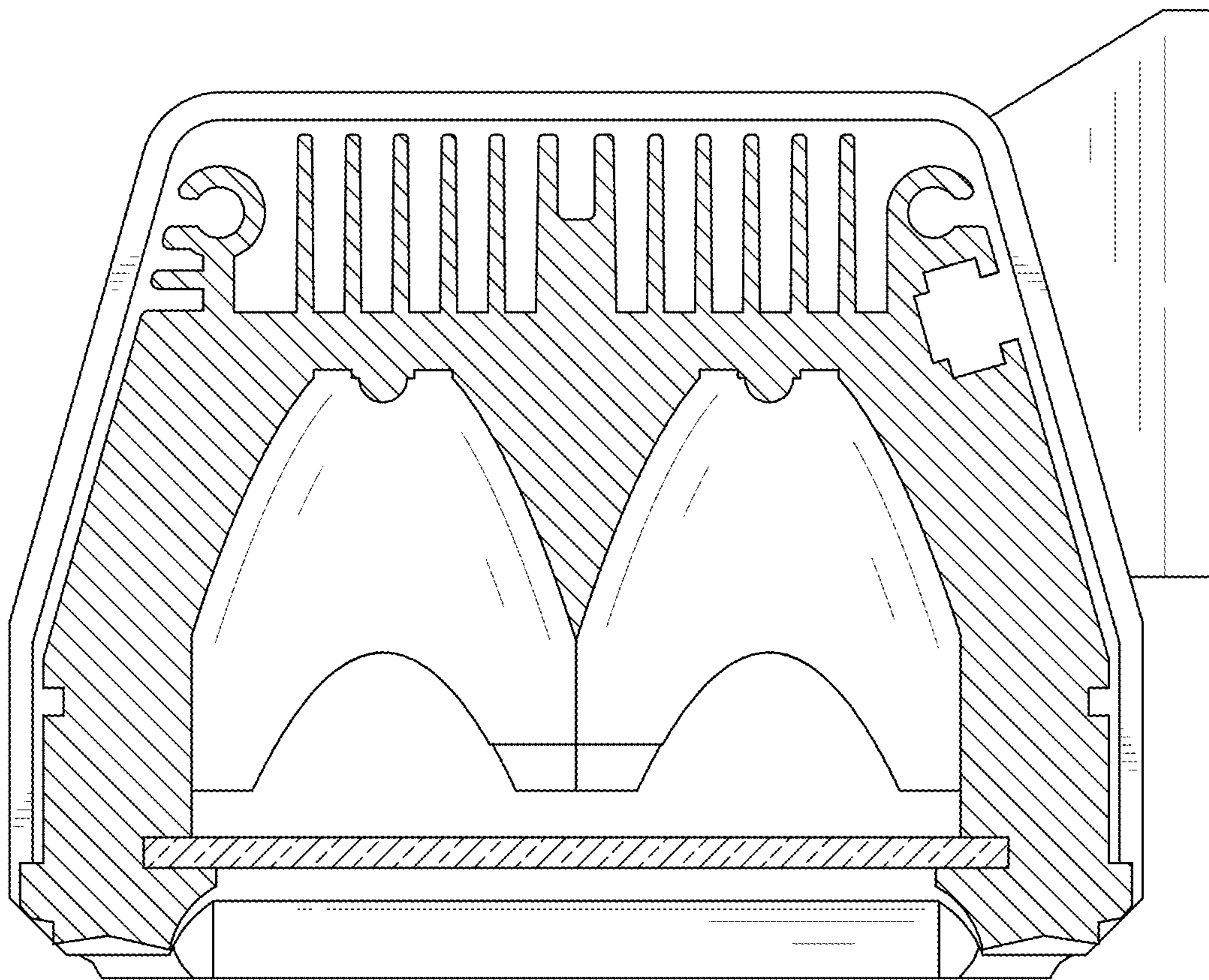


FIG. 9

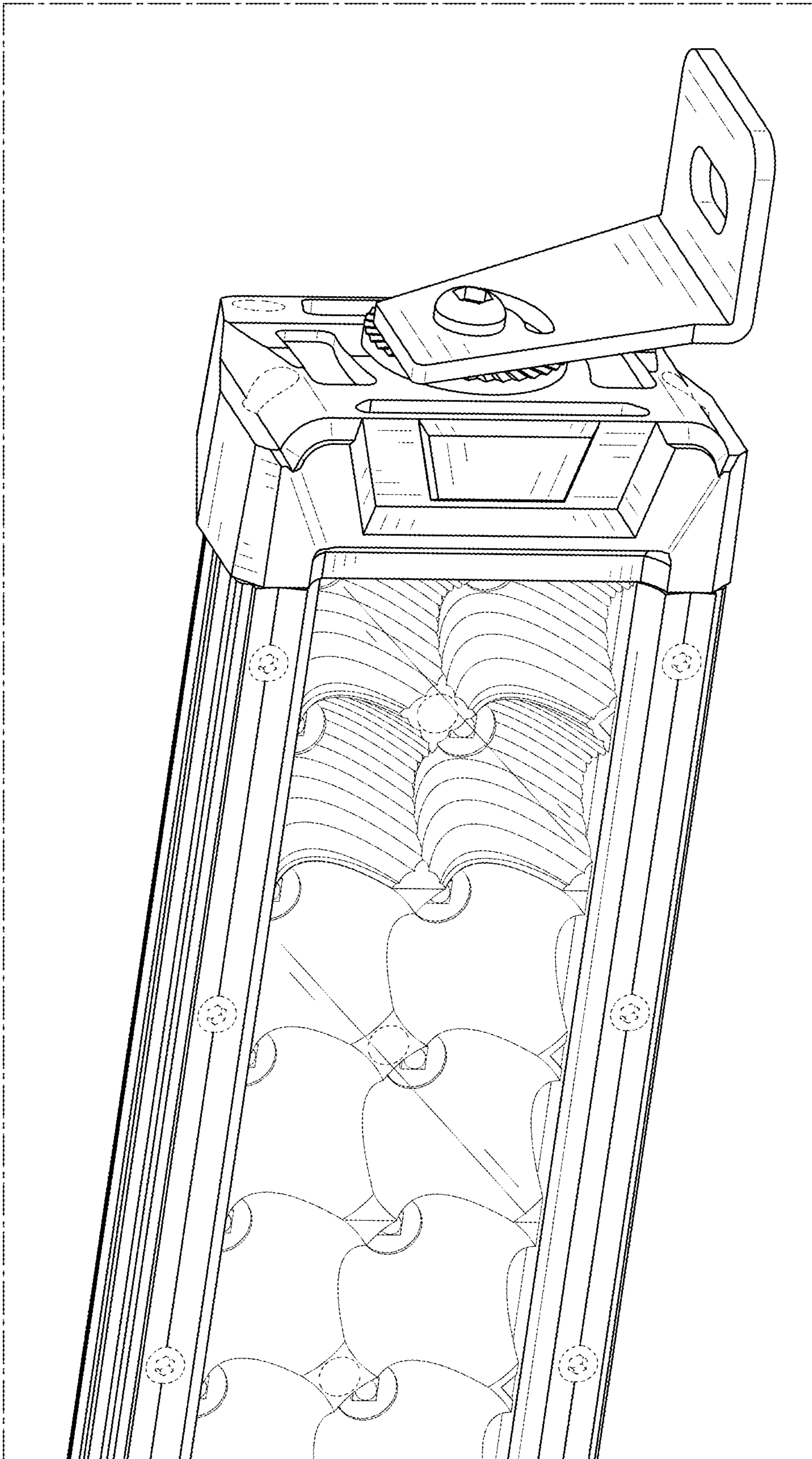


FIG. 10



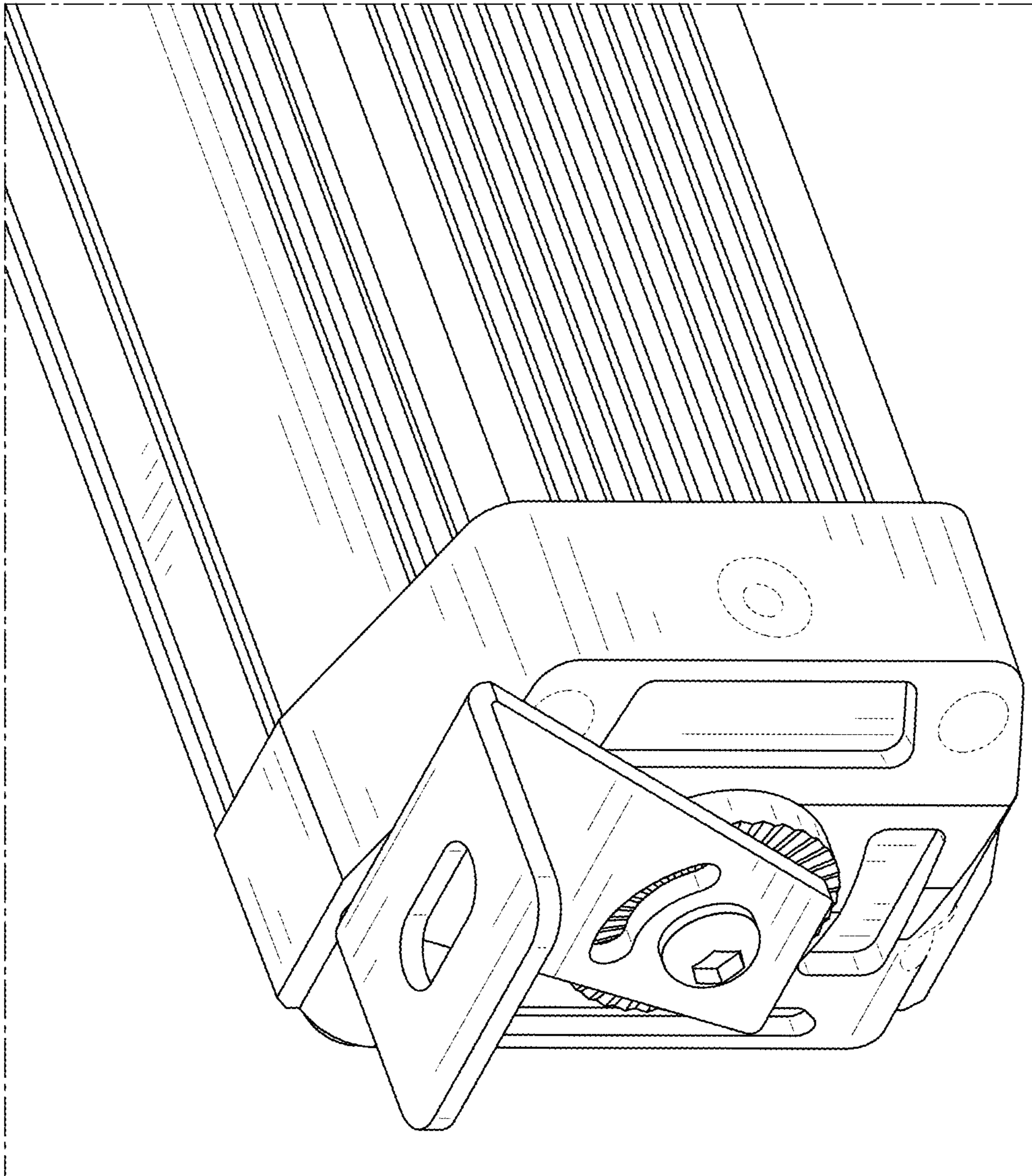


FIG. 11