



US00D897012S

(12) **United States Design Patent** (10) **Patent No.:** **US D897,012 S**
Chen (45) **Date of Patent:** **** Sep. 22, 2020**

(54) **VEHICLE HEADLIGHT**

(71) Applicant: **Yu Chen**, Zhejiang (CN)

(72) Inventor: **Yu Chen**, Zhejiang (CN)

(**) Term: **15 Years**

(21) Appl. No.: **29/706,646**

(22) Filed: **Sep. 23, 2019**

(51) **LOC (12) Cl.** **26-06**

(52) **U.S. Cl.**
USPC **D26/28**

(58) **Field of Classification Search**
USPC D26/28-36, 139
CPC F21S 48/00; F21S 48/10; F21S 48/115;
F21S 48/225; F21S 48/1233; F21S
48/1266; F21S 48/1388; F21S 48/2268;
F21V 21/04; F21V 29/004; B60Q 9/13;
B60Q 9/135; B60Q 9/1375

See application file for complete search history.

(56) **References Cited**

U.S. PATENT DOCUMENTS

D551,364 S	9/2007	Hoffman	
D594,579 S	6/2009	Hoffman	
D601,727 S	* 10/2009	Huang	D26/28
D605,789 S	* 12/2009	Ko	D26/28
D617,017 S	6/2010	Grebert et al.	
D626,670 S	* 11/2010	Metzger	D26/28
D657,081 S	* 4/2012	Alisaukas	D26/28
D670,839 S	* 11/2012	Smarslik	D26/28
D694,920 S	* 12/2013	Jurgens	D26/28
D723,722 S	3/2015	Negrete	
D741,528 S	10/2015	Glover et al.	
D744,676 S	12/2015	Lai	
D747,517 S	1/2016	Lai	
D799,082 S	10/2017	Lai	
D809,166 S	1/2018	Georgitsis et al.	
D865,235 S	10/2019	Badstuebner et al.	

OTHER PUBLICATIONS

US Trademark Serial No. 86834961; Mark—VLAND Filing date: Dec. 1, 2015 Registration date: Oct. 18, 2016.

U.S. Trademark Serial No. 88196972; Mark—VLAND Filing date: Nov. 16, 2018 Registration date: Jun. 18, 2019.

U.S. Trademark Serial No. 87553862; Mark—Yuanzheng Filing date: Aug. 2, 2017 Registration date: May 28, 2019.

“For Jimmy 2018-UP Headlight” by VLAND, Found Online on [Nov. 12, 2019] <http://www.yzheng.com/uploadfile/20190817/2019081714370168669.jpg>.

“Dot 5 3/4” 5.75 inch Halo Motorcycle LED Headlight by FTRT, Published on [Oct. 1, 2019] https://images-na.ssl-images-amazon.com/images/I/619c9ZwN1WL._SL1000_.jpg.

7 Inch 4 LED Headlight with Dual DRL Color by FABTEC published on [Jul. 8, 2019] https://images-na.ssl-images-amazon.com/images/I/61DF4Qj8kbL._SL1002_.jpg.

* cited by examiner

Primary Examiner — Marcus A Jackson

(74) *Attorney, Agent, or Firm* — LegalForce RAPC Worldwide

(57) **CLAIM**

The ornamental design for a vehicle headlight, as shown and described.

DESCRIPTION

FIG. 1 is a front top left side perspective view for a vehicle headlight, showing my new design;

FIG. 2 is a rear bottom left side perspective view of FIG. 1 thereof;

FIG. 3 is a front elevational view of FIG. 1 thereof;

FIG. 4 is a rear elevational view of FIG. 1 thereof;

FIG. 5 is a left side elevational view of FIG. 1 thereof;

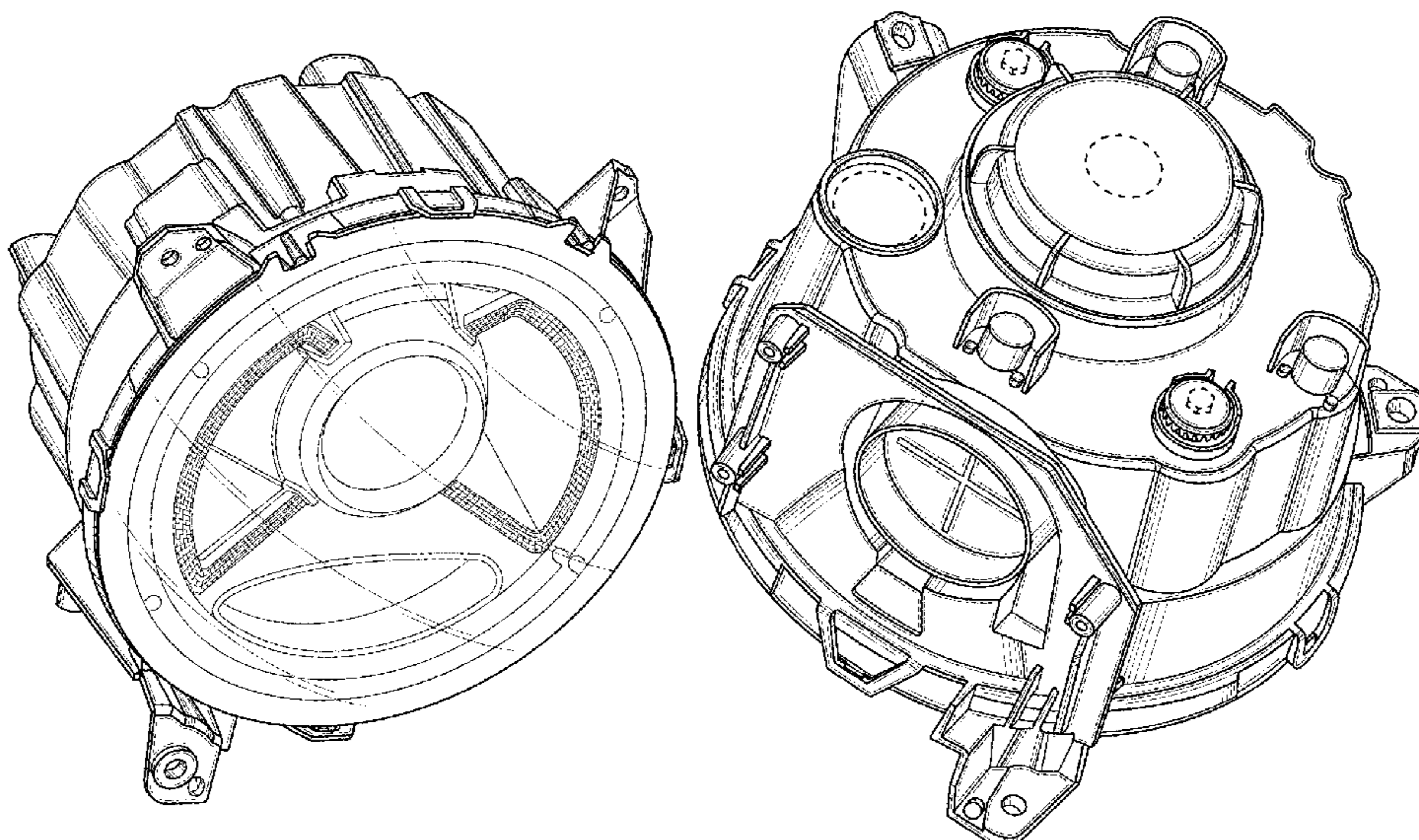
FIG. 6 is a right side elevational view of FIG. 1 thereof;

FIG. 7 is a top plan view of FIG. 1 thereof; and,

FIG. 8 is a bottom plan view of FIG. 1 thereof.

The broken lines indicate unclaimed portions of the design and form no part of the claimed design.

1 Claim, 8 Drawing Sheets



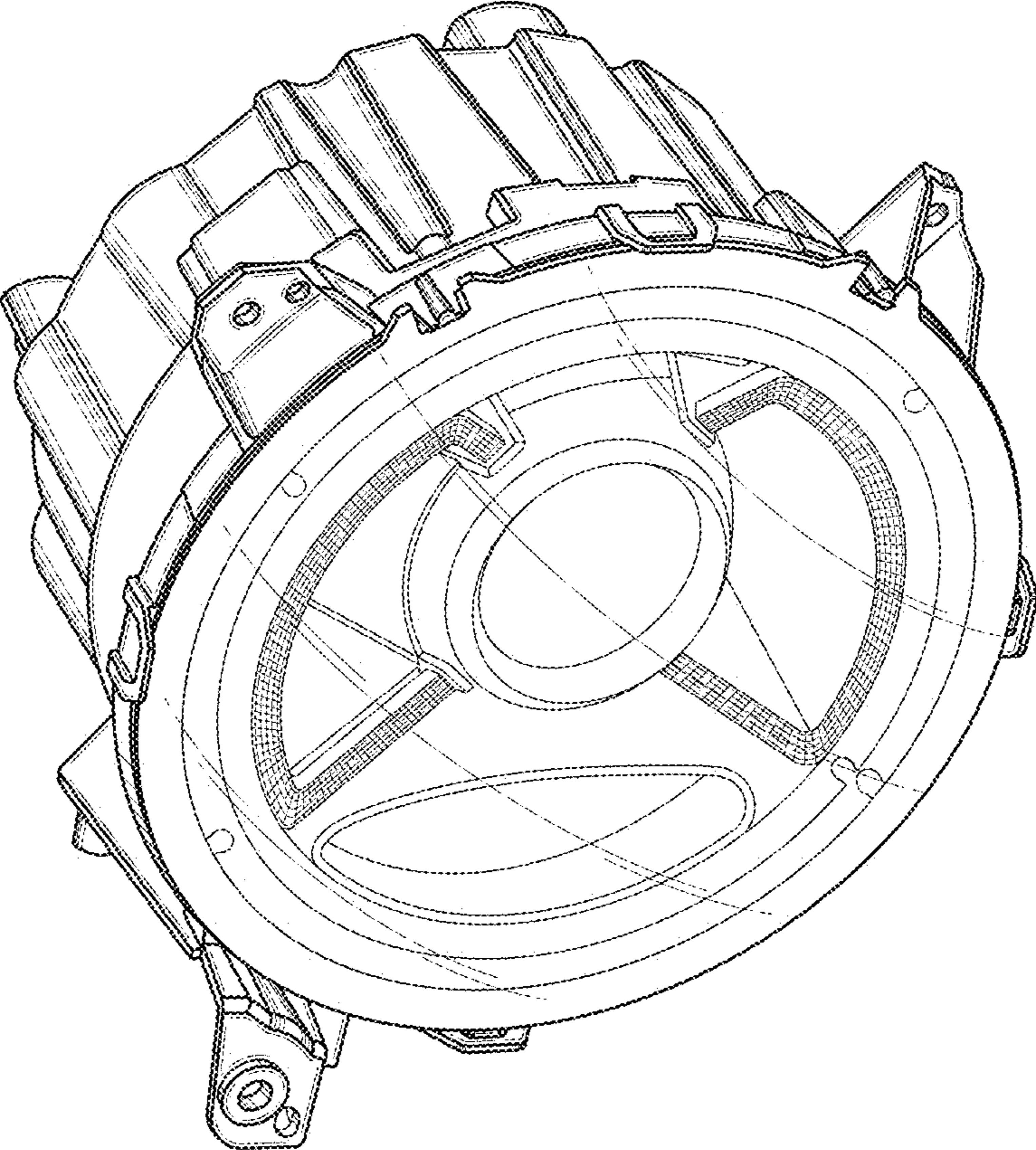


FIG. 1

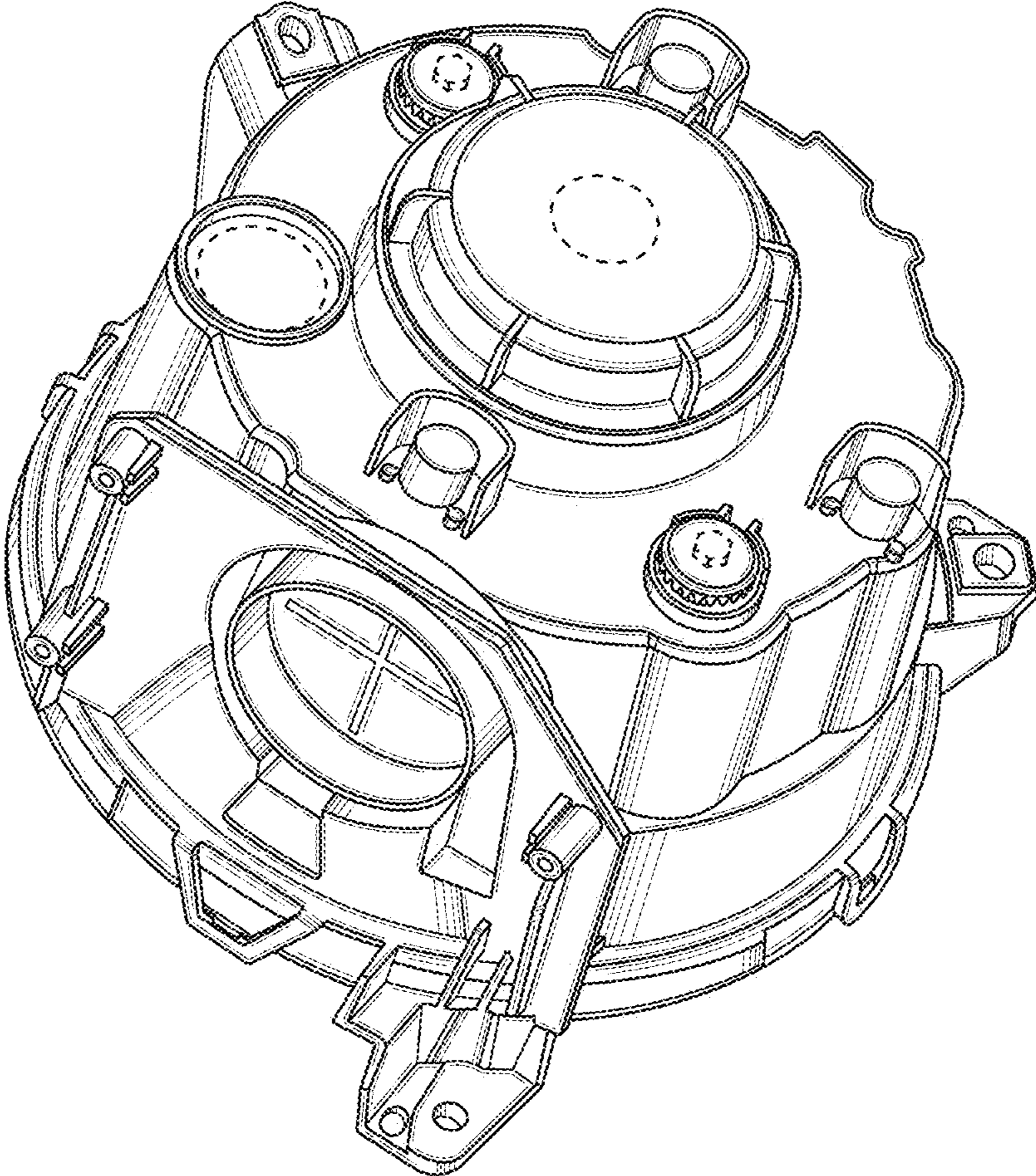


FIG. 2

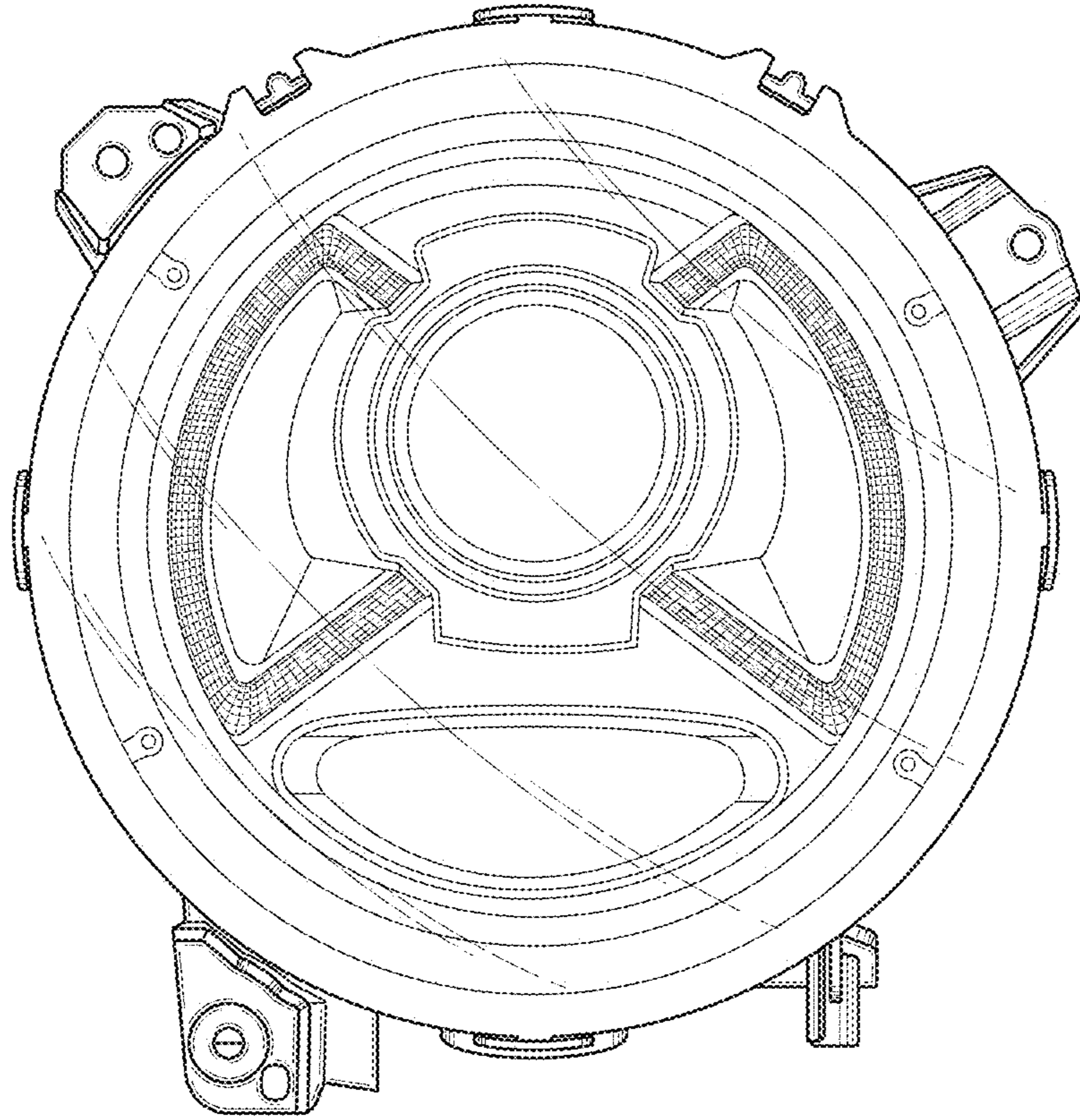


FIG. 3

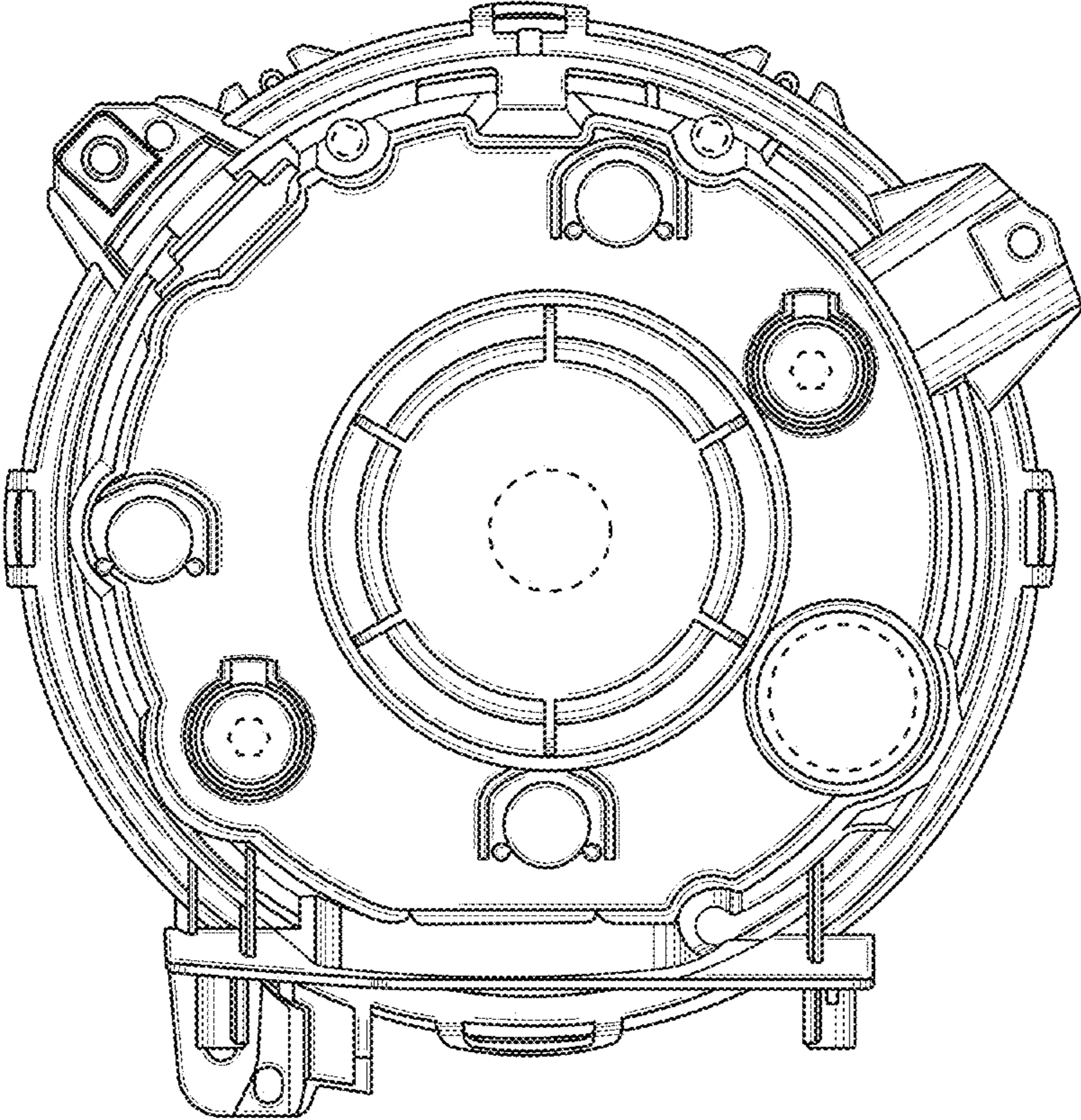


FIG. 4

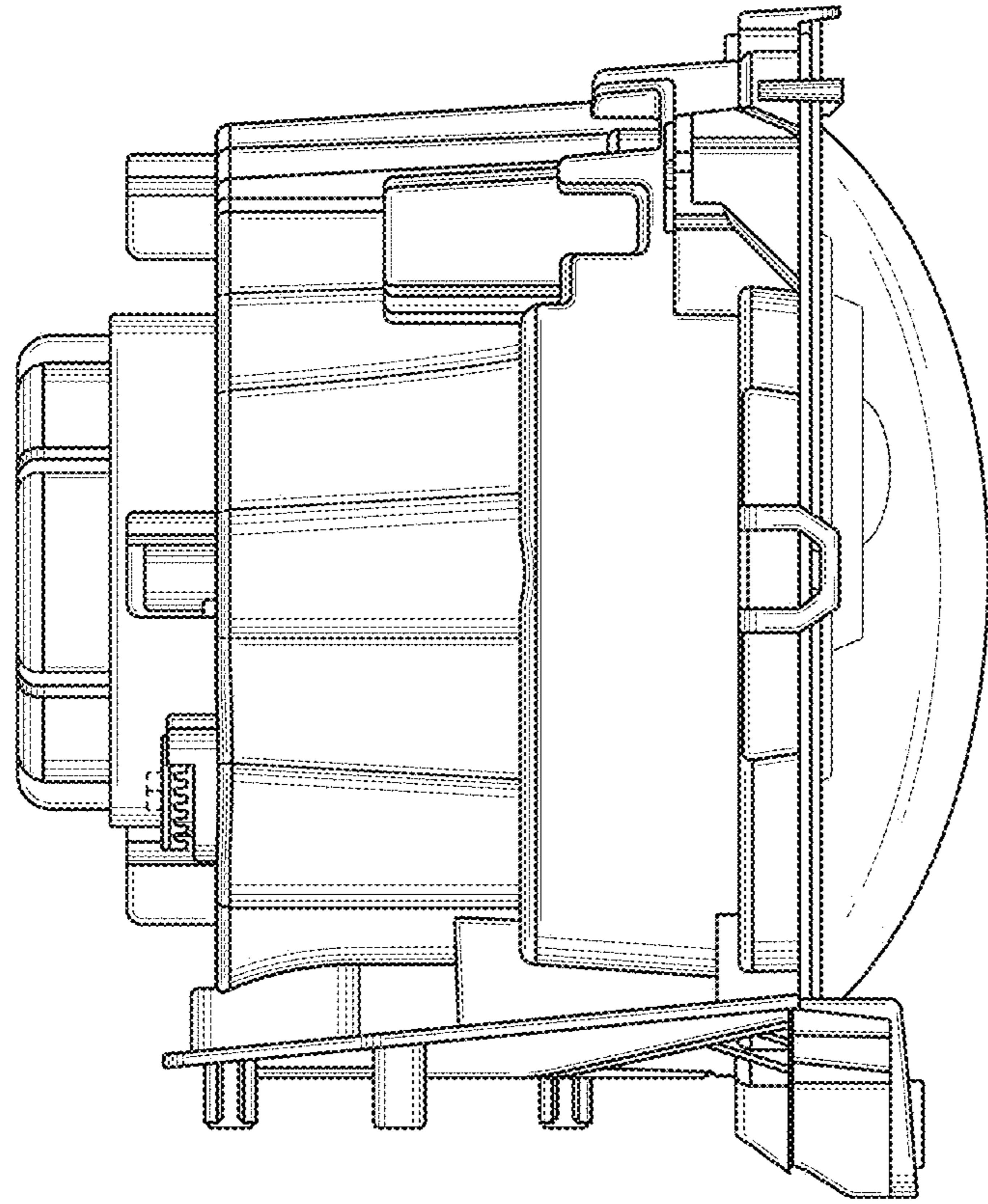


FIG. 5

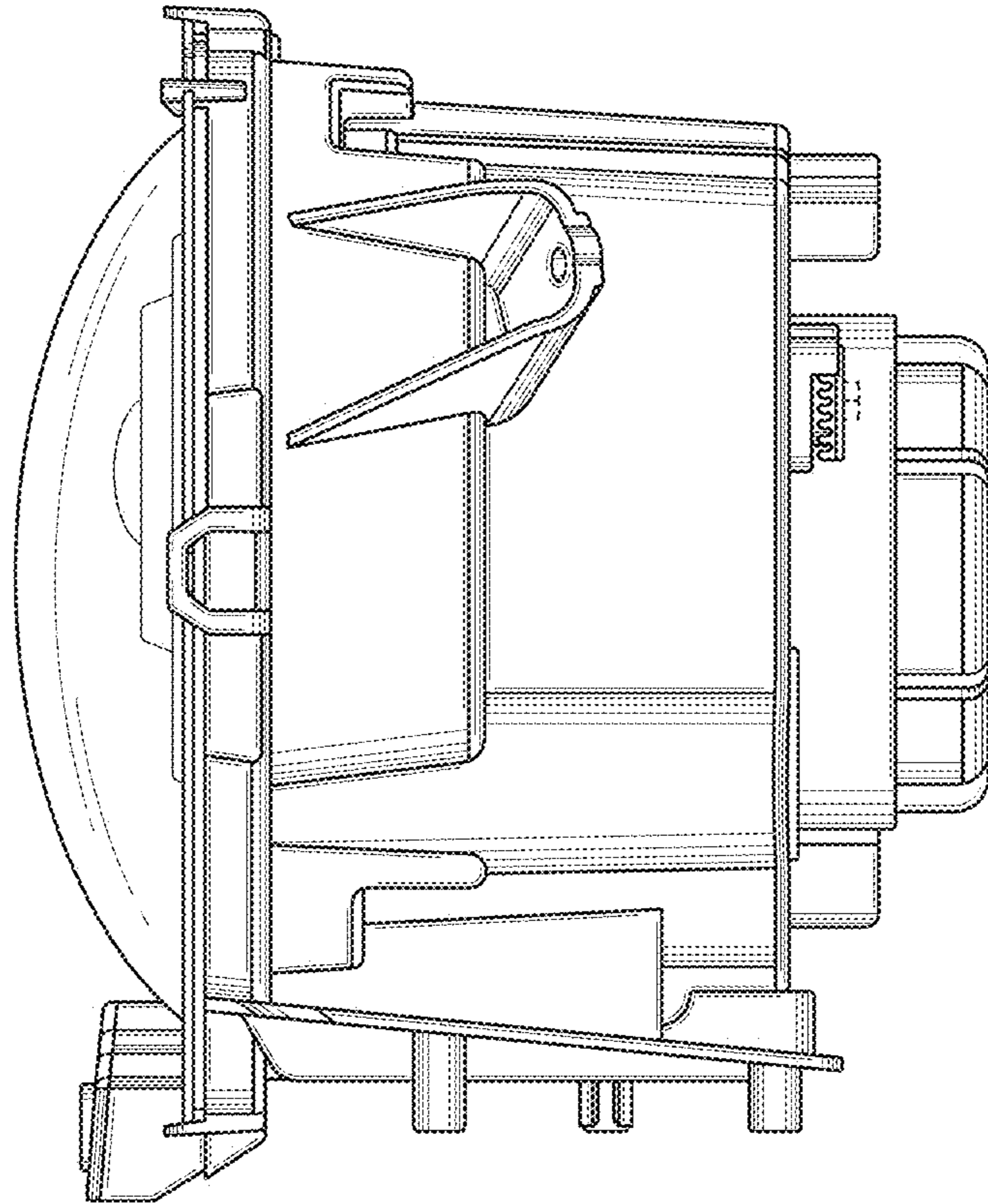


FIG. 6

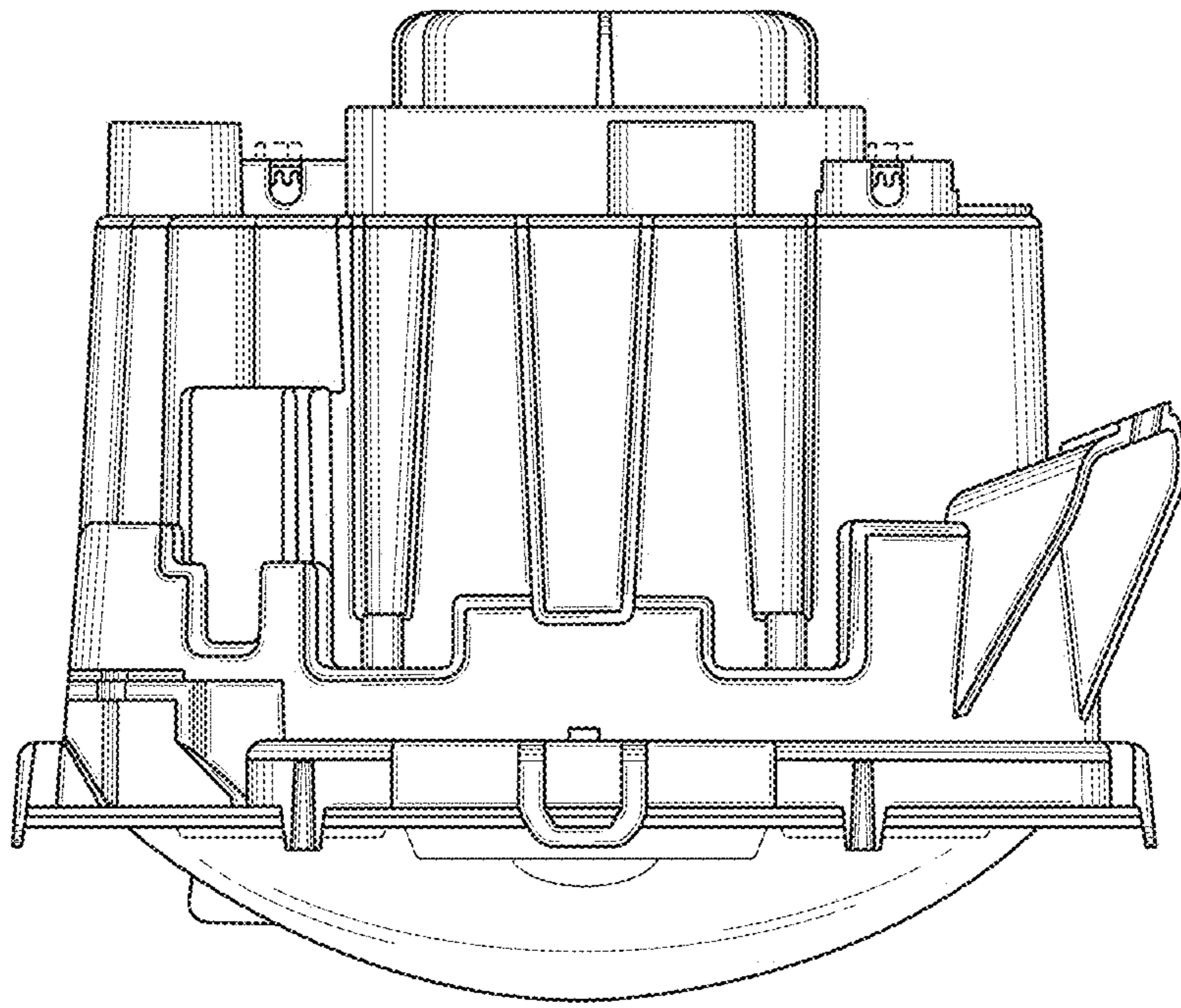


FIG. 7

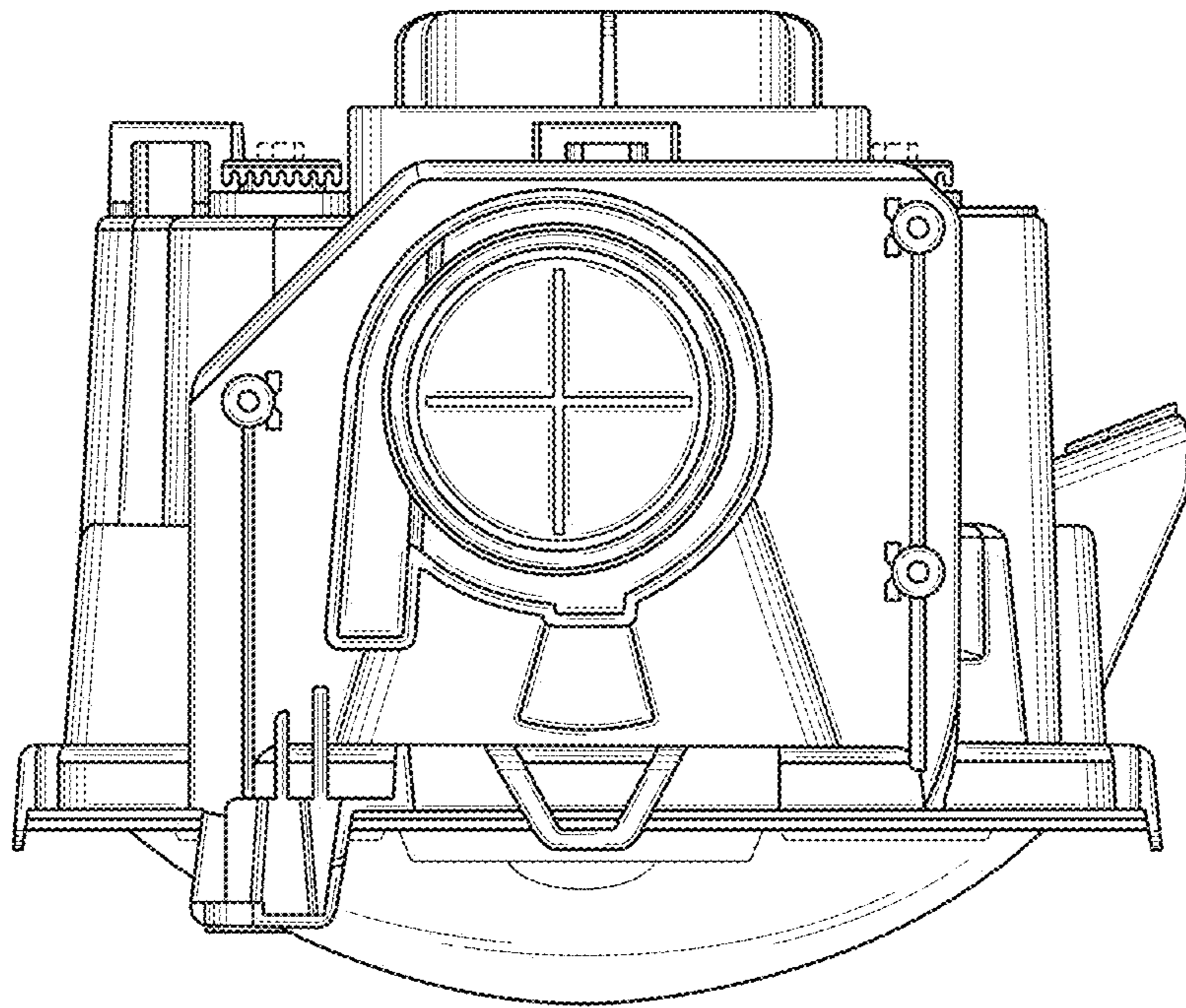


FIG. 8