



US00D897010S

(12) **United States Design Patent** (10) **Patent No.:** **US D897,010 S**
Momokawa (45) **Date of Patent:** **** Sep. 22, 2020**

(54) **HEADLIGHT FOR AN AUTOMOBILE**

(71) Applicant: **Nissan Motor Co., Ltd.**, Yokohama, Kanagawa (JP)

(72) Inventor: **Shinya Momokawa**, Kanagawa (JP)

(73) Assignee: **Nissan Motor Co., Ltd.**, Yokohama (JP)

(**) Term: **15 Years**

(21) Appl. No.: **29/696,236**

(22) Filed: **Jun. 26, 2019**

(30) **Foreign Application Priority Data**

Dec. 27, 2018 (JP) 2018-028619

(51) **LOC (12) Cl.** **26-06**

(52) **U.S. Cl.**
USPC **D26/28**

(58) **Field of Classification Search**

USPC D26/28, 29, 30, 31, 32, 33, 34, 35, 36
CPC F21S 48/00; F21S 48/10; F21S 48/115;
F21S 48/225; F21S 48/1233; F21S
48/1266; F21S 48/1388; F21S 48/2268;
F21V 21/04; F21W 2103/35; F21W 3/40;
F21W 2102/17; F21W 2102/30; F21W
2103/00; F21W 2103/55; F21W 2104/00;
F21W 2107/17; F21W 2107/13

See application file for complete search history.

(56) **References Cited**

U.S. PATENT DOCUMENTS

D684,710 S * 6/2013 Chen D26/28
D720,870 S * 1/2015 Lim D26/28
D726,941 S * 4/2015 Kato D26/28
D735,918 S * 8/2015 Kamiura D26/28
D740,976 S * 10/2015 Ko D26/28
D740,981 S * 10/2015 Hanaoka D26/28

D776,841 S * 1/2017 Kozub D26/28
D804,691 S * 12/2017 Lin D26/28
D863,624 S * 10/2019 Kawaguchi D26/28
D870,932 S * 12/2019 Lin D26/28
D870,934 S * 12/2019 Wu D26/28

(Continued)

Primary Examiner — Angela J Lee

(74) *Attorney, Agent, or Firm* — Global IP Counselors, LLP

(57) **CLAIM**

The ornamental design for a headlight for an automobile, as shown and described.

DESCRIPTION

FIG. 1 is an outside elevational view of a headlight for an automobile in accordance with a first embodiment of my new design;

FIG. 2 is an inside elevational view thereof;

FIG. 3 is a top plan view thereof;

FIG. 4 is a bottom plan view thereof;

FIG. 5 is a front side elevational view thereof;

FIG. 6 is a rear side elevational view thereof; and,

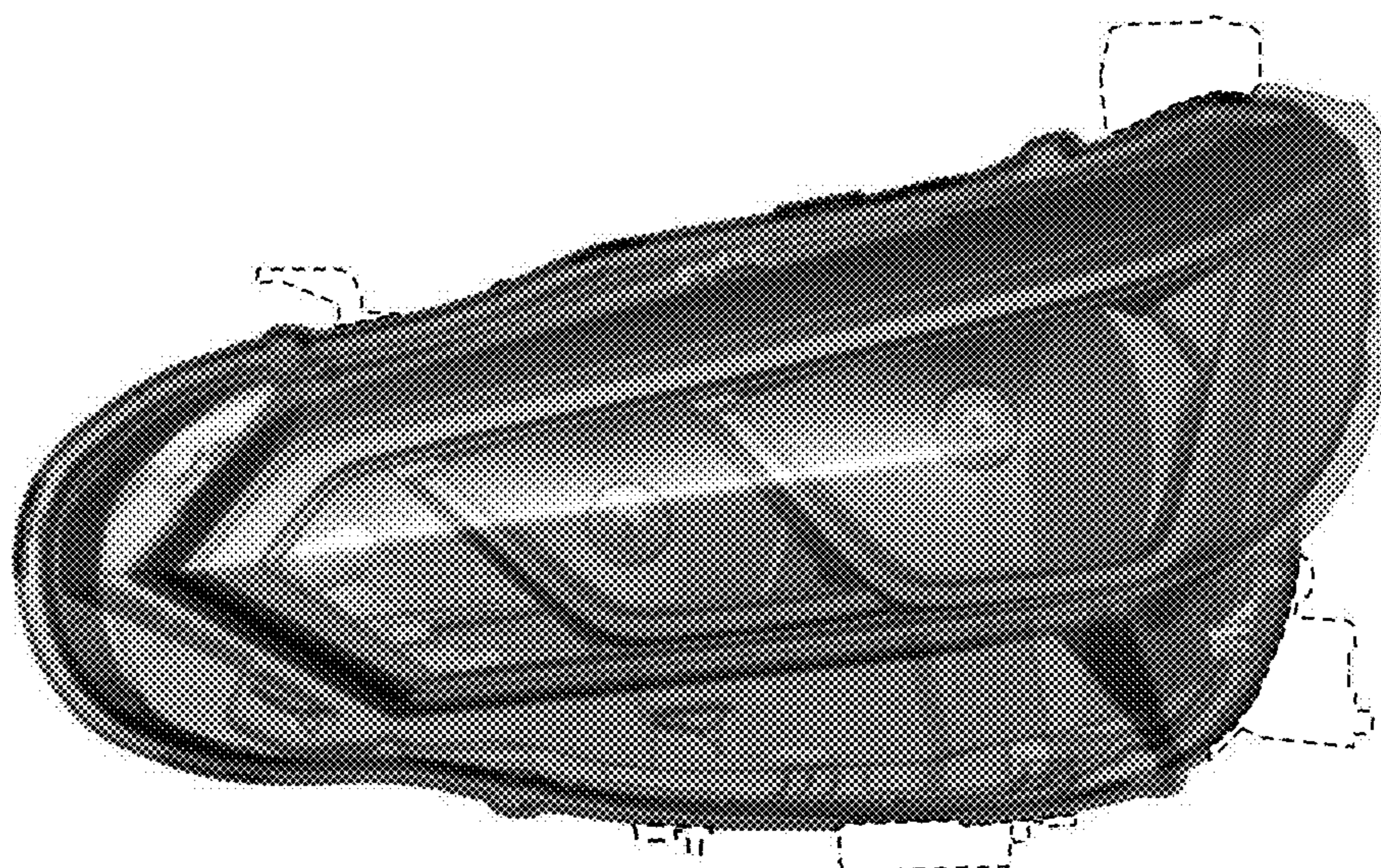
FIG. 7 is a front side perspective view thereof.

The headlight is configured to be mounted to an automobile. The mounting structure and support structure of the headlight, shown in broken lines in FIGS. 1 to 7, form no part of the claimed design since the mounting structure and support structure are hidden when the headlight is mounted to the automobile.

In addition, the appearance of the rear side structures and inside structures of the headlight as shown in broken lines in FIGS. 1 to 7 is for purpose of illustrating the boundaries of the exterior surface of the outside of the headlight, and forms no part of the claimed design. The headlight has a front lens that is transparent such that features behind the lens are at least partially visible as illustrated.

A second embodiment of my new design includes the mirror image of the headlight shown in FIGS. 1 to 7.

1 Claim, 7 Drawing Sheets



(56)

References Cited

U.S. PATENT DOCUMENTS

D874,031 S * 1/2020 Herzog D26/28
D875,976 S * 2/2020 Lin D26/28

* cited by examiner

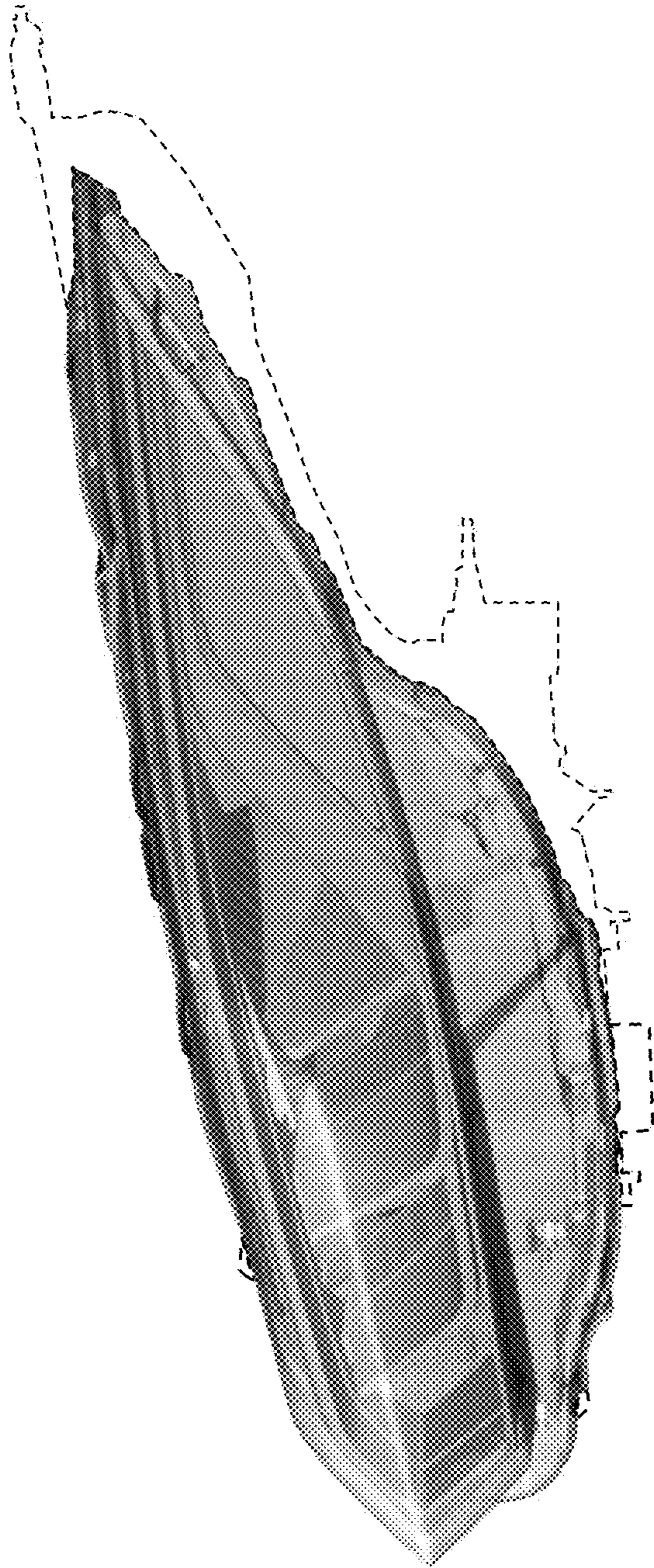


FIG. 1

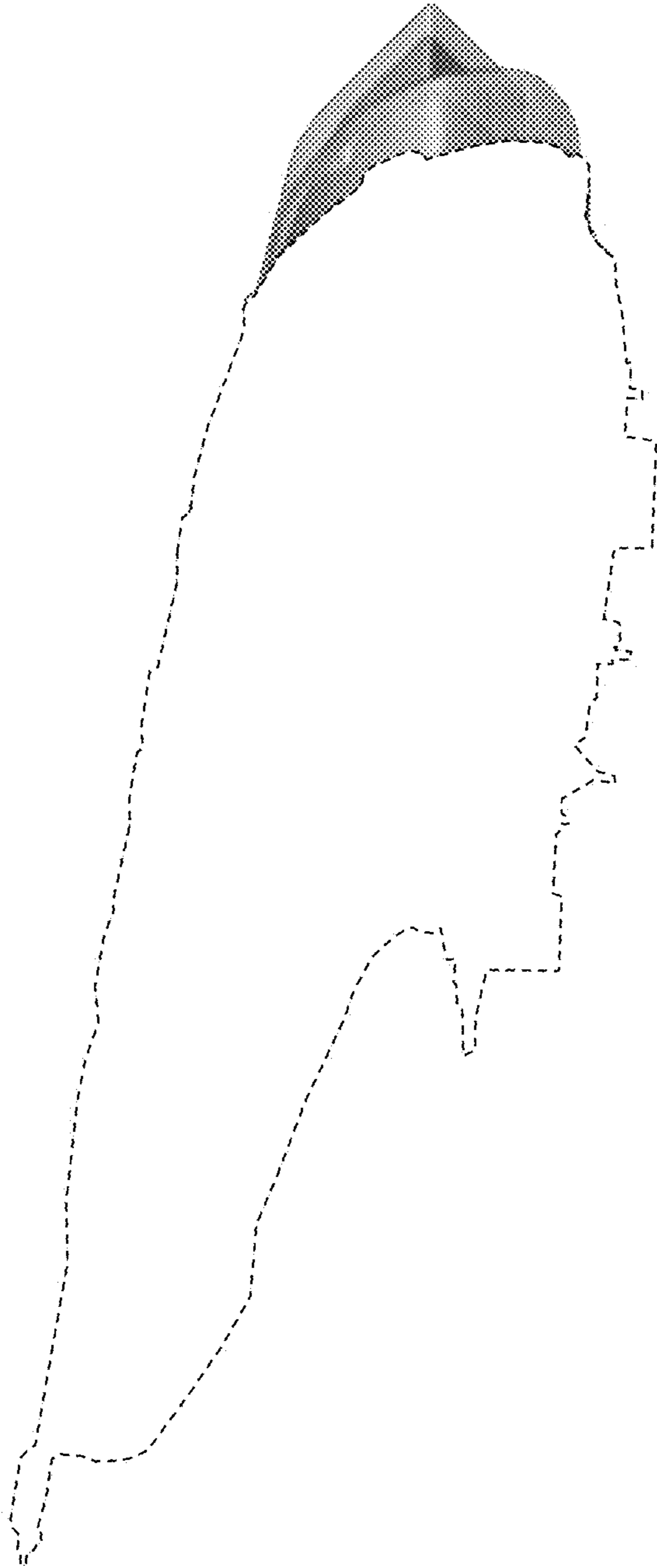


FIG. 2

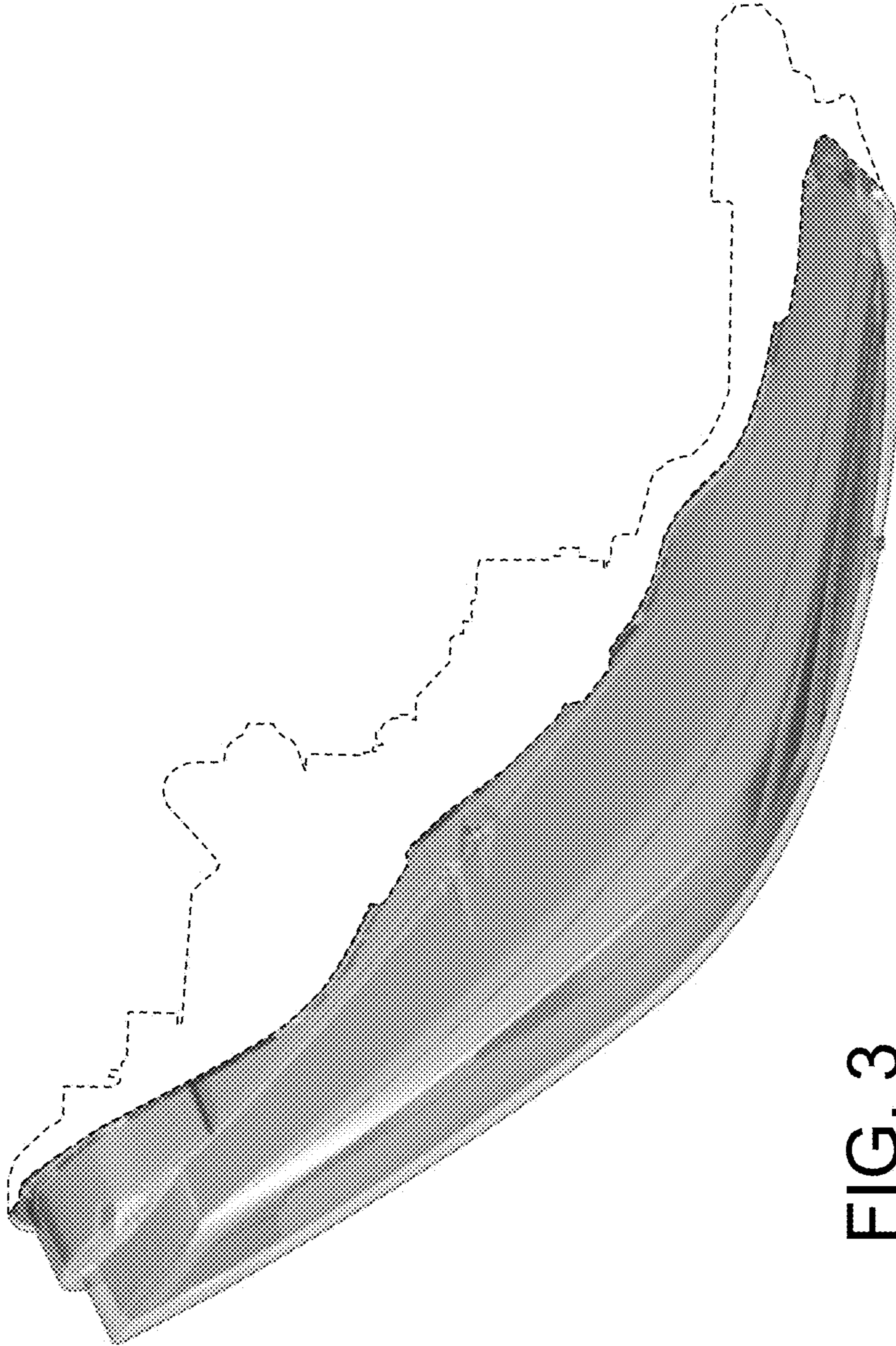


FIG. 3

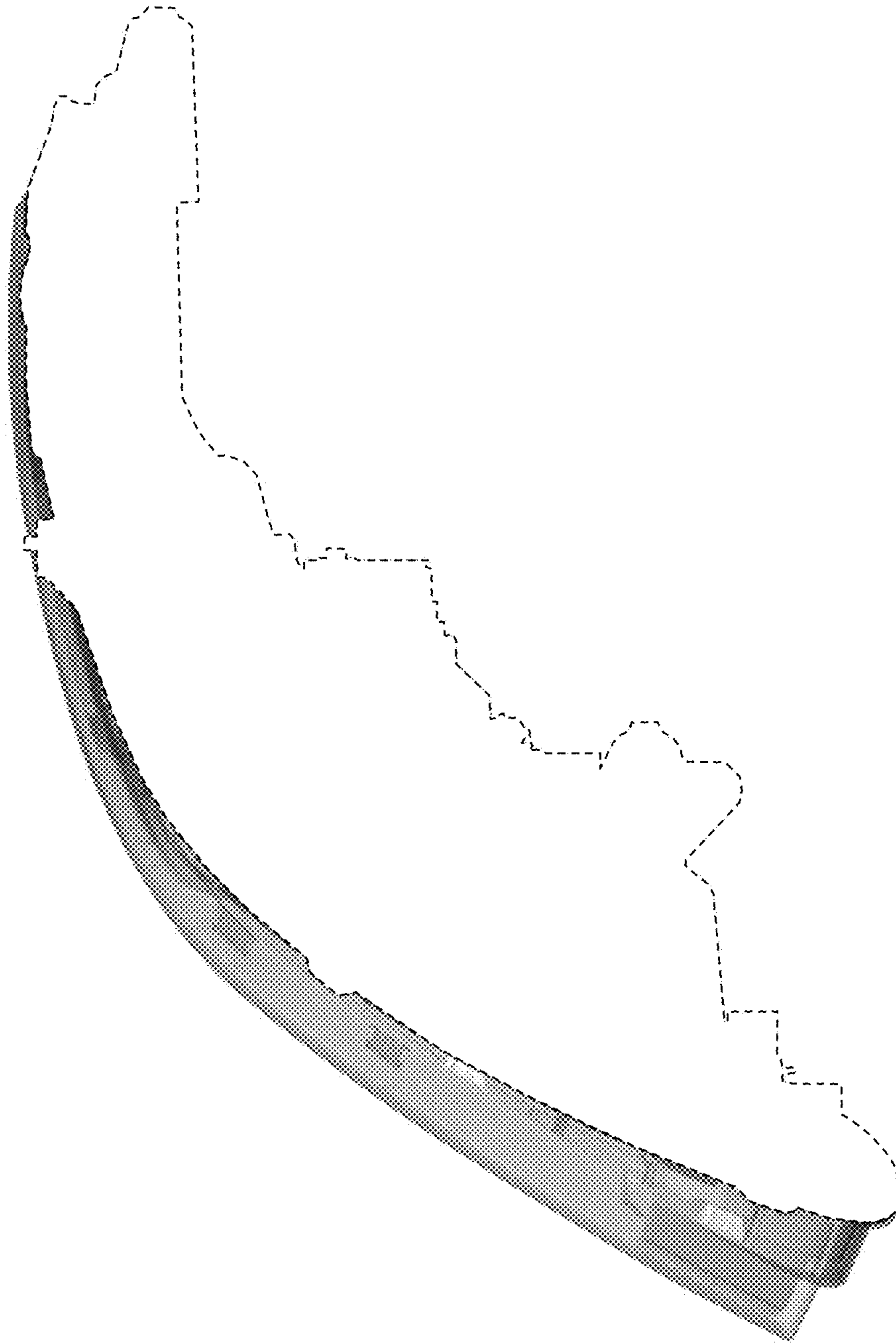


FIG. 4

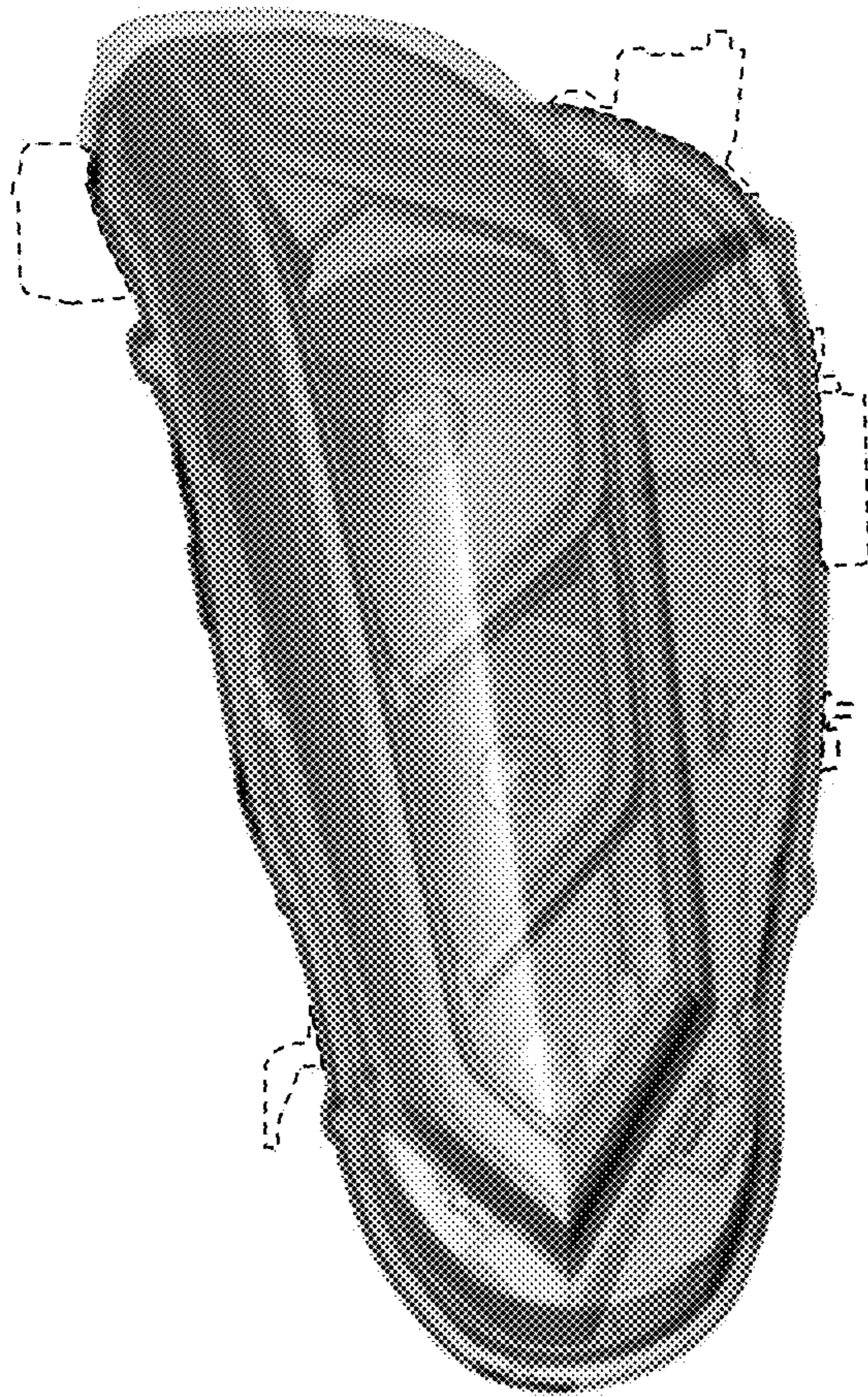


FIG. 5



FIG. 6

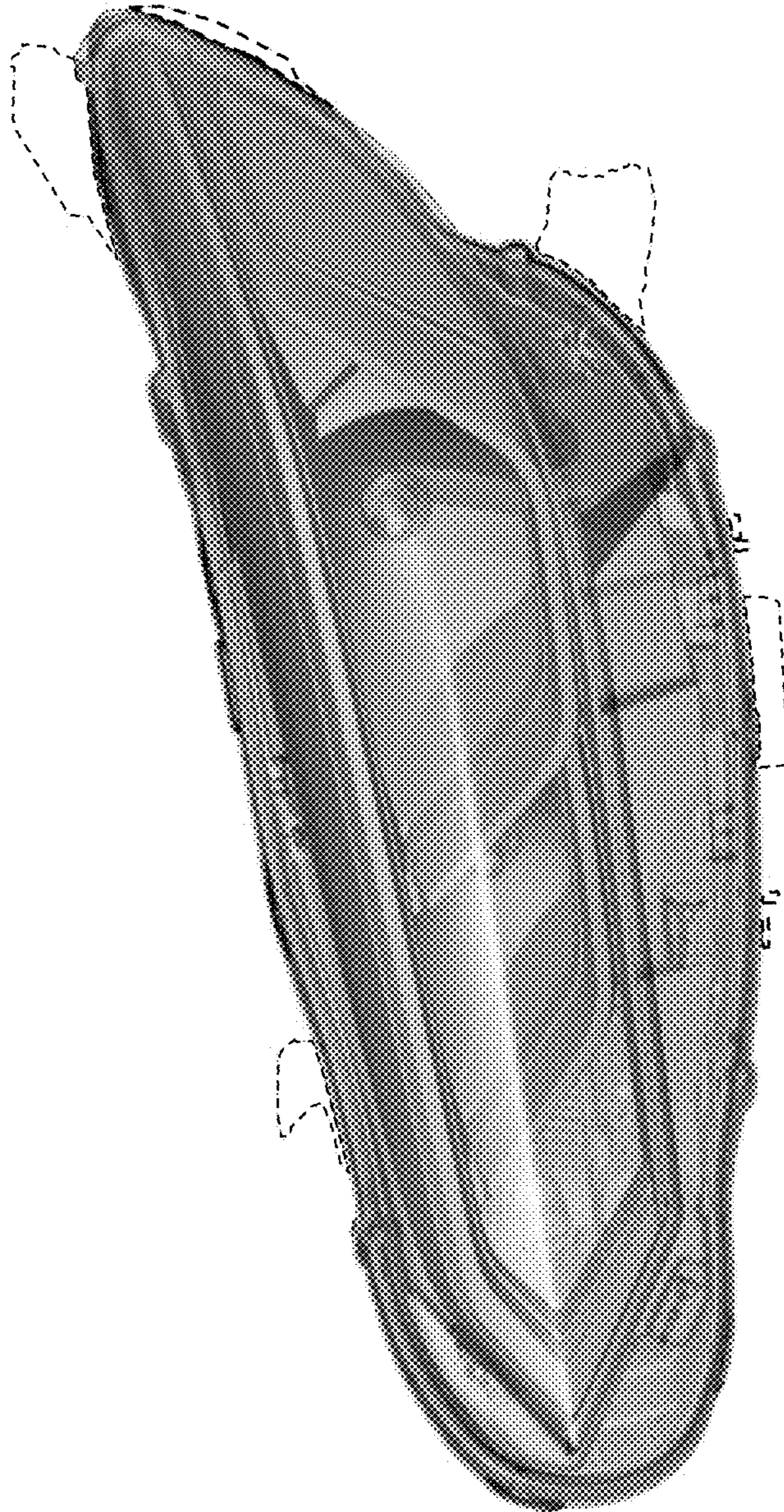


FIG. 7