



US00D897008S

(12) **United States Design Patent** (10) **Patent No.:** **US D897,008 S**
Kim et al. (45) **Date of Patent:** **** Sep. 22, 2020**

(54) **REAR COMBINATION LAMP FOR VEHICLE**
(71) Applicant: **Hyundai Motor Company**, Seoul (KR)
(72) Inventors: **Tae-Hoon Kim**, Gyeonggi-do (KR);
Hyun-Hyo Jae, Seoul (KR)
(73) Assignee: **Hyundai Motor Company**, Seoul (KR)
(**) Term: **15 Years**
(21) Appl. No.: **29/662,879**
(22) Filed: **Sep. 10, 2018**

D824,058 S * 7/2018 Hong D26/28
D826,435 S * 8/2018 Kim D26/28
D826,436 S * 8/2018 Yamakawa D26/28
D841,845 S * 2/2019 Park D26/28
D842,507 S * 3/2019 Kim D26/28
D843,614 S * 3/2019 Whitla D26/28
D844,184 S * 3/2019 Whitla D26/28
D844,186 S * 3/2019 Smith D26/28
D845,524 S * 4/2019 Lee D26/35
D856,559 S * 8/2019 Badstuebner D26/28
D857,941 S * 8/2019 Whitla D26/28
D857,944 S * 8/2019 Pinazzo D26/28
D857,950 S * 8/2019 Zipfel D26/28
D857,951 S * 8/2019 Whitla D26/28
D857,952 S * 8/2019 Smith D26/28

(Continued)

Related U.S. Application Data

(63) Continuation of application No. 35/501,781, filed on Apr. 25, 2016 (U.S. filing date under 35 U.S.C. 384), and having an international filing date of Apr. 25, 2016, now abandoned.

Foreign Application Priority Data

(30) Dec. 11, 2015 (KR) 30-2015-0063331
(51) **LOC (12) Cl.** **26-06**
(52) **U.S. Cl.**
USPC **D26/28**
(58) **Field of Classification Search**
USPC D26/28, 120, 2, 85, 93, 89, 118
CPC B60Q 1/2615; B60Q 1/0683
See application file for complete search history.

References Cited

U.S. PATENT DOCUMENTS

D787,724 S * 5/2017 Hong D26/28
D812,792 S * 3/2018 Jae D26/28
D823,504 S * 7/2018 Yoon D26/28
D824,053 S * 7/2018 Lin D26/28
D824,056 S * 7/2018 Yoon D26/28
D824,057 S * 7/2018 Kang D26/28

Primary Examiner — Rhea Shields

(74) *Attorney, Agent, or Firm* — Mintz Levin Cohn Ferris Glovsky and Popeo, P.C.; Peter F. Corless

(57) **CLAIM**

The ornamental design for a rear combination lamp for vehicle, as shown and described.

DESCRIPTION

FIG. 1 is a front perspective view of the rear combination lamp for vehicle showing our design; FIG. 2 is a front view thereof; FIG. 3 is a back view thereof; FIG. 4 is a left view thereof; FIG. 5 is a right view thereof; FIG. 6 is a top plan view thereof; and, FIG. 7 is a bottom plan view thereof.

The materials are made of metals, glasses and synthetic resins; this article is installed to the rear of an automobile; this article is a combination of a brake lamp and a reversing lamp; the cover part of the front of this article and the lamp part inside the cover part are transparent. The features enclosed by broken lines form no part of the claimed design.

1 Claim, 7 Drawing Sheets



(56)

References Cited

U.S. PATENT DOCUMENTS

D857,955	S	*	8/2019	Han	D26/28
D857,956	S	*	8/2019	Han	D26/28
D858,815	S	*	9/2019	Huang	D26/28
D858,818	S	*	9/2019	McMahan	D26/28
D858,819	S	*	9/2019	McMahan	D26/28
D858,821	S	*	9/2019	Park	D26/28
D858,822	S	*	9/2019	Whitla	D26/28
D858,826	S	*	9/2019	Han	D26/28
D859,707	S	*	9/2019	McMahan	D26/28

* cited by examiner

FIG. 1



FIG. 2

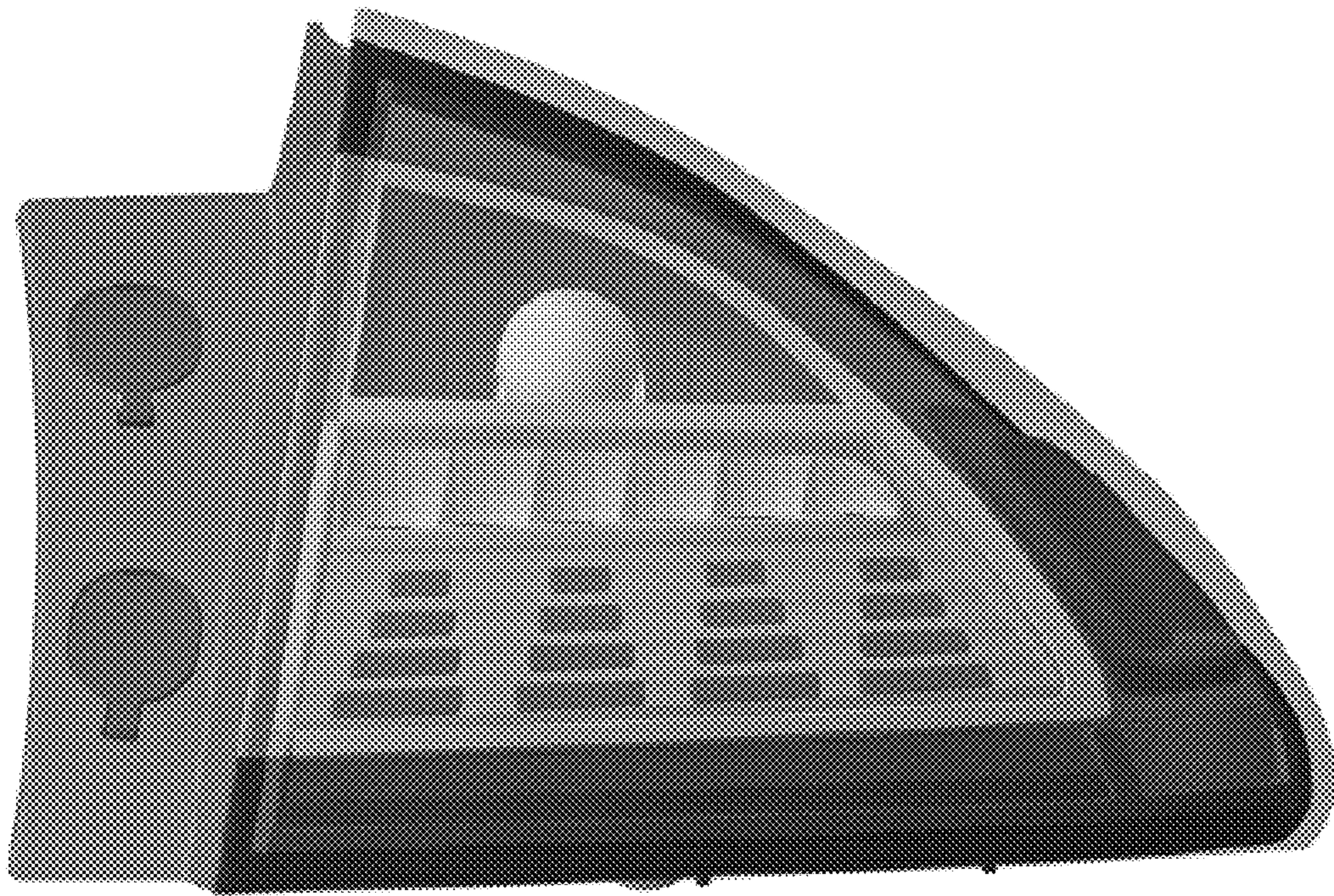


FIG. 3

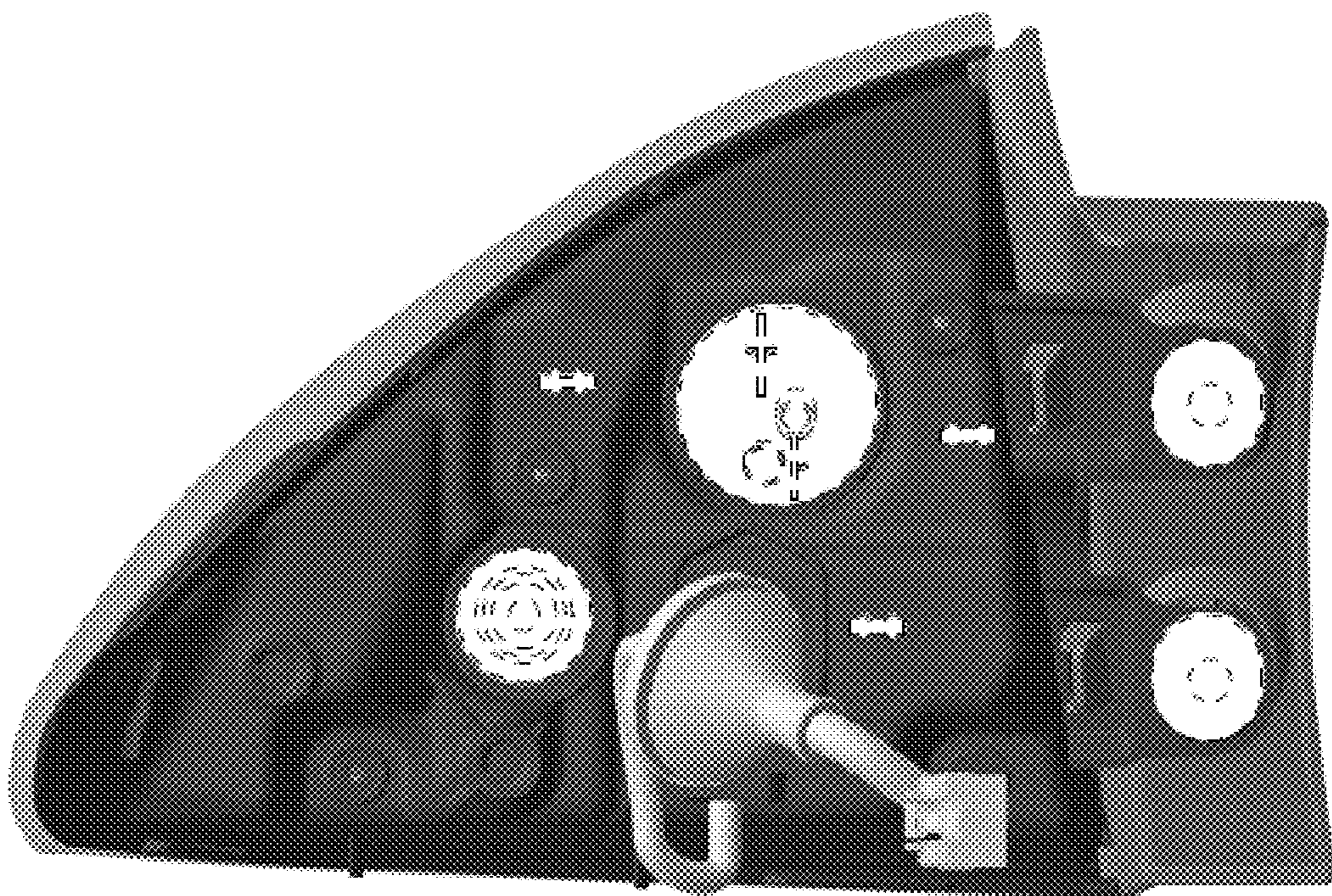


FIG. 4

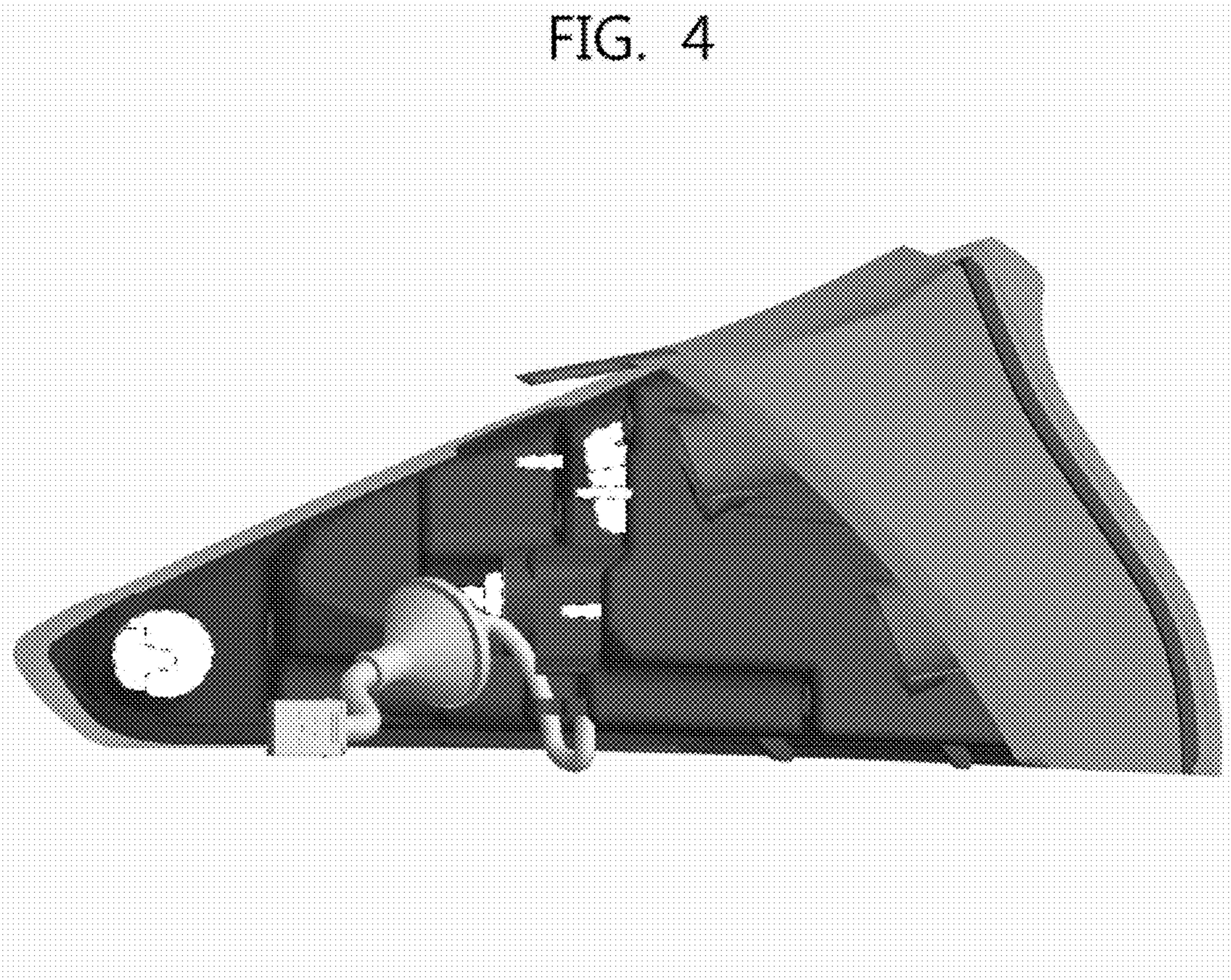


FIG. 5

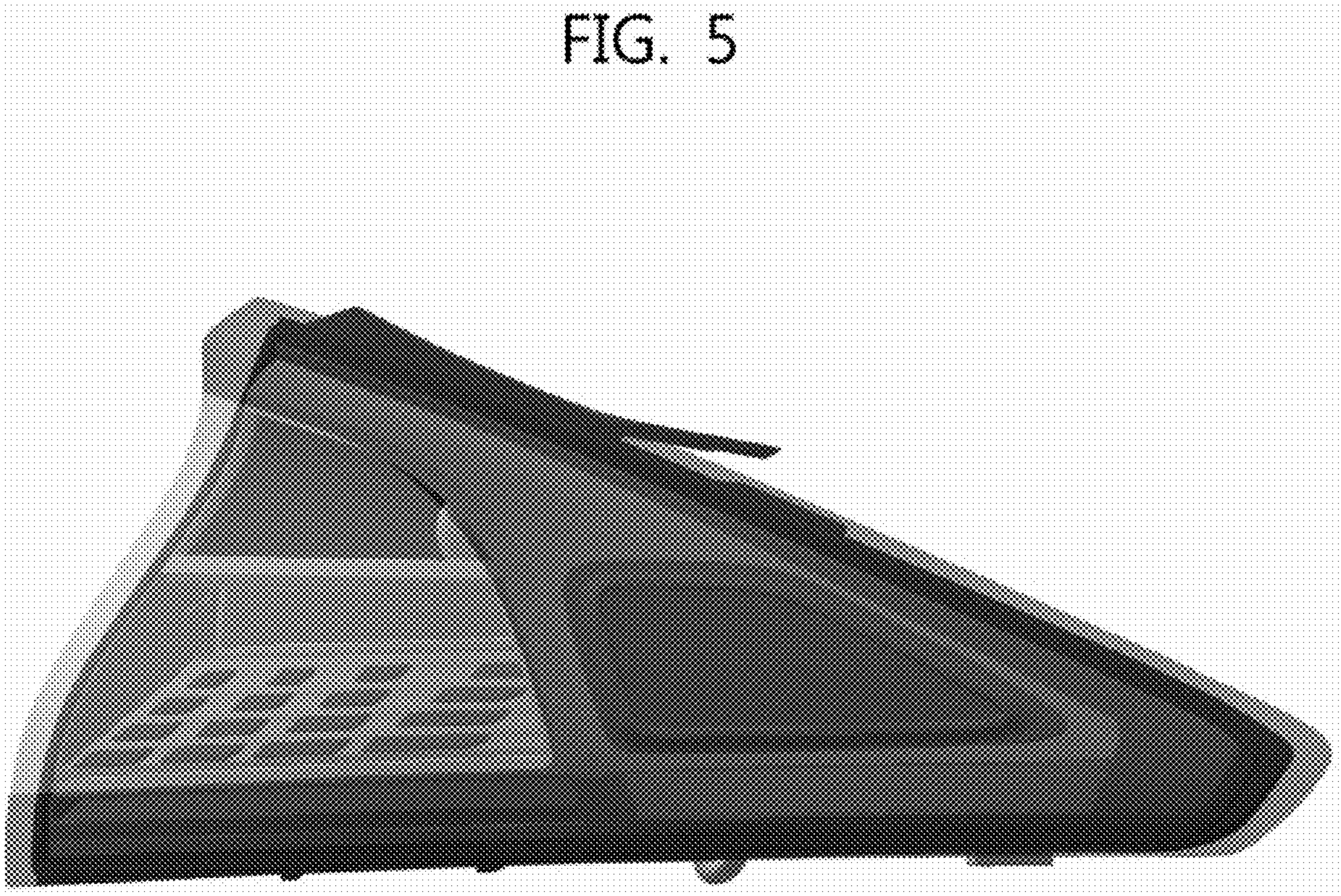


FIG. 6

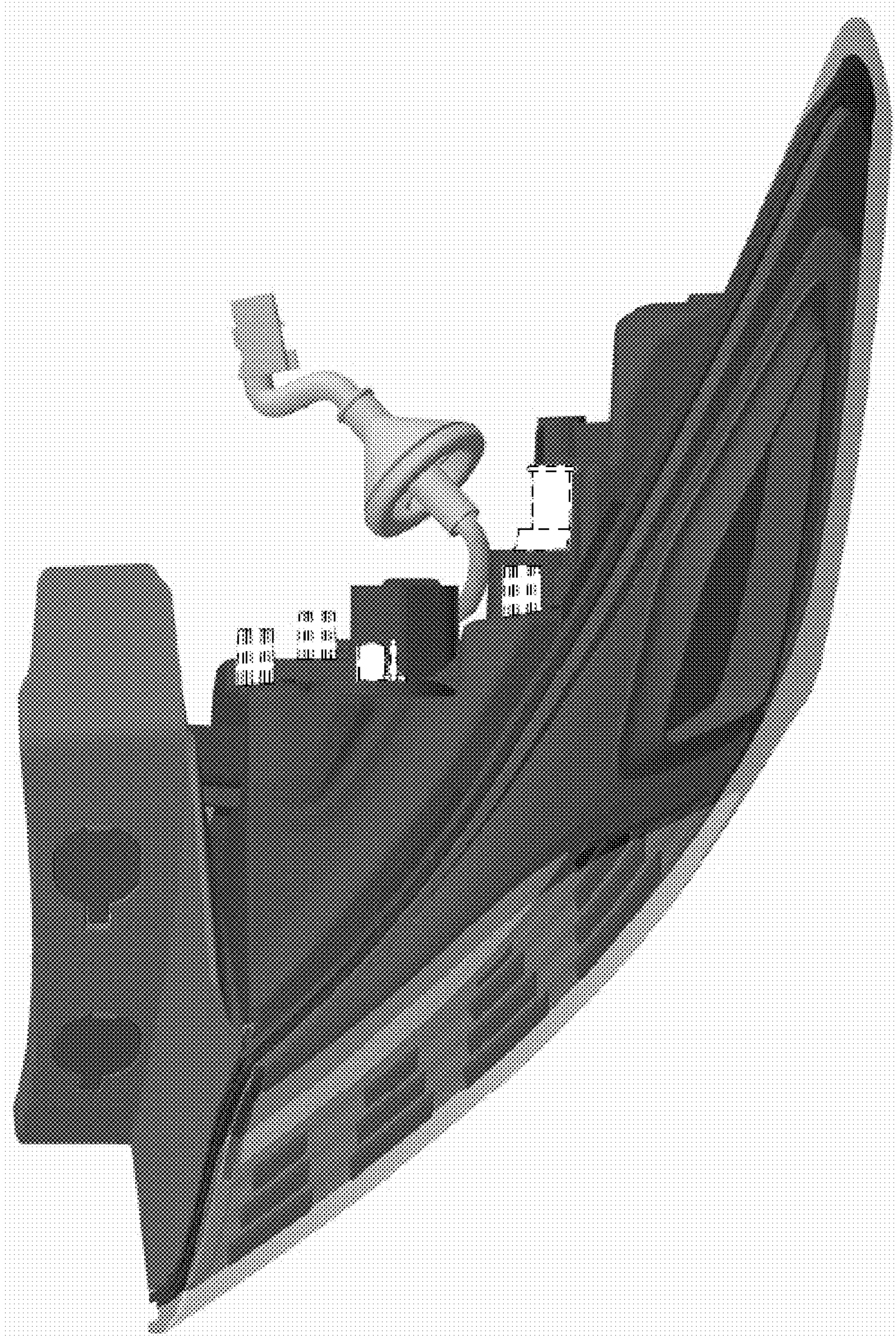


FIG. 7

