



US00D897007S

(12) **United States Design Patent** (10) **Patent No.:** **US D897,007 S**
Hu (45) **Date of Patent:** **** Sep. 22, 2020**

(54) **LAMP BULB**

Primary Examiner — Marcus A Jackson

(71) Applicant: **ZHEJIANG PUJING PHOTOELECTRIC TECHNOLOGY CO., LTD.**, Pujiang (CN)

(57) **CLAIM**

The ornamental design for a lamp bulb, as shown and described.

(72) Inventor: **Tingsong Hu**, Pujiang (CN)

(**) Term: **15 Years**

DESCRIPTION

(21) Appl. No.: **29/697,166**

FIG. 1 is a first perspective view of a first embodiment of a lamp bulb showing my design;

(22) Filed: **Jul. 4, 2019**

FIG. 2 is a second perspective view of the first embodiment thereof;

(51) **LOC (12) Cl.** **26-04**

FIG. 3 is a front view of the first embodiment thereof;

(52) **U.S. Cl.**

FIG. 4 is a back view of the first embodiment thereof;

USPC **D26/4**

FIG. 5 is a left side view of the first embodiment thereof;

(58) **Field of Classification Search**

FIG. 6 is a right side view of the first embodiment thereof;

USPC **D26/1-4**

FIG. 7 is a top view of the first embodiment thereof;

CPC **H01R 5/00; H01R 13/46; H01R 13/514;**

FIG. 8 is a bottom view of the first embodiment thereof;

H01R 31/048; H01R 31/02; H01J 5/00;

FIG. 9 is a first perspective view of a second embodiment of a lamp bulb showing my design;

H01J 5/16; H01J 1/02; H01J 15/00; H01J

FIG. 10 is a second perspective view of the second embodiment thereof;

5/48; H01J 19/54; F21V 5/00; F21K

FIG. 11 is a front view of the second embodiment thereof;

9/00; F21K 13/00

See application file for complete search history.

FIG. 12 is a back view of the second embodiment thereof;

(56) **References Cited**

U.S. PATENT DOCUMENTS

D94,890 S *	3/1935	Graf	D26/4
D99,637 S *	5/1936	Abrason	D26/4
D370,282 S *	5/1996	Grether	D26/4
D381,441 S *	7/1997	Cheung	D26/4

FIG. 13 is a left side view of the second embodiment thereof;

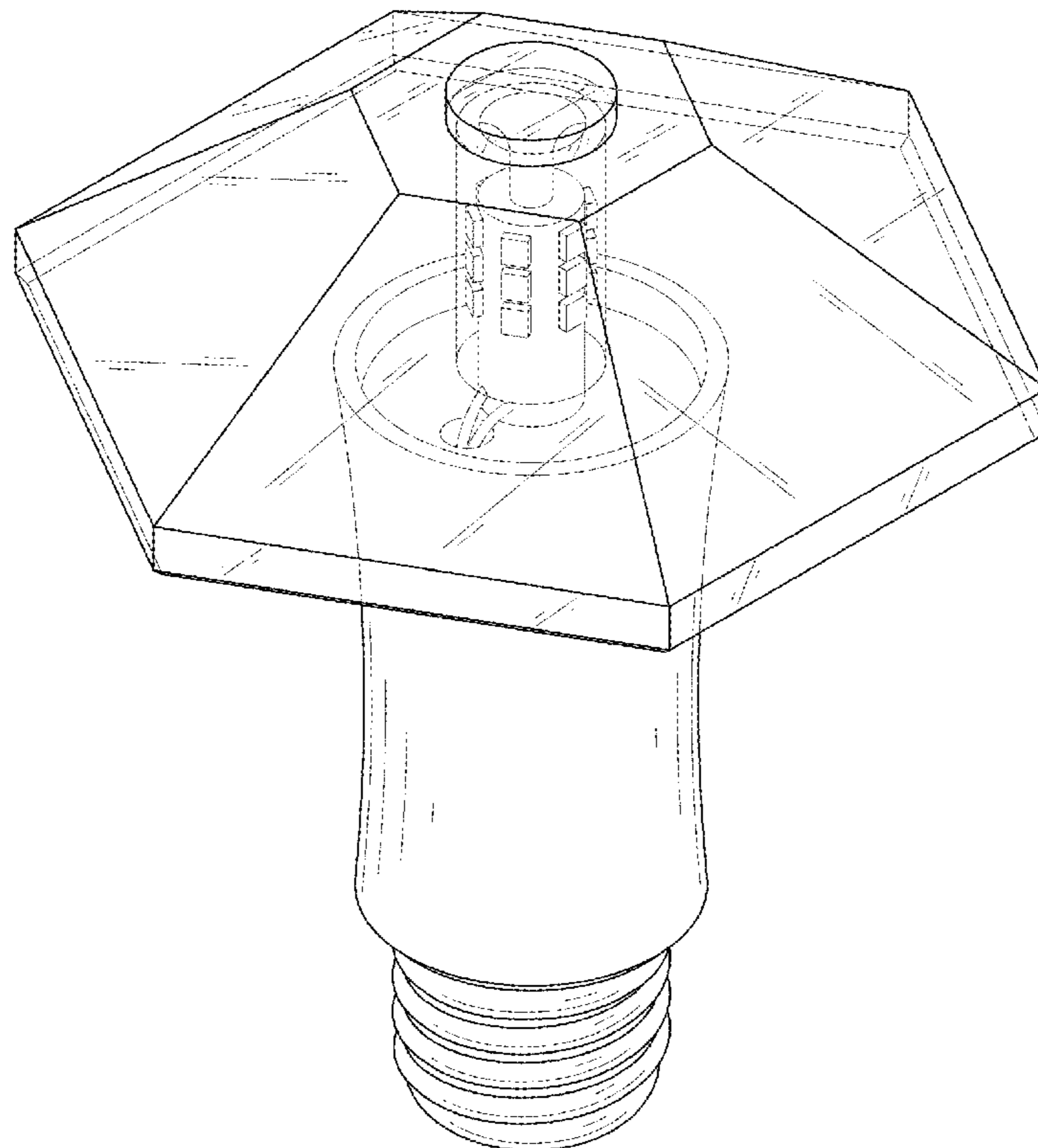
FIG. 14 is a right side view of the second embodiment thereof;

FIG. 15 is a top view of the second embodiment thereof;

and, FIG. 16 is a bottom view of the second embodiment thereof.

* cited by examiner

1 Claim, 16 Drawing Sheets



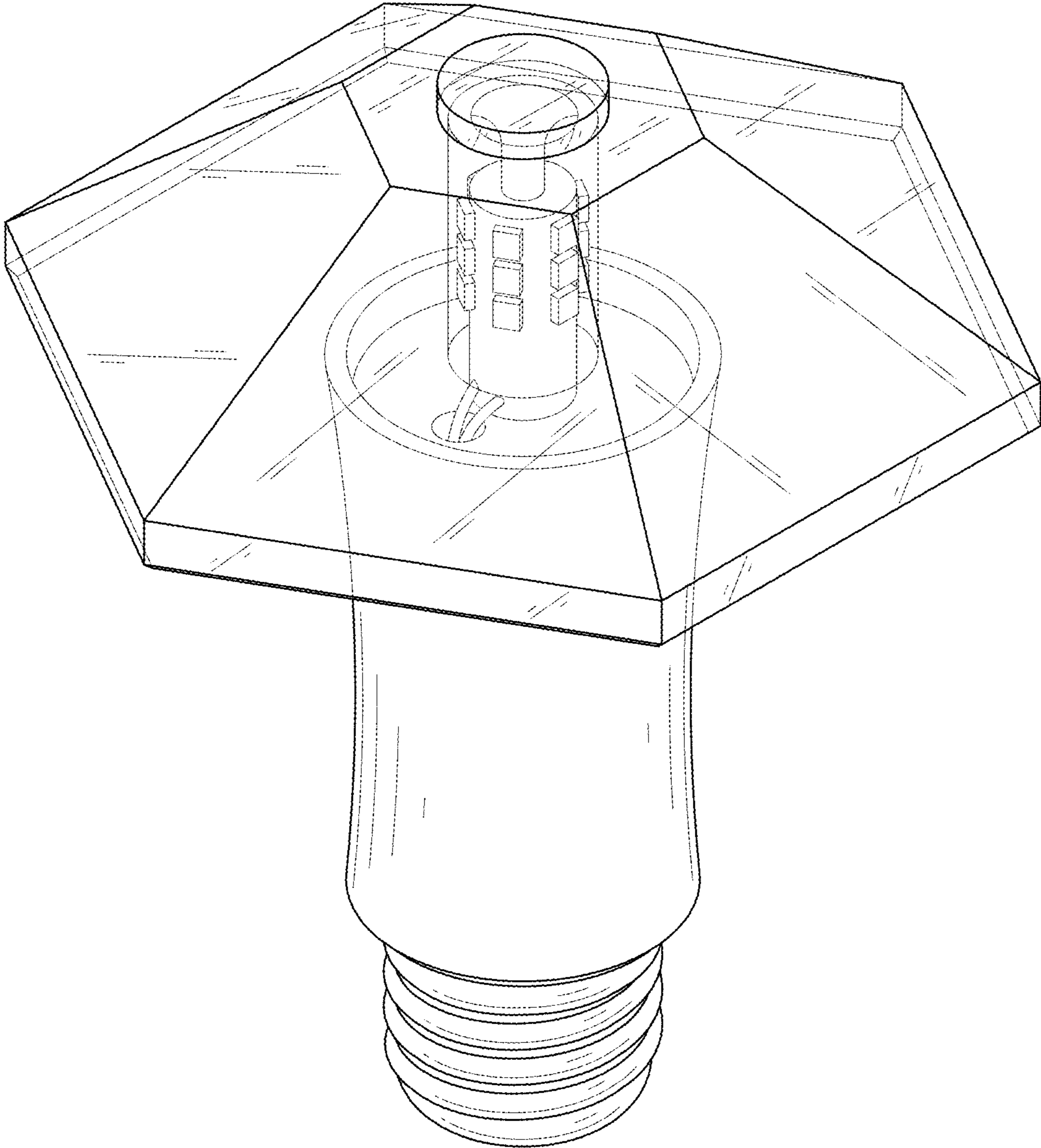


FIG. 1

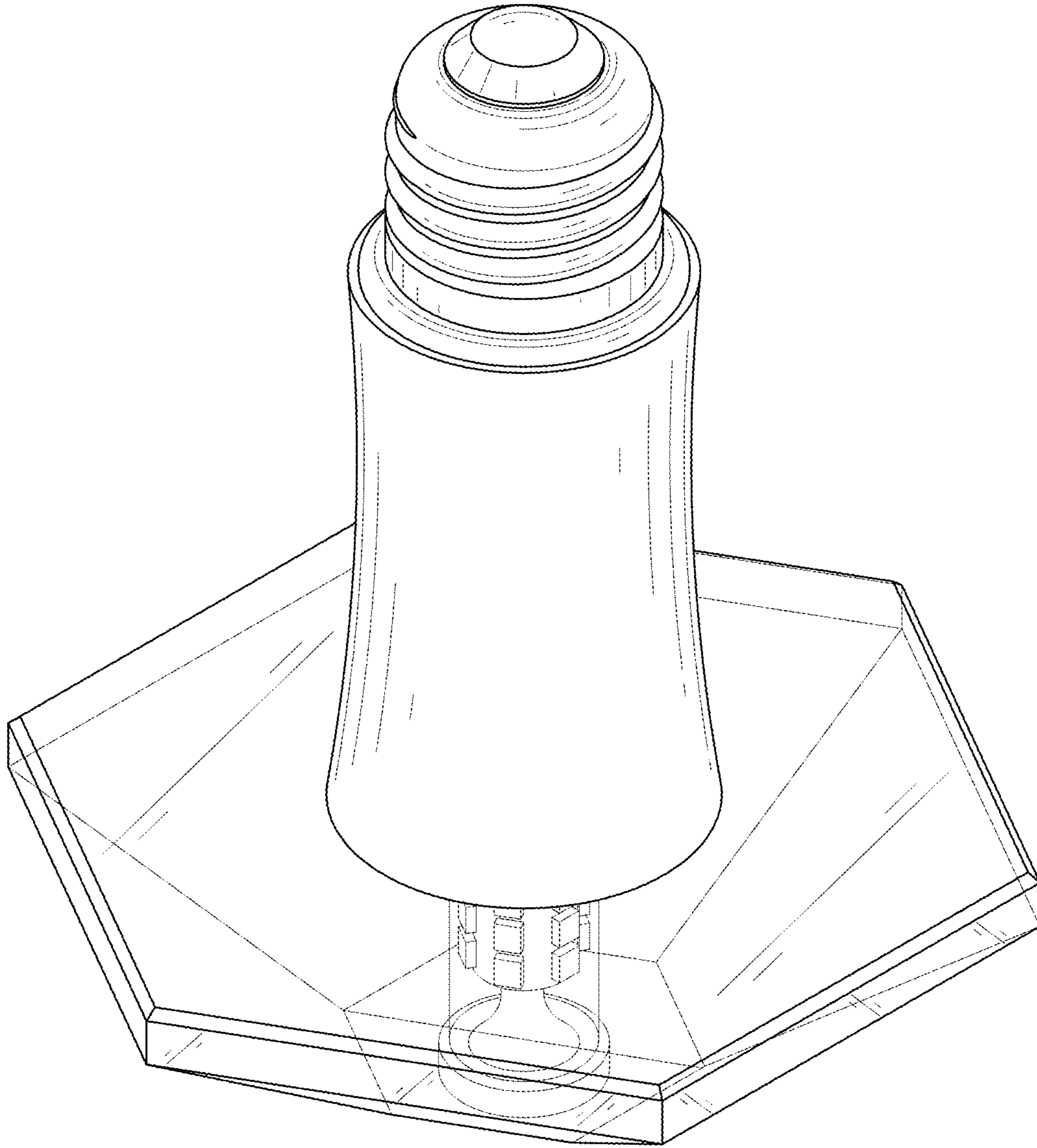


FIG. 2

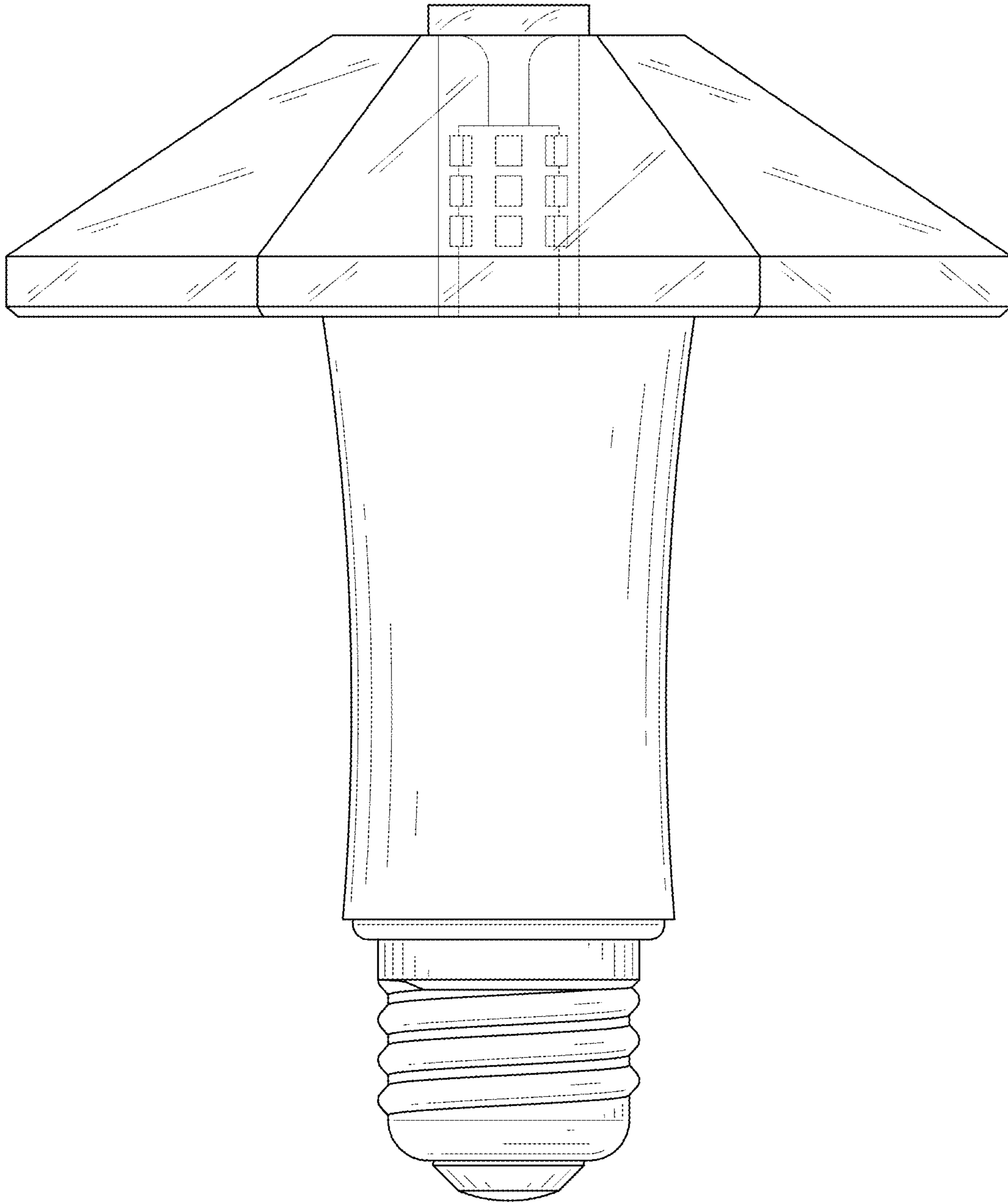


FIG. 3

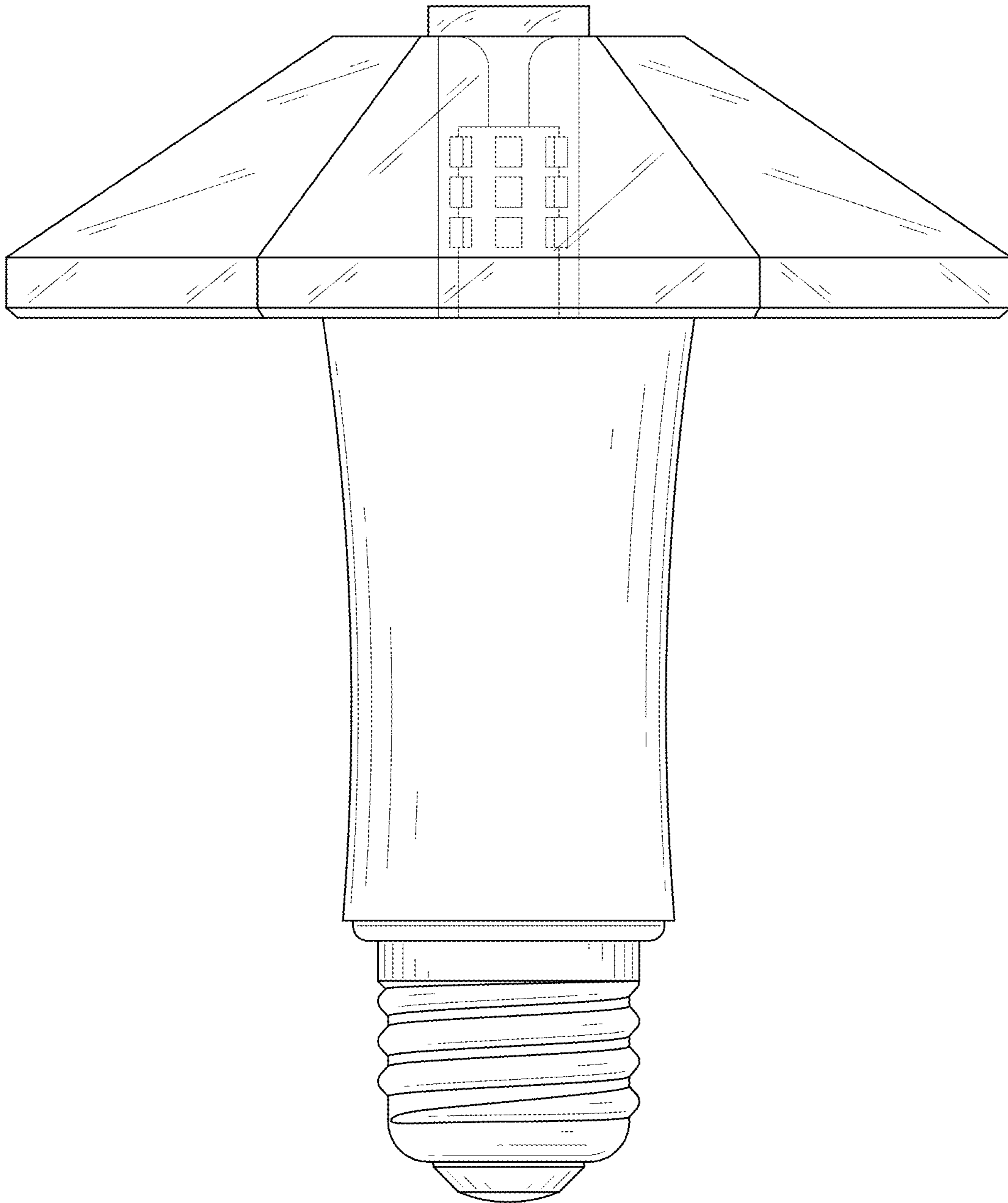


FIG. 4

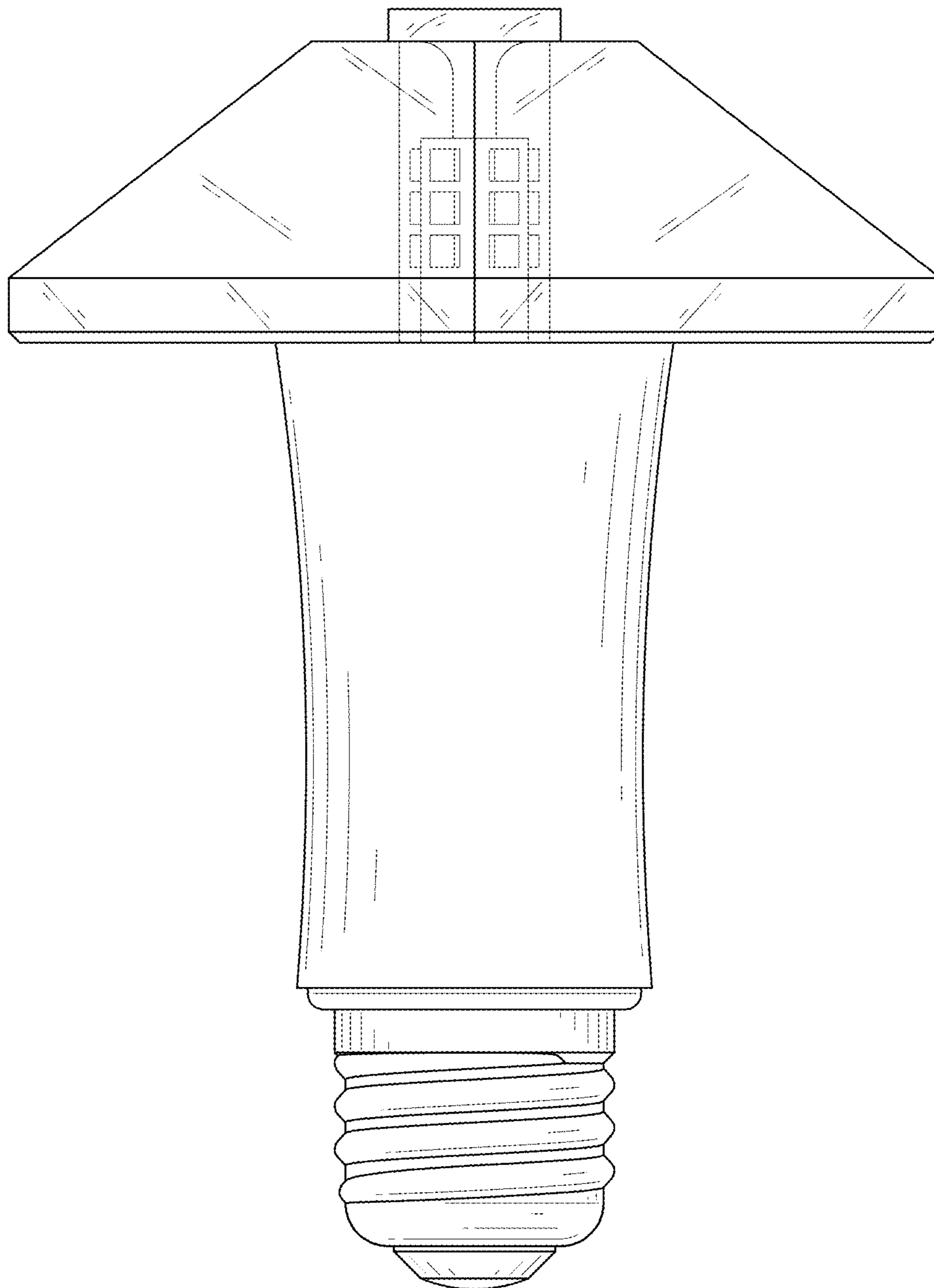


FIG. 5

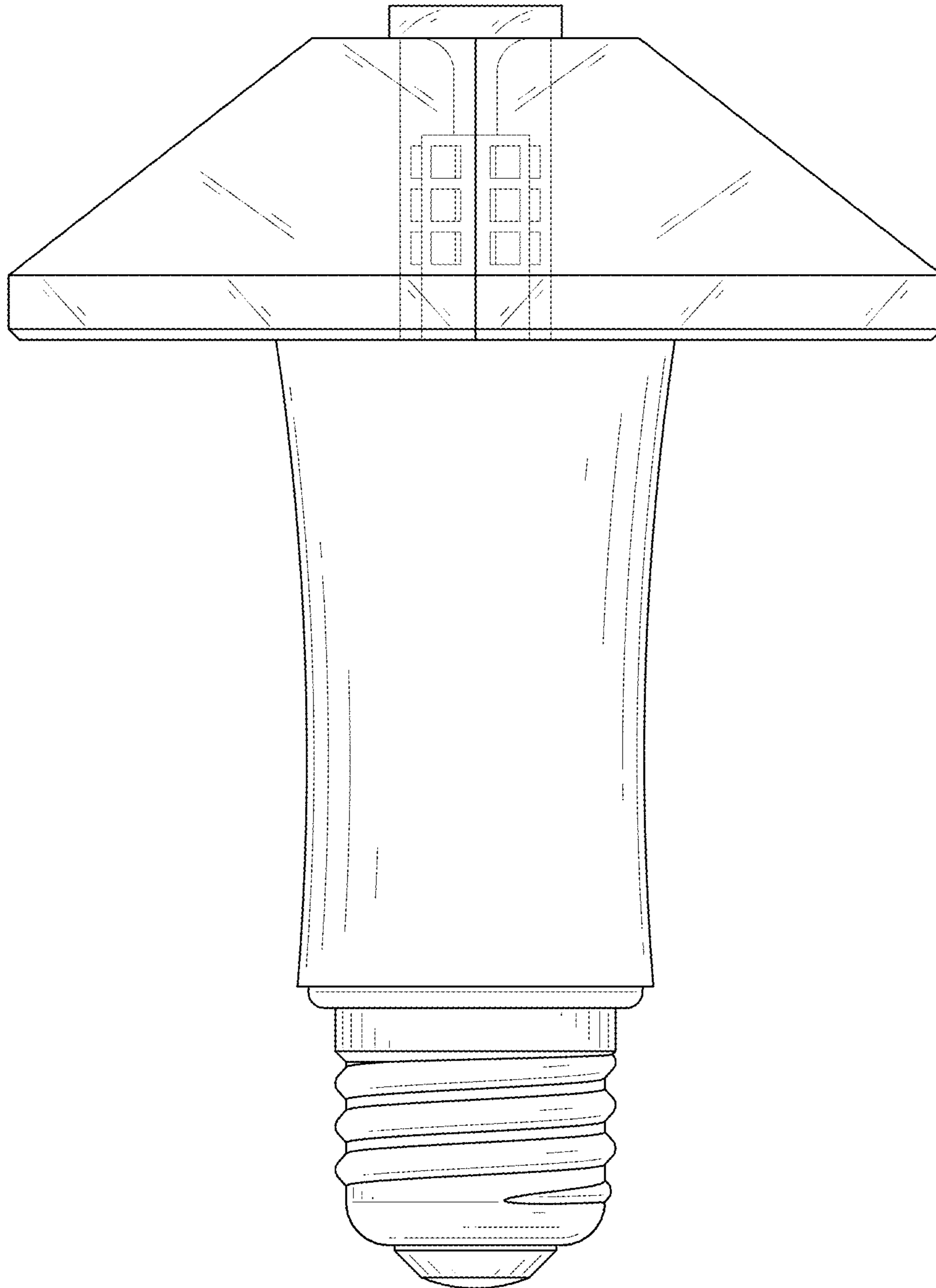


FIG. 6

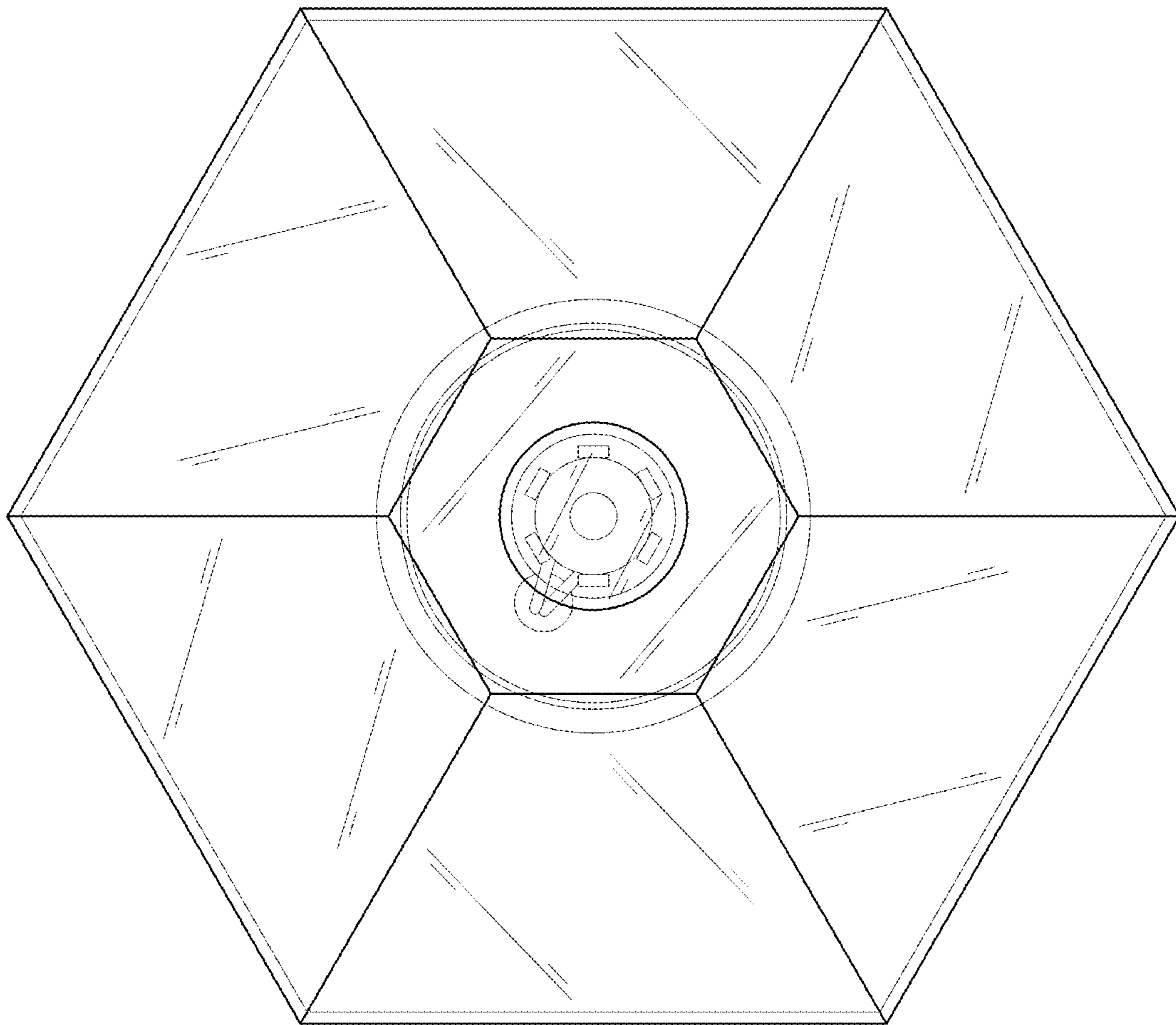


FIG. 7

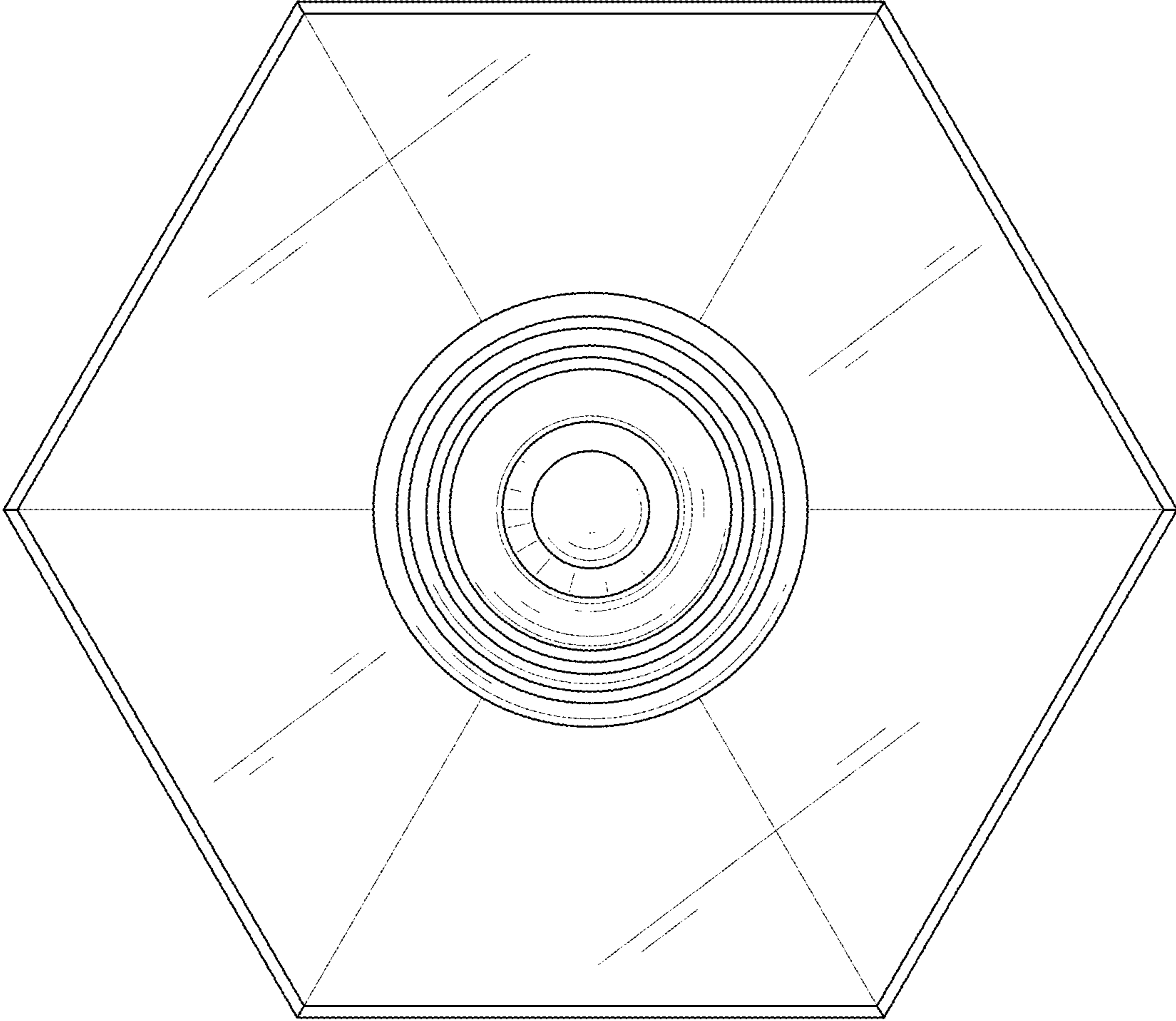


FIG. 8

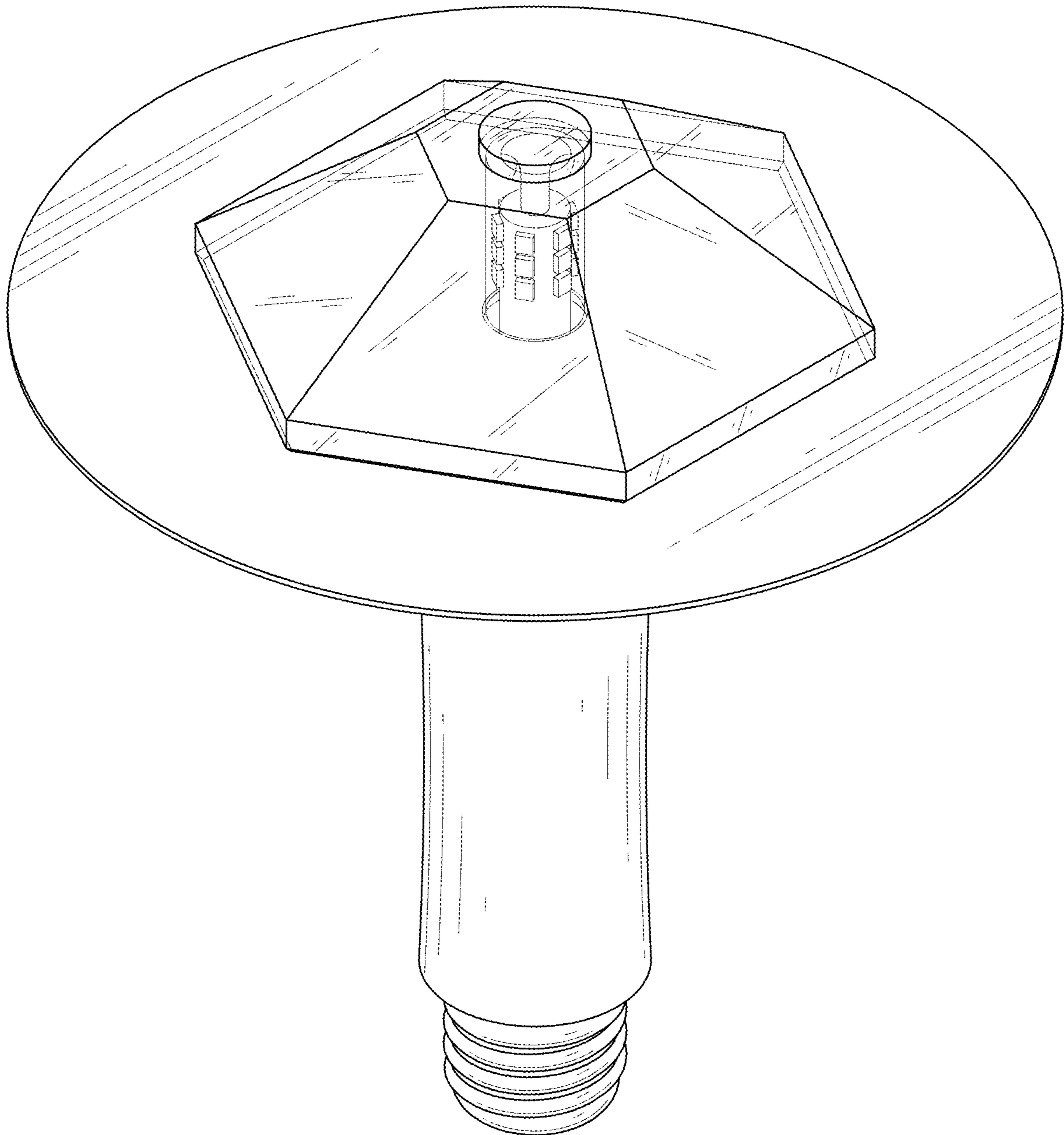


FIG. 9

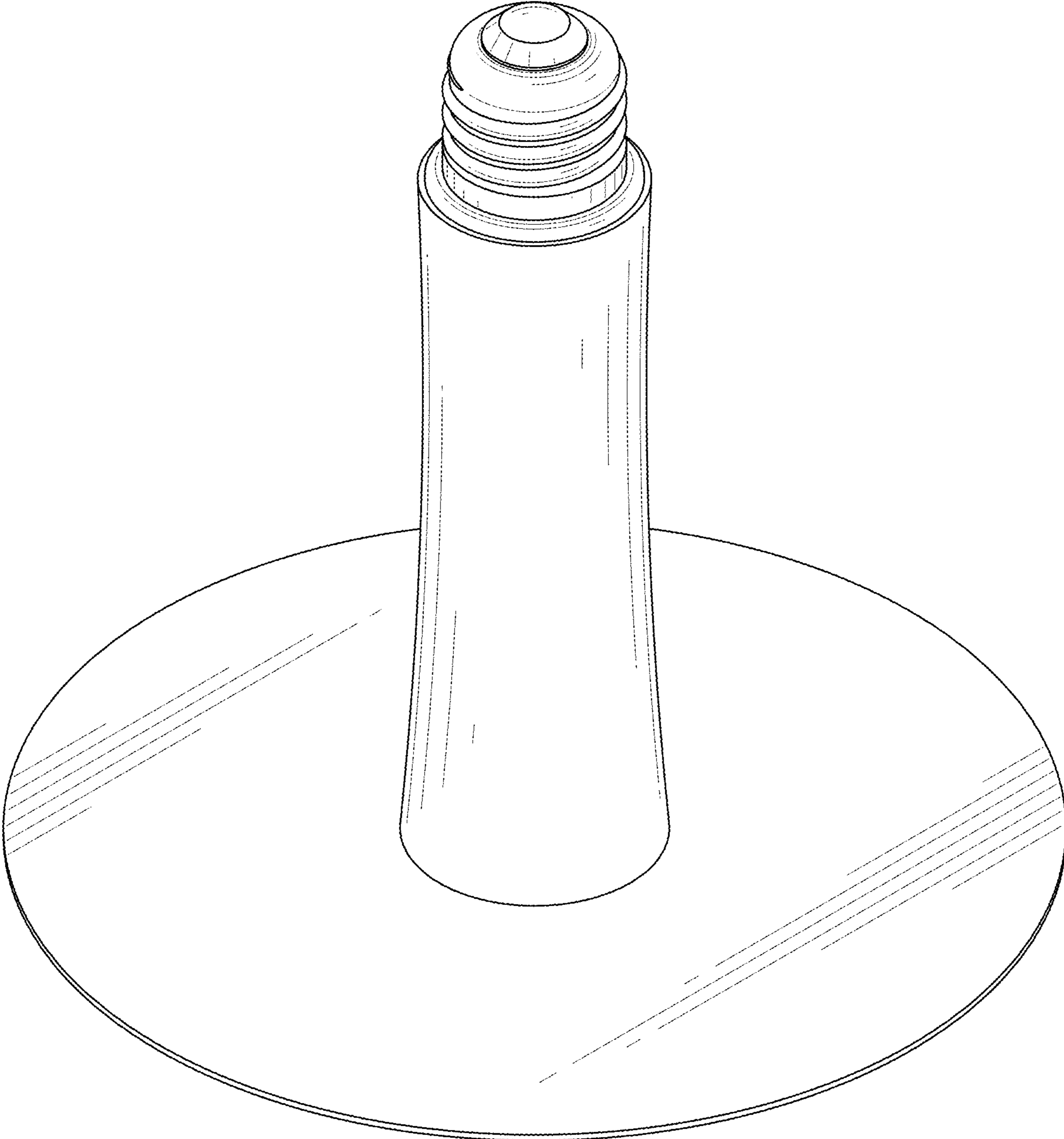


FIG. 10

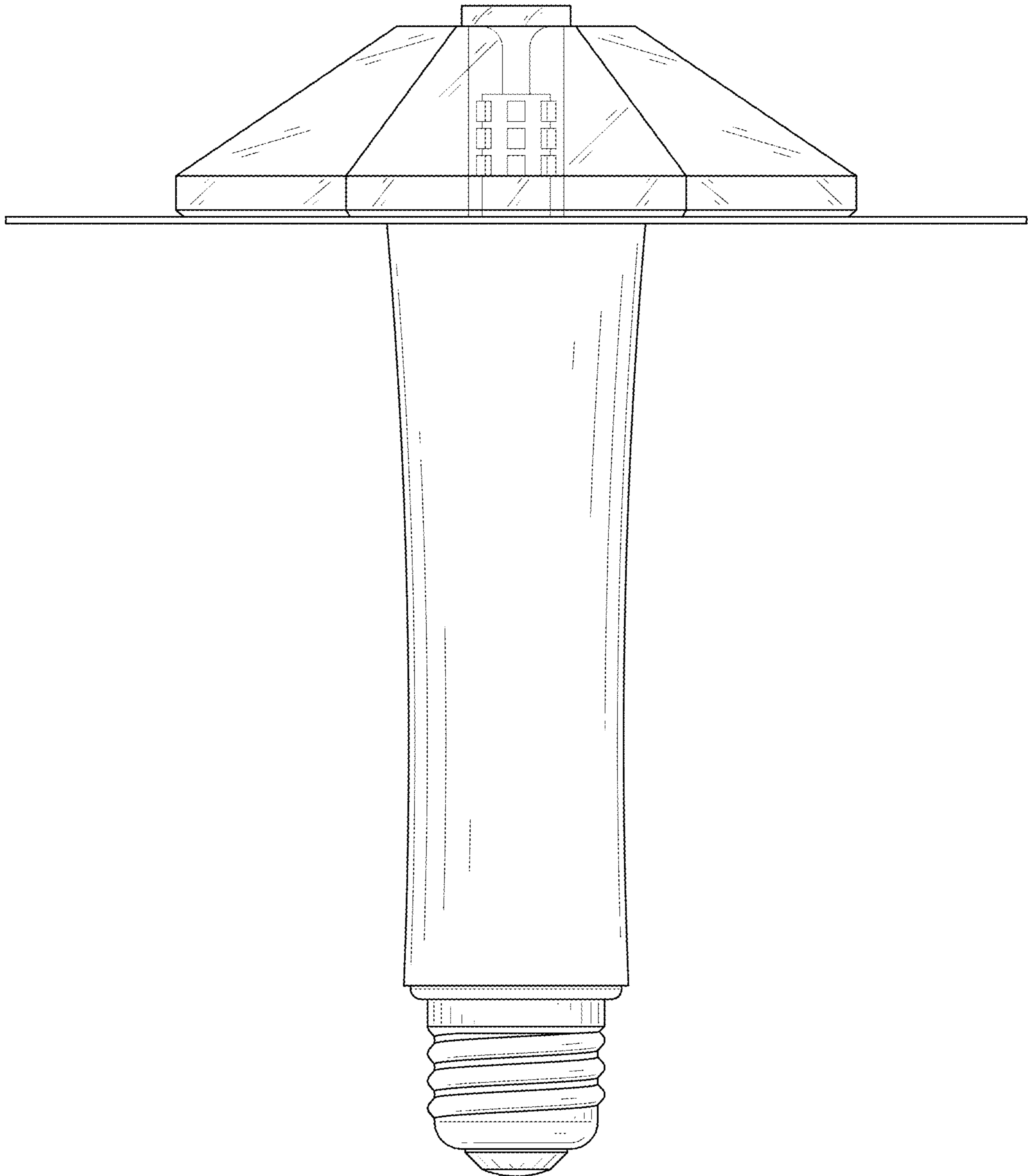


FIG. 11

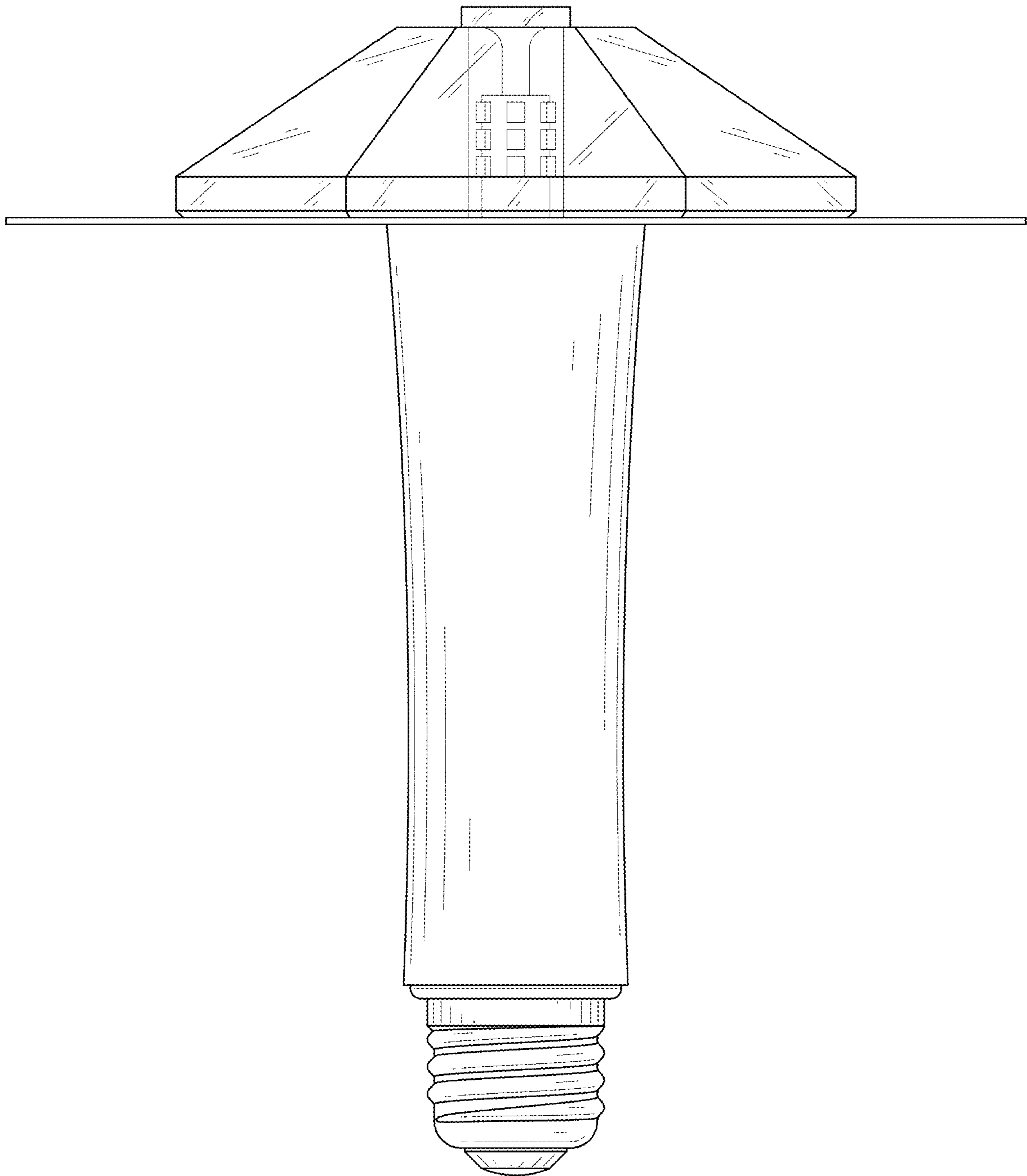


FIG. 12

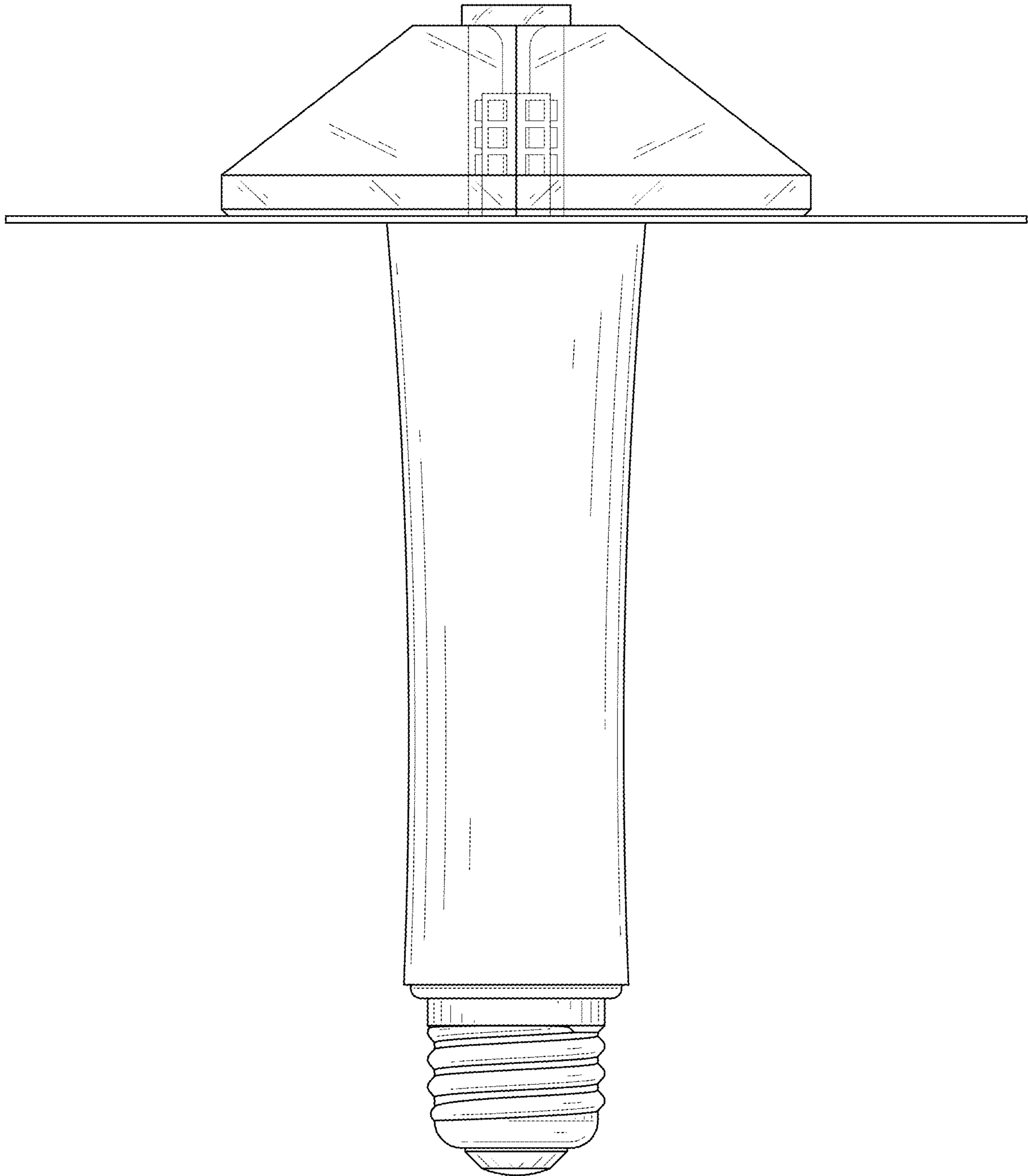


FIG. 13

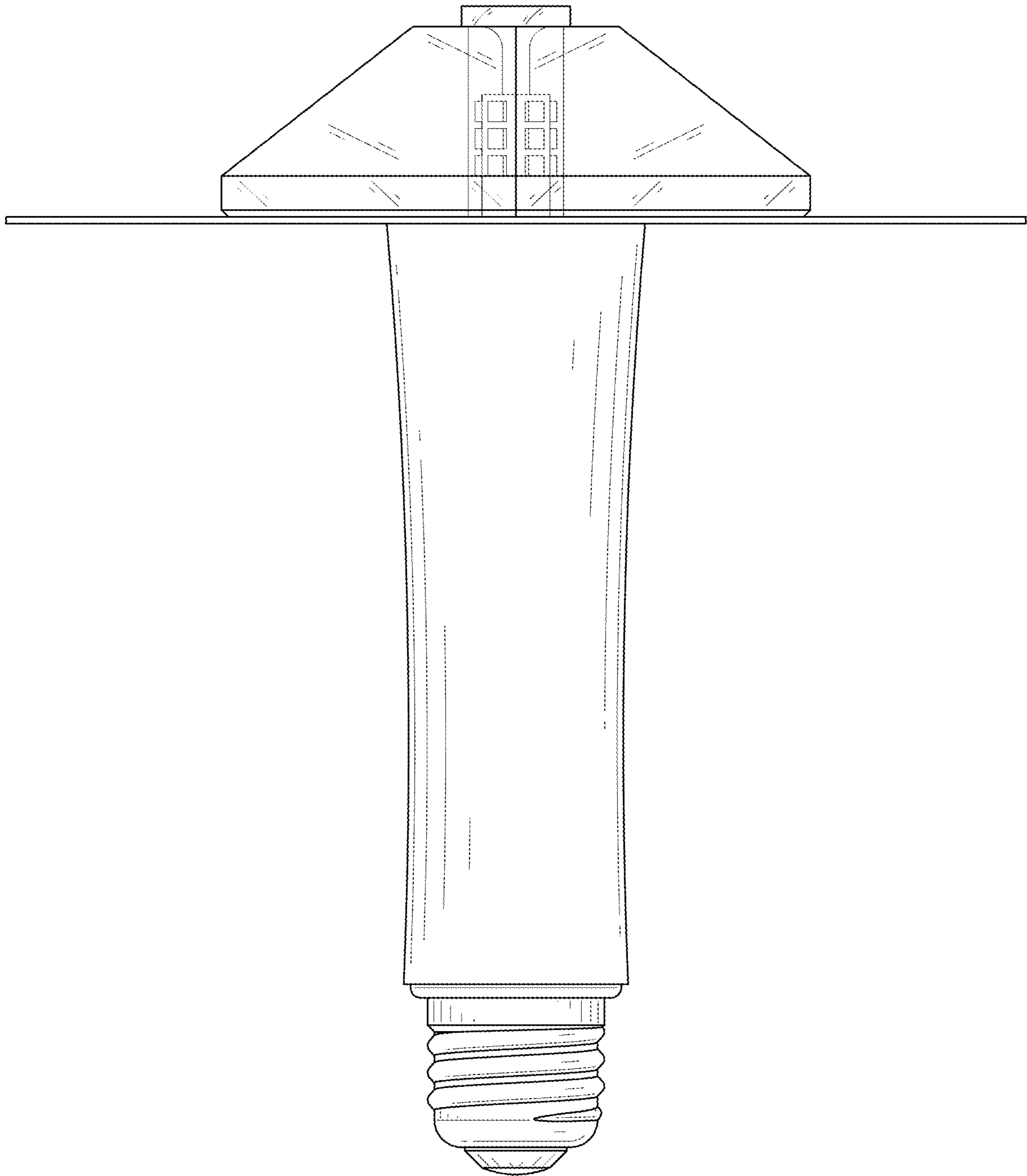


FIG. 14

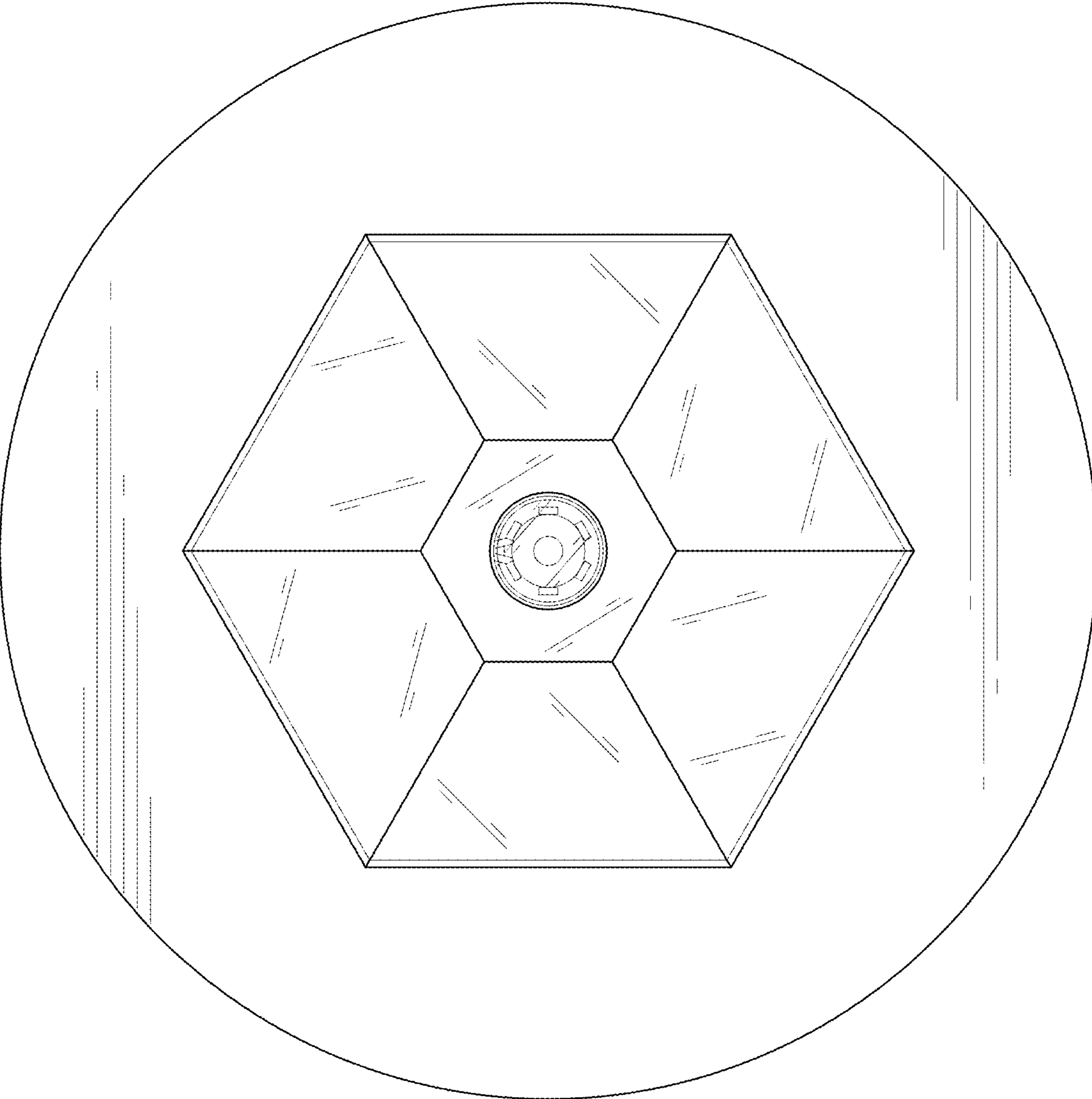


FIG. 15



FIG. 16