



US00D897006S

(12) **United States Design Patent**  
**Hu**

(10) **Patent No.:** **US D897,006 S**

(45) **Date of Patent:** **\*\* Sep. 22, 2020**

(54) **LAMP BULB**

*Primary Examiner* — Marcus A Jackson

(71) Applicant: **ZHEJIANG PUJING  
PHOTOELECTRIC TECHNOLOGY  
CO., LTD.**, Pujiang (CN)

(57) **CLAIM**

The ornamental design for a lamp bulb, as shown and described.

(72) Inventor: **Tingsong Hu**, Pujiang (CN)

(\*\*) Term: **15 Years**

**DESCRIPTION**

(21) Appl. No.: **29/697,165**

(22) Filed: **Jul. 4, 2019**

(51) **LOC (12) Cl.** ..... **26-04**

(52) **U.S. Cl.**  
USPC ..... **D26/4**

(58) **Field of Classification Search**

USPC ..... D26/1-4  
CPC ..... H01R 5/00; H01R 13/46; H01R 13/514;  
H01R 31/048; H01R 31/04; H01J 5/00;  
H01J 5/16; H01J 1/02; H01J 15/00; H01J  
5/48; H01J 5/50; H01J 19/54; F21V 5/00;  
F21K 9/00; F21K 13/00

See application file for complete search history.

FIG. 1 is a first perspective view of a first embodiment of a lamp bulb showing my design;

FIG. 2 is a second perspective view of the first embodiment thereof;

FIG. 3 is a front view of the first embodiment thereof;

FIG. 4 is a back view of the first embodiment thereof;

FIG. 5 is a left side view of the first embodiment thereof;

FIG. 6 is a right side view of the first embodiment thereof;

FIG. 7 is a top view of the first embodiment thereof;

FIG. 8 is a bottom view of the first embodiment thereof;

FIG. 9 is a first perspective view of a second embodiment of a lamp bulb showing my design;

FIG. 10 is a second perspective view of the second embodiment thereof;

FIG. 11 is a front view of the second embodiment thereof;

FIG. 12 is a back view of the second embodiment thereof;

FIG. 13 is a left side view of the second embodiment thereof;

FIG. 14 is a right side view of the second embodiment thereof;

FIG. 15 is a top view of the second embodiment thereof; and,

FIG. 16 is a bottom view of the second embodiment thereof.

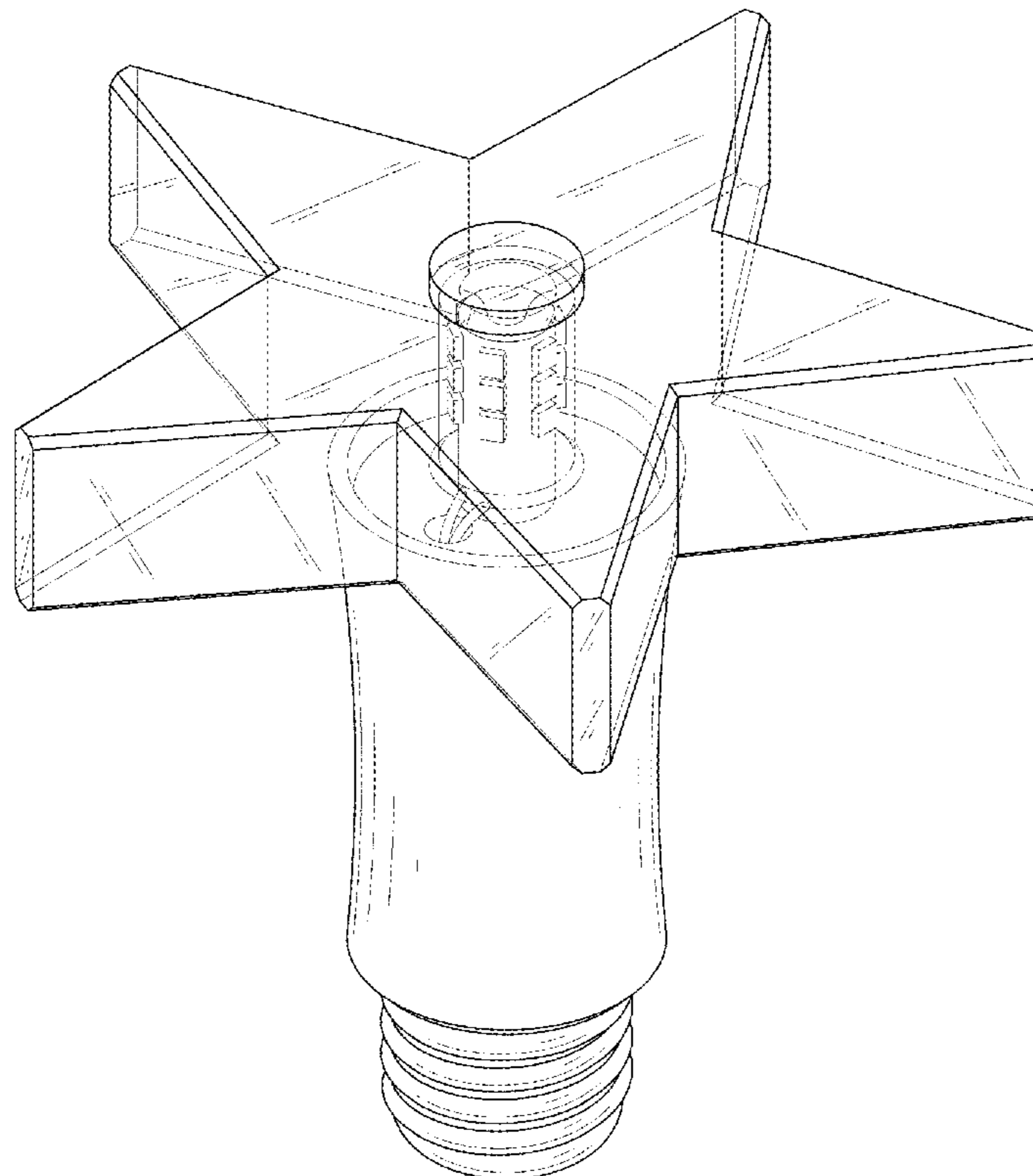
(56) **References Cited**

**U.S. PATENT DOCUMENTS**

D94,889 S *	3/1935	Graf	.....	D26/4
D546,982 S *	7/2007	Van Dyn Hoven	.....	D26/4
D565,751 S *	4/2008	Van Dyn Hoven	.....	D26/4
D580,563 S *	11/2008	Van Dyn Hoven	.....	D26/4
D861,927 S *	10/2019	Li	.....	D26/4

\* cited by examiner

**1 Claim, 16 Drawing Sheets**



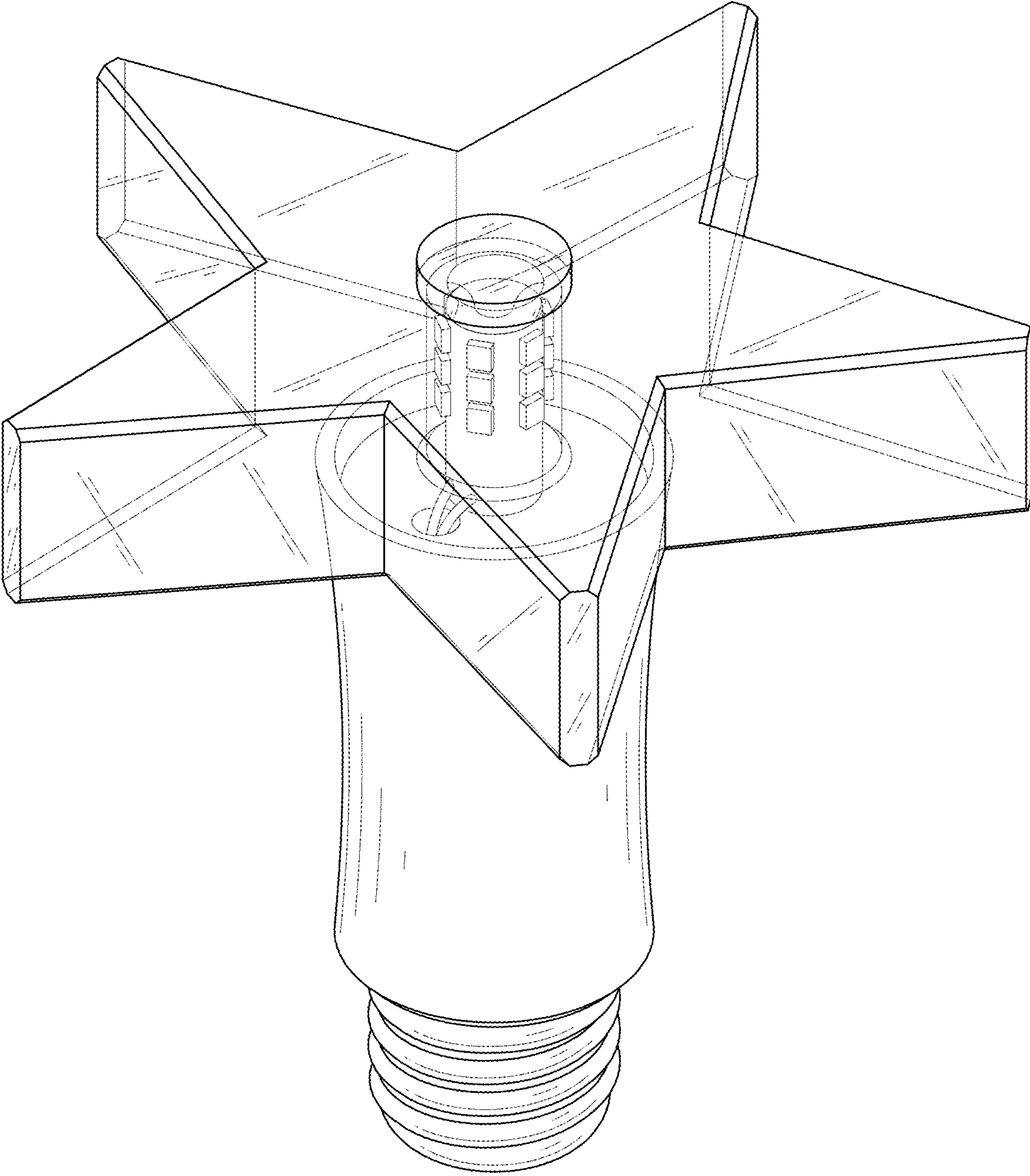


FIG. 1

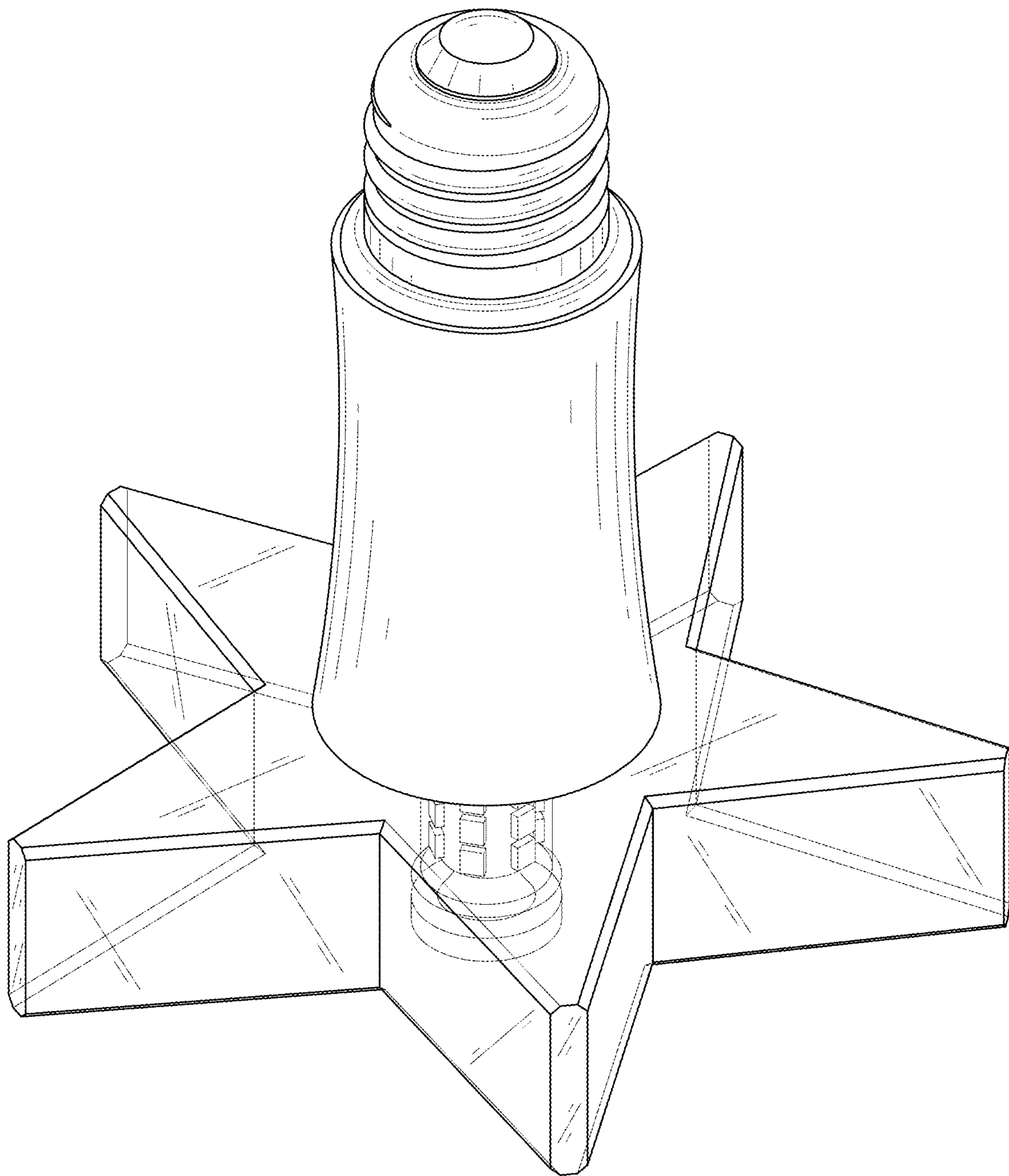


FIG. 2

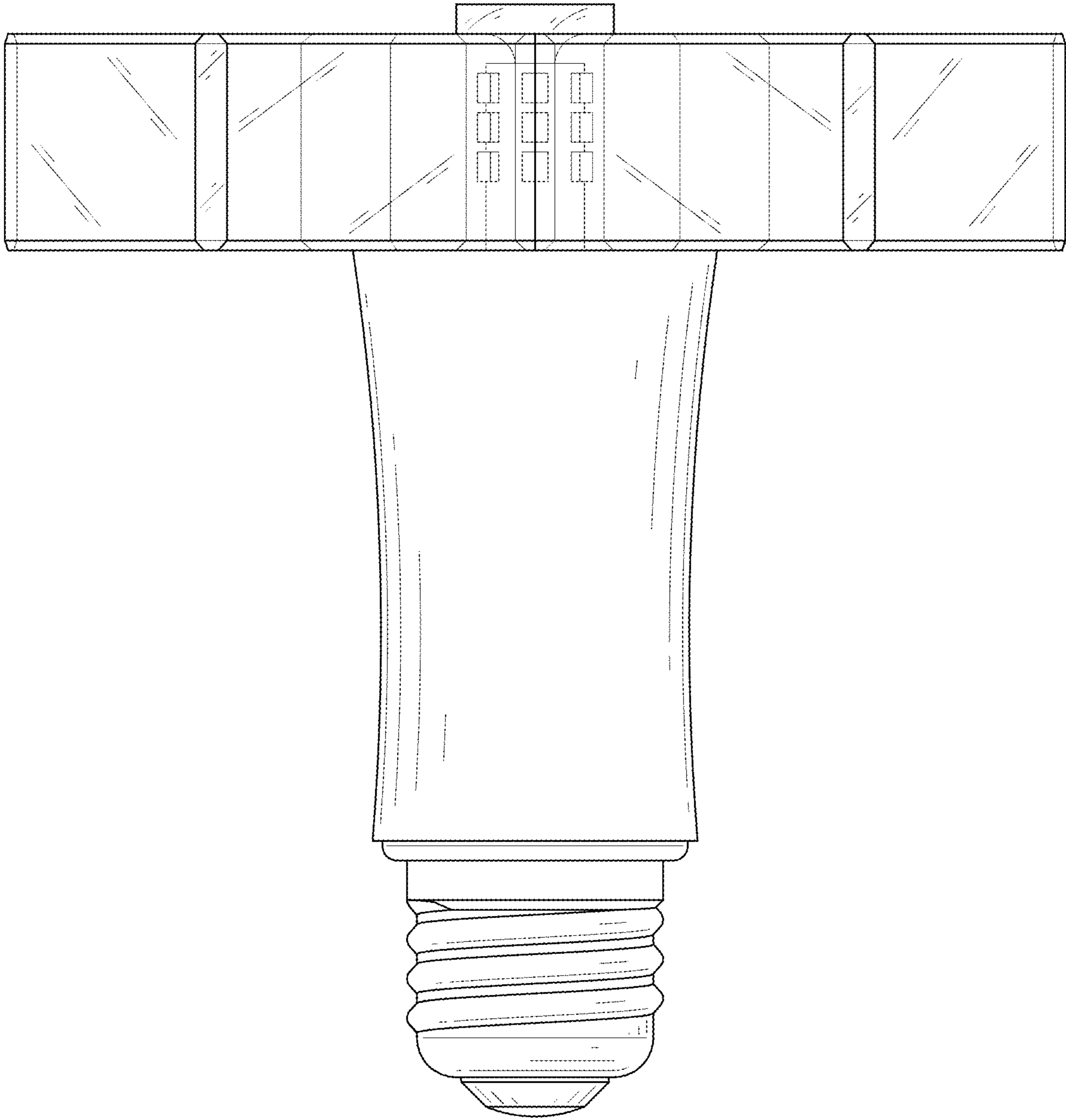


FIG. 3

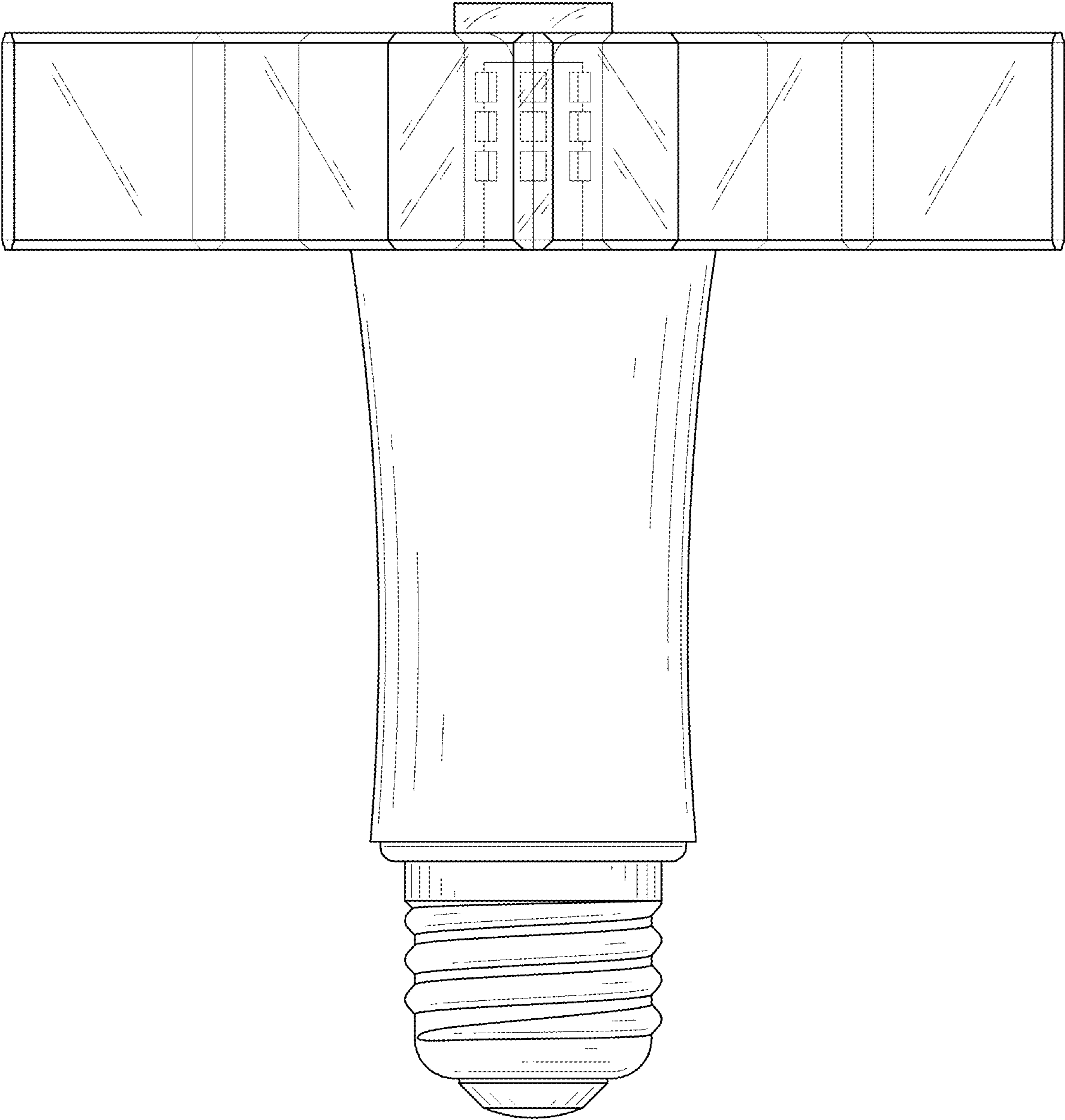


FIG. 4

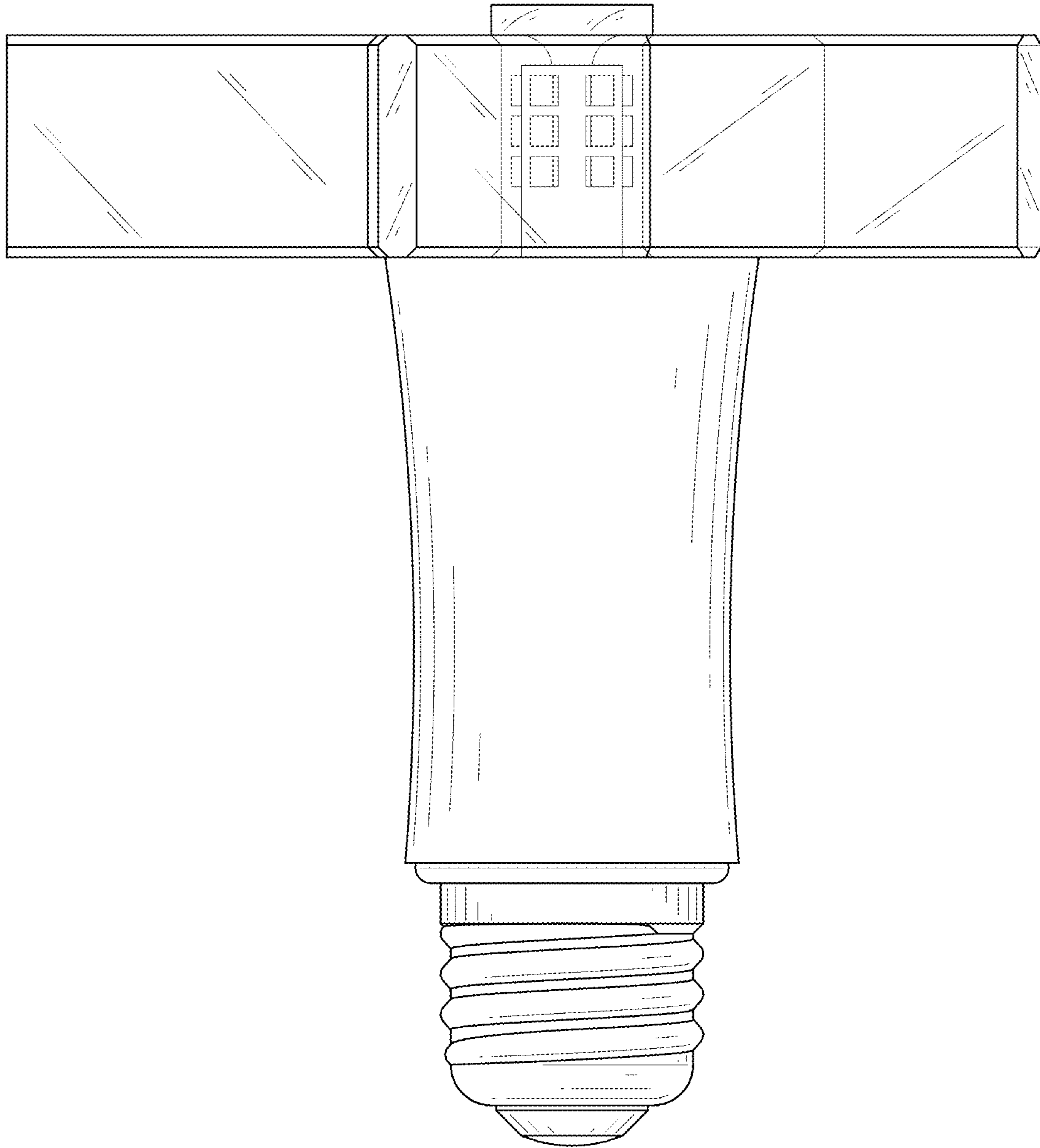


FIG. 5

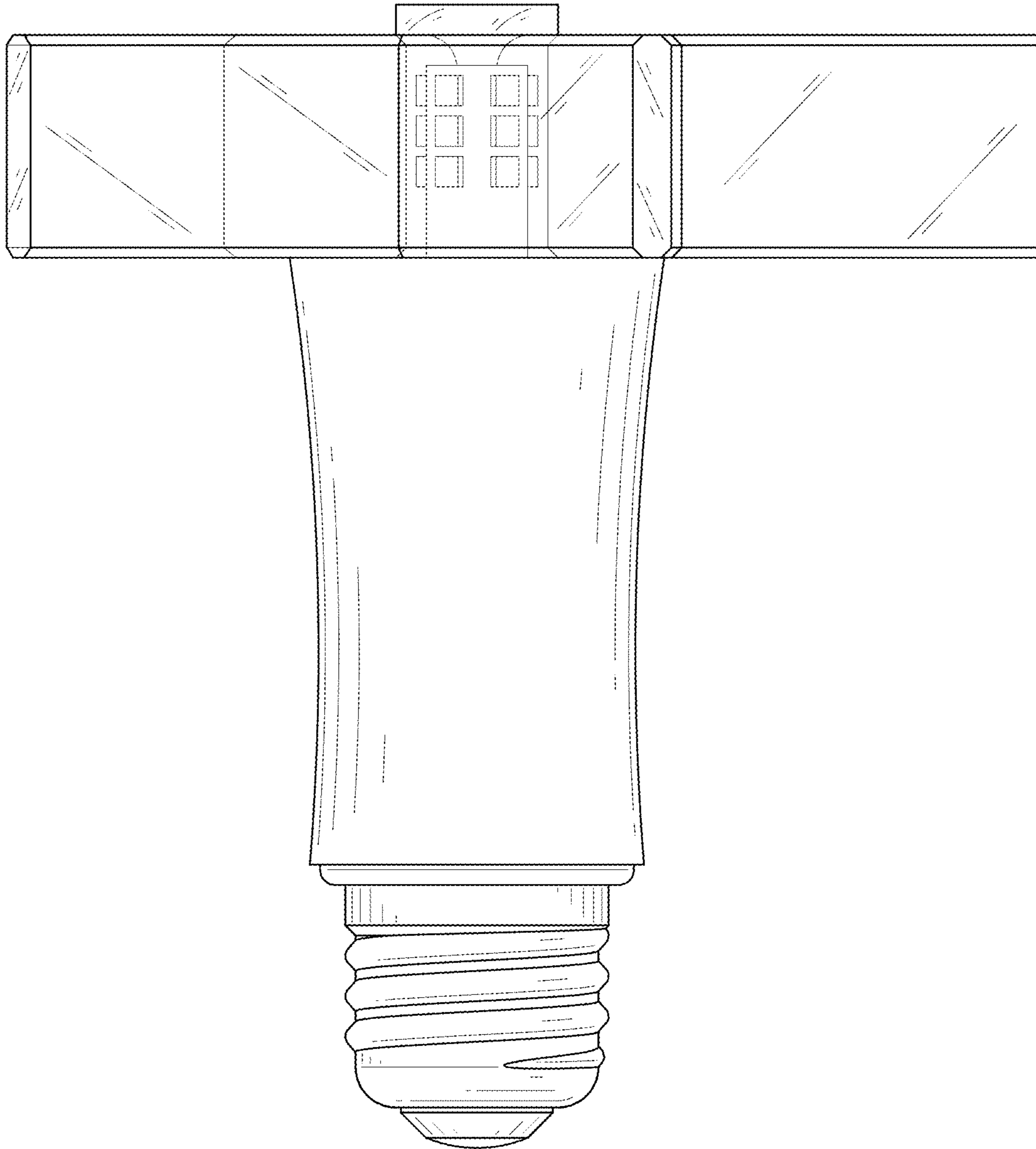


FIG. 6

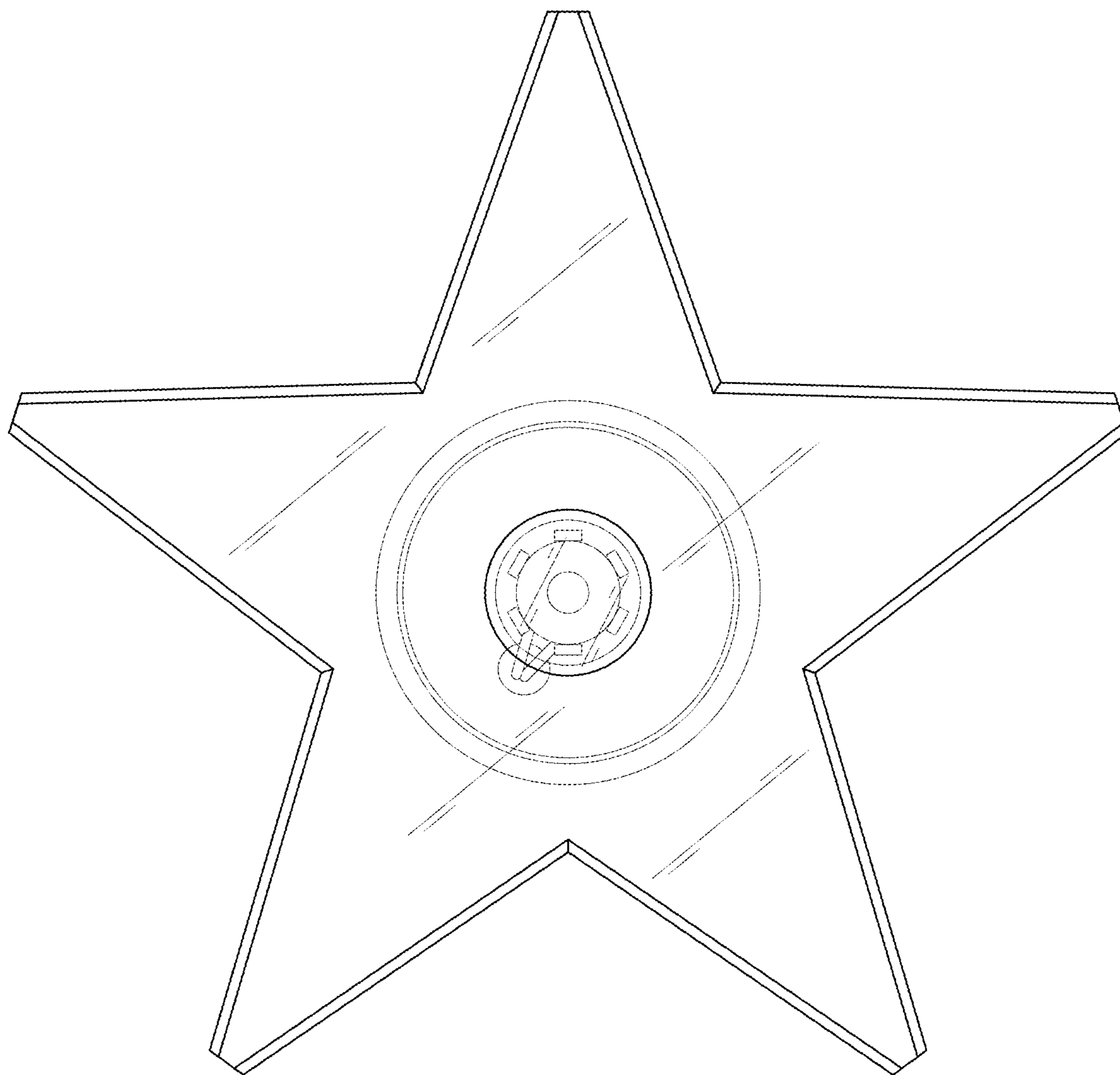


FIG. 7



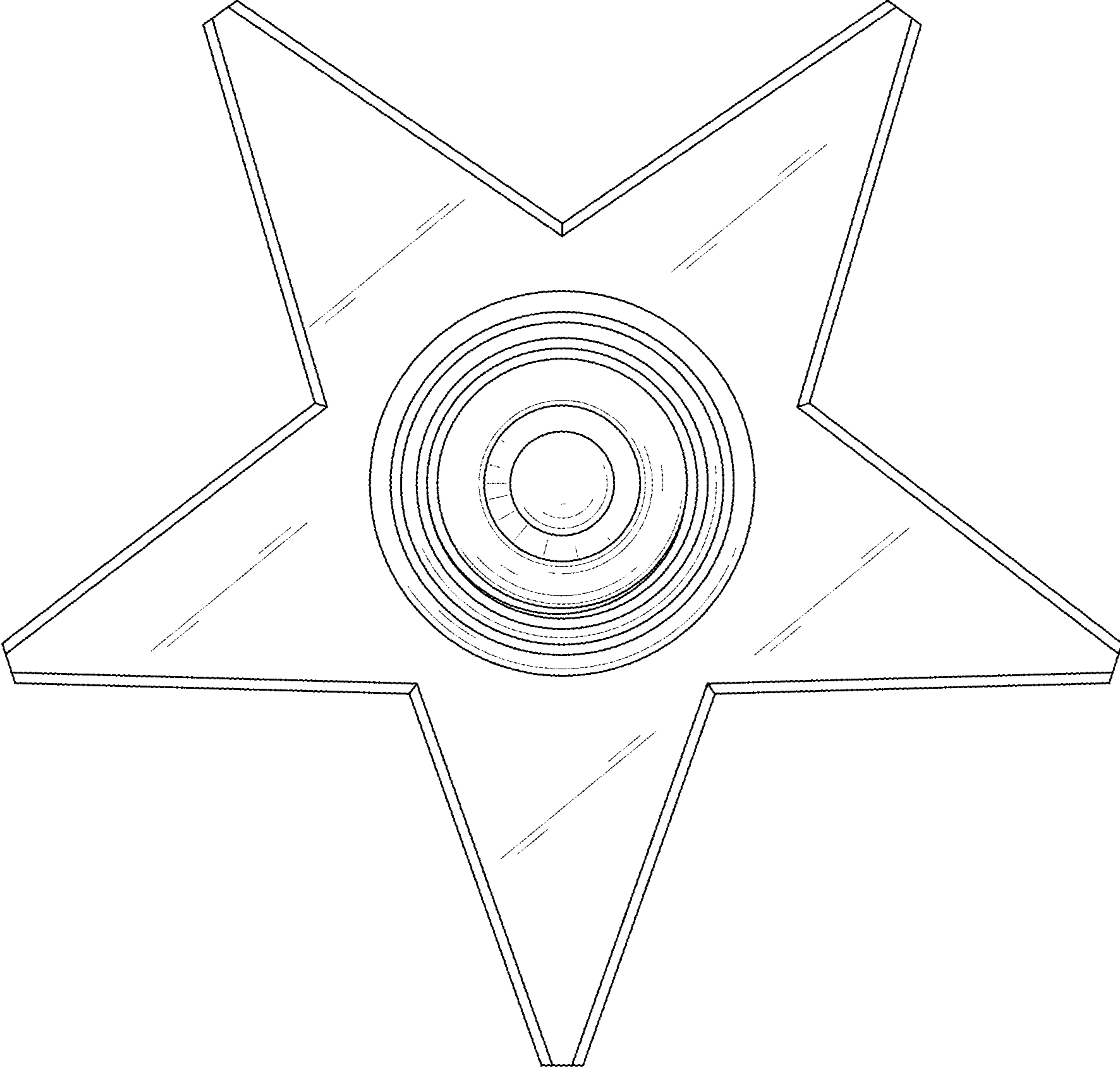


FIG. 8

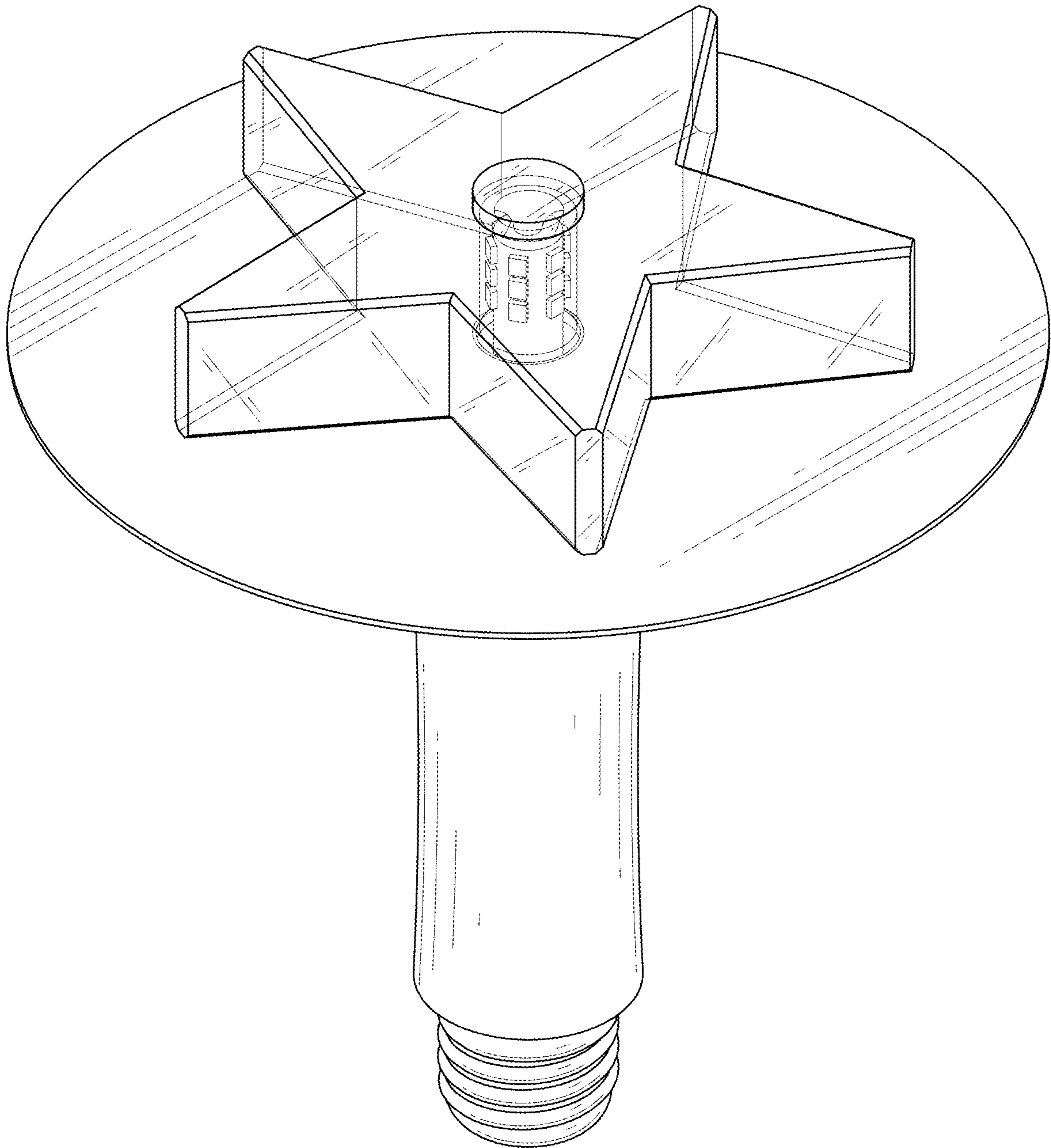


FIG. 9

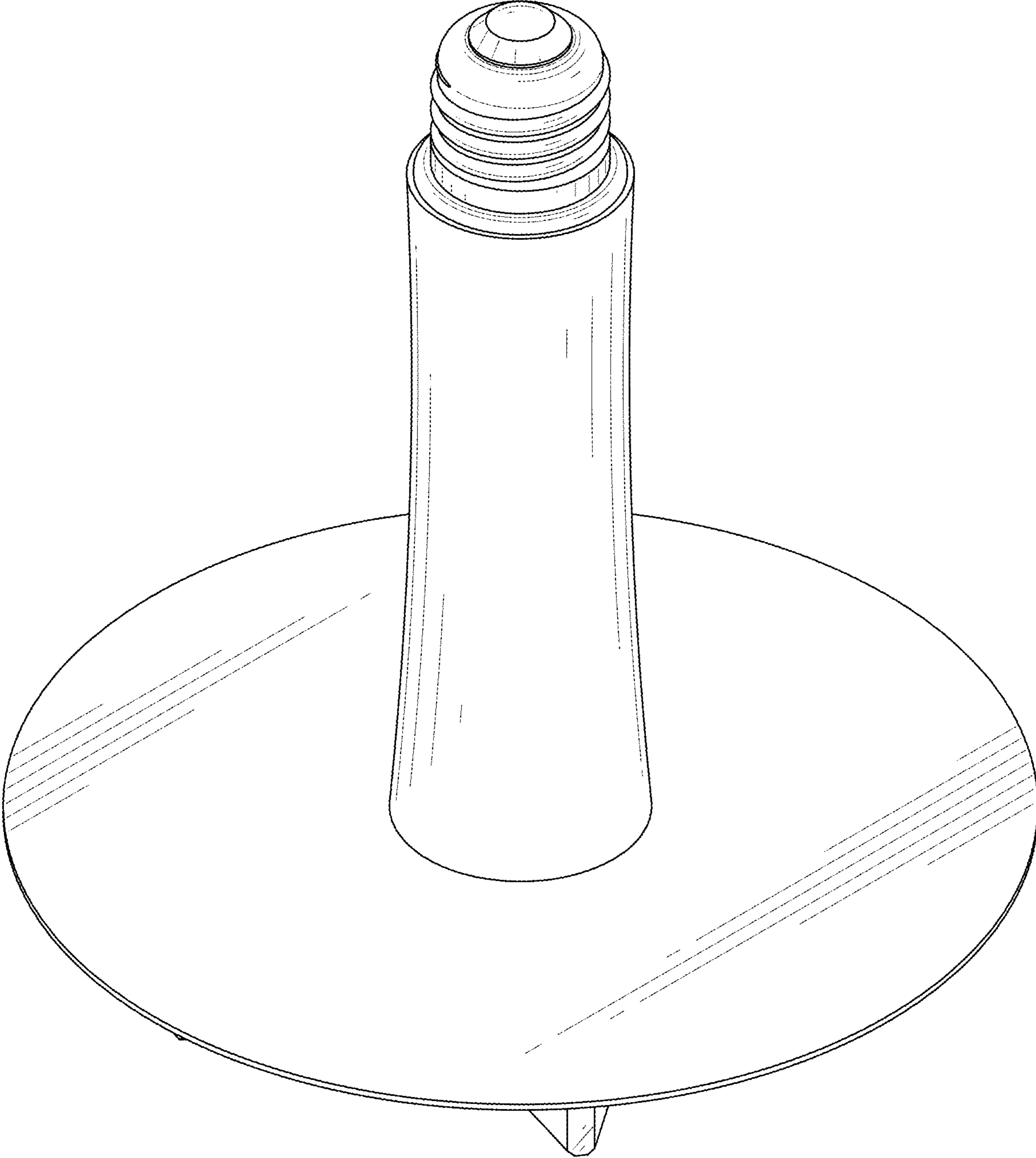


FIG. 10

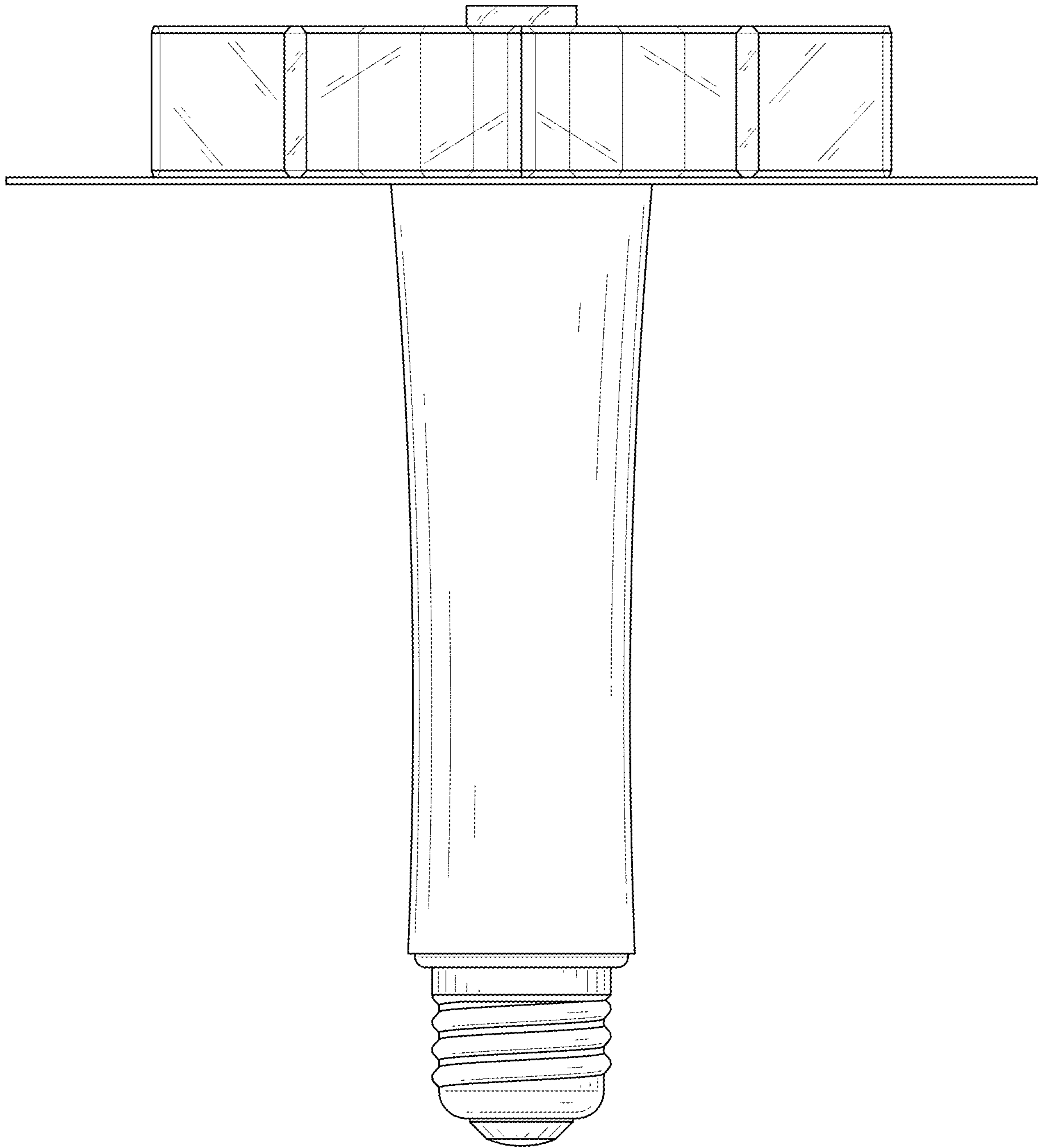


FIG. 11

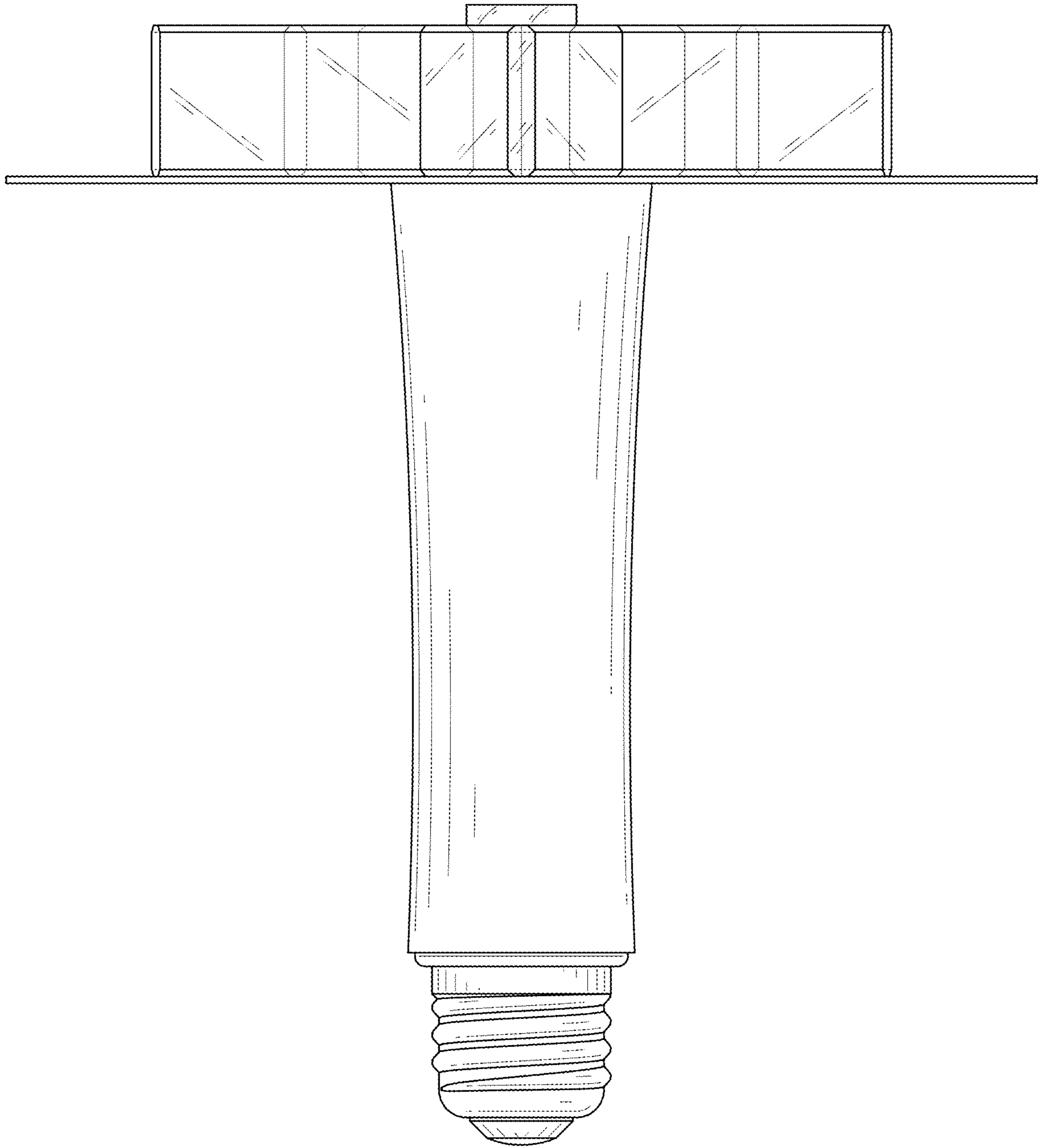


FIG. 12

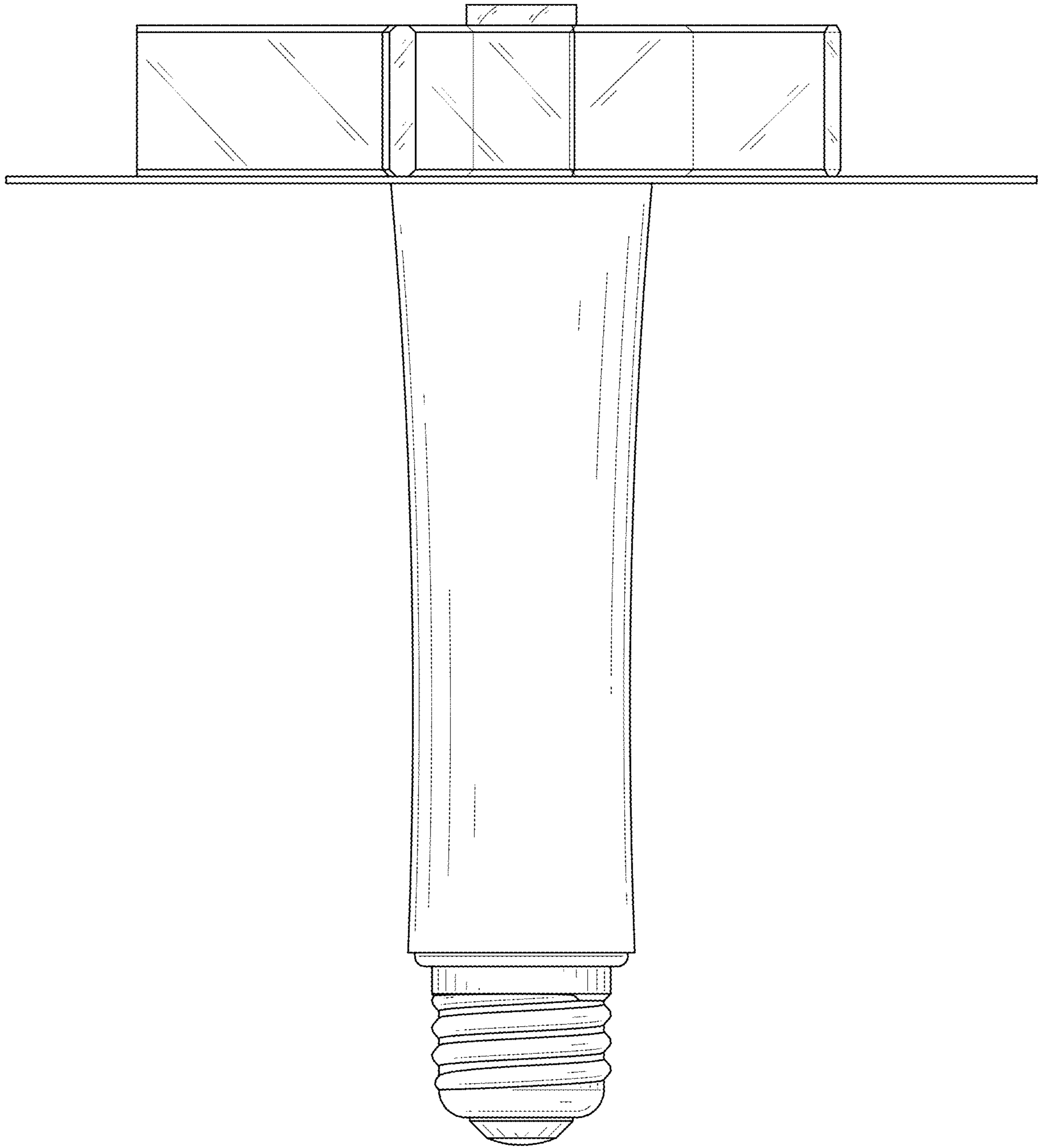


FIG. 13

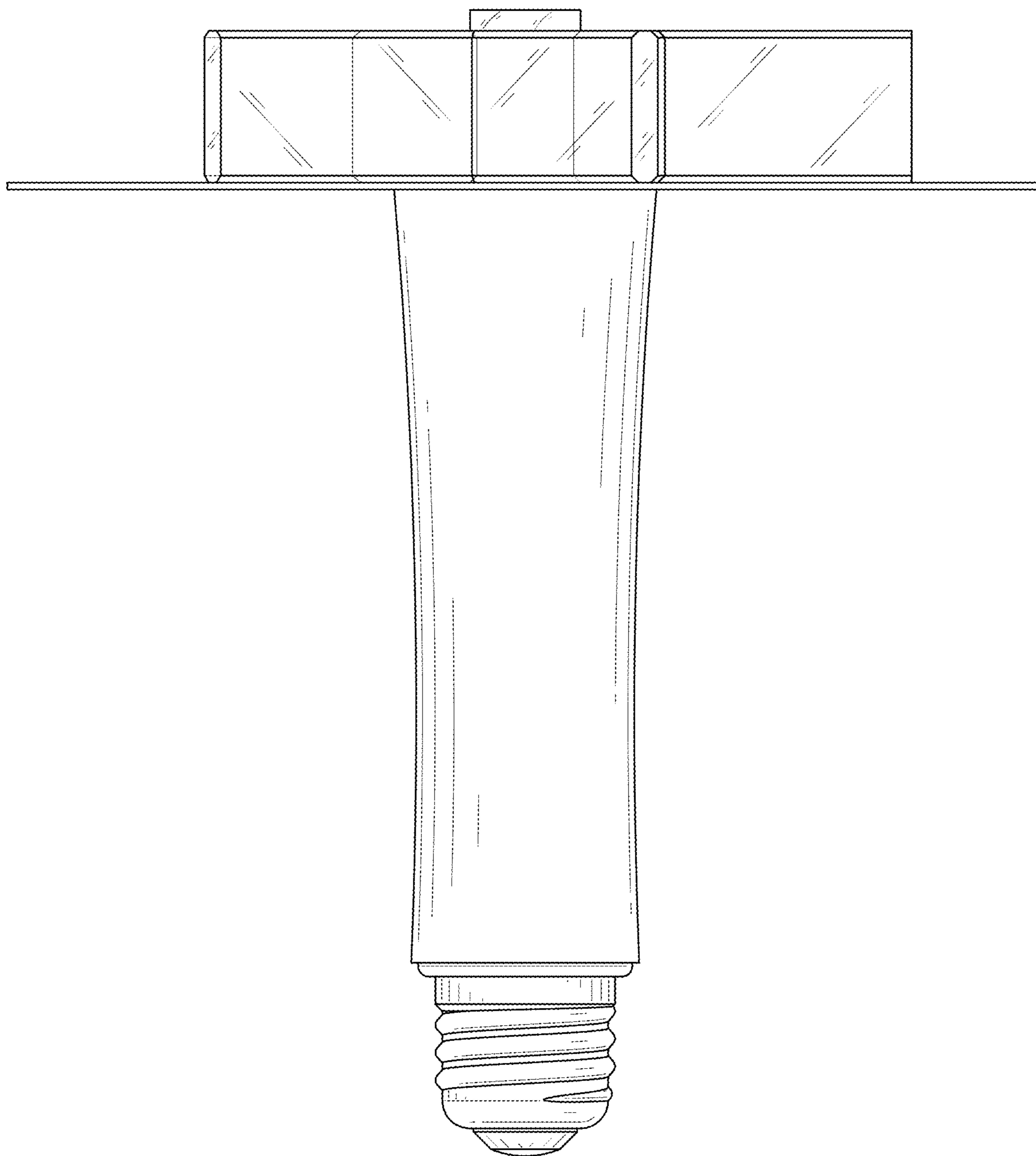


FIG. 14

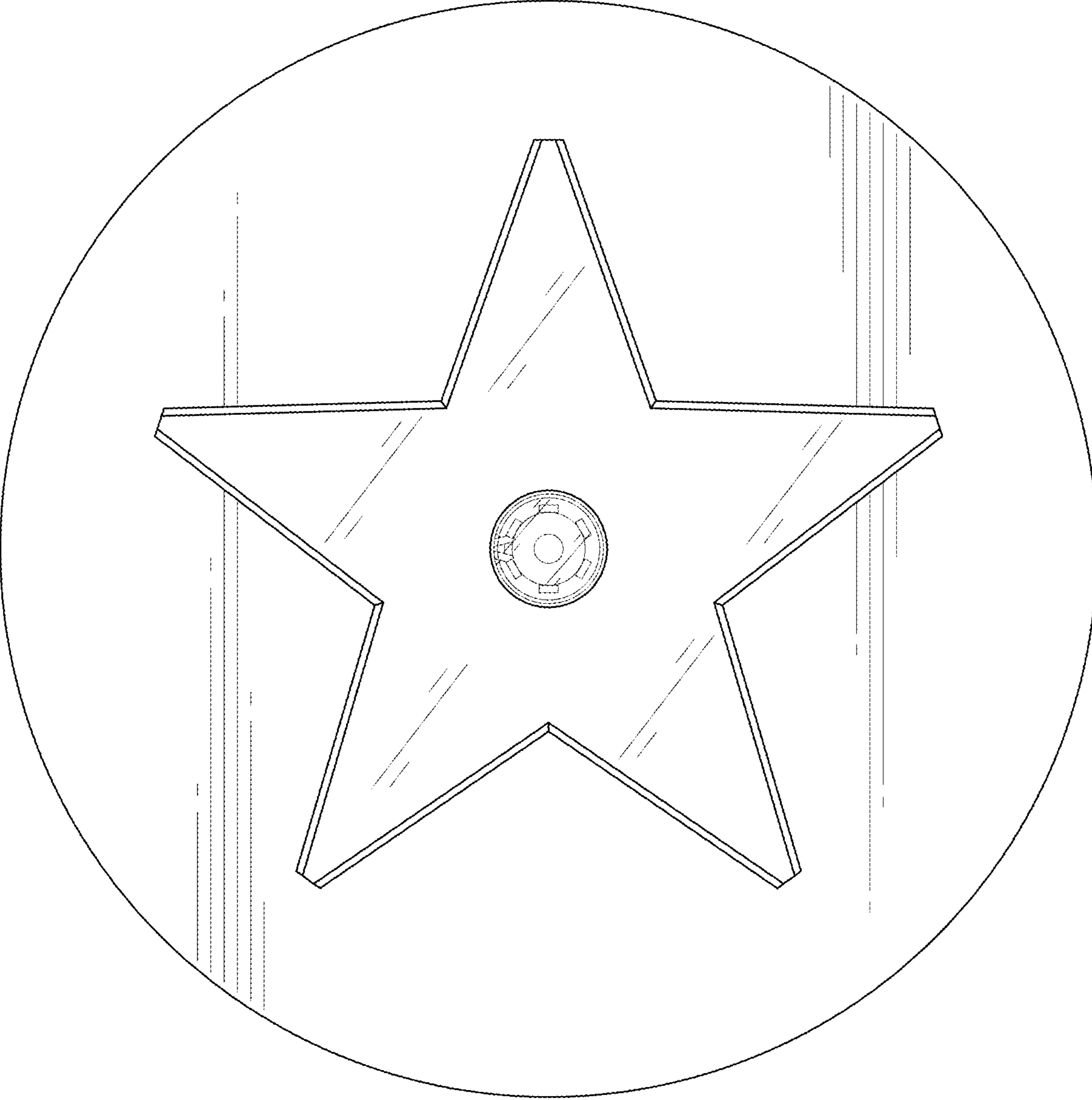


FIG. 15





FIG. 16