

US00D896996S

(12) **United States Design Patent**
Bouchard et al.

(10) **Patent No.:** **US D896,996 S**

(45) **Date of Patent:** **** Sep. 22, 2020**

(54) **INTERLOCKING CONSTRUCTION BLOCK**

(71) Applicants: **Gary Bouchard**, Lexington, KY (US);
Erik Snyder, Murfreesboro, TN (US)

(72) Inventors: **Gary Bouchard**, Lexington, KY (US);
Erik Snyder, Murfreesboro, TN (US)

(**) Term: **15 Years**

(21) Appl. No.: **29/677,252**

(22) Filed: **Jan. 18, 2019**

(51) **LOC (12) Cl.** **25-01**

(52) **U.S. Cl.**
USPC **D25/113**

(58) **Field of Classification Search**
USPC D21/484-491, 499-504; D25/102,
D25/112-118, 125, 136
CPC E04B 32/32; E04B 32/56; E04B 32/70;
E04B 32/702; E04B 2002/0208; E21F
17/103

See application file for complete search history.

(56) **References Cited**

U.S. PATENT DOCUMENTS

2,749,739 A * 6/1956 Zagray B28B 7/0079
52/286
D305,938 S * 2/1990 Risi D25/113

D403,437 S * 12/1998 Risi D25/113
D403,785 S * 1/1999 Risi D25/113
6,178,715 B1 * 1/2001 Pacitto E04C 1/395
405/264
D512,162 S * 11/2005 Risi D25/113
D516,734 S * 3/2006 Keys D25/113
10,329,911 B2 * 6/2019 Skidmore E21F 17/103

* cited by examiner

Primary Examiner — Leanne Was-Englehart

(74) *Attorney, Agent, or Firm* — K&L Gates LLP

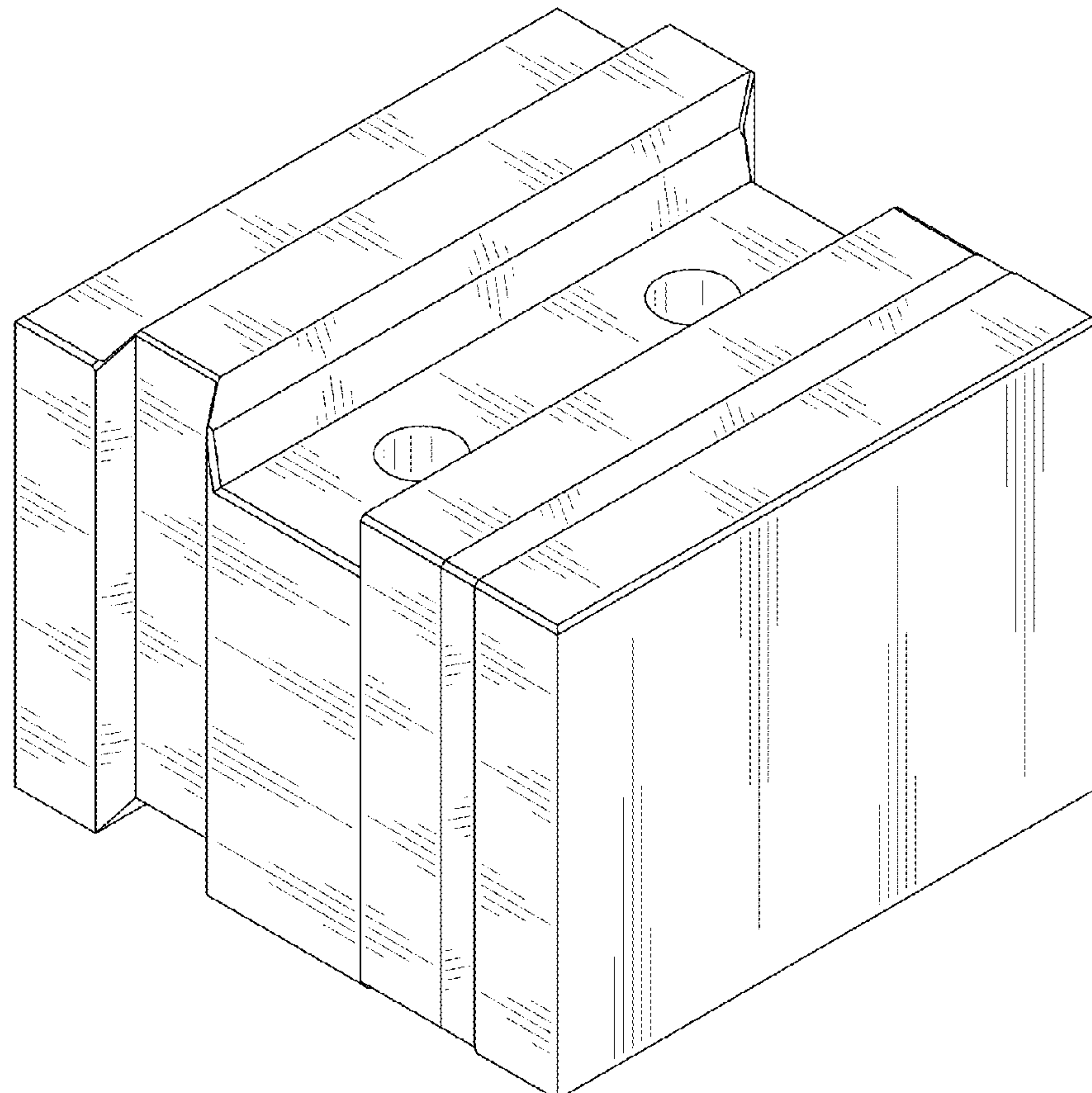
(57) **CLAIM**

The ornamental design for an interlocking construction block, as shown and described.

DESCRIPTION

FIG. 1 is an isometric view of an interlocking construction block showing our new design;
FIG. 2 is a top view thereof;
FIG. 3 is a bottom view thereof;
FIG. 4 is a front view thereof; and,
FIG. 5 is a back view thereof.

1 Claim, 3 Drawing Sheets



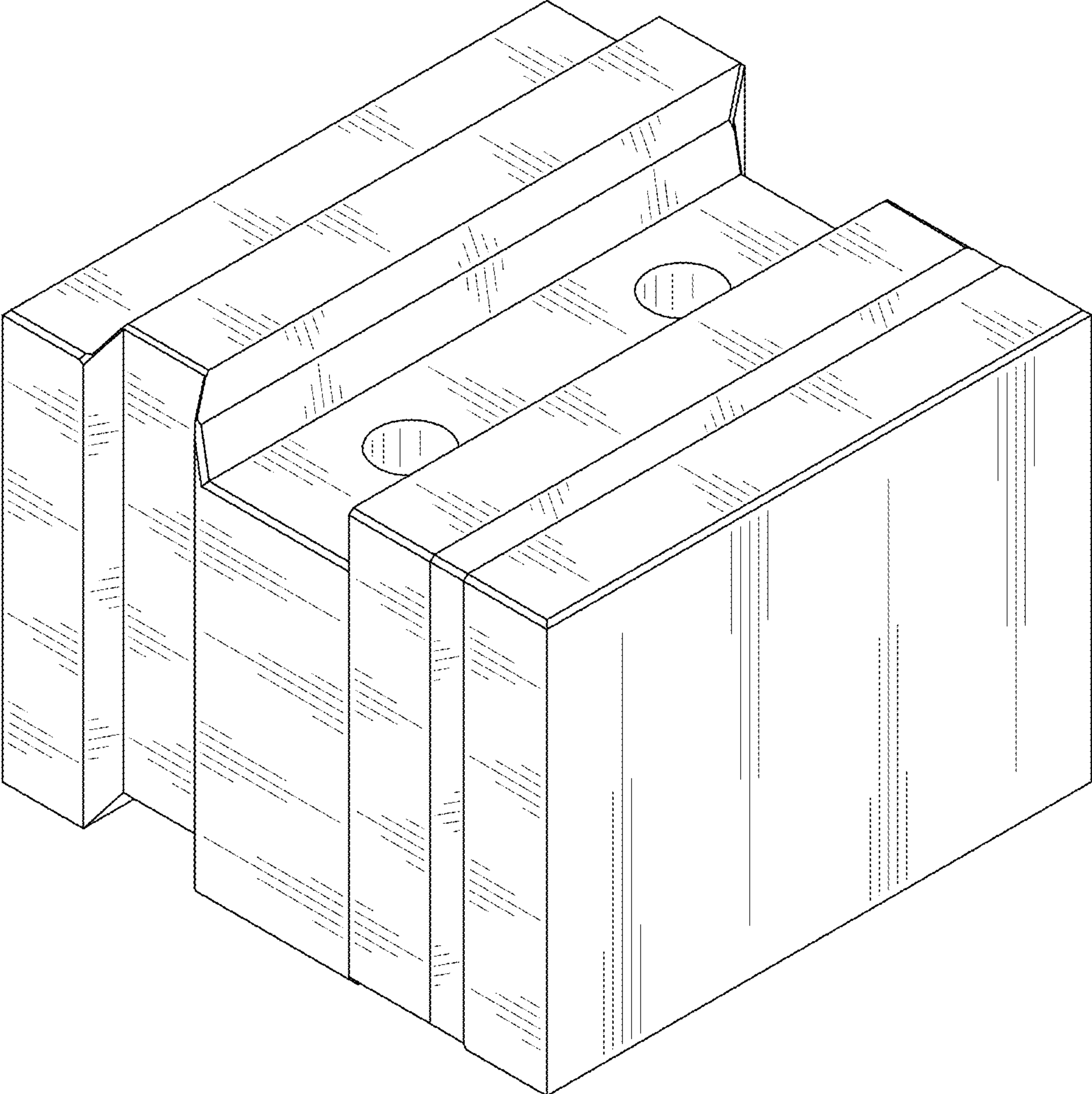


FIG. 1

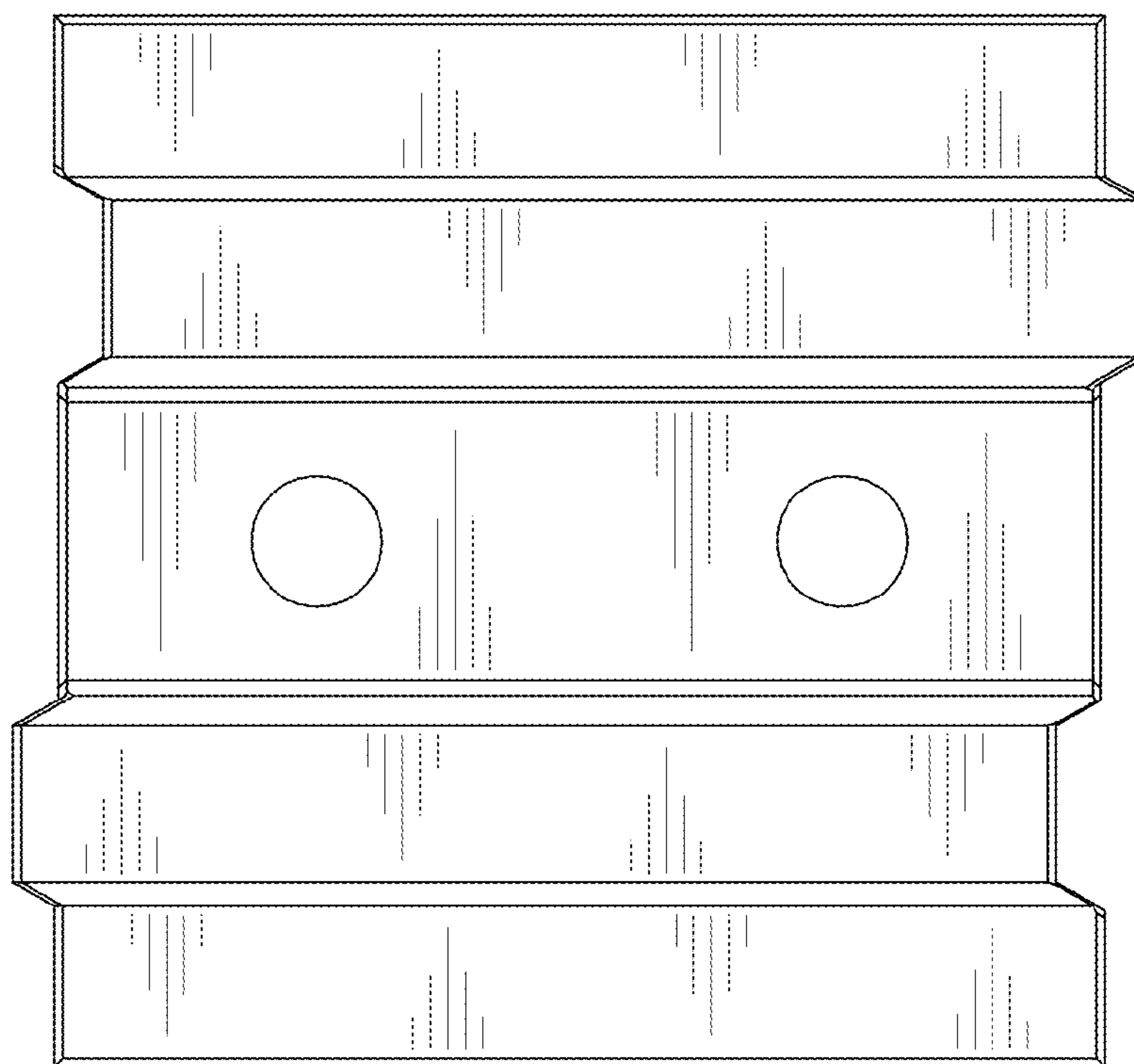


FIG. 2

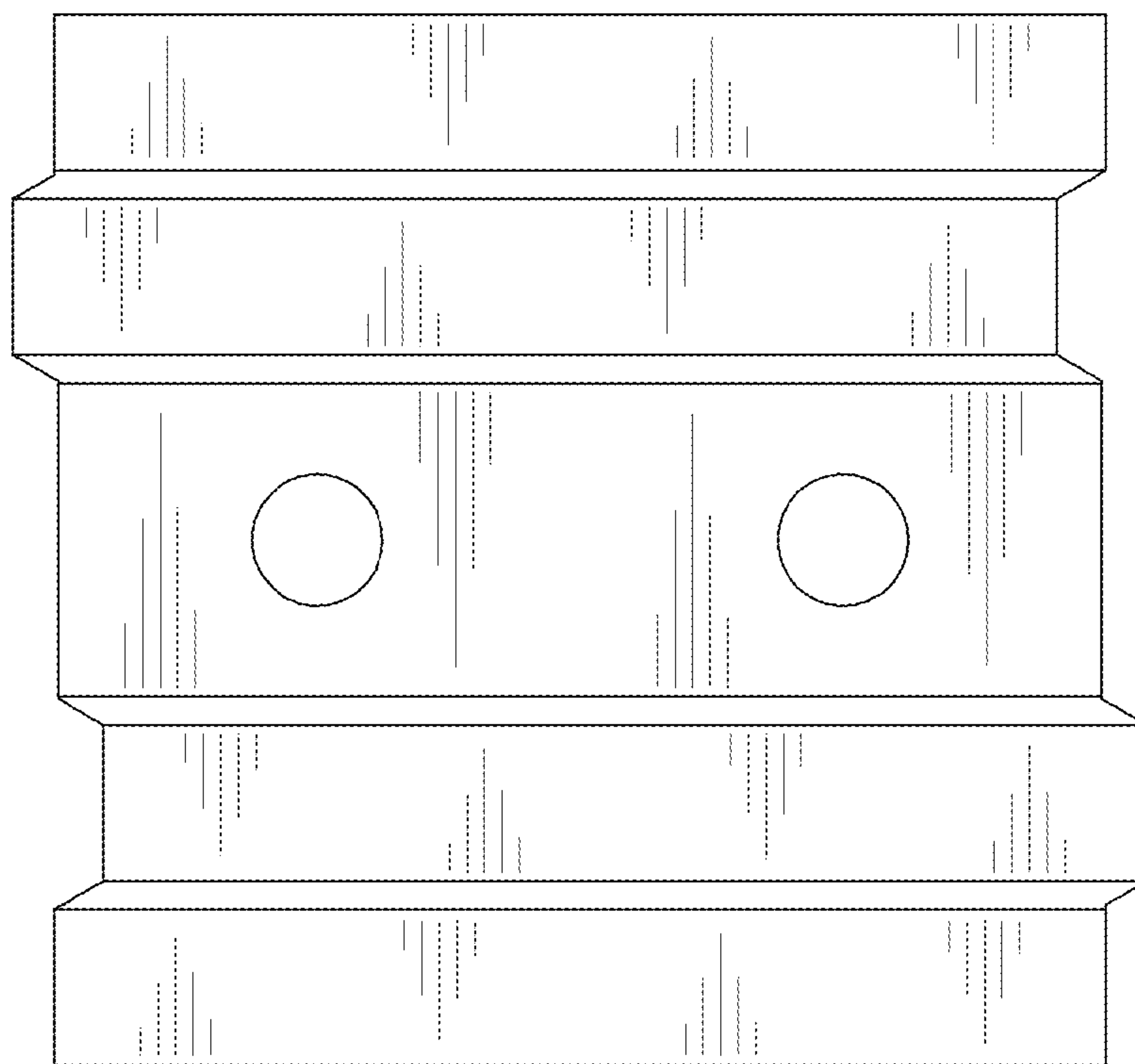


FIG. 3

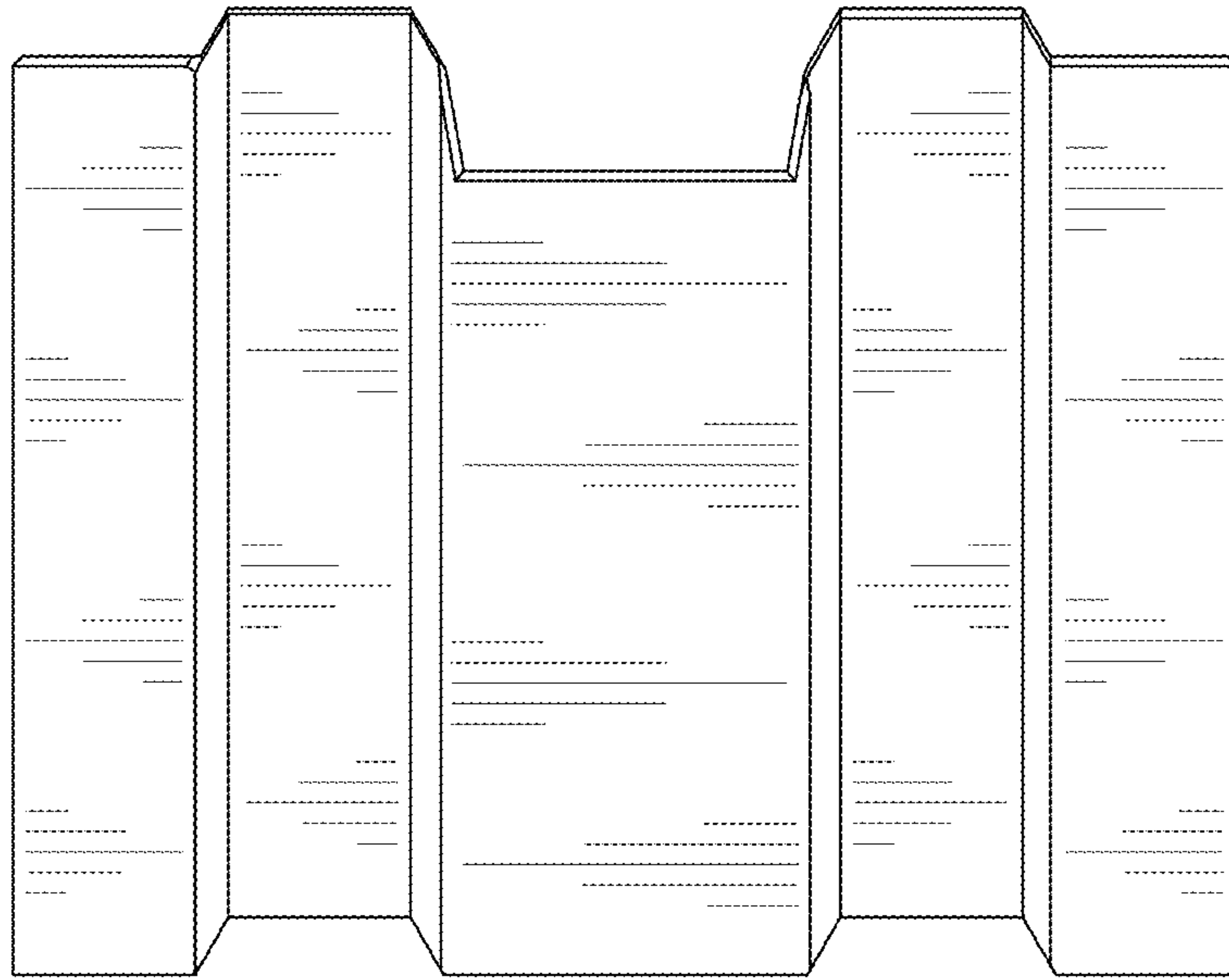


FIG. 4

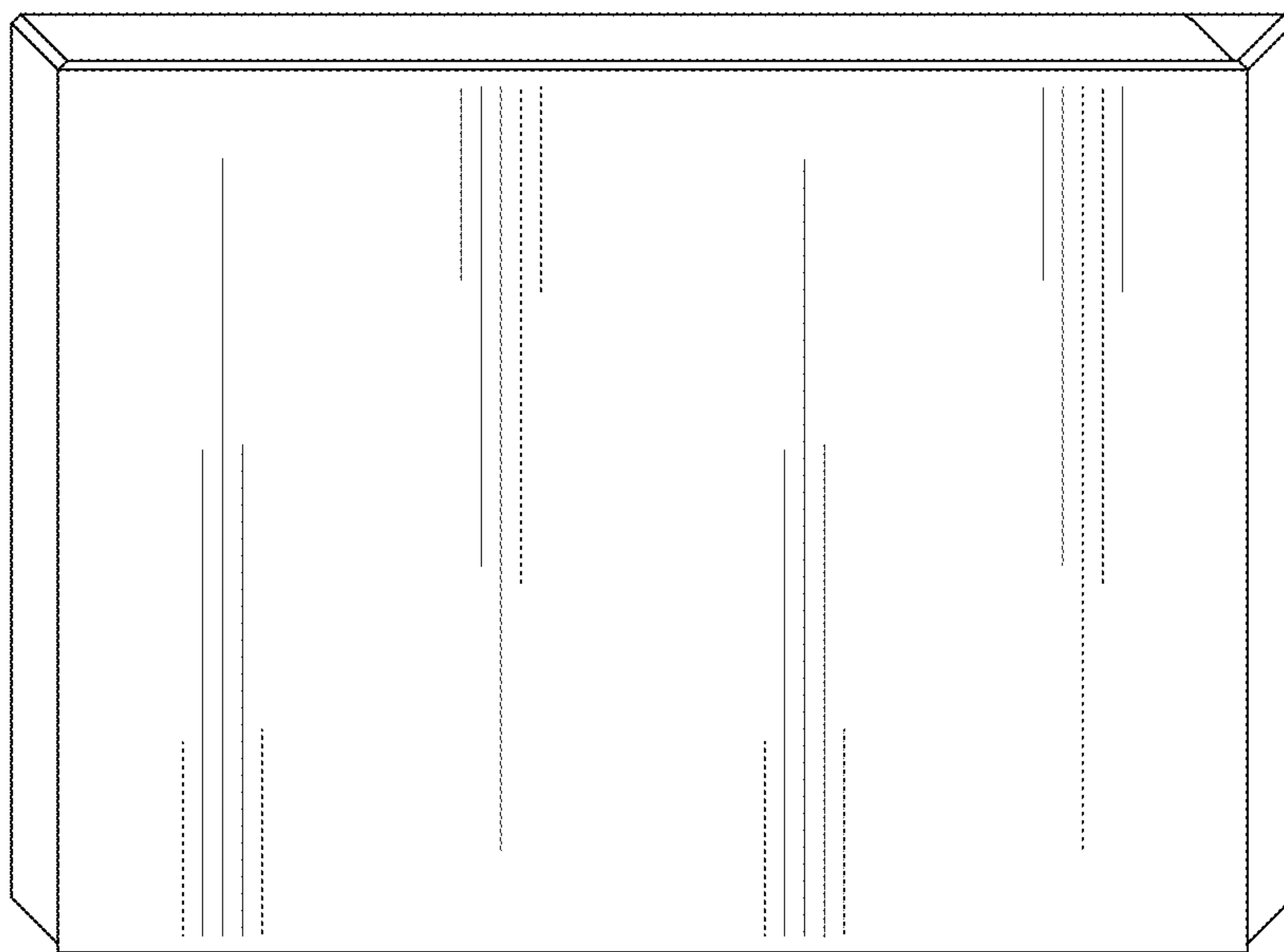


FIG. 5