



US00D896991S

(12) **United States Design Patent** (10) **Patent No.:** **US D896,991 S**
Clark, Jr. et al. (45) **Date of Patent:** **** Sep. 22, 2020**

- (54) **QUICK ACCESS LADDER**
- (71) Applicants: **Floyd E. Clark, Jr.**, Camden, NC (US);
Jamie LaCombe, Camden, NC (US)
- (72) Inventors: **Floyd E. Clark, Jr.**, Camden, NC (US);
Jamie LaCombe, Camden, NC (US)
- (**) Term: **15 Years**
- (21) Appl. No.: **29/676,385**
- (22) Filed: **Jan. 10, 2019**
- (51) **LOC (12) Cl.** **25-04**
- (52) **U.S. Cl.**
USPC **D25/64**
- (58) **Field of Classification Search**
USPC D25/62-69; 182/206, 198, 196, 156
CPC ... E06C 7/48; E06C 7/14; E06C 7/488; E06C
7/143; E06C 1/36; E06C 7/50; E06C
7/086; E06C 7/188; E06C 7/182
See application file for complete search history.

(56) **References Cited**

U.S. PATENT DOCUMENTS

4,434,871	A *	3/1984	Niedworok	E06C 9/14 182/198
4,531,612	A *	7/1985	Sandor	E06C 9/14 182/196
5,605,205	A *	2/1997	Douglas	E06C 1/56 182/198
6,279,681	B1 *	8/2001	Dibelardino	E06C 1/525 182/198
6,382,352	B1 *	5/2002	Dowe, Sr.	A62B 5/00 182/196
6,530,455	B1 *	3/2003	Arnette	E06C 1/525 182/198

6,651,776	B2 *	11/2003	Montecer, Jr.	B63B 27/146 182/196
D497,007	S *	10/2004	Weber	D25/64
8,074,771	B2 *	12/2011	Nickelson	B63B 27/146 182/156

* cited by examiner

Primary Examiner — Gino Colan

(74) *Attorney, Agent, or Firm* — Ward & Smith, P.A.;
Ryan K. Simmons

(57) **CLAIM**

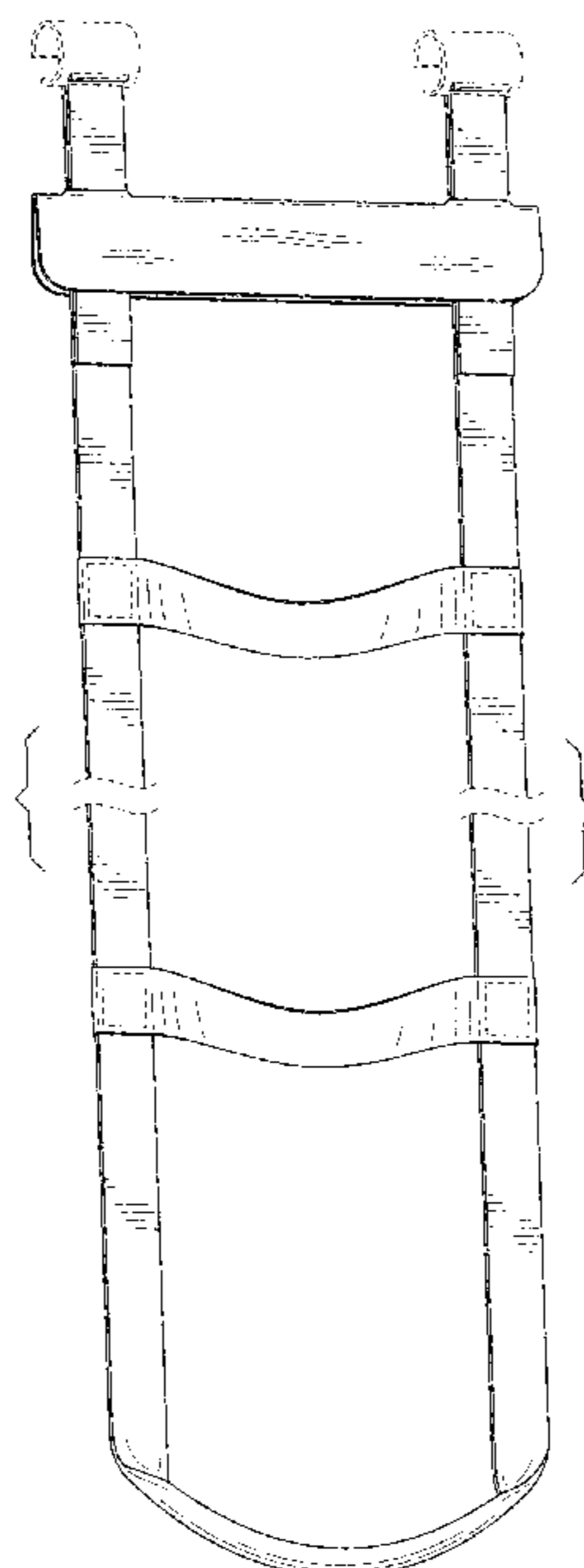
The ornamental design for a quick access ladder, as shown and described.

DESCRIPTION

FIG. 1 is a perspective view of the quick access ladder showing our new design;
 FIG. 2 is a top plan view thereof;
 FIG. 3 is bottom plan view thereof;
 FIG. 4 is a left side elevation view thereof, the right side being a mirror image;
 FIG. 5 is a front elevation view thereof;
 FIG. 6 is a rear elevation view thereof;
 FIG. 7 is another perspective view of the quick access ladder of FIG. 1 shown in a stowed configuration;
 FIG. 8 is a top plan view thereof;
 FIG. 9 is bottom plan view thereof;
 FIG. 10 is a left side elevation view thereof, the right side being a mirror image;
 FIG. 11 is a front elevation view thereof; and,
 FIG. 12 is a rear elevation view thereof.

In the Figures the broken lines are for the purpose of illustrating environment and form no part of the claimed design. The quick access ladder is shown with symbolic breaks in its length. The appearance of any portion of the article between the break lines form no part of the claimed design.

1 Claim, 8 Drawing Sheets



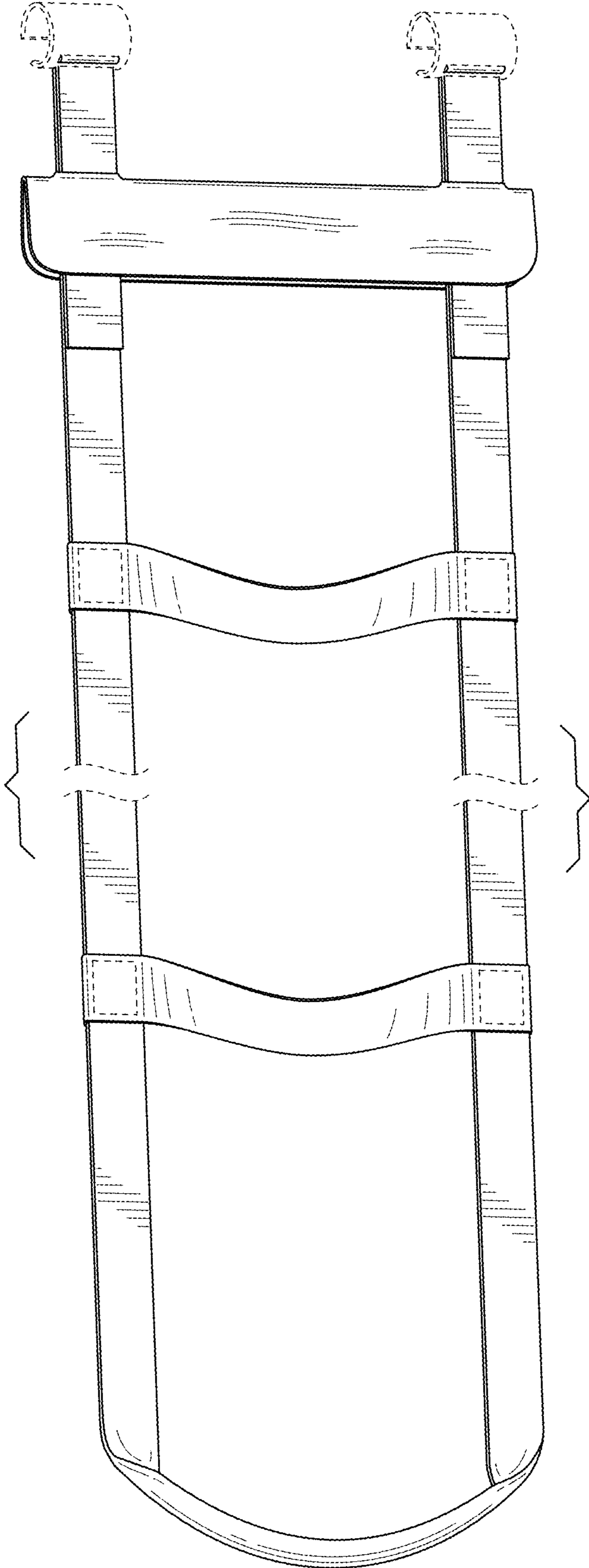


FIG. 1

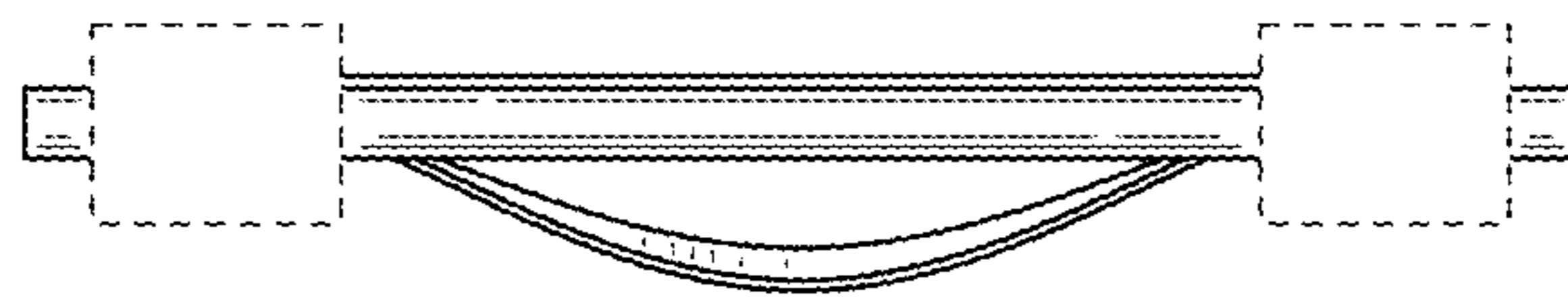


FIG. 2



FIG. 3

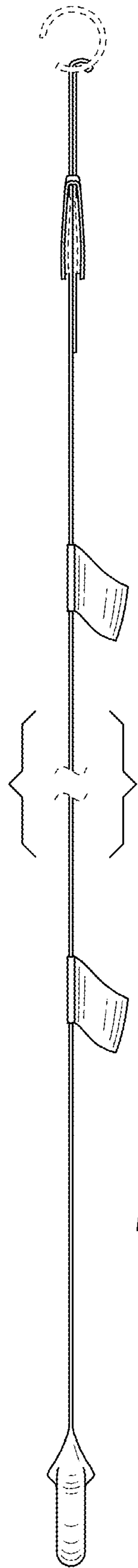


FIG. 4

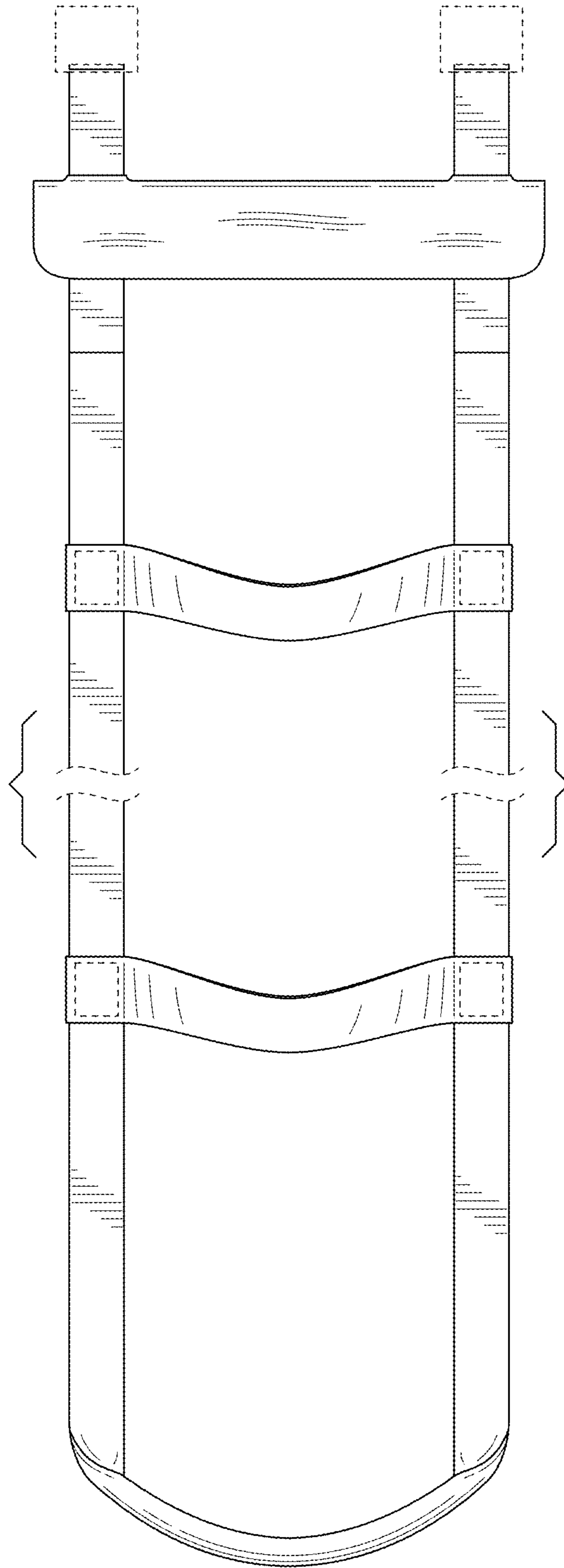


FIG. 5

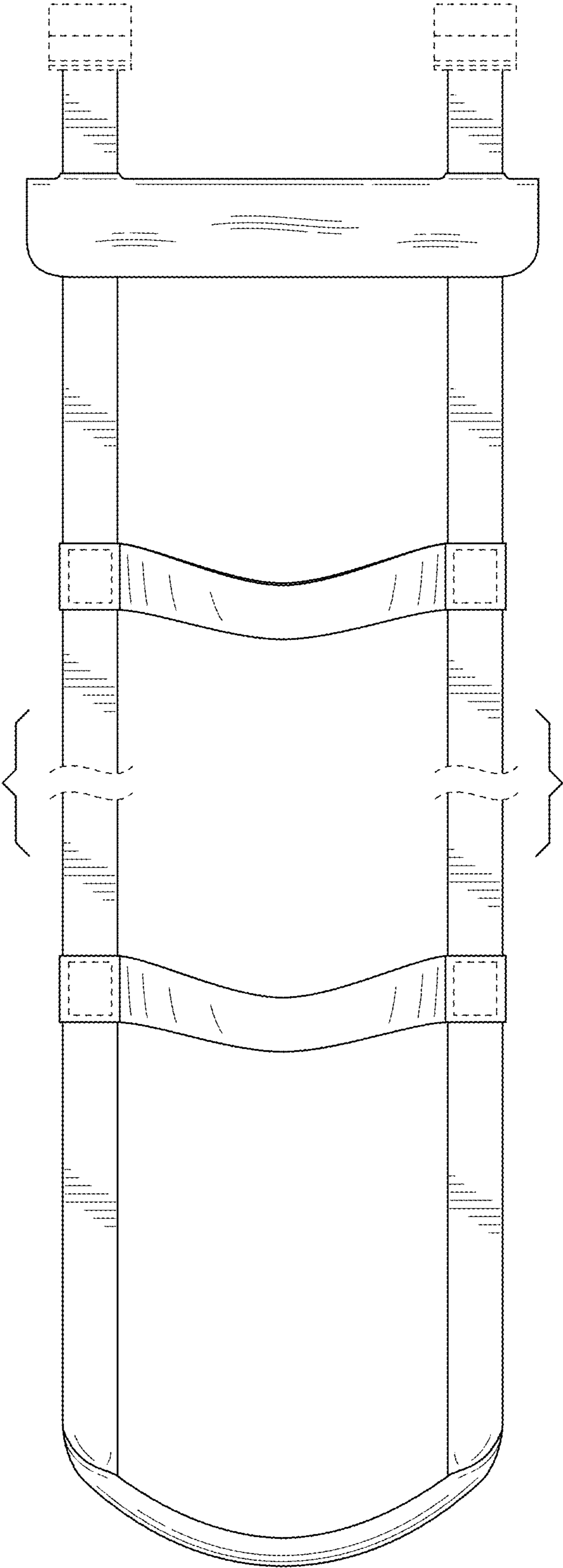


FIG. 6

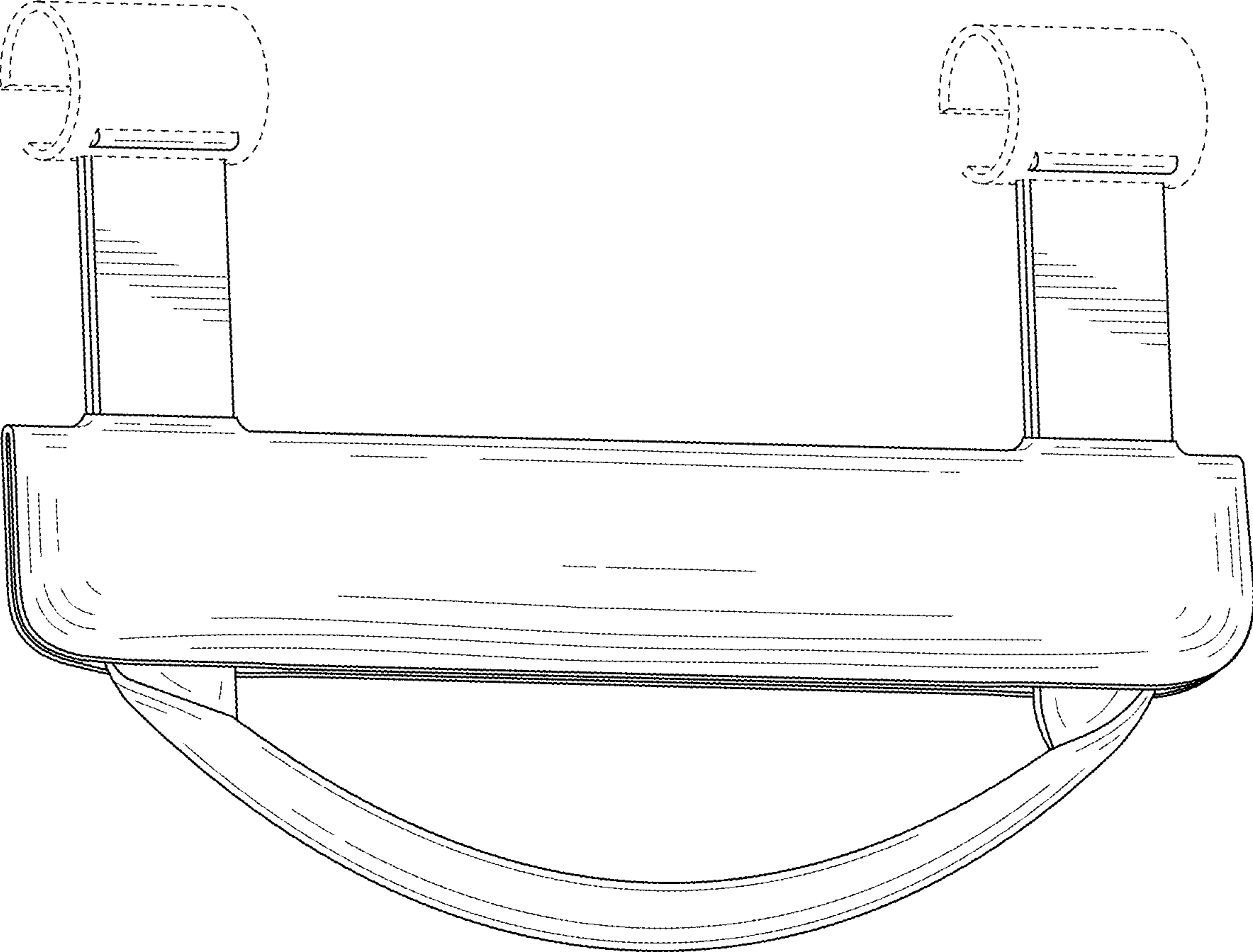


FIG. 7

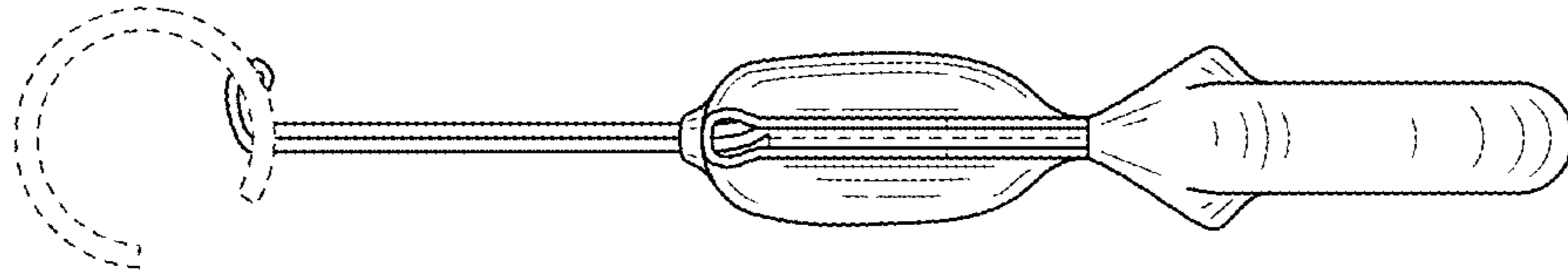


FIG. 10

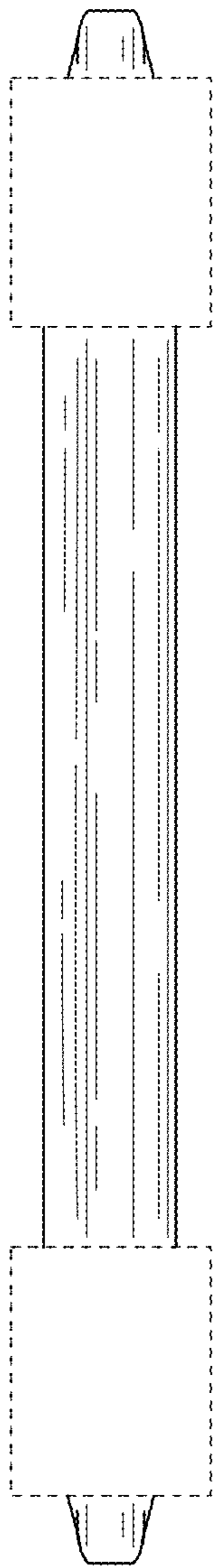


FIG. 8

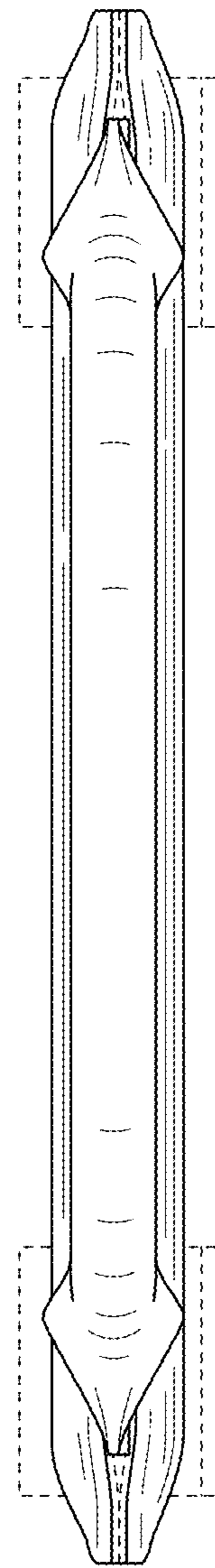


FIG. 9

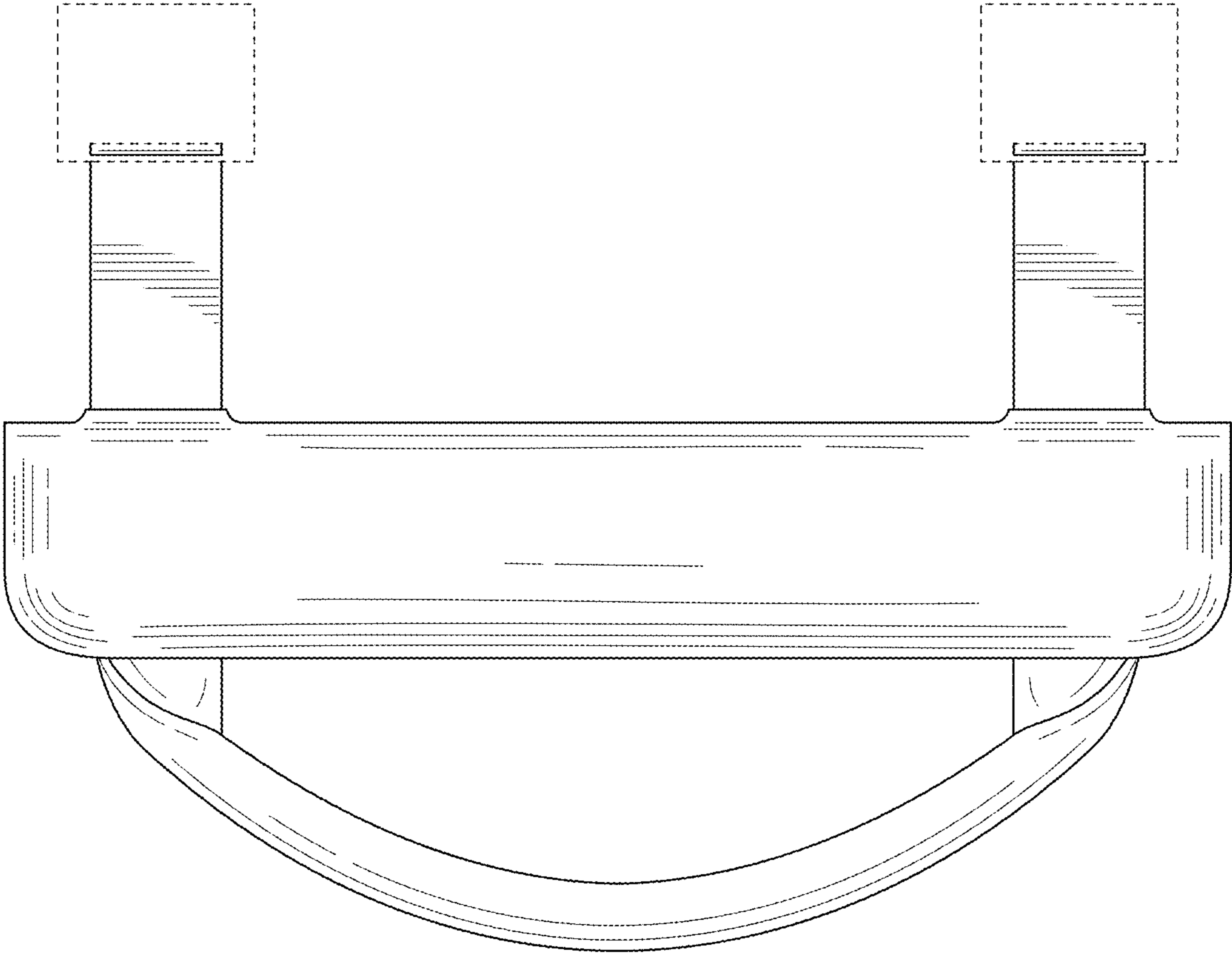


FIG. 11

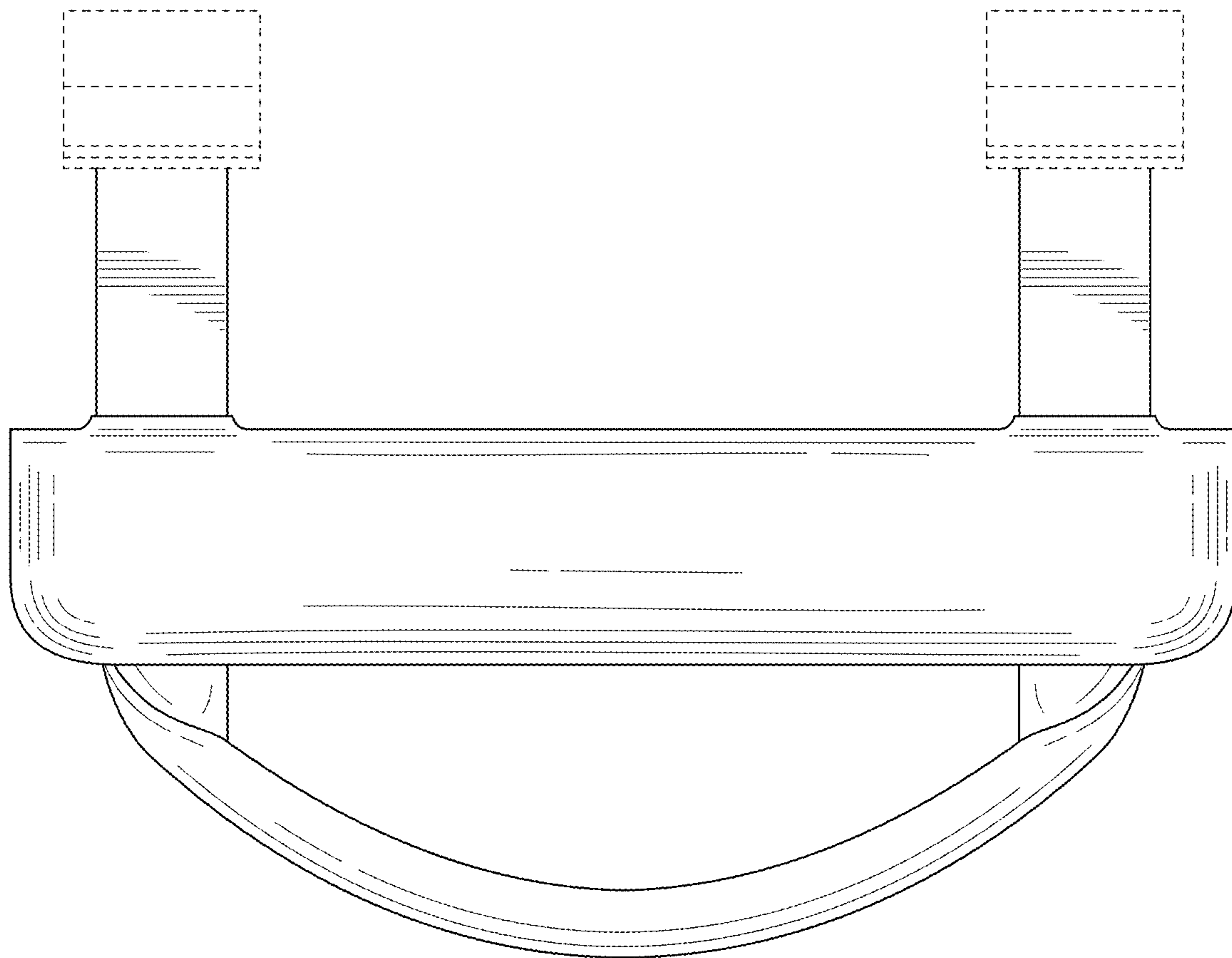


FIG. 12