



US00D896990S

(12) **United States Design Patent** (10) **Patent No.:** **US D896,990 S**
Browaeyns et al. (45) **Date of Patent:** **** Sep. 22, 2020**

(54) **AWNING**

FOREIGN PATENT DOCUMENTS

(71) Applicant: **Thule NV**, Menen (BE)

CN 302613373 * 10/2013
EM 002099697-0001 10/2012

(72) Inventors: **Wouter Browaeyns**, Wevelgem (BE);
Jeroen Vancraeynest, Beveren-Leie (BE)

Primary Examiner — Leanne Was-Englehart
(74) *Attorney, Agent, or Firm* — Sterne, Kessler, Goldstein & Fox P.L.L.C.

(73) Assignee: **Thule NV**, Menen (BE)

(**) Term: **15 Years**

(57) **CLAIM**

(21) Appl. No.: **29/681,195**

The ornamental design for an awning, as shown and described.

(22) Filed: **Feb. 22, 2019**

(51) **LOC (12) Cl.** **25-03**

(52) **U.S. Cl.**
USPC **D25/57**

DESCRIPTION

(58) **Field of Classification Search**
USPC D12/401, 403; D25/56, 57, 60, 136
CPC E04F 10/0614; E04F 10/0618; E04F 10/0625; E04F 10/0637; E04F 10/0644; E04F 10/0648; E04F 10/0651; E04F 10/0659; E04F 10/0662; E04F 10/067; E04F 10/0685; E04F 10/0688; B60P 3/343; E04H 15/06; E04H 15/18; E04H 15/42; E04H 15/48; B62J 19/00
See application file for complete search history.

FIG. 1 is a top front perspective view of an awning showing the claimed design;
FIG. 2 is another front perspective view thereof;
FIG. 3 is a bottom view thereof;
FIG. 4 is a top view thereof;
FIG. 5 is a right side view thereof;
FIG. 6 is a left side view thereof;
FIG. 7 is a front view thereof;
FIG. 8 is a rear view thereof;
FIG. 9 is rear perspective view thereof;
FIG. 10 is an enlarged view of a portion of FIG. 1;
FIG. 11 is an enlarged view of a portion of FIG. 2;
FIG. 12 is an enlarged view of a portion of FIG. 3;
FIG. 13 is an enlarged view of a portion of FIG. 4;
FIG. 14 is an enlarged view of FIG. 5;
FIG. 15 is an enlarged view of FIG. 6;
FIG. 16 is an enlarged view of a portion of FIG. 7;
FIG. 17 is an enlarged view of a portion of FIG. 8; and,
FIG. 18 is an enlarged view of a portion of FIG. 9.
The dashed broken lines in the figures show portions of the awning that form no part of the claimed design.
The dot-dash broken line circles in the figures depict the limits of the enlarged views and form no part of the claimed design.

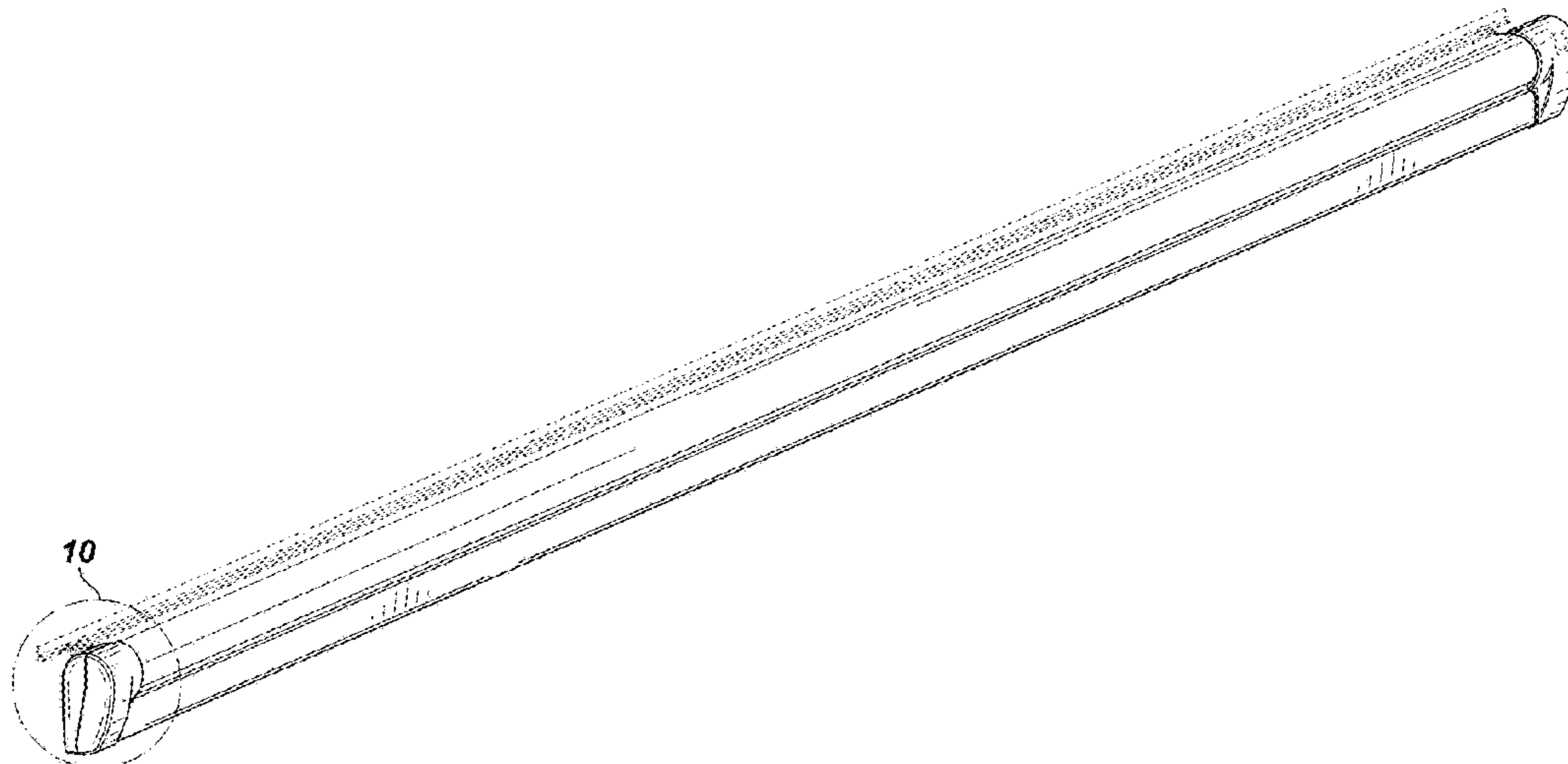
(56) **References Cited**

U.S. PATENT DOCUMENTS

D179,283	S	*	11/1956	Dietz	D25/57
D567,963	S	*	4/2008	Cutler	D25/56
D604,427	S	*	11/2009	Kramer	D25/57
D610,706	S	*	2/2010	Kramer	D25/57
D610,707	S	*	2/2010	Kramer	D25/57
D610,708	S	*	2/2010	Kramer	D25/57
D622,414	S	*	8/2010	Cropley	D25/56
D668,787	S	*	10/2012	Kramer	D25/57
D669,192	S	*	10/2012	Kramer	D25/57
D698,941	S	*	2/2014	Cropley	D25/56
9,469,997	B2	*	10/2016	Thompson	E04F 10/0618
D814,047	S	*	3/2018	Pozzi	D25/57

(Continued)

1 Claim, 12 Drawing Sheets



(56)

References Cited

U.S. PATENT DOCUMENTS

D870,318 S * 12/2019 Everett D25/57
2015/0167308 A1* 6/2015 Thompson E04F 10/0637
160/67
2018/0291633 A1 10/2018 Thompson et al.
2018/0361905 A1* 12/2018 McKinnon E04H 15/10
2019/0010708 A1* 1/2019 Coucke E04F 10/0611

* cited by examiner

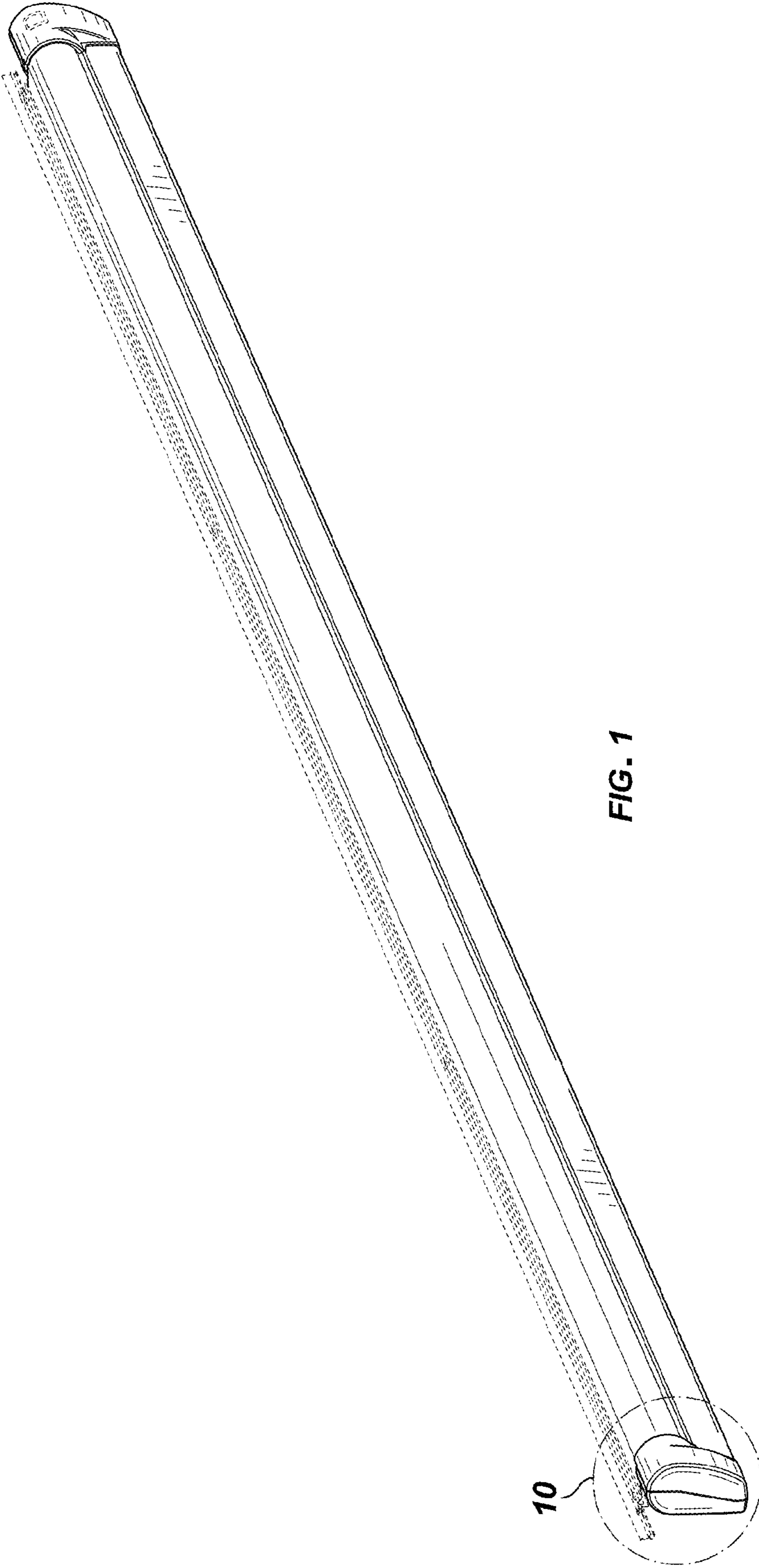


FIG. 1

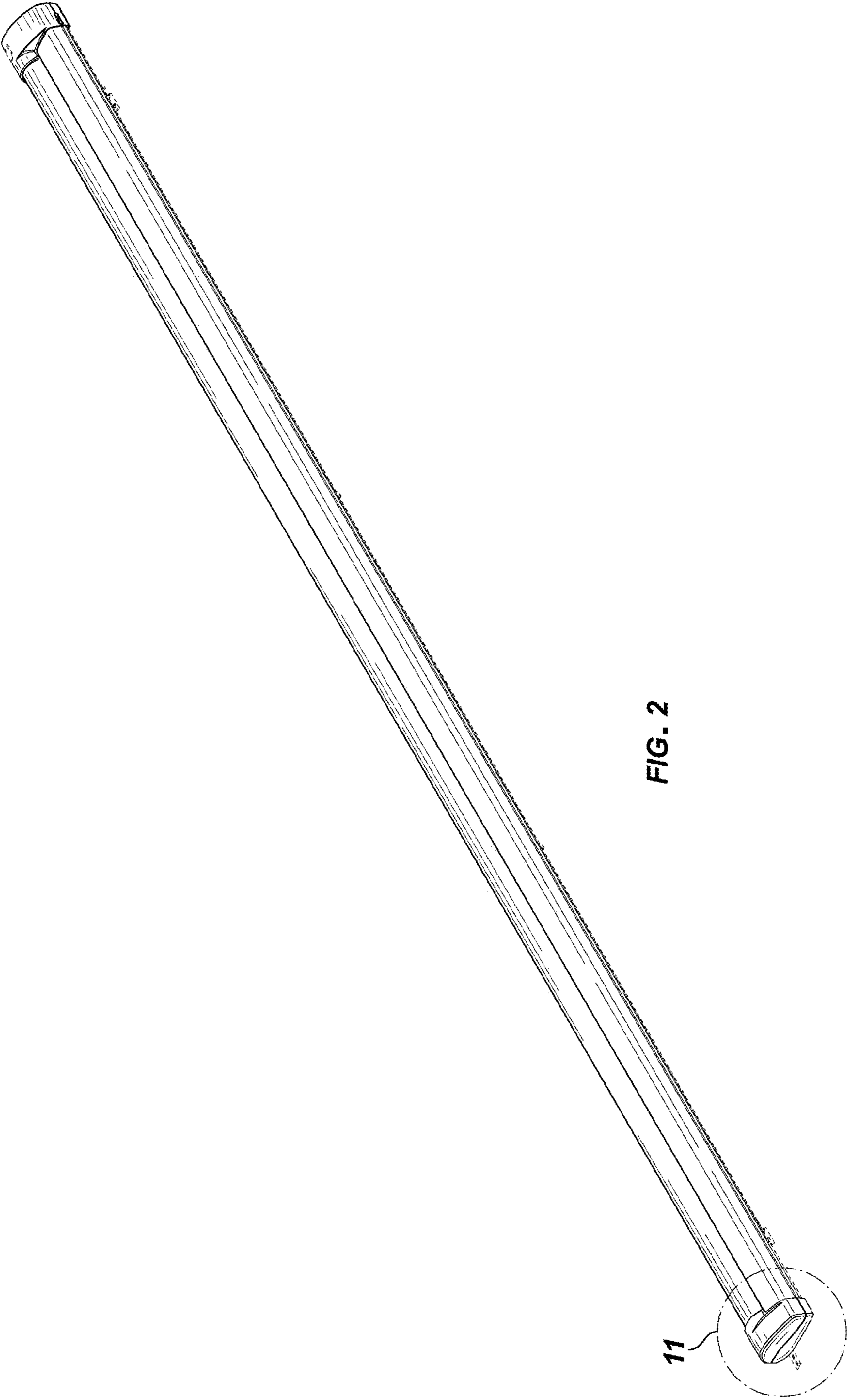


FIG. 2

11

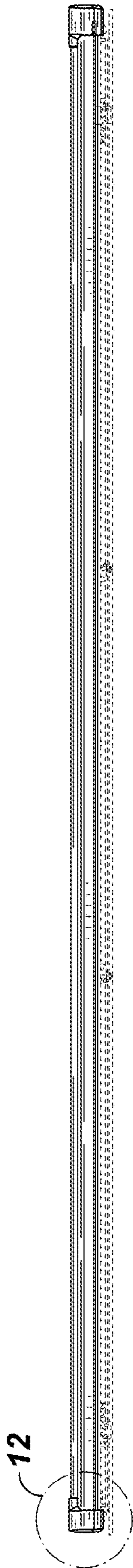


FIG. 3

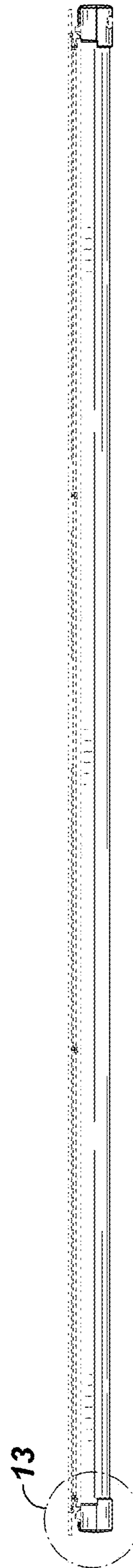
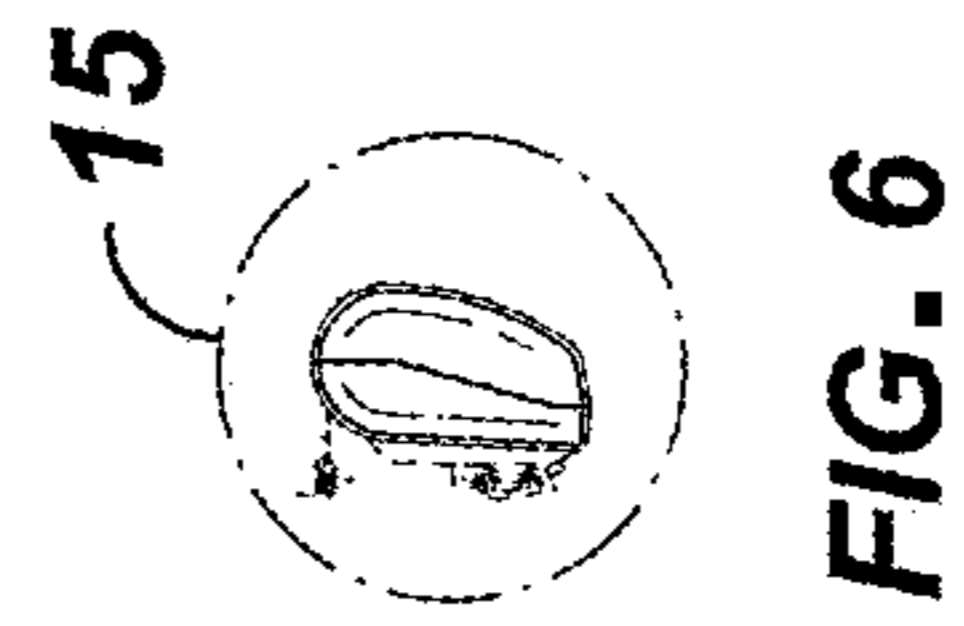
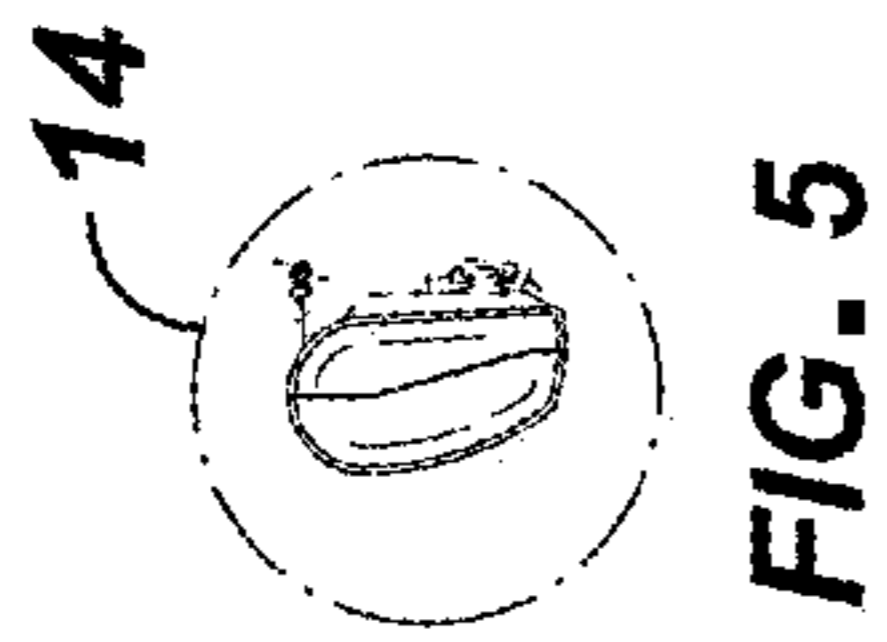


FIG. 4



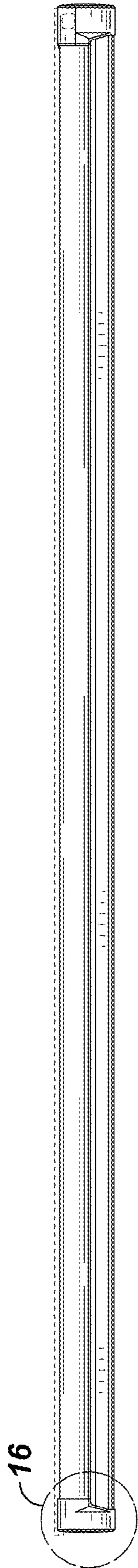


FIG. 7

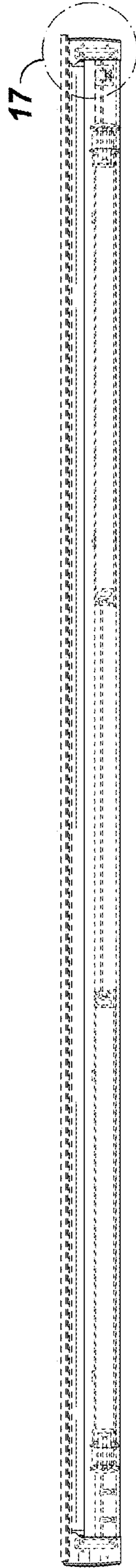
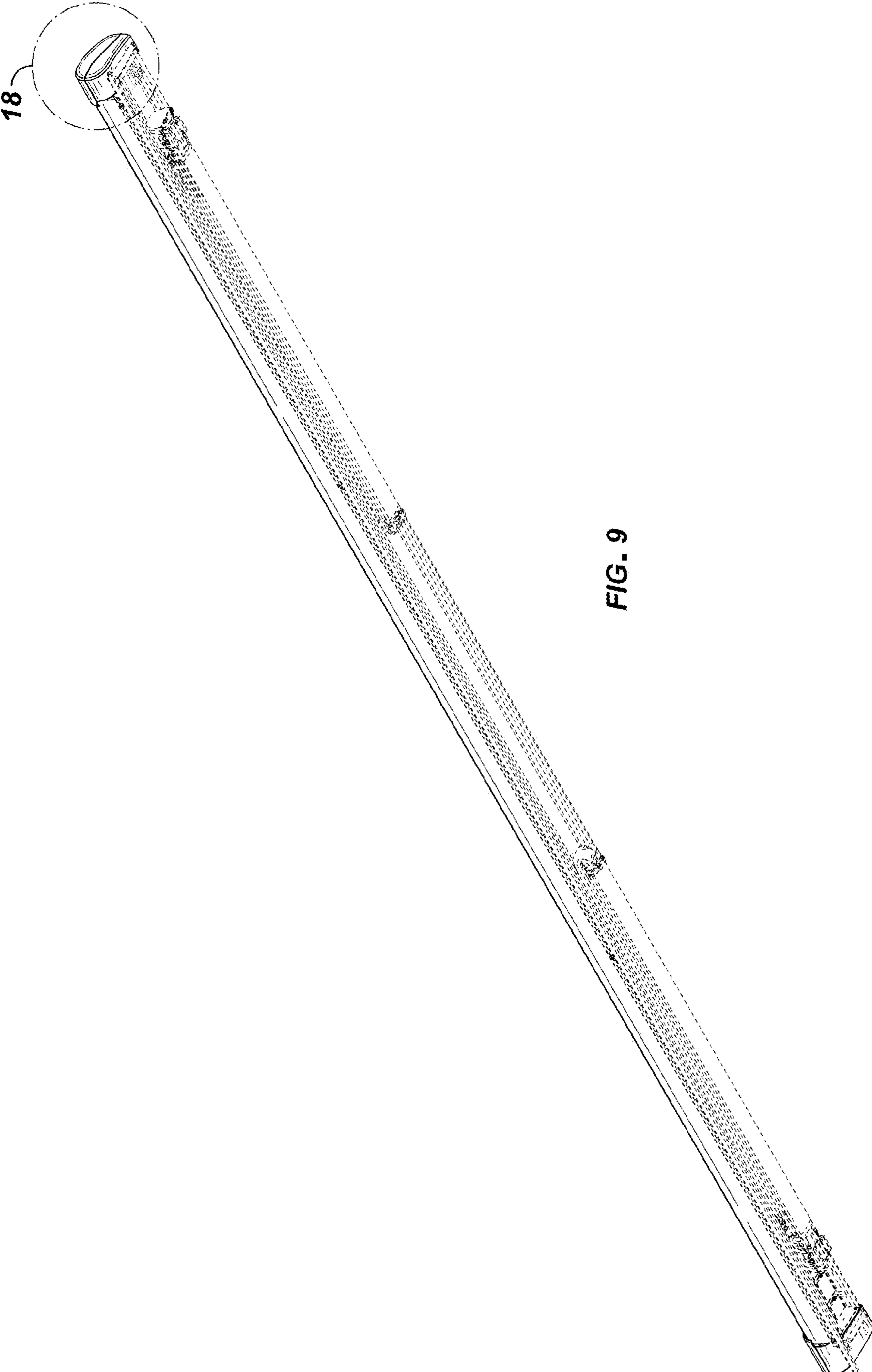


FIG. 8



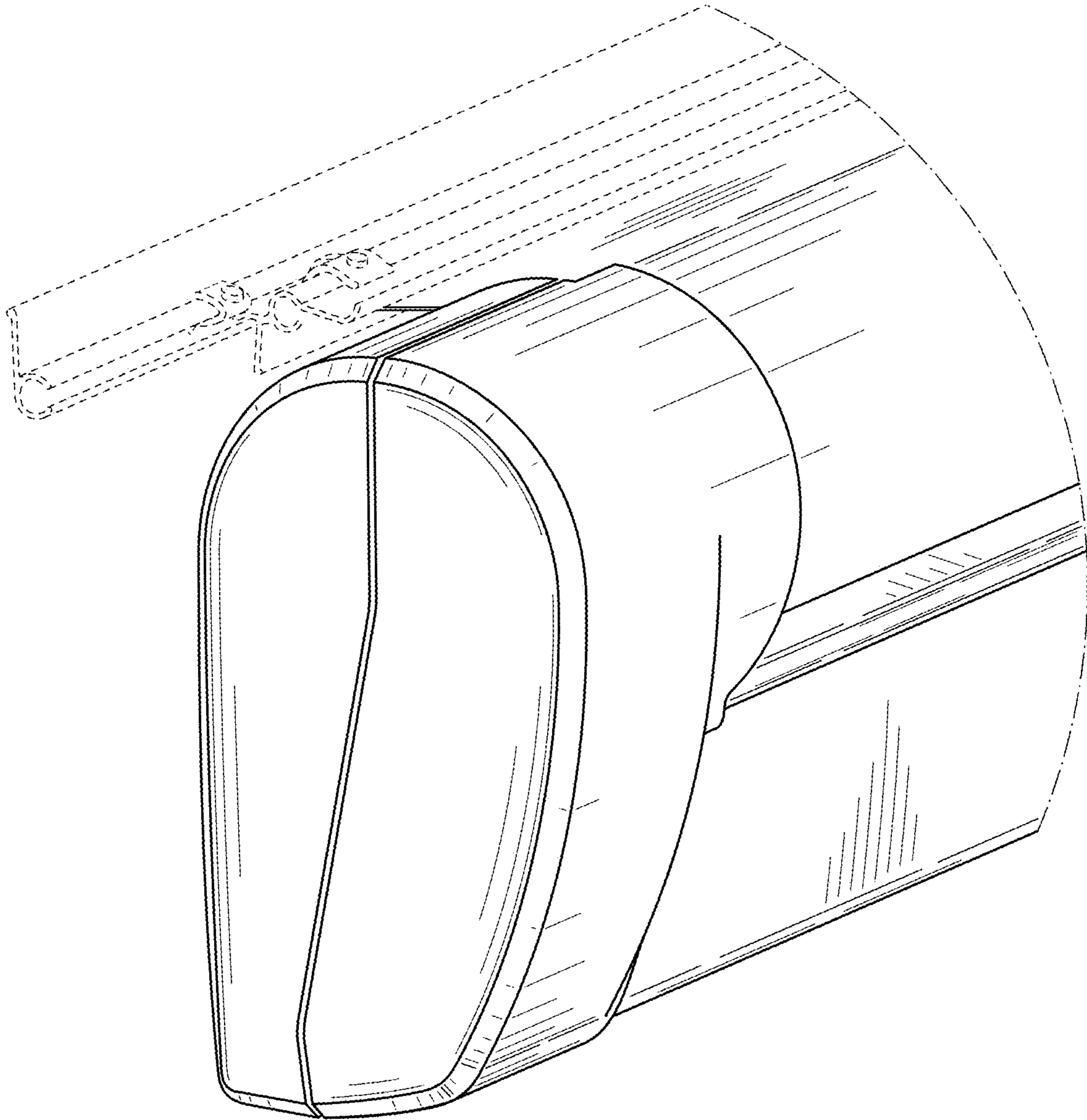


FIG. 10

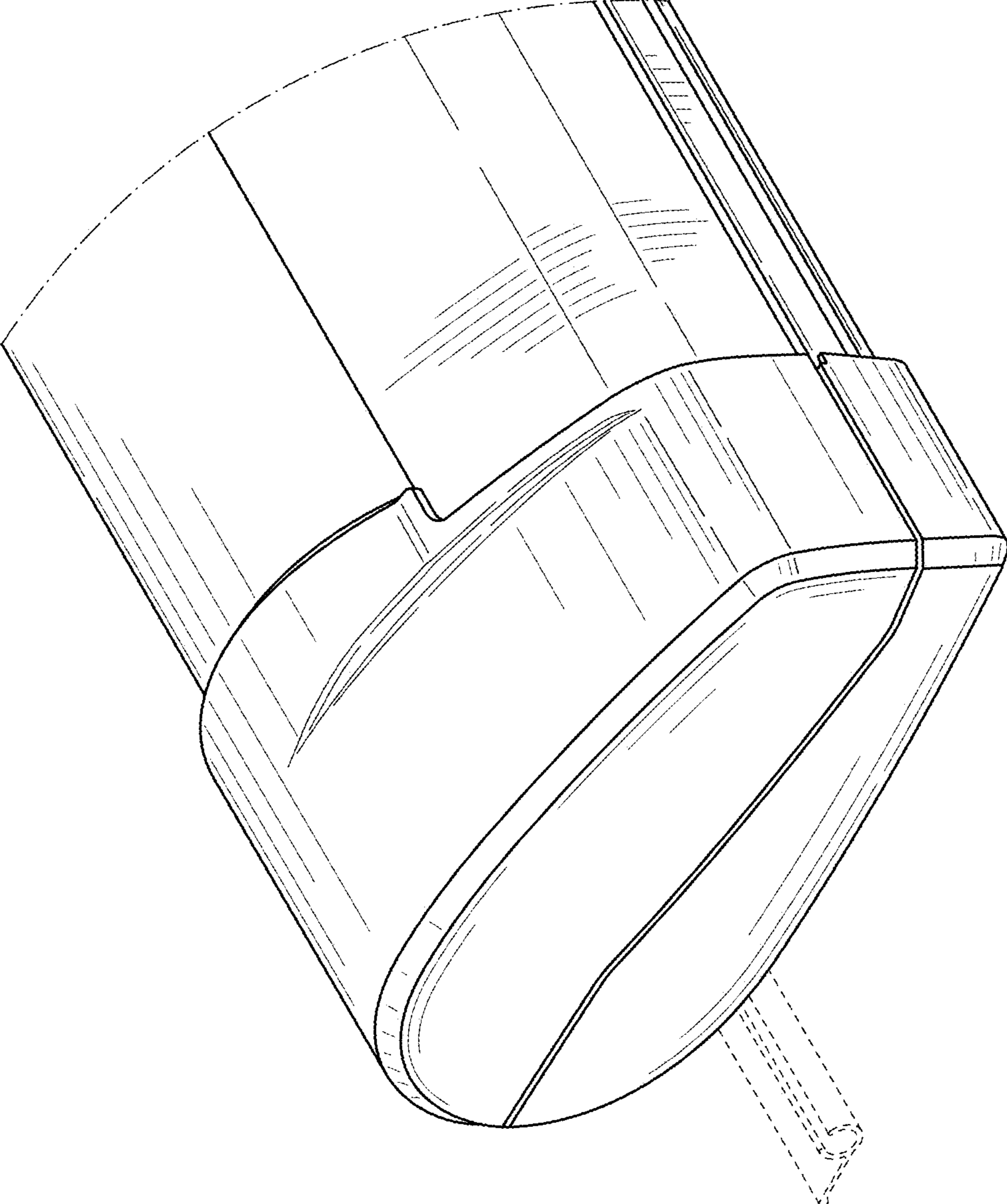


FIG. 11

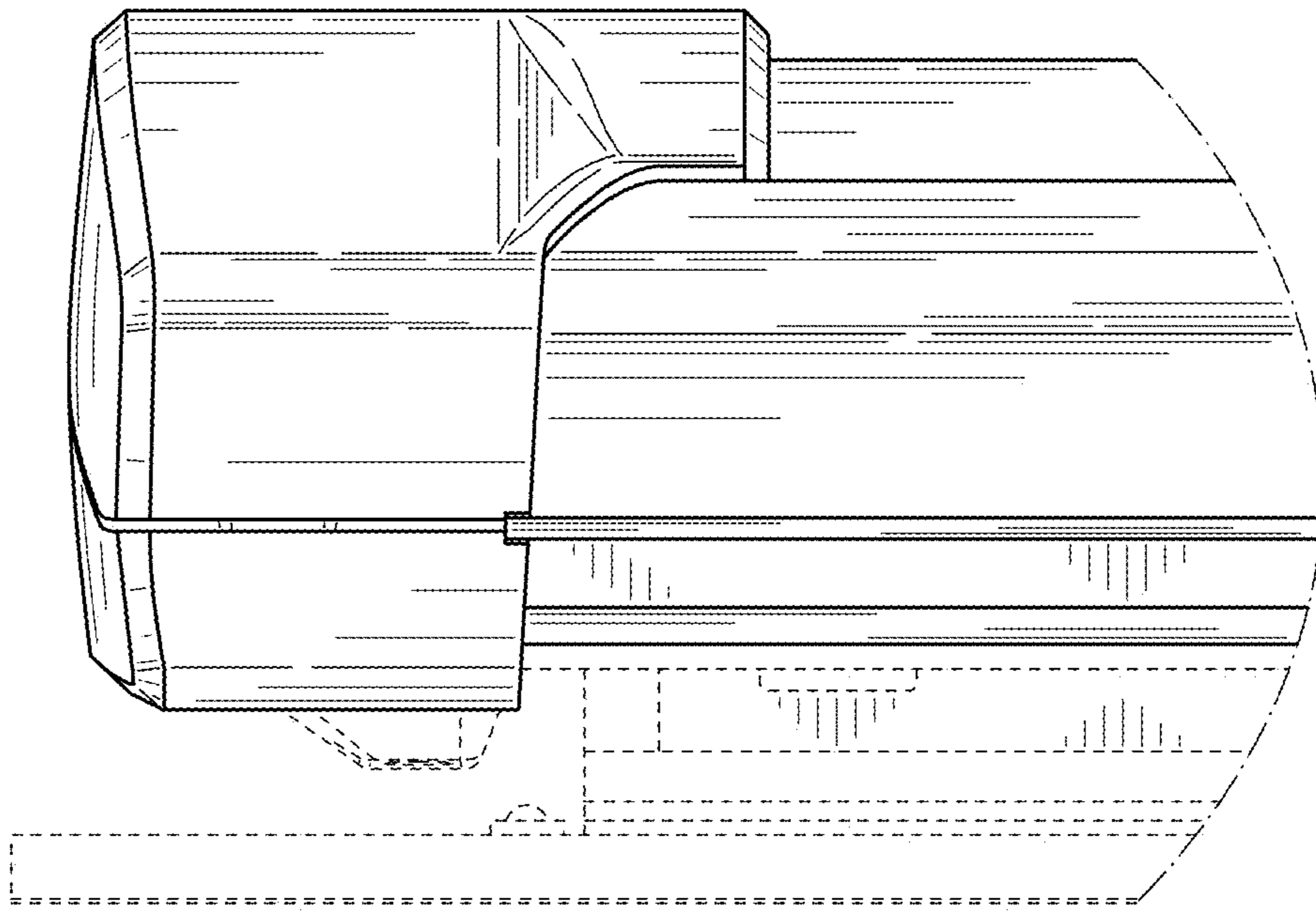


FIG. 12

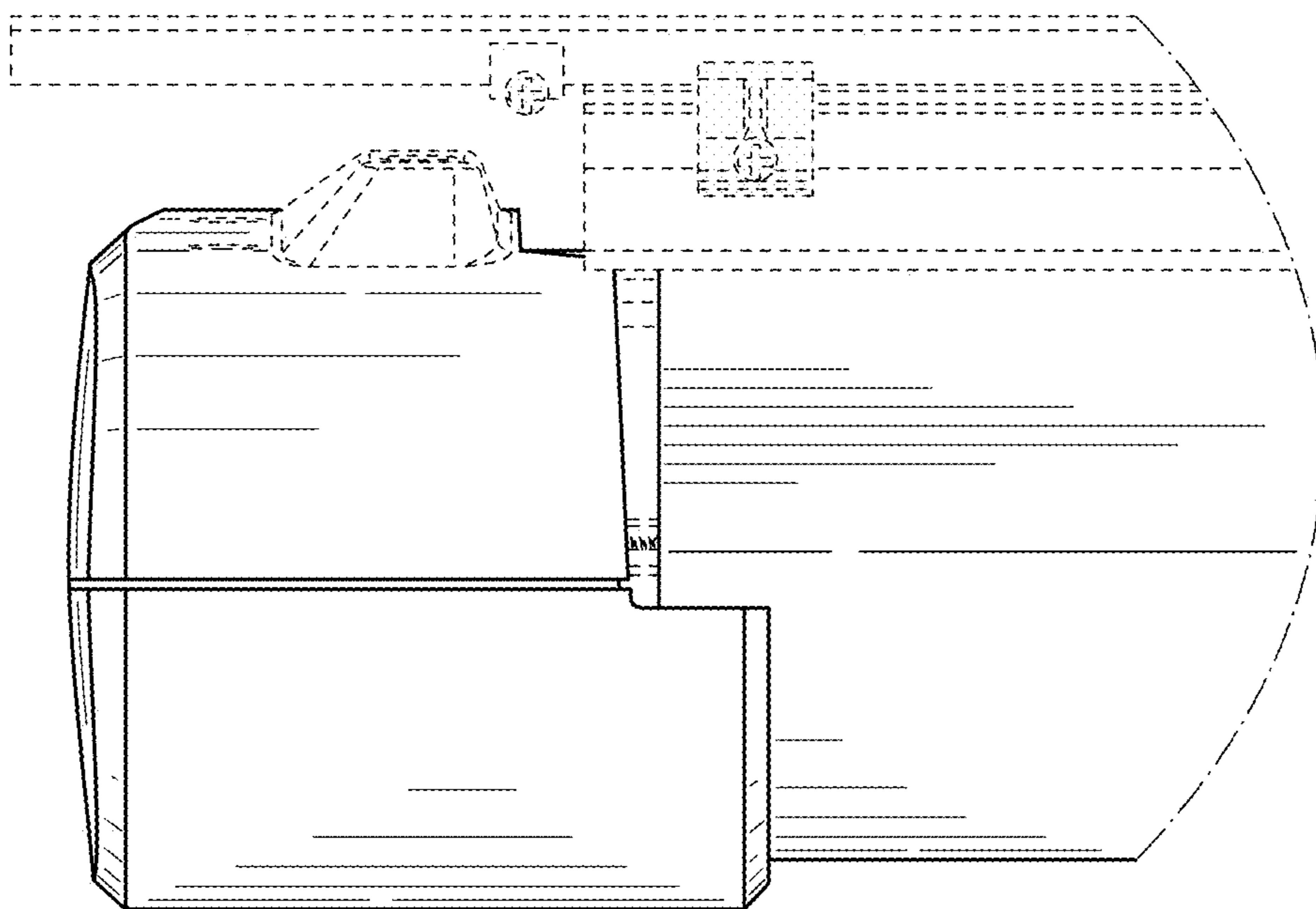


FIG. 13

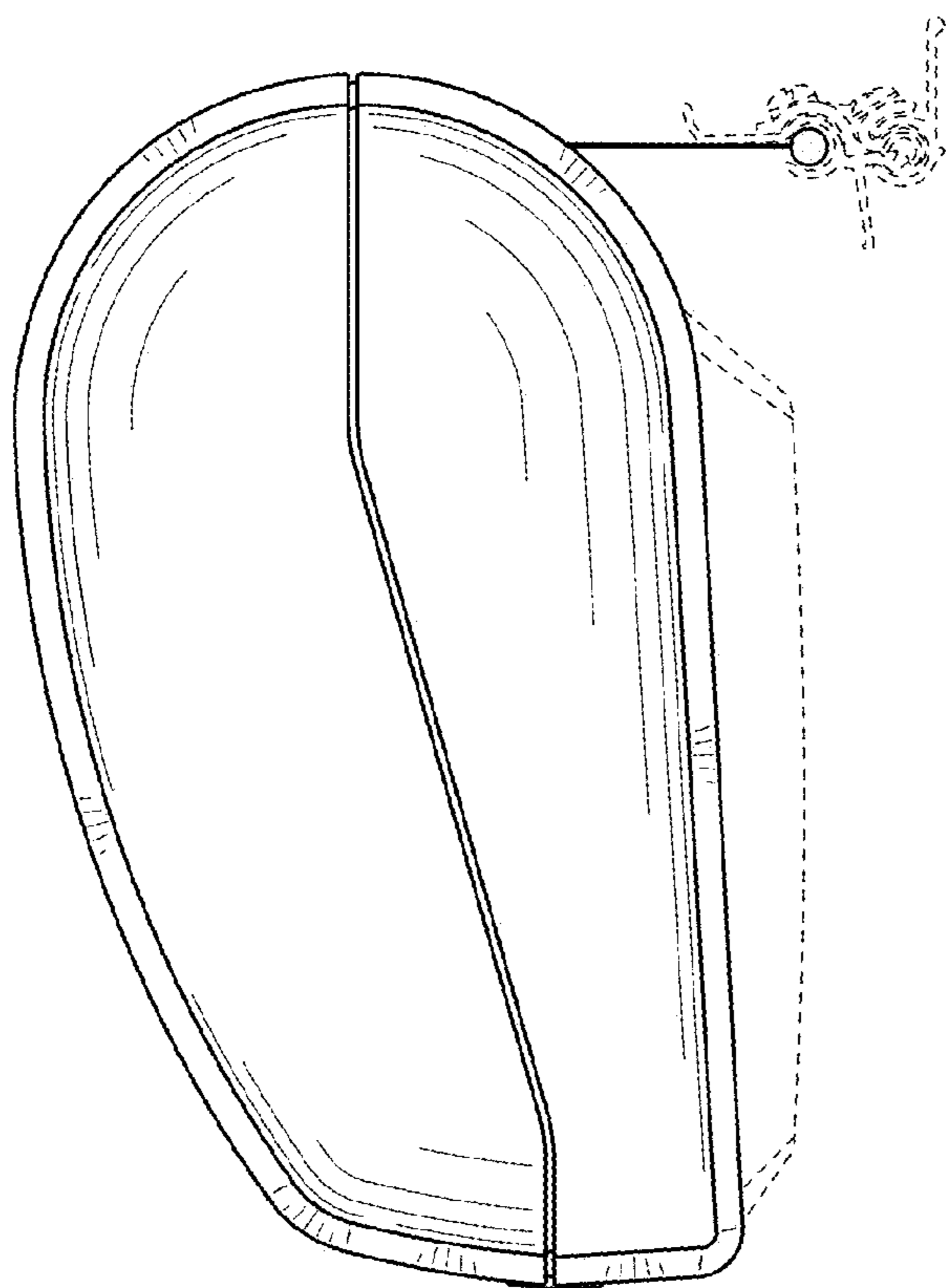


FIG. 14

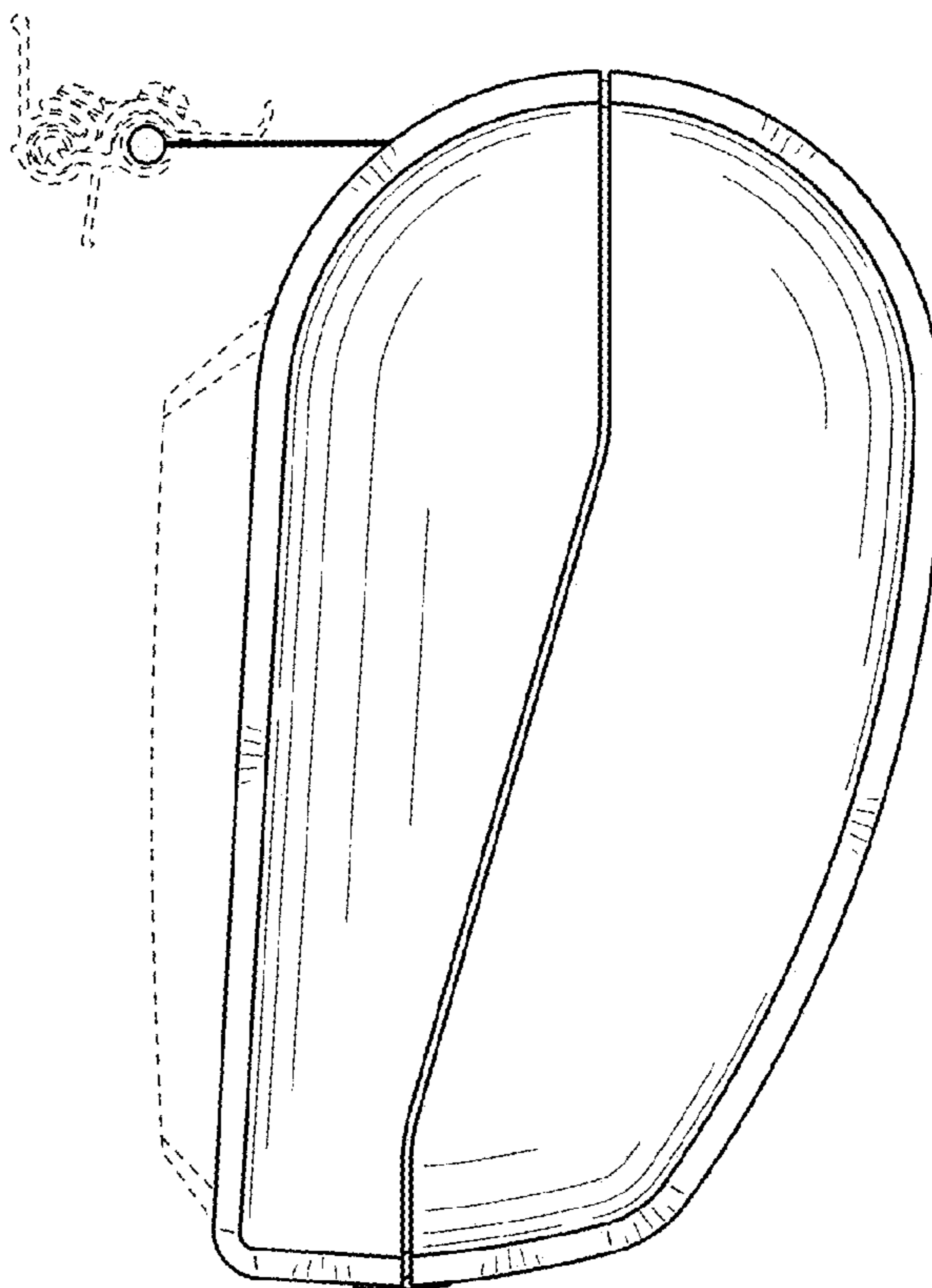


FIG. 15

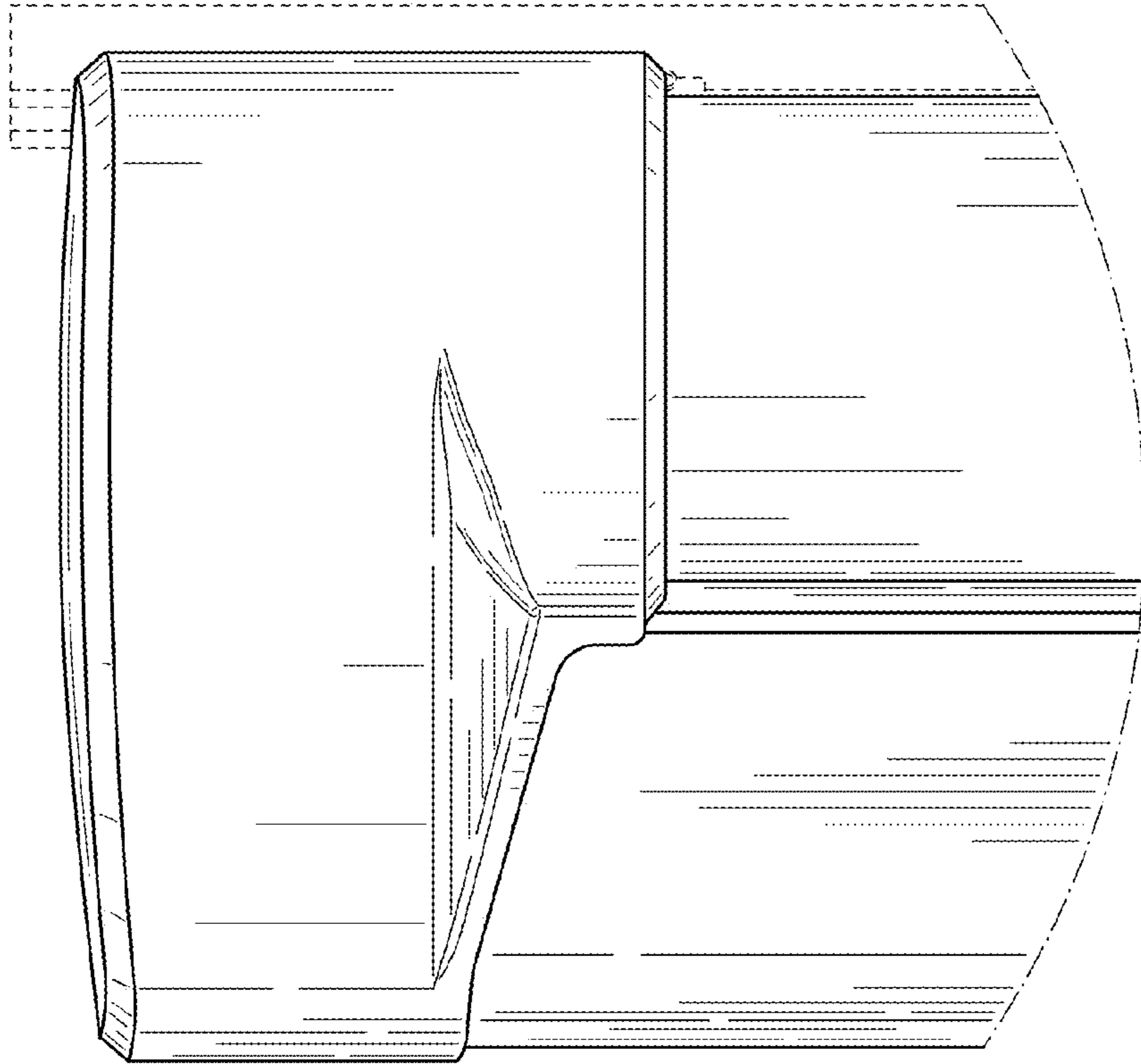


FIG. 16

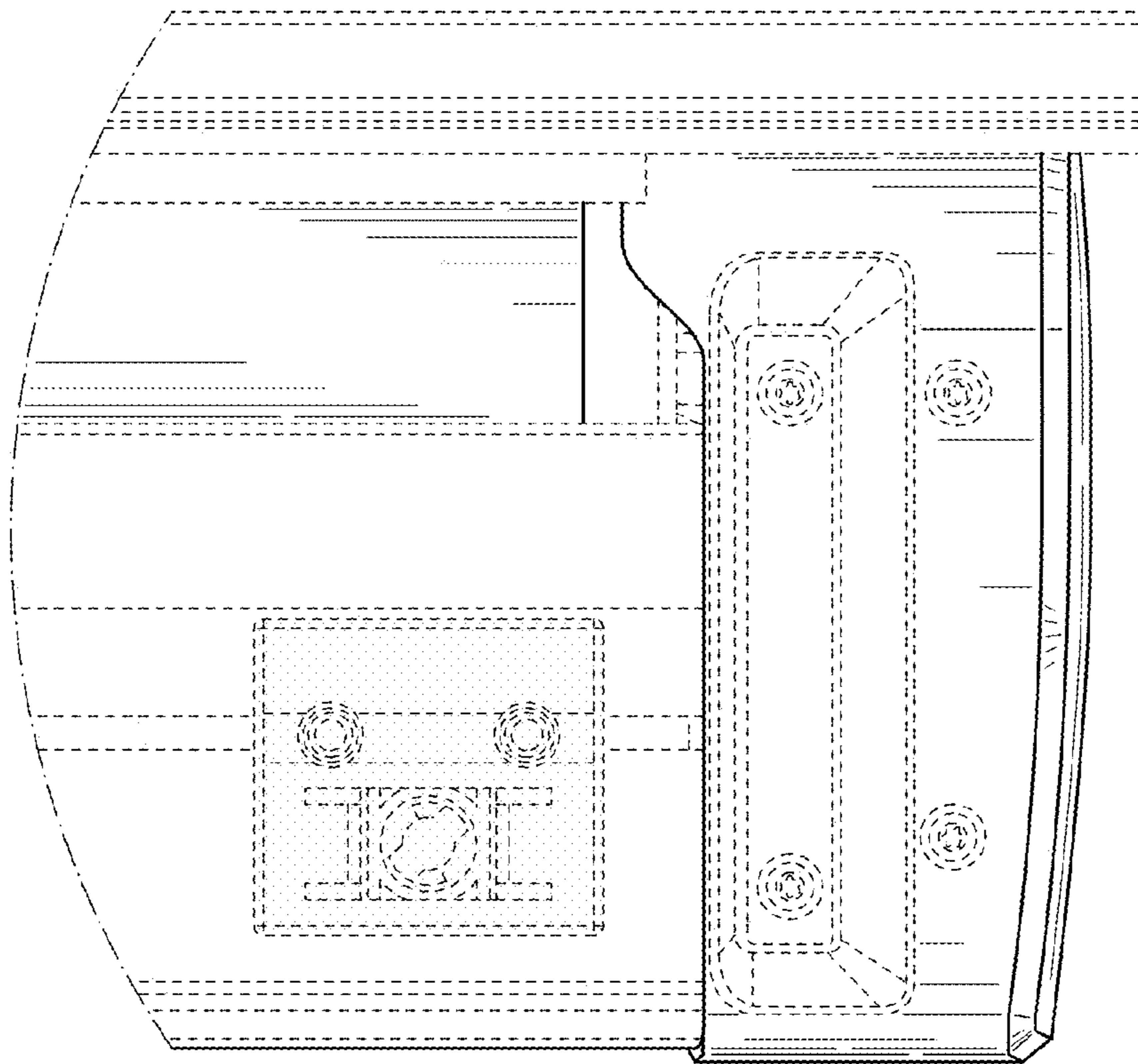


FIG. 17

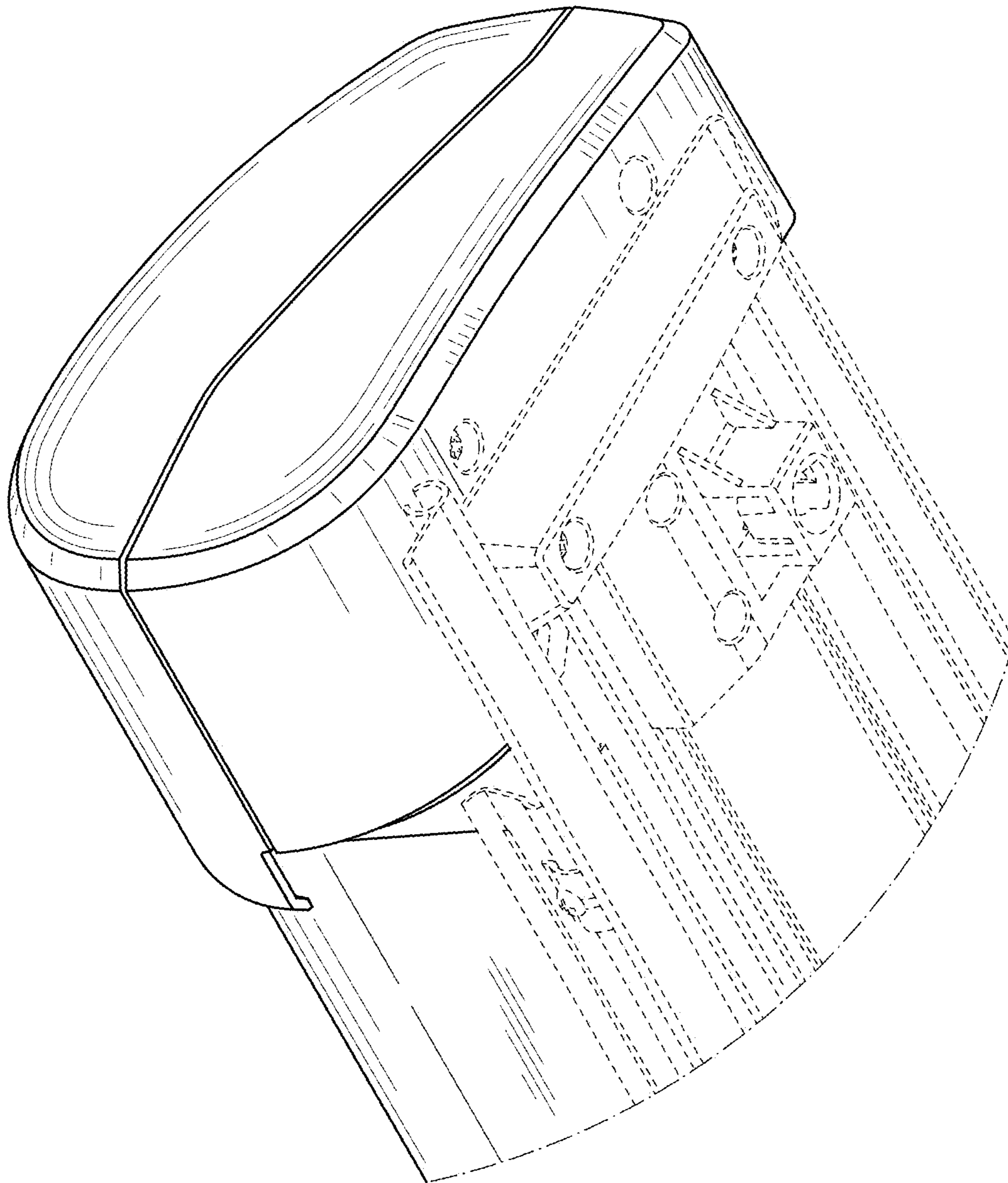


FIG. 18