



US00D896988S

(12) **United States Design Patent** (10) **Patent No.:** **US D896,988 S**
Keithley et al. (45) **Date of Patent:** **** Sep. 22, 2020**

(54) **SHADE STRUCTURE**

(71) Applicants: **Kyle Keithley**, Temple, GA (US);
Dennis Jacobs, Villa Rica, GA (US);
Tommy Rampley, Dallas, GA (US)

(72) Inventors: **Kyle Keithley**, Temple, GA (US);
Dennis Jacobs, Villa Rica, GA (US);
Tommy Rampley, Dallas, GA (US)

(73) Assignee: **SUPERIOR INTERNATIONAL INDUSTRIES, INC.**, Carrollton, GA (US)

(**) Term: **15 Years**

(21) Appl. No.: **29/664,160**

(22) Filed: **Sep. 21, 2018**

(51) **LOC (12) Cl.** **25-02**

(52) **U.S. Cl.**
USPC **D25/56**

(58) **Field of Classification Search**
USPC D3/5; D21/834, 837, 838, 839; D25/56,
D25/57

CPC E04H 15/02; E04H 15/18; E04B 37/105;
E04B 37/14

See application file for complete search history.

(56) **References Cited**

U.S. PATENT DOCUMENTS

D193,235	S	*	7/1962	McNew	D25/56
D238,869	S	*	2/1976	Isono	D25/56
D303,292	S	*	9/1989	Poilane	D25/56
D459,871	S	*	7/2002	Persson	D3/5
D628,711	S	*	12/2010	Mathis	D25/56
D628,712	S	*	12/2010	Mathis	D25/56
D787,705	S	*	5/2017	Grano	D25/23
D843,710	S	*	3/2019	Morel	D3/5
D852,489	S	*	7/2019	Morel	D3/5
2017/0284123	A1	*	10/2017	Pena	E04F 10/02
2017/0363131	A1	*	12/2017	Pena	E04H 15/322

OTHER PUBLICATIONS

Pinwheel Sail Shade—Gulf Coast Recreation <https://gulfcoastrecreation.com/shop/pinwheel-sail-shade/> May 2019 (Year: 2019).*

Playgo Publicaciones Facebook <https://es-la.facebook.com/playgoco/photos/a.408027006299007/648945788873793/?type=3&theater> Posted Mar. 15, 2019 (Year: 2019).*

Superior Recreational Playgrounds Catalog 2019 by noahsplay issuu https://issuu.com/noahsplay/docs/2019superior_recreational_products Published May 14, 2019 (Year: 2019).*

* cited by examiner

Primary Examiner — Leanne Was-Englehart

(74) *Attorney, Agent, or Firm* — McAndrews, Held & Malloy, Ltd.

(57) **CLAIM**

The ornamental design for a shade structure, as shown and described.

DESCRIPTION

FIG. 1 is a top perspective view of a shade structure showing our new design;

FIG. 2 is a front elevational view thereof;

FIG. 3 is a rear elevational view thereof;

FIG. 4 is a right side elevational view thereof;

FIG. 5 is a left side elevational view thereof;

FIG. 6 is a top plan view thereof;

FIG. 7 is a top perspective view of the shade structure of FIG. 1 showing the canopies removed for clarity of illustration;

FIG. 8 is a front elevational view thereof;

FIG. 9 is a rear elevational view thereof;

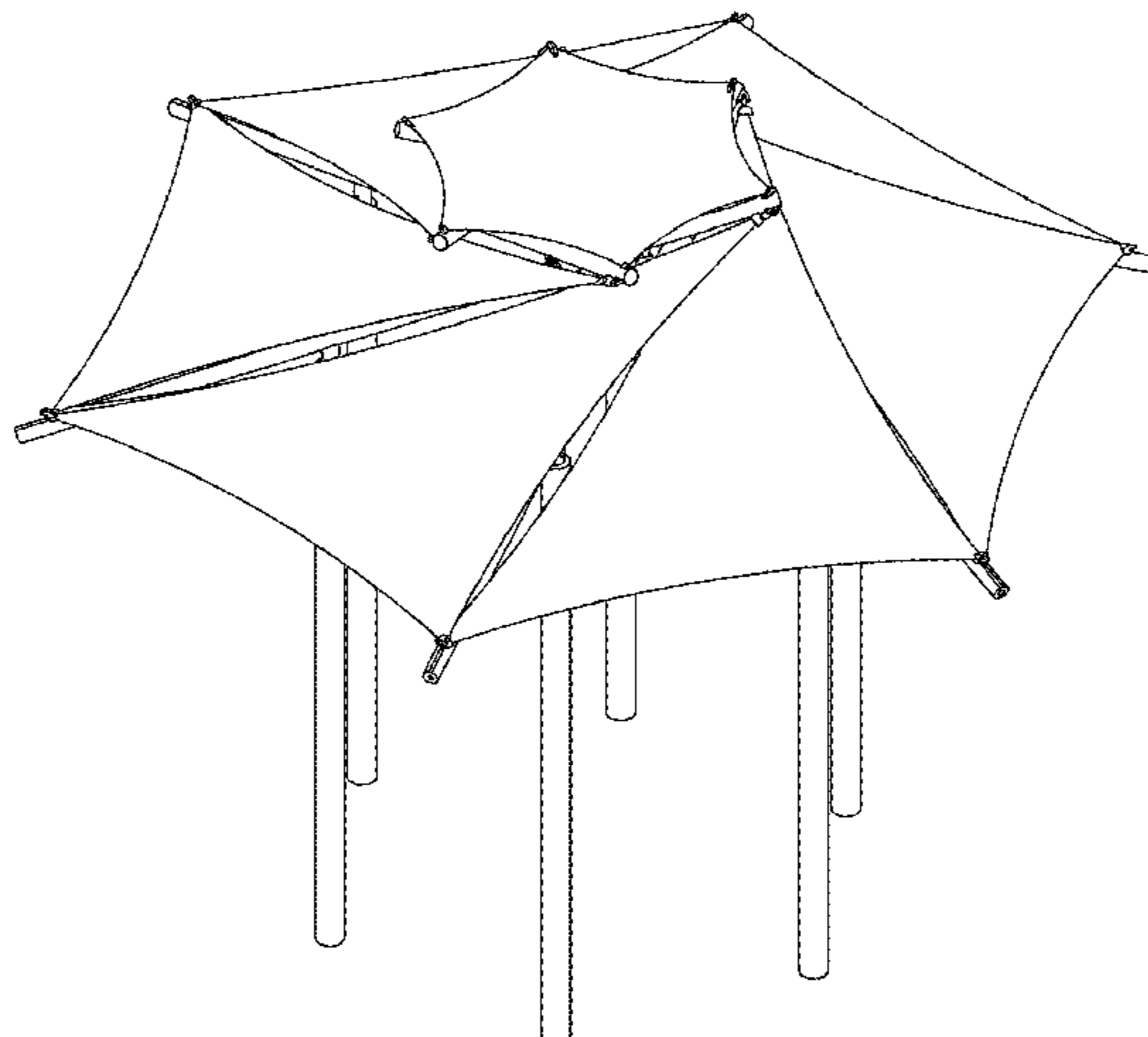
FIG. 10 is a right side elevational view thereof;

FIG. 11 is a left side elevational view thereof; and,

FIG. 12 is a top plan view thereof.

Views of the shade structure not shown form no part of the claimed design.

1 Claim, 12 Drawing Sheets



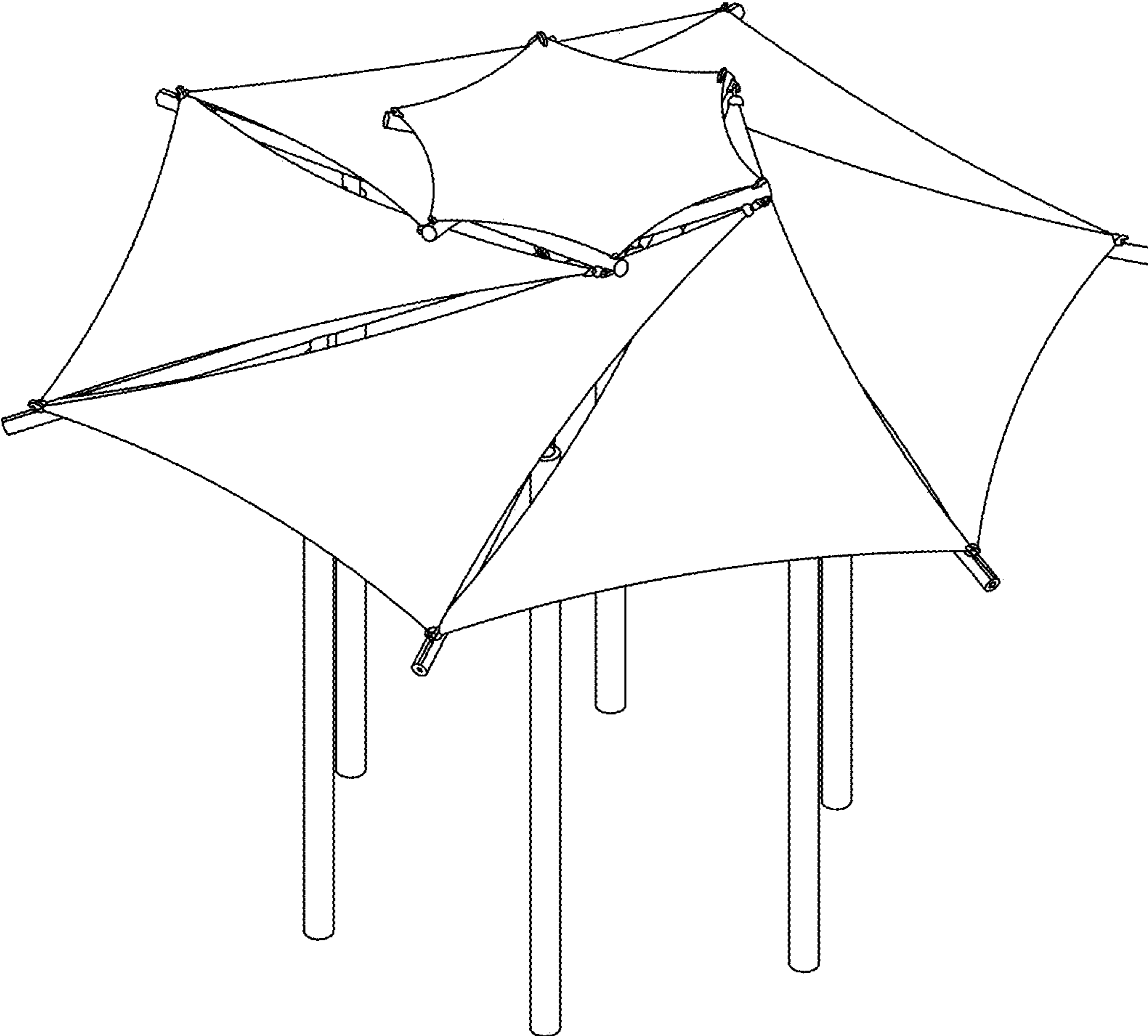


FIG. 1

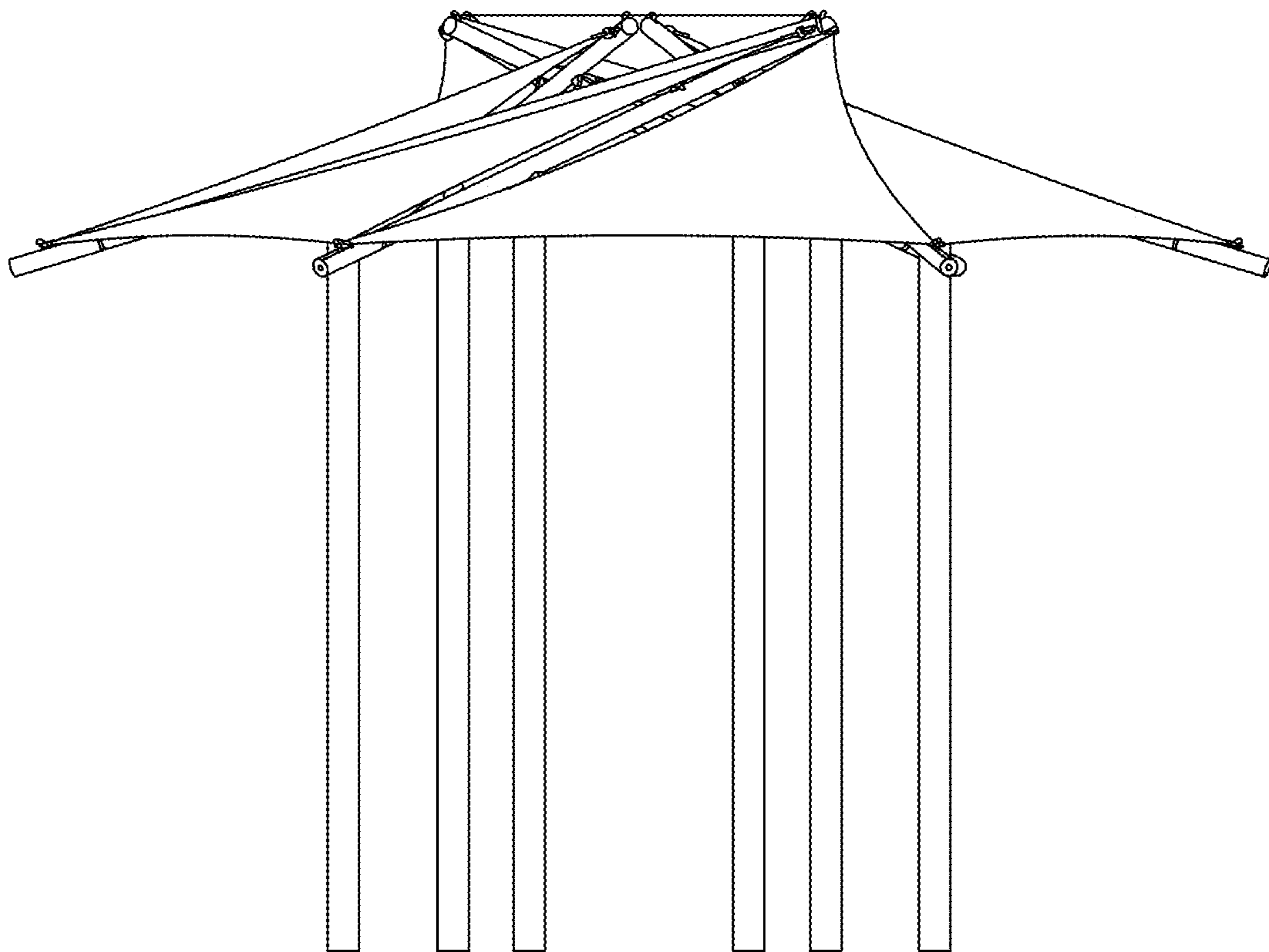


FIG. 2

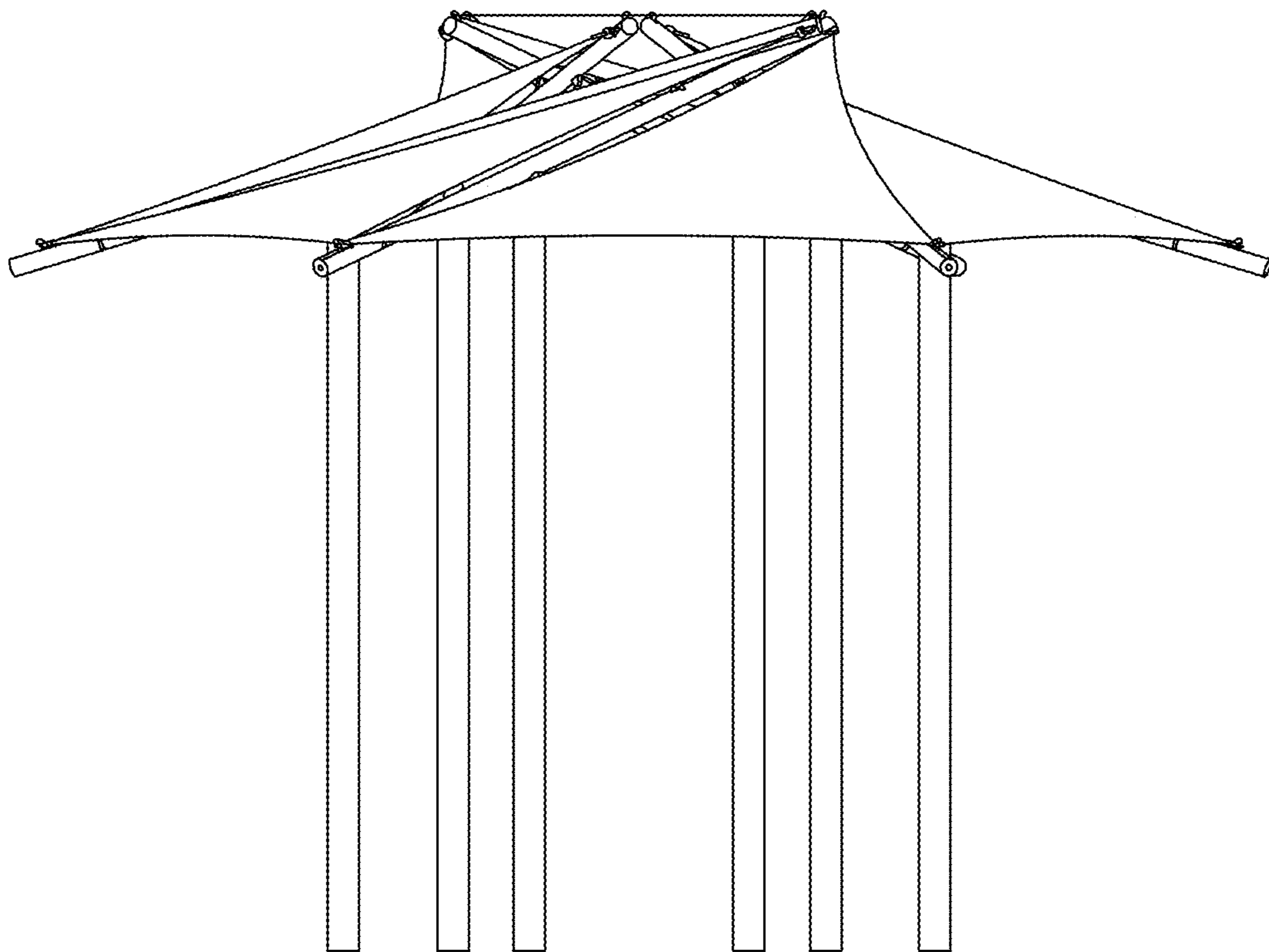


FIG. 3

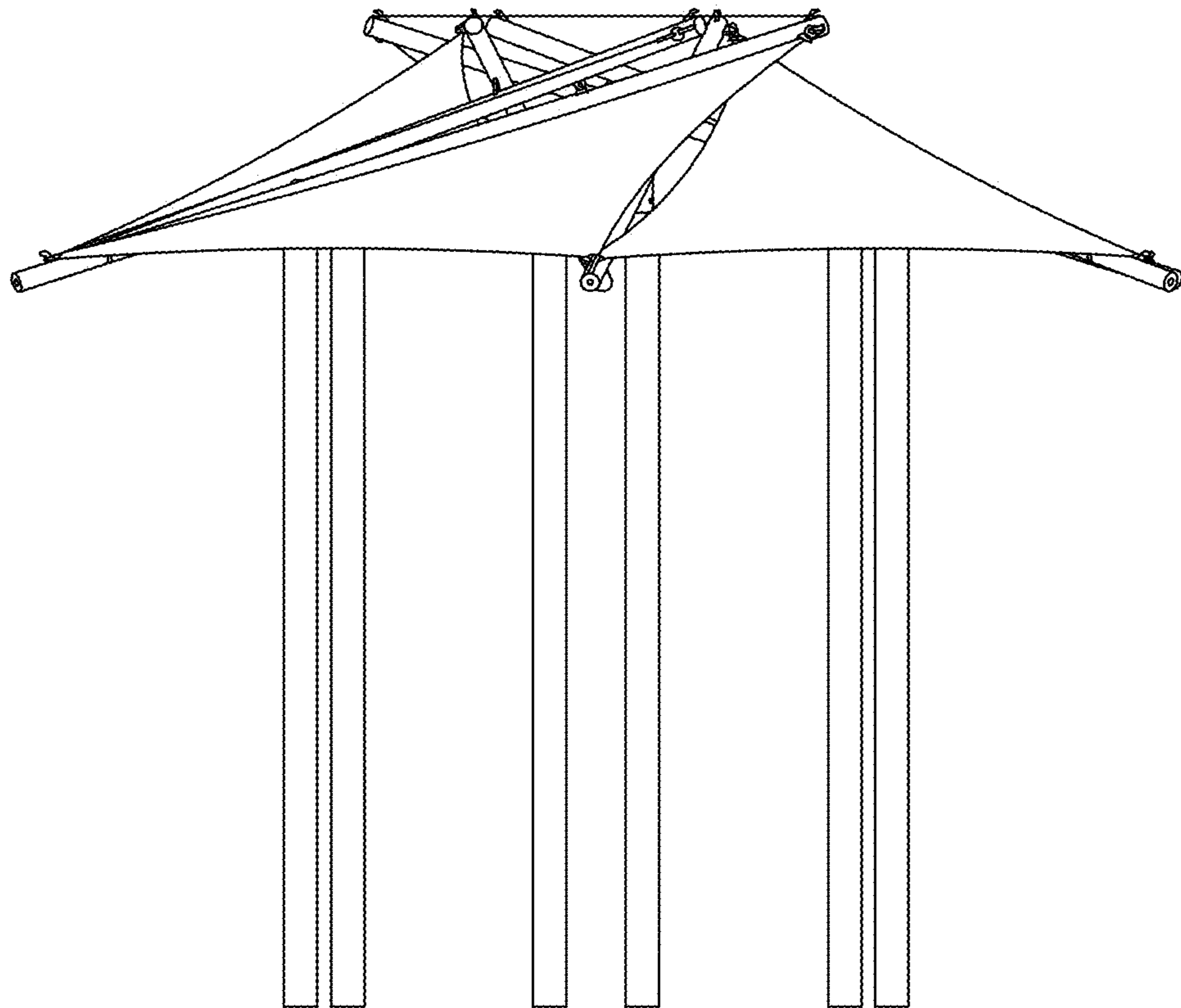


FIG. 4

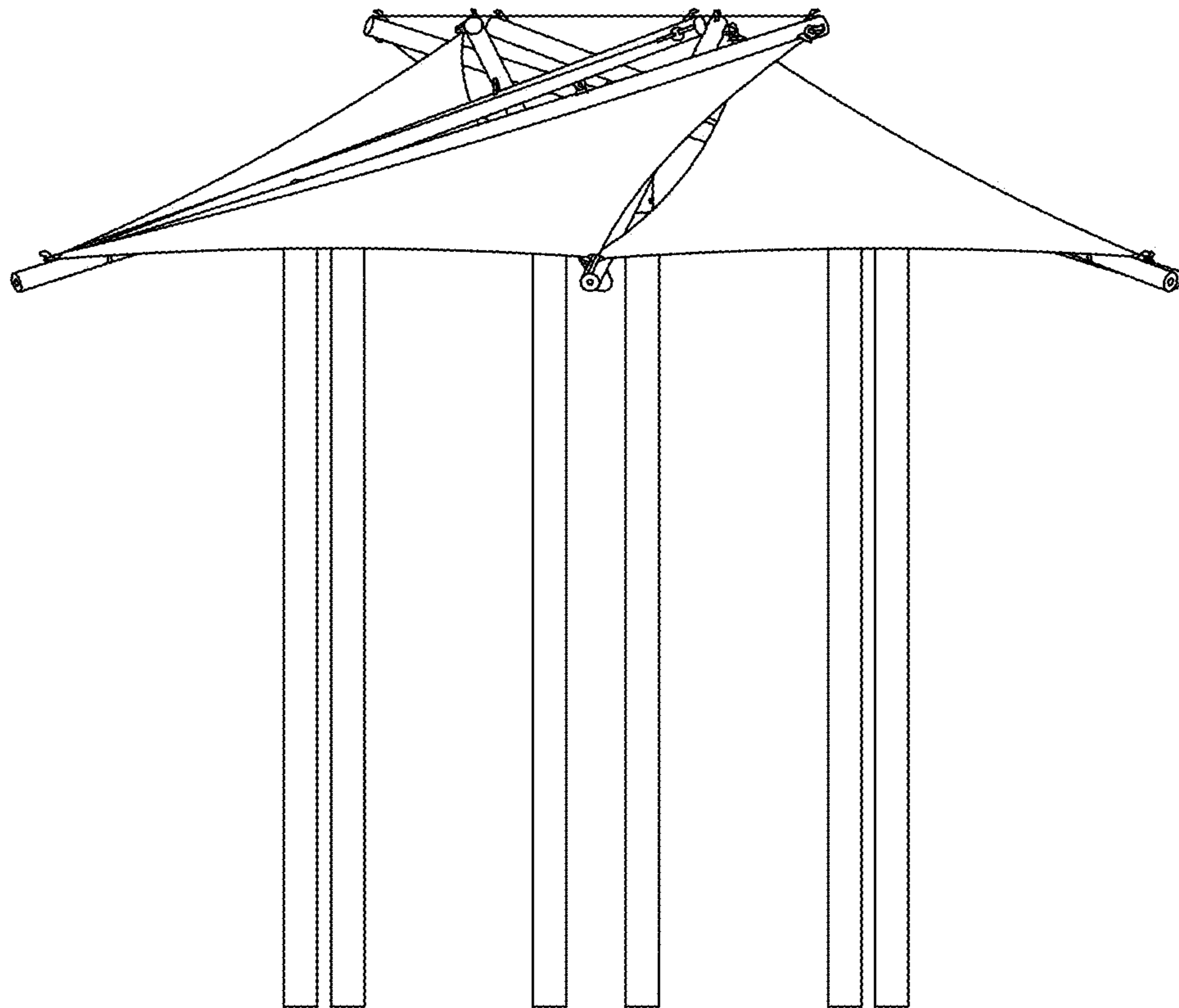


FIG. 5

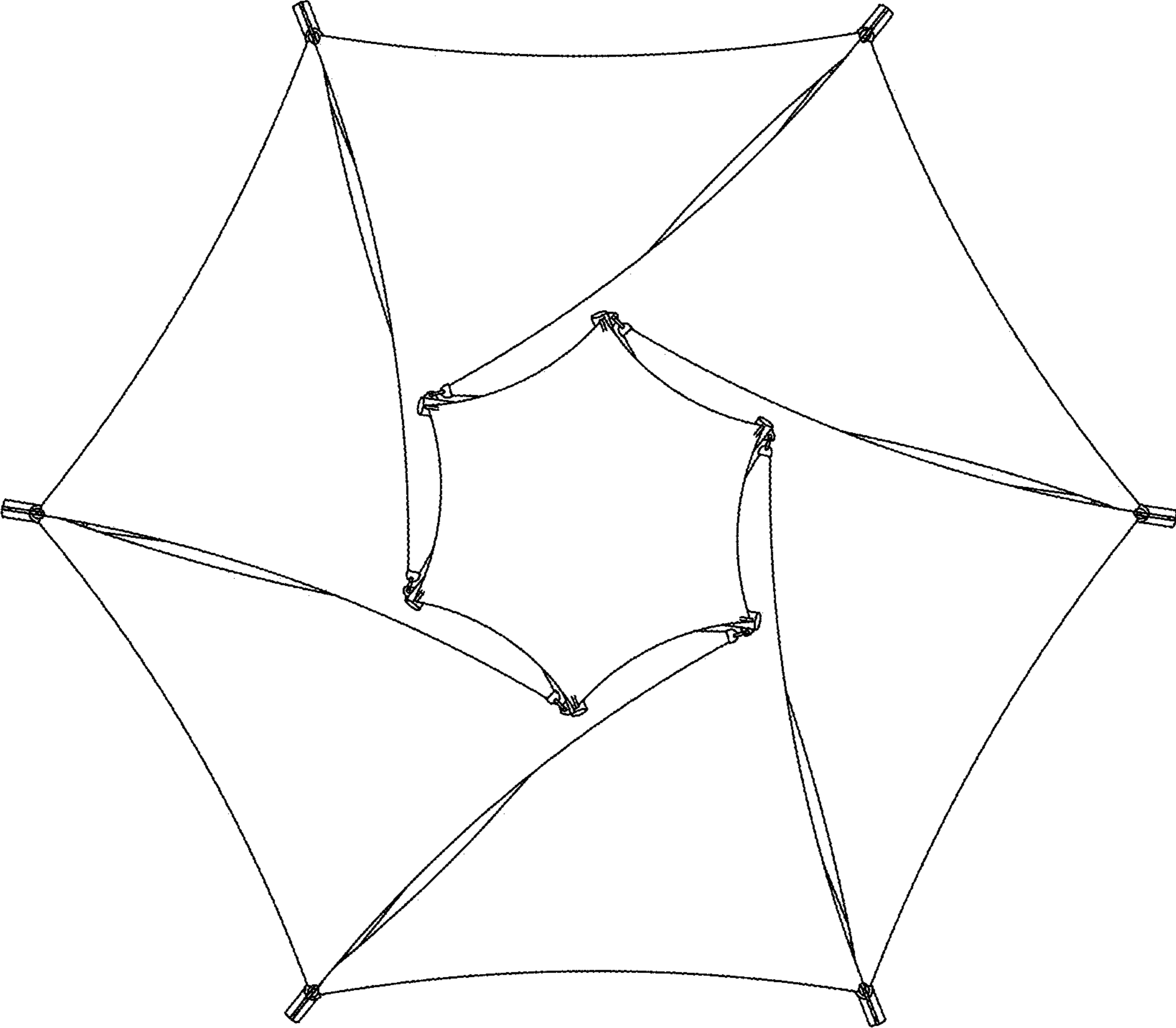


FIG. 6

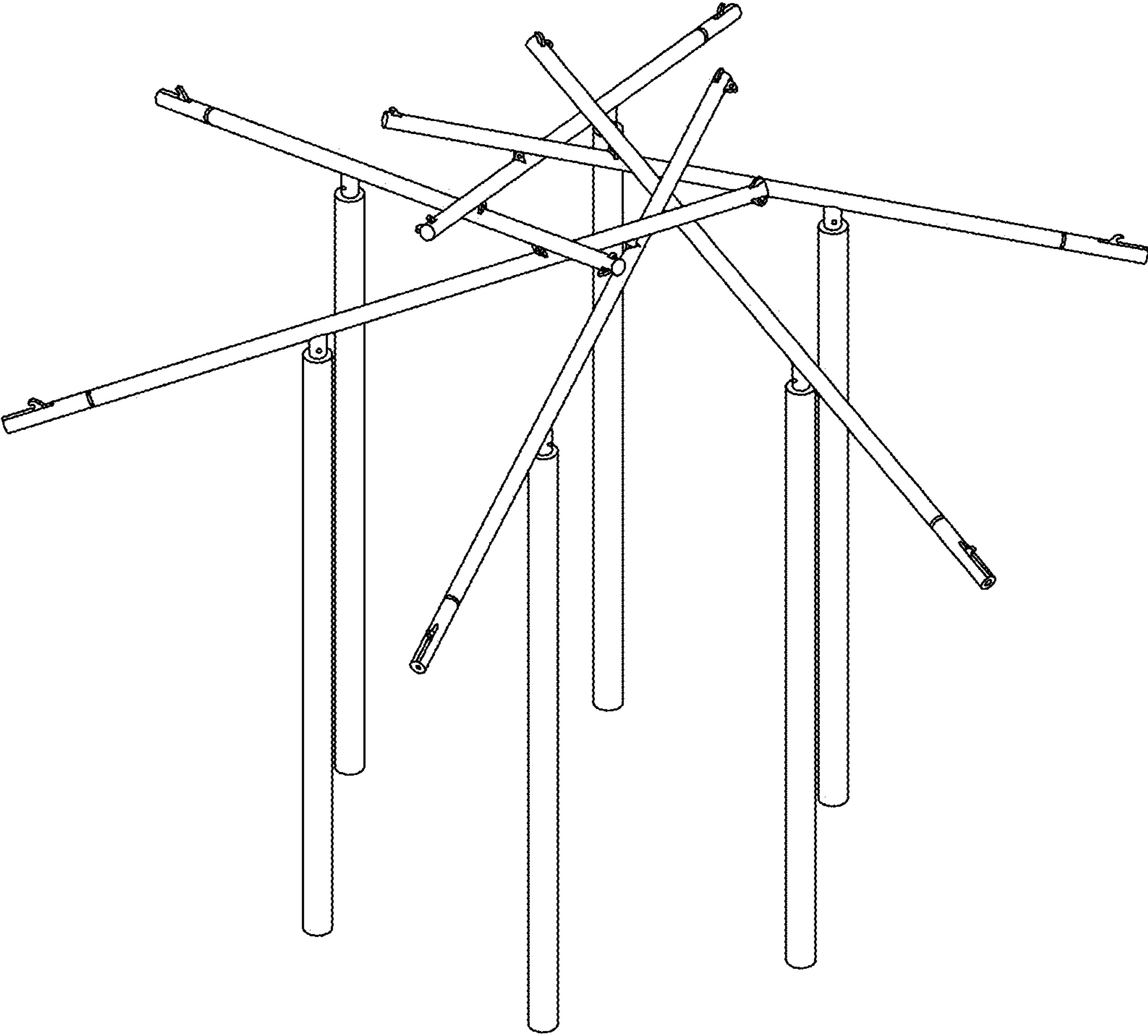


FIG. 7

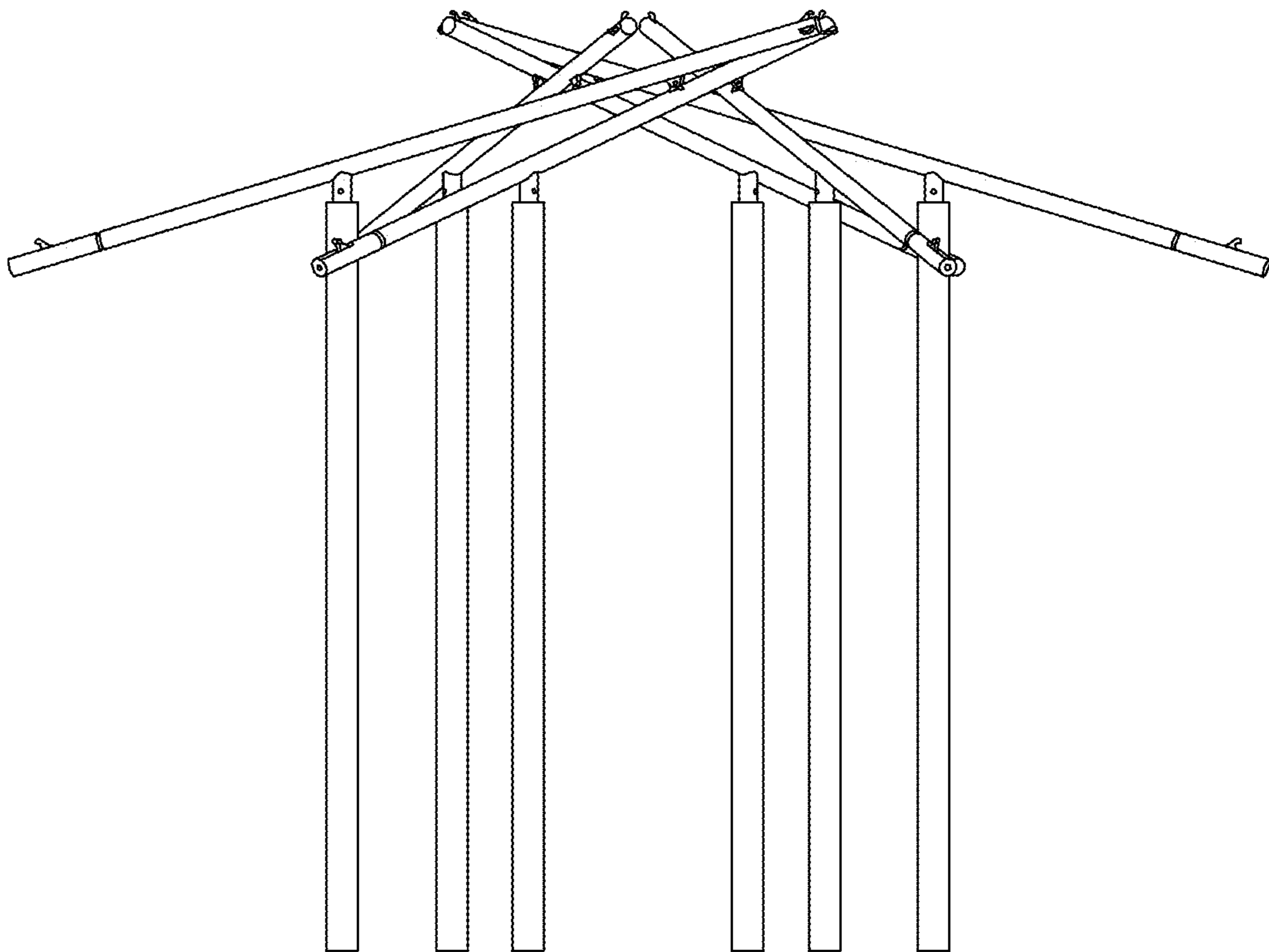


FIG. 8

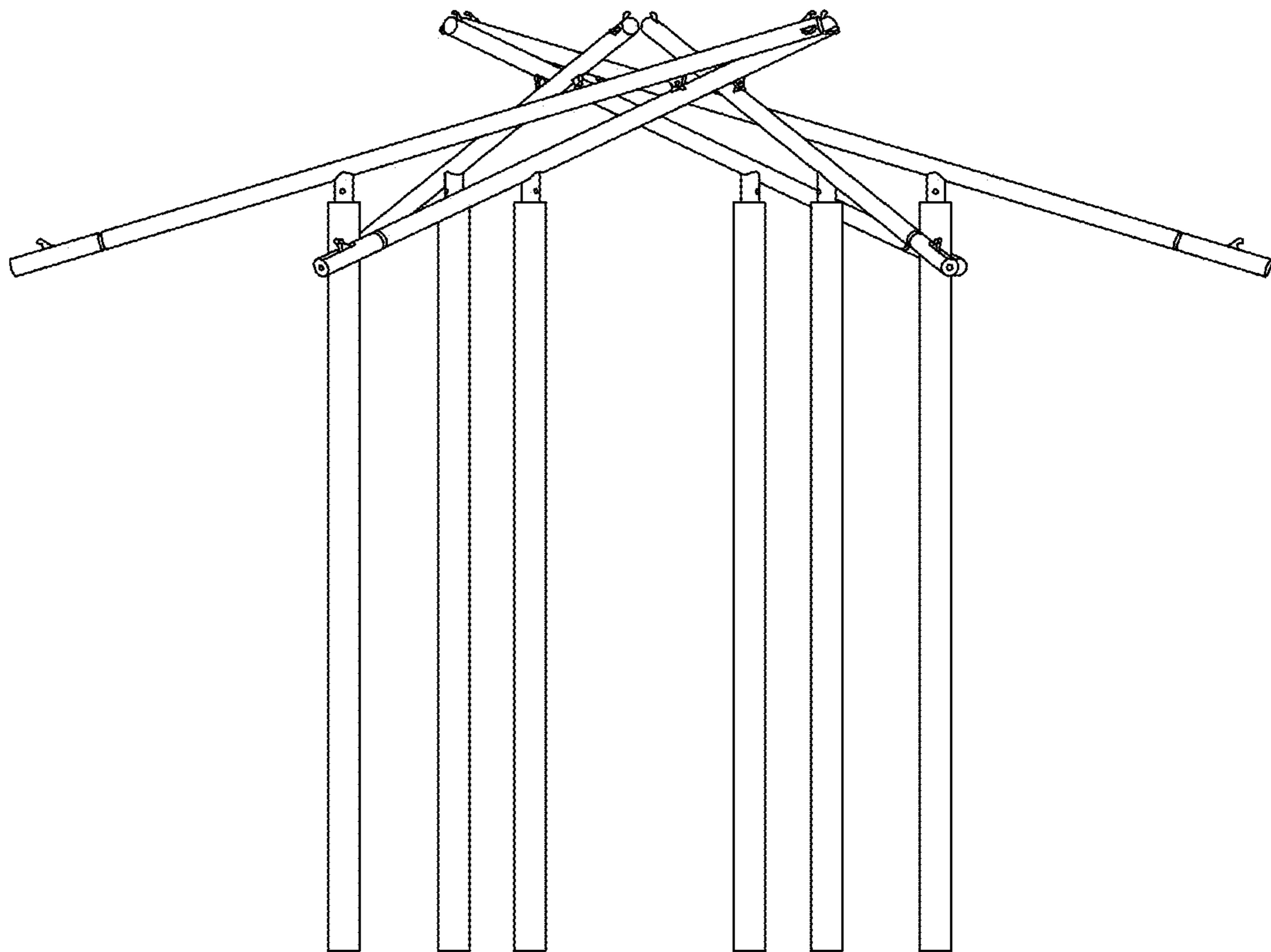


FIG. 9

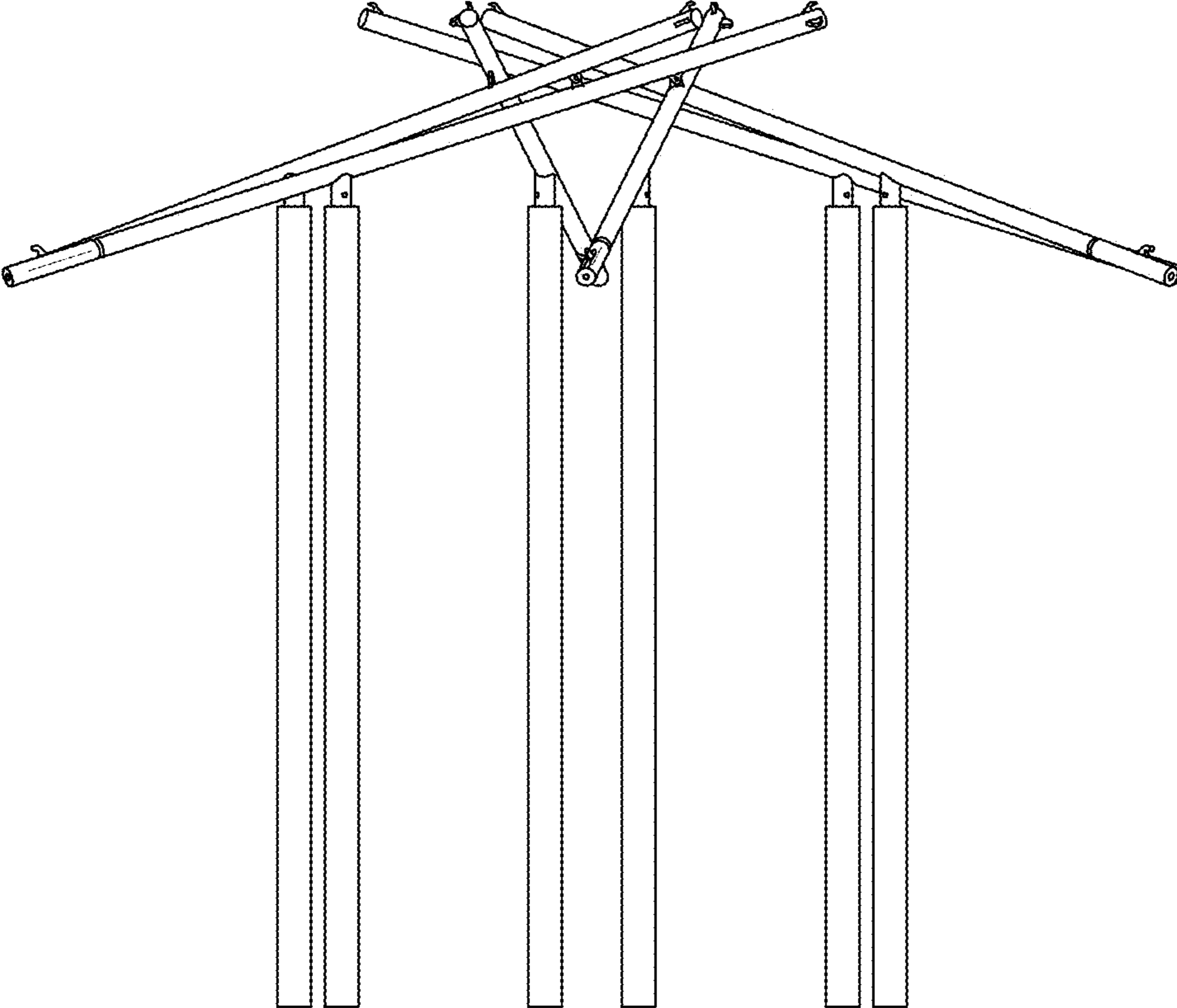


FIG. 10

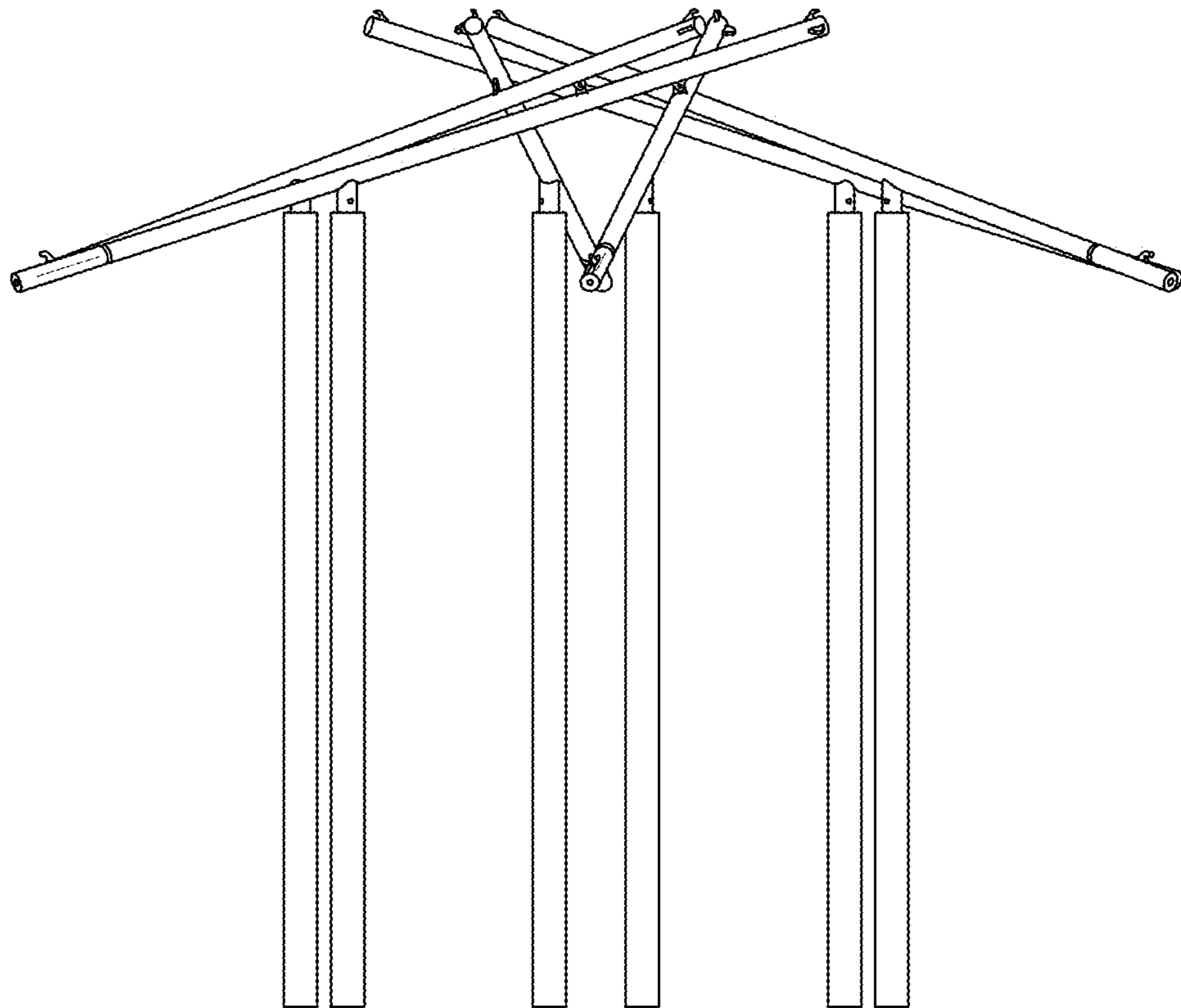


FIG. 11

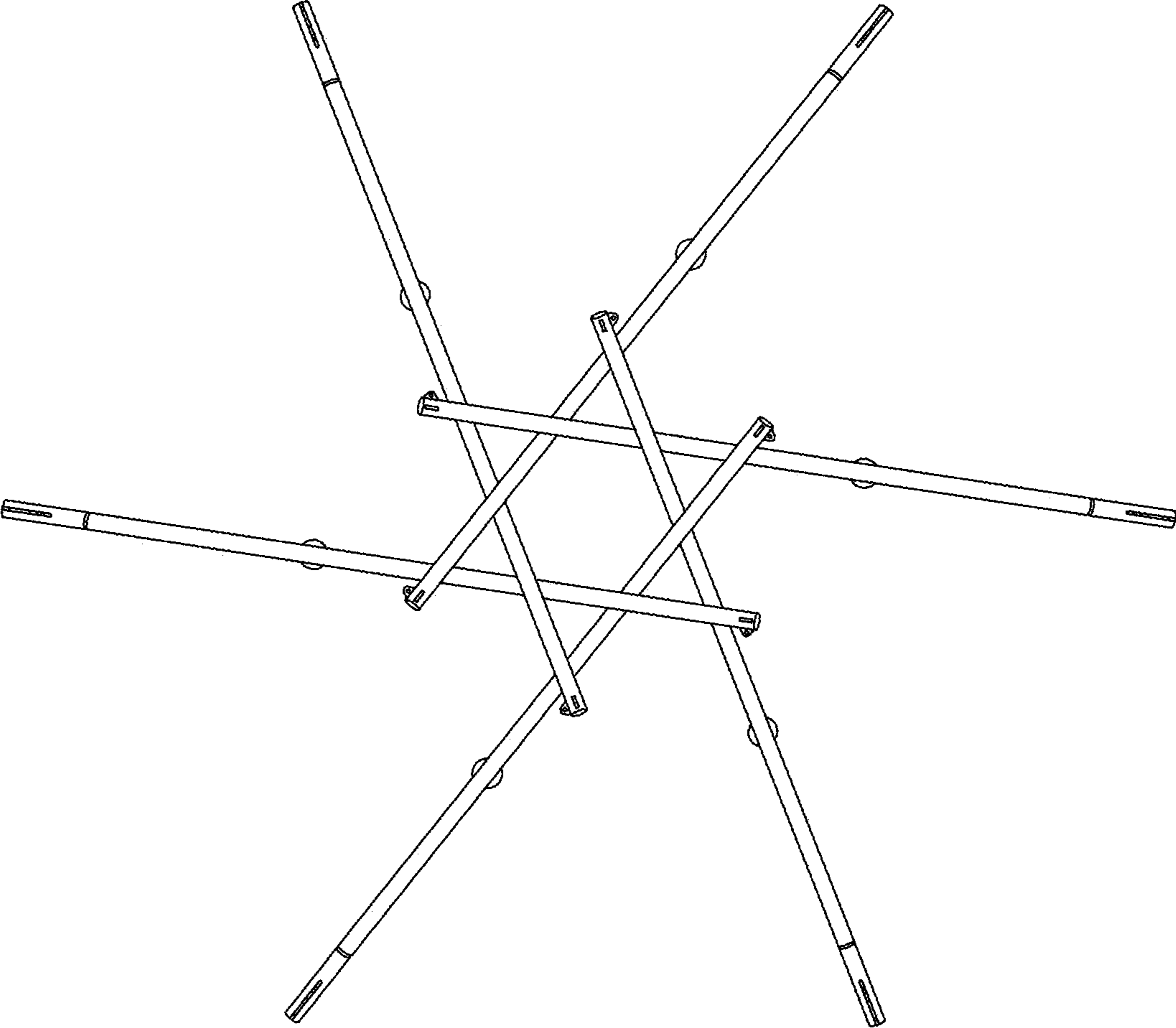


FIG. 12