



US00D896987S

(12) **United States Design Patent**  
**Feng et al.**

(10) **Patent No.:** **US D896,987 S**  
(45) **Date of Patent:** **\*\* Sep. 22, 2020**

(54) **FENCE PANEL**

D503,000 S \* 3/2005 Forbis ..... D25/126  
D523,780 S \* 6/2006 Conny ..... D12/106  
D550,376 S \* 9/2007 Hein ..... D25/126

(71) Applicant: **BODO Plastics Company LTD**, Zibo,  
Shandong Province (CN)

(Continued)

(72) Inventors: **Sun Feng**, Zibo (CN); **Zhou Xuewei**,  
Zibo (CN); **Miao Wei**, Zibo (CN)

FOREIGN PATENT DOCUMENTS

(\*\*) Term: **15 Years**

AU 2012216706 3/2013  
AU 2013100109 3/2013  
CN 203383680 1/2014

(21) Appl. No.: **29/686,115**

OTHER PUBLICATIONS

(22) Filed: **Apr. 2, 2019**

White Privacy Vinyl Fence [http://www.valleyfence.net/white\\_privacy\\_vinyl\\_fence.html](http://www.valleyfence.net/white_privacy_vinyl_fence.html) Available Oct. 3, 2017 (Year: 2017).\*

(51) **LOC (12) Cl.** ..... **25-02**

(52) **U.S. Cl.**  
USPC ..... **D25/38.1**

*Primary Examiner* — Leanne Was-Englehart

(58) **Field of Classification Search**  
USPC ..... D25/38.1, 41.1, 42, 43, 44, 119–126,  
D25/131, 132, 164, 199  
CPC ..... E04H 17/1417; E04H 17/1421; E04H  
17/1426; E04H 17/1439; E04H 17/1443;  
E04H 17/16; E04H 17/165; E04H 17/168;  
E04H 17/20; E04H 2017/1447; E04H  
2017/1478; E04H 2017/1482; E06B  
11/02; A01K 3/005; E04F 11/18; E04F  
11/1802; E04F 11/1808; E04F 11/181;  
E04F 11/1834; E04F 11/1836; E04F  
11/1842; E04F 11/1865; E04F 15/02038;  
B66C 7/02; E01F 15/0453; B63B 17/04;  
E04B 1/8227; E04B 2/7414; E04B  
2001/8423; E04B 2001/8433; E04B  
2001/8447

(57) **CLAIM**

The ornamental design for a fence panel, as shown and described.

See application file for complete search history.

**DESCRIPTION**

FIG. 1 is a front view of a fence panel showing my new design;  
FIG. 2 is a rear view of the fence panel;  
FIG. 3 is a right side view of the fence panel;  
FIG. 4 is a left side view of the fence panel;  
FIG. 5 is a top view of the fence panel;  
FIG. 6 is a bottom view of the fence panel;  
FIG. 7 is a top front side perspective exploded view of the fence panel in use; and,  
FIG. 8 is a top front side perspective detailed view taken from FIG. 7.

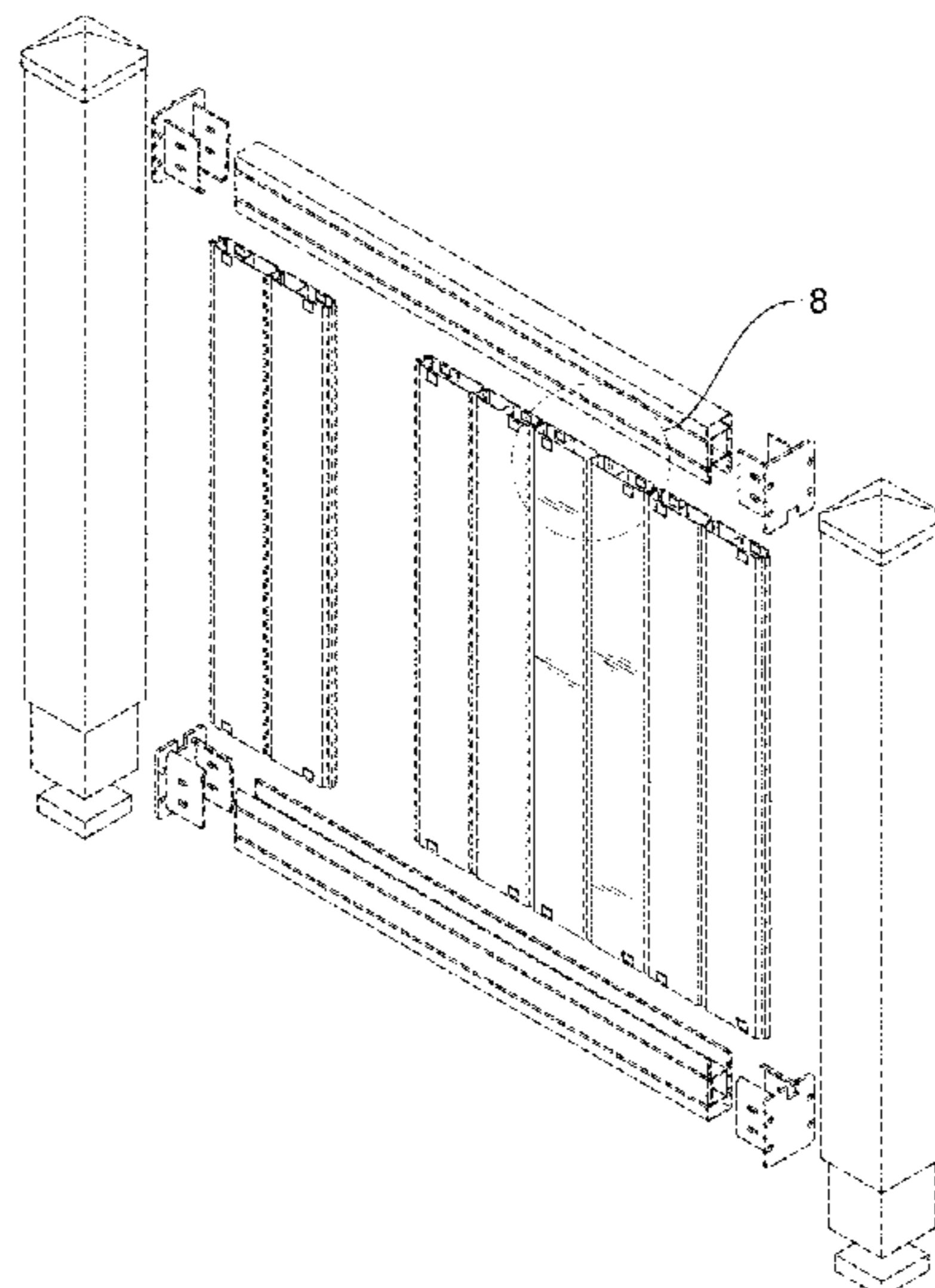
(56) **References Cited**

U.S. PATENT DOCUMENTS

4,007,919 A \* 2/1977 Totten ..... A01K 3/00  
256/59  
5,988,599 A \* 11/1999 Forbis ..... E04H 17/1417  
256/24  
D487,160 S \* 2/2004 Forbis ..... D25/126  
D487,316 S \* 3/2004 Suwanda ..... D25/138

The dot-dot-dash broken line circles in FIGS. 7 and 8 depict the limits of the enlarged/detail view and form no part of the claimed design. The broken lines showing tabs on the fence panels throughout the drawing figures form no part of the claimed design. The broken lines extrinsic to the fence panel shown in FIGS. 7 and 8 are illustrative of environmental structure forming no part of the claimed design.

**1 Claim, 4 Drawing Sheets**



(56)

**References Cited**

U.S. PATENT DOCUMENTS

7,934,699	B2	5/2011	Zell	
D684,705	S *	6/2013	Curtas .....	D25/119
D686,347	S *	7/2013	Raivio .....	D25/138
8,769,904	B1 *	7/2014	Brandt .....	E04F 15/02038
				52/177
D713,546	S *	9/2014	Murray .....	D25/38.1
9,366,055	B1 *	6/2016	Wright .....	E04H 17/00
9,476,220	B2	10/2016	Williams, Sr.	
D865,224	S *	10/2019	Harrison .....	D25/155
2007/0045602	A1 *	3/2007	Hathorn, Jr. ....	E04H 17/16
				256/24
2007/0062146	A1 *	3/2007	Van Dijk .....	E04B 1/12
				52/580
2007/0181865	A1 *	8/2007	Hein .....	E04H 17/16
				256/24
2008/0142772	A1	6/2008	Amendola	
2009/0078923	A1	3/2009	McGinness	
2012/0319067	A1	12/2012	Millar	
2016/0066536	A1	3/2016	Fitzgerald	
2016/0362909	A1 *	12/2016	Yin .....	E04H 17/1408
2018/0073297	A1	3/2018	Wright	
2019/0177997	A1 *	6/2019	Springborn .....	E04H 17/168

\* cited by examiner

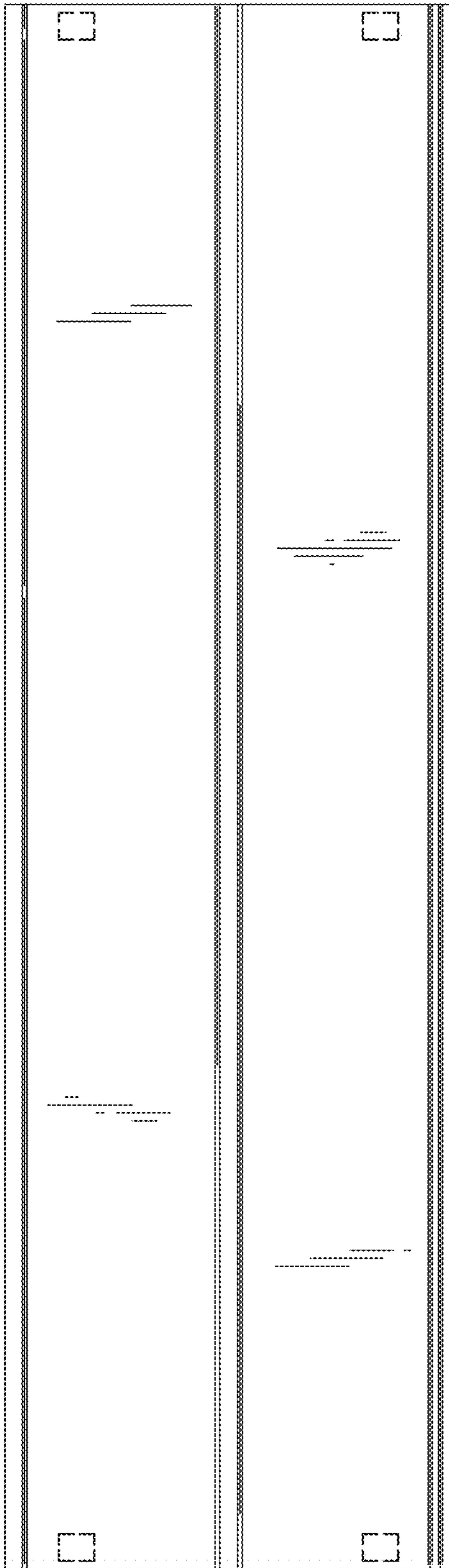


FIG. 1

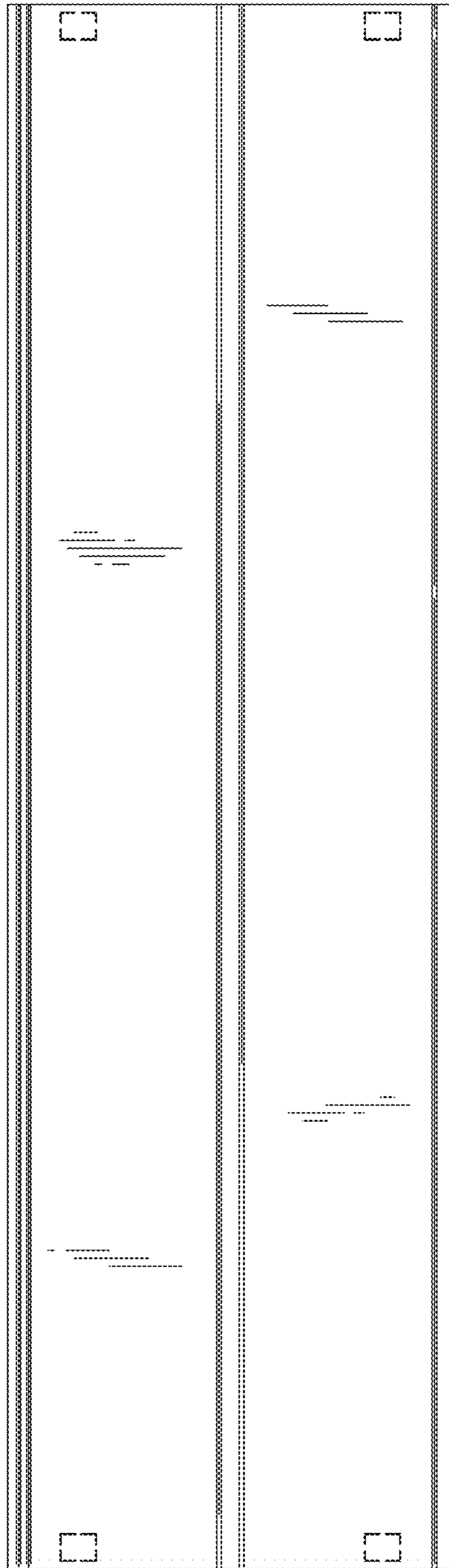


FIG. 2

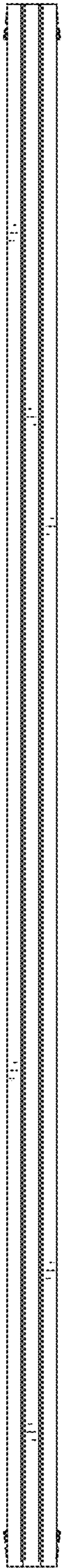


FIG. 3

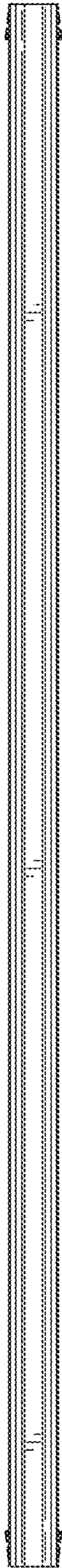


FIG. 4

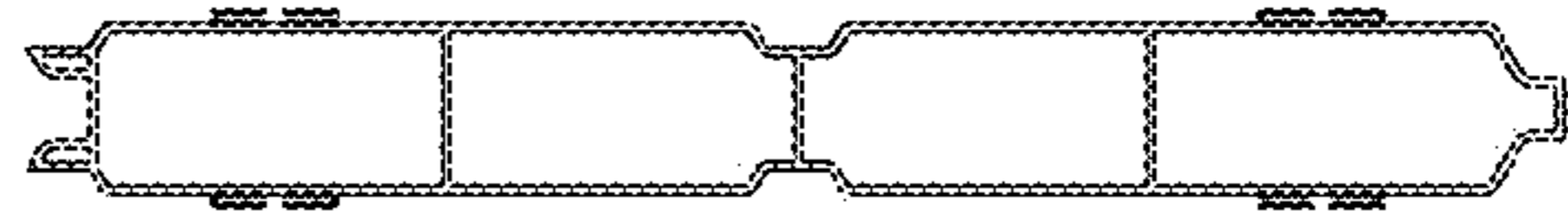


FIG. 5

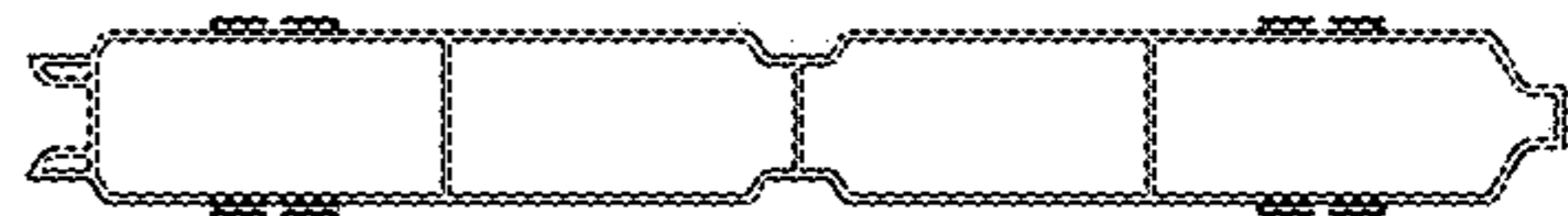
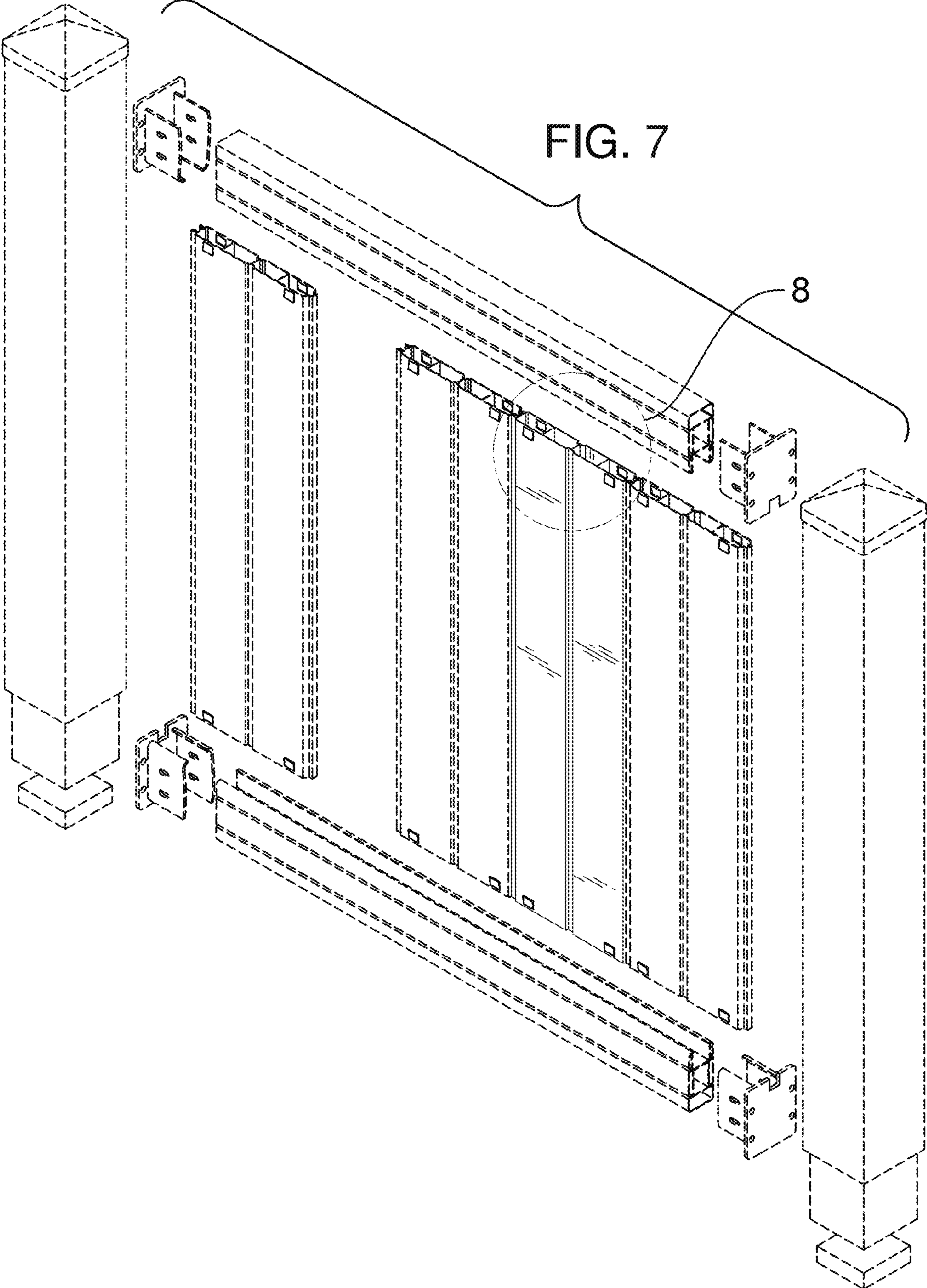


FIG. 6



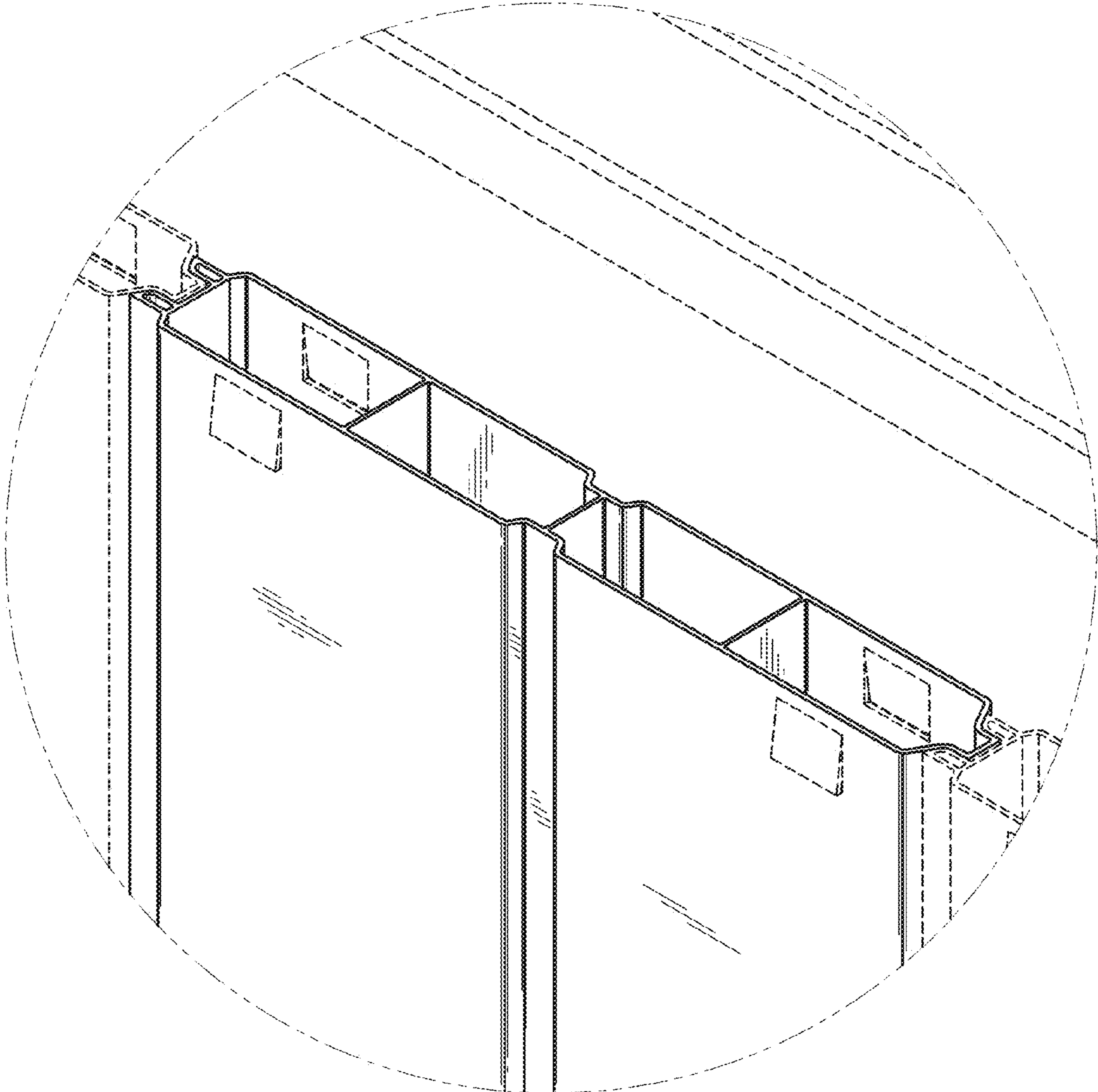


FIG. 8