

US00D896984S

(12) **United States Design Patent**  
**Feng et al.**

(10) **Patent No.:** **US D896,984 S**  
(45) **Date of Patent:** **\*\* Sep. 22, 2020**

- (54) **FENCE RAIL SET**
- (71) Applicant: **BODO Plastics Company LTD**, Zibo, Shandong Province (CN)
- (72) Inventors: **Sun Feng**, Zibo (CN); **Zhou Xuewei**, Zibo (CN)
- (\*\*) Term: **15 Years**
- (21) Appl. No.: **29/686,027**
- (22) Filed: **Apr. 2, 2019**
- (51) **LOC (12) Cl.** ..... **25-02**
- (52) **U.S. Cl.**  
USPC ..... **D25/38.1**
- (58) **Field of Classification Search**  
USPC ..... D25/38.1, 41.1, 42, 43, 44, 119–126, D25/131, 132, 164, 199  
CPC ..... E04H 17/1417; E04H 17/1421; E04H 17/1426; E04H 17/1439; E04H 17/1443; E04H 17/16; E04H 17/165; E04H 17/168; E04H 17/20; E04H 2017/1447; E04H 2017/1478; E04H 2017/1482; E06B 11/02; A01K 3/005; E04F 11/18; E04F 11/1802; E04F 11/1808; E04F 11/181; E04F 11/1834; E04F 11/1836; E04F 11/1842; E04F 11/1865; E04F 15/02038; B66C 7/02; E01F 15/0453; B63B 17/04; E04B 1/8227; E04B 2/7414; E04B 2001/8423; E04B 2001/8433; E04B 2001/8447  
See application file for complete search history.

D509,594	S *	9/2005	Curtas	.....	D25/38.1
D548,363	S *	8/2007	Hein	.....	D25/38.1
D562,992	S *	2/2008	Szczekocki	.....	D25/121
7,934,699	B2	5/2011	Zell		
D705,945	S *	5/2014	Dixon	.....	D25/121
9,476,220	B2	10/2016	Williams, Sr.		
D852,378	S *	6/2019	Springborn	.....	D25/38.1
D852,382	S *	6/2019	Springborn	.....	D25/38.1
10,458,180	B2 *	10/2019	Wright	.....	E06B 3/7003
2008/0142772	A1	6/2008	Amendola		
2009/0078923	A1	3/2009	McGinness		
2012/0319067	A1	12/2012	Millar		
2016/0066536	A1	3/2016	Fitzgerald		
2018/0073297	A1	3/2018	Wright		

(Continued)

**FOREIGN PATENT DOCUMENTS**

AU	2012216706	3/2013
AU	2013100109	3/2013
CN	203383680	1/2014

*Primary Examiner* — Leanne Was-Englehart

(57) **CLAIM**

The ornamental design for a fence rail set, as shown and described.

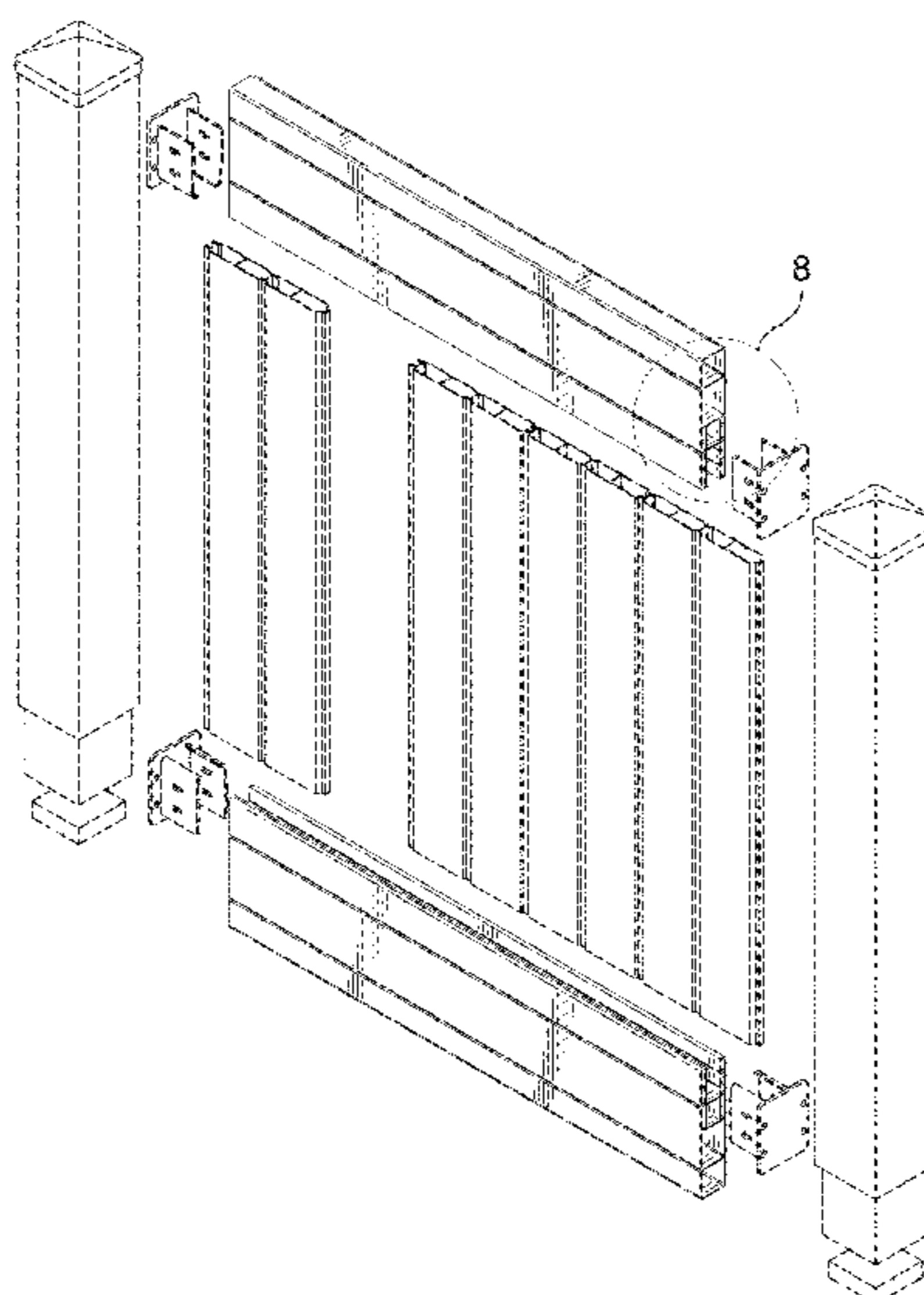
**DESCRIPTION**

FIG. 1 is a front view of fence rail set showing my new design;  
 FIG. 2 is a rear view of the fence rail set;  
 FIG. 3 is a right side view of the fence rail set;  
 FIG. 4 is a left side view of the fence rail set;  
 FIG. 5 is a top view of the fence rail set;  
 FIG. 6 is a bottom view of the fence rail set;  
 FIG. 7 is an exploded top front side perspective view of the fence rail set in use; and,  
 FIG. 8 is a top front side detailed perspective view of an end of one of the fence rail set.  
 The broken lines in FIGS. 7 and 8 are illustrative of environmental structure forming no part of the claimed design.

**1 Claim, 6 Drawing Sheets**

(56) **References Cited**  
**U.S. PATENT DOCUMENTS**

4,188,019	A *	2/1980	Meredith	.....	E04F 11/181 256/24
D446,315	S *	8/2001	Forbis	.....	D25/38.1
D472,327	S *	3/2003	Heath	.....	D25/38.1
D497,432	S *	10/2004	Ohanesian	.....	D25/38.1



(56)

**References Cited**

U.S. PATENT DOCUMENTS

2019/0010726 A1\* 1/2019 Mann ..... E04H 17/063  
2019/0177997 A1\* 6/2019 Springborn ..... E04H 17/168

\* cited by examiner

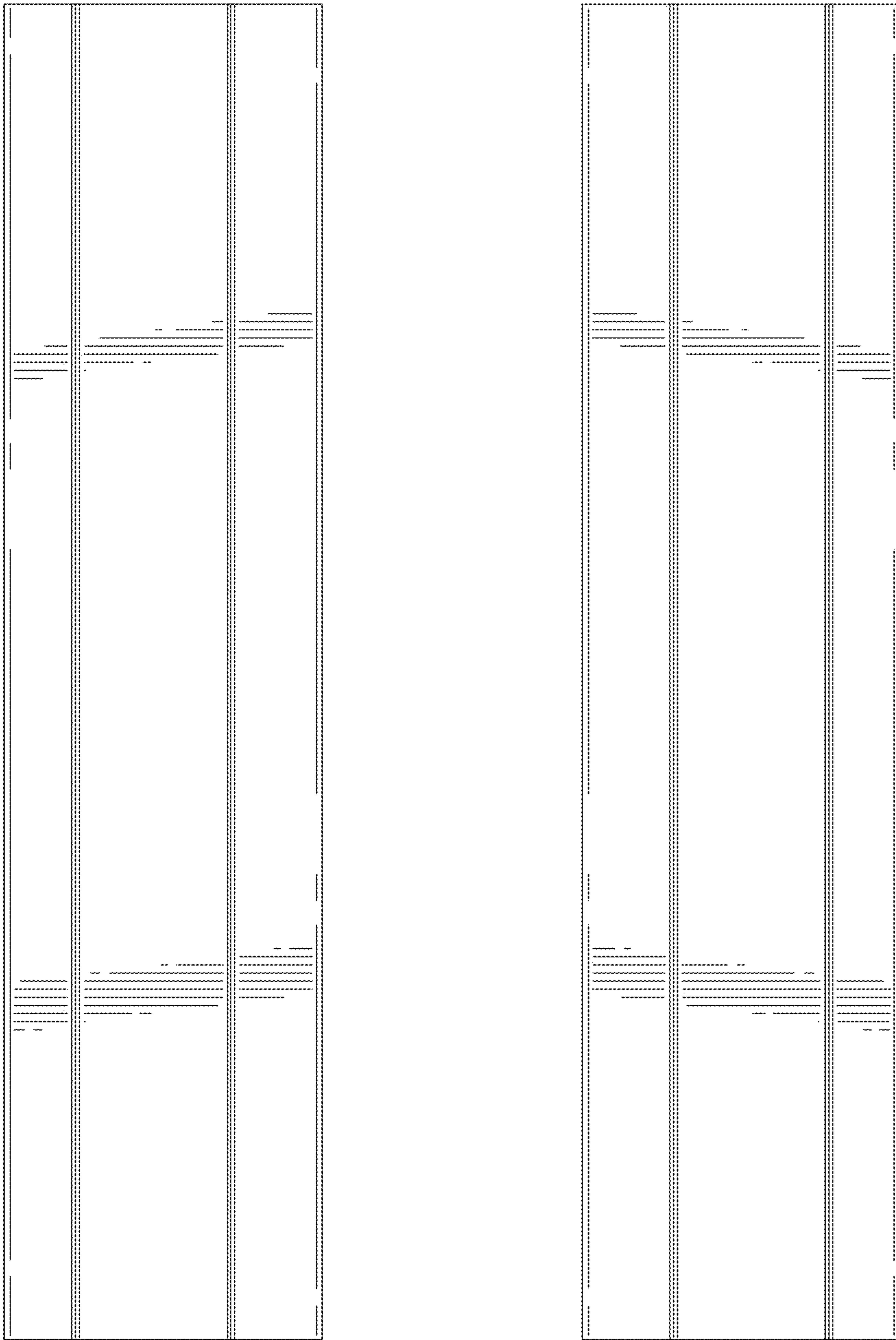


FIG. 1

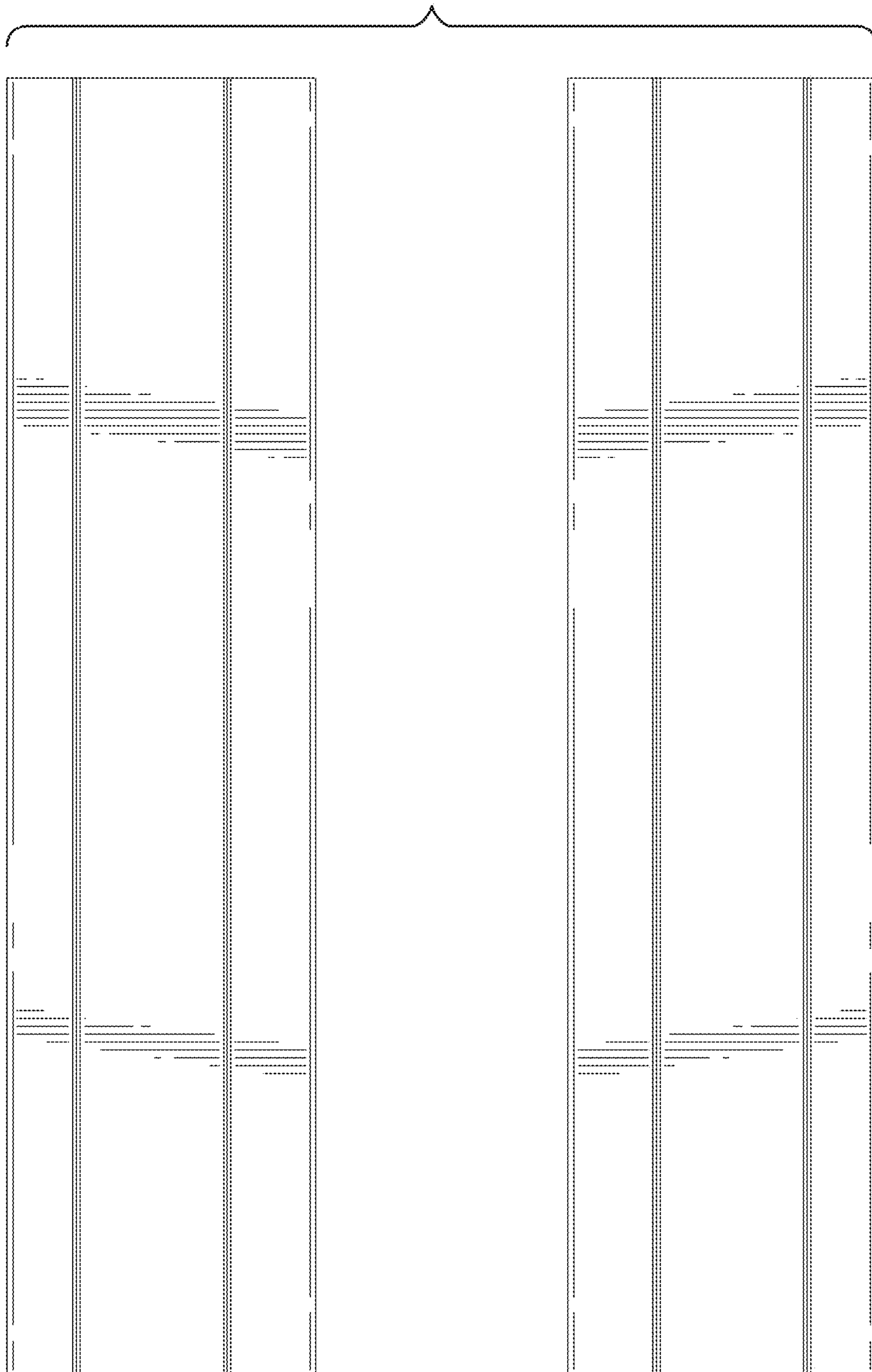


FIG. 2

FIG. 4

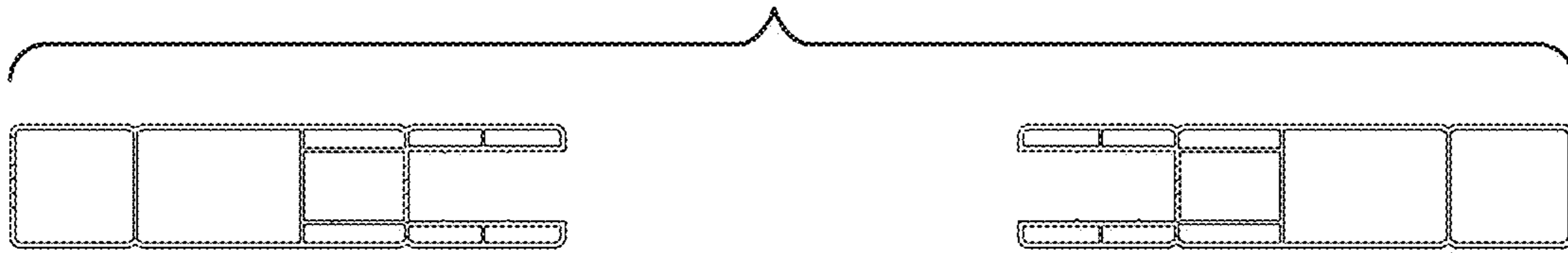


FIG. 3

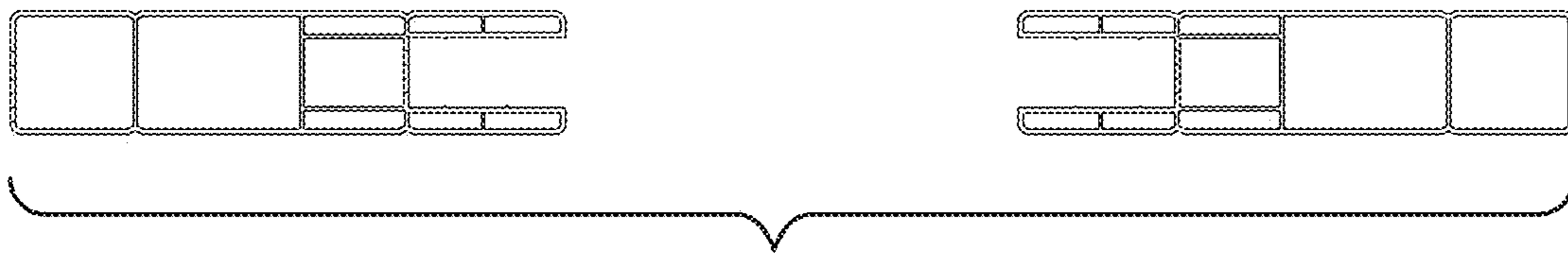






FIG. 5

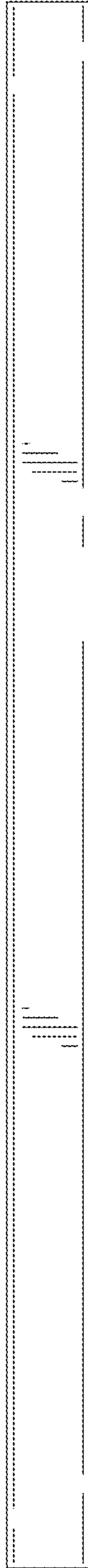


FIG. 6

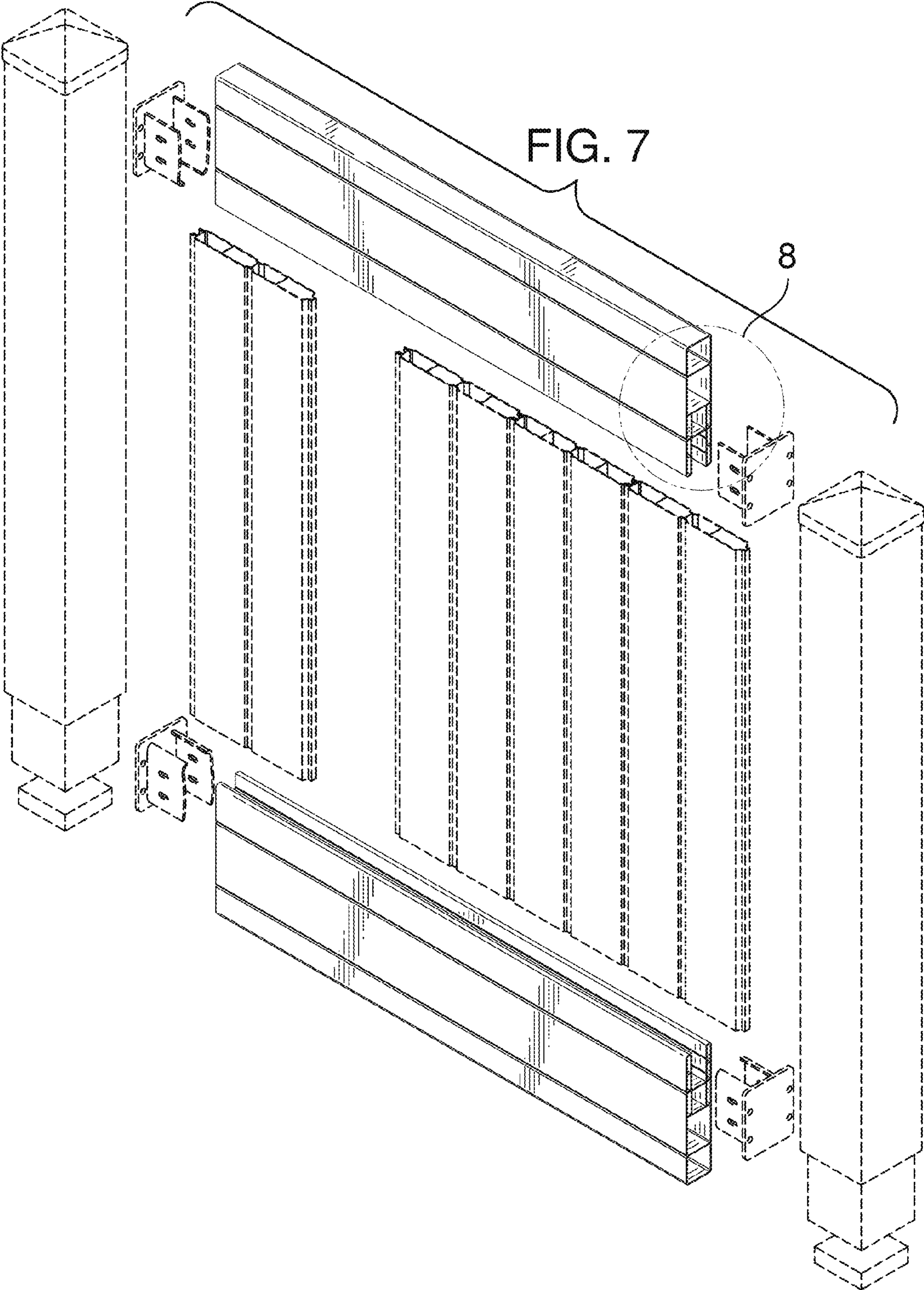


FIG. 8

