



US00D896982S

(12) **United States Design Patent** (10) **Patent No.:** **US D896,982 S**
Cho (45) **Date of Patent:** **** Sep. 22, 2020**

(54) **BUILDING**

(71) Applicant: **Inje Cho**, Seoul (KR)

(72) Inventor: **Inje Cho**, Seoul (KR)

(**) Term: **15 Years**

(21) Appl. No.: **29/653,423**

(22) Filed: **Jun. 14, 2018**

(51) **LOC (12) Cl.** **25-03**

(52) **U.S. Cl.**

USPC **D25/5; D25/31**

(58) **Field of Classification Search**

USPC D25/1-35, 55-61

CPC E04H 1/12-1244; E04H 1/00-06; E04H 3/00-10; E04H 3/12; E04H 3/14; E04H 3/22; E04H 3/24-28; E04H 6/00; E04H 6/08

See application file for complete search history.

(56) **References Cited**

U.S. PATENT DOCUMENTS

D222,343 S * 10/1971 Mullen D25/4

D223,485 S * 4/1972 Mullen D25/4

4,429,501 A * 2/1984 de Brabant E04H 1/04 52/236.2

D273,228 S * 3/1984 Cotton D25/1

D275,306 S * 8/1984 Edwards D25/31

D275,307 S * 8/1984 Edwards D25/31

D833,642 S * 11/2018 Garcia, III D25/6

* cited by examiner

Primary Examiner — Brett Miller

(74) *Attorney, Agent, or Firm* — Maschoff Brennan

(57) **CLAIM**

The ornamental design for a building, as shown and described.

DESCRIPTION

FIG. 1 is a top front perspective view of a building showing our new design;

FIG. 2 is a front view thereof;

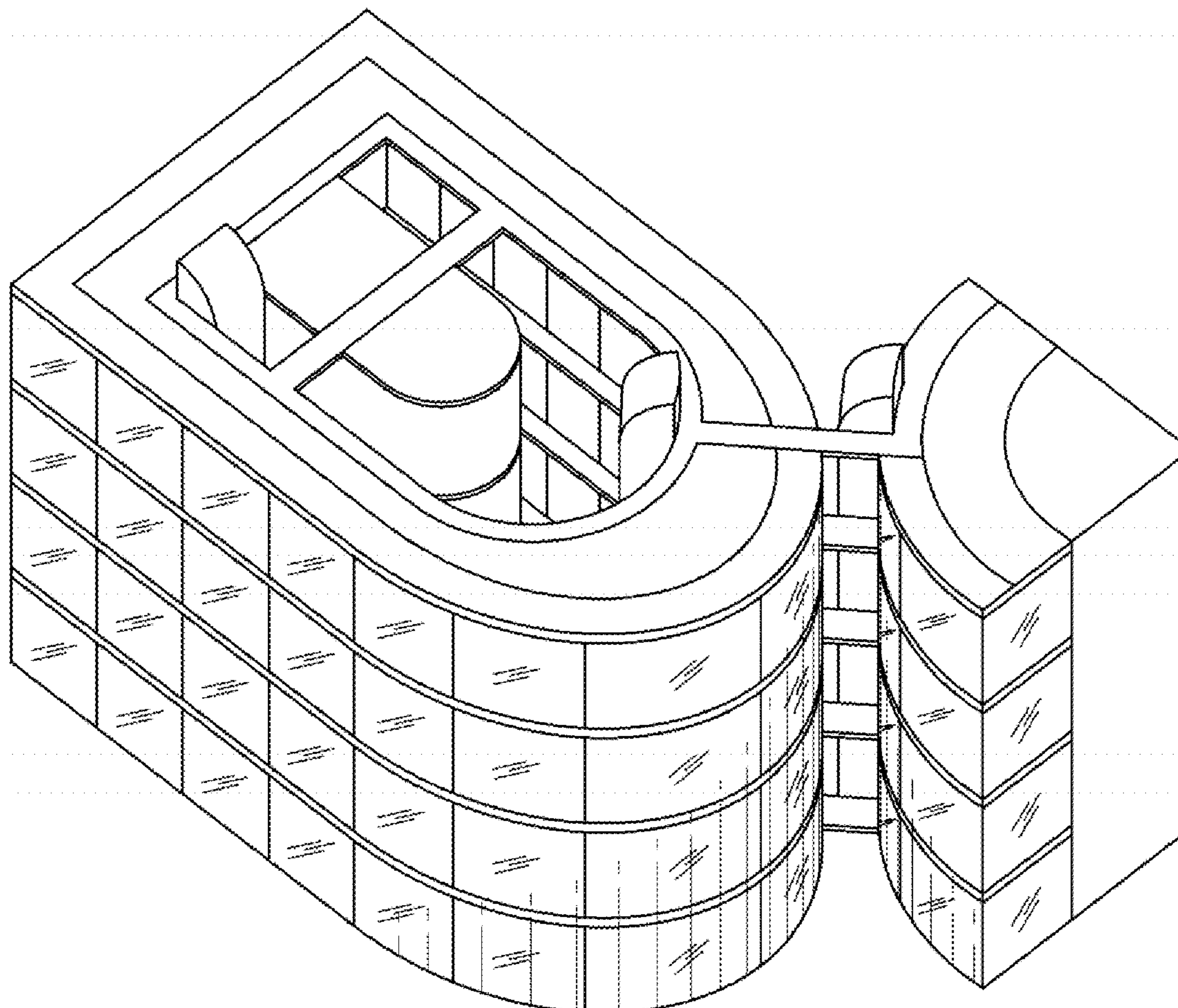
FIG. 3 is a back view thereof;

FIG. 4 is a left side view thereof;

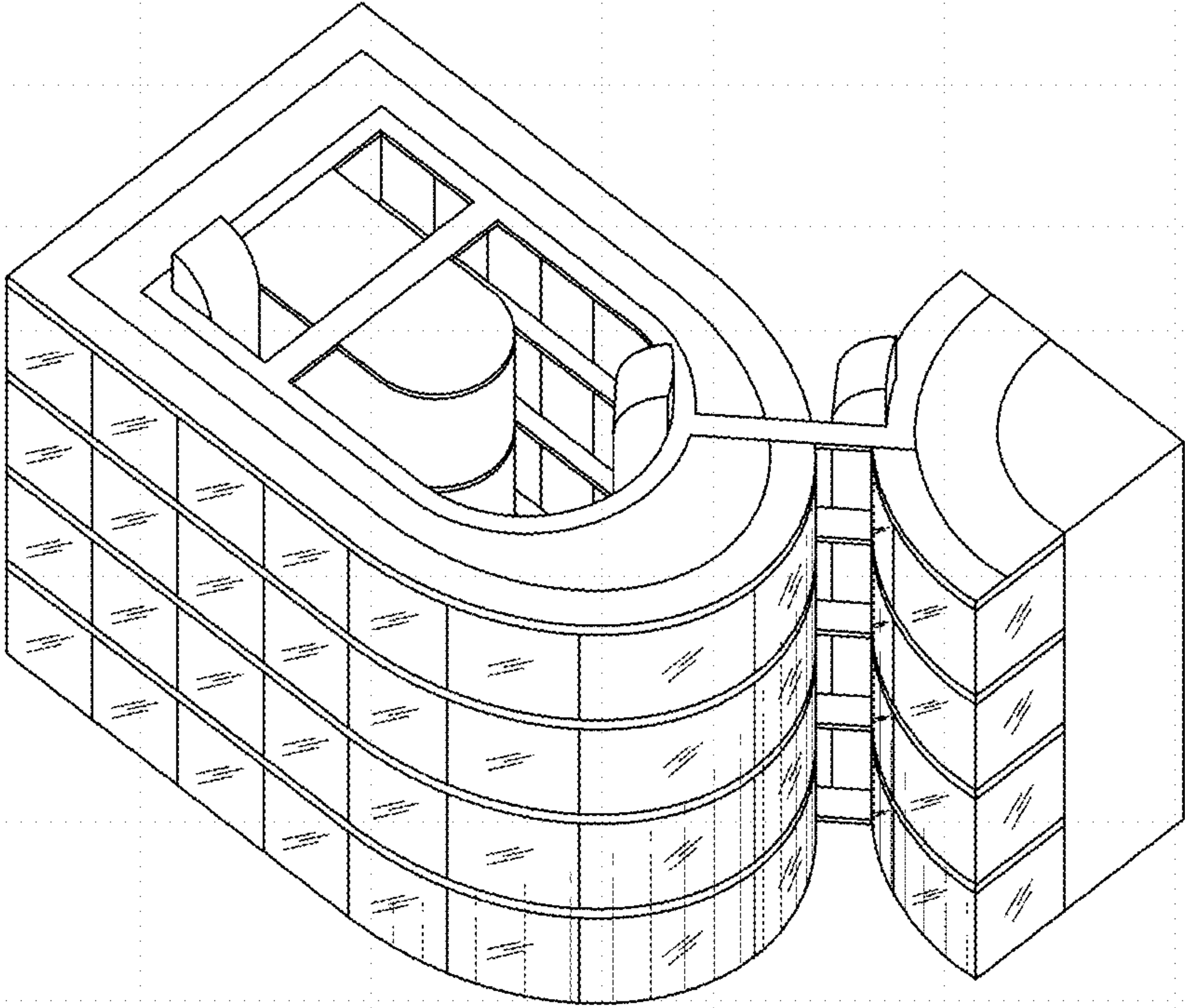
FIG. 5 is a right side view thereof; and,

FIG. 6 is a top view thereof.

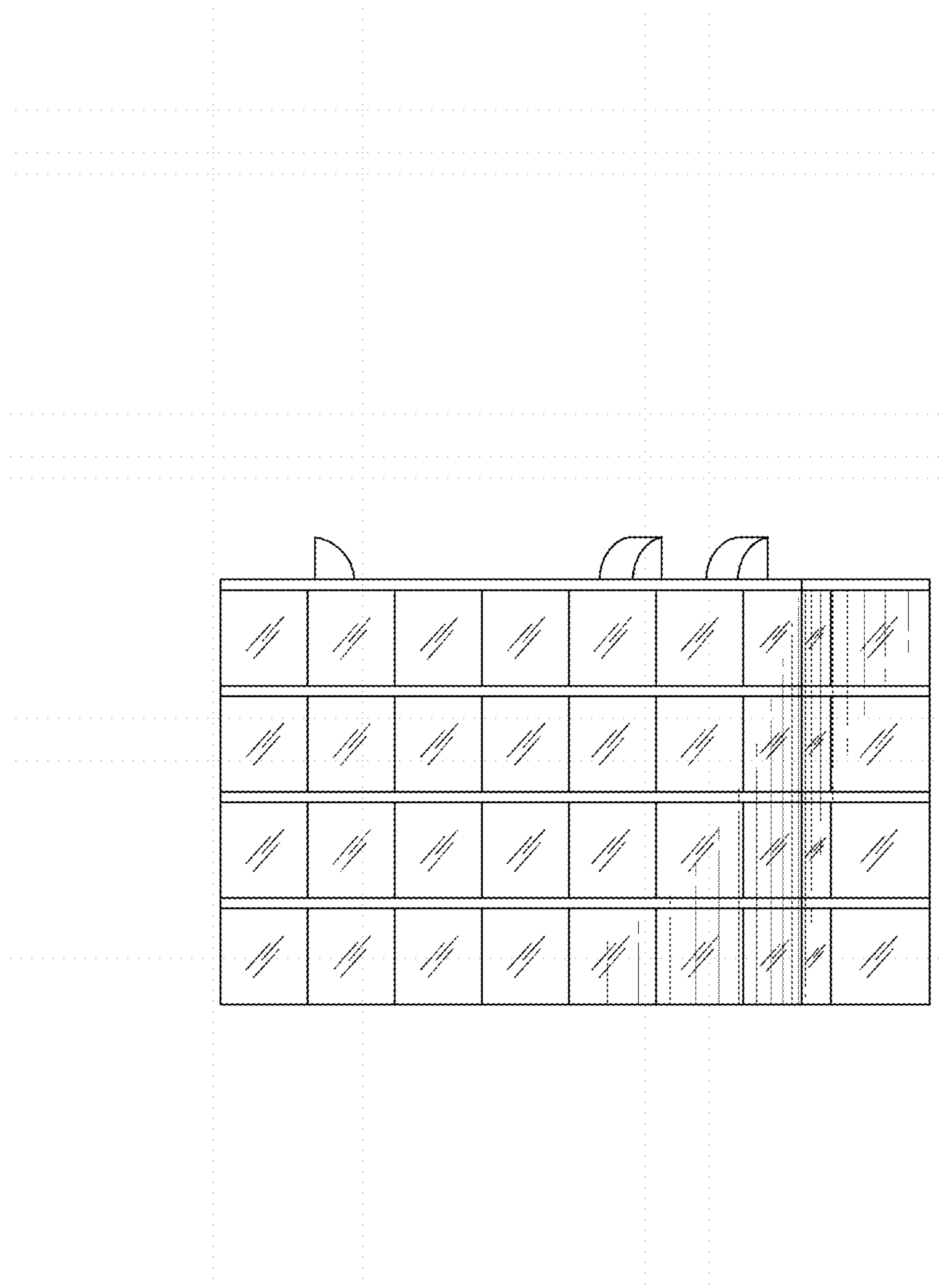
1 Claim, 6 Drawing Sheets



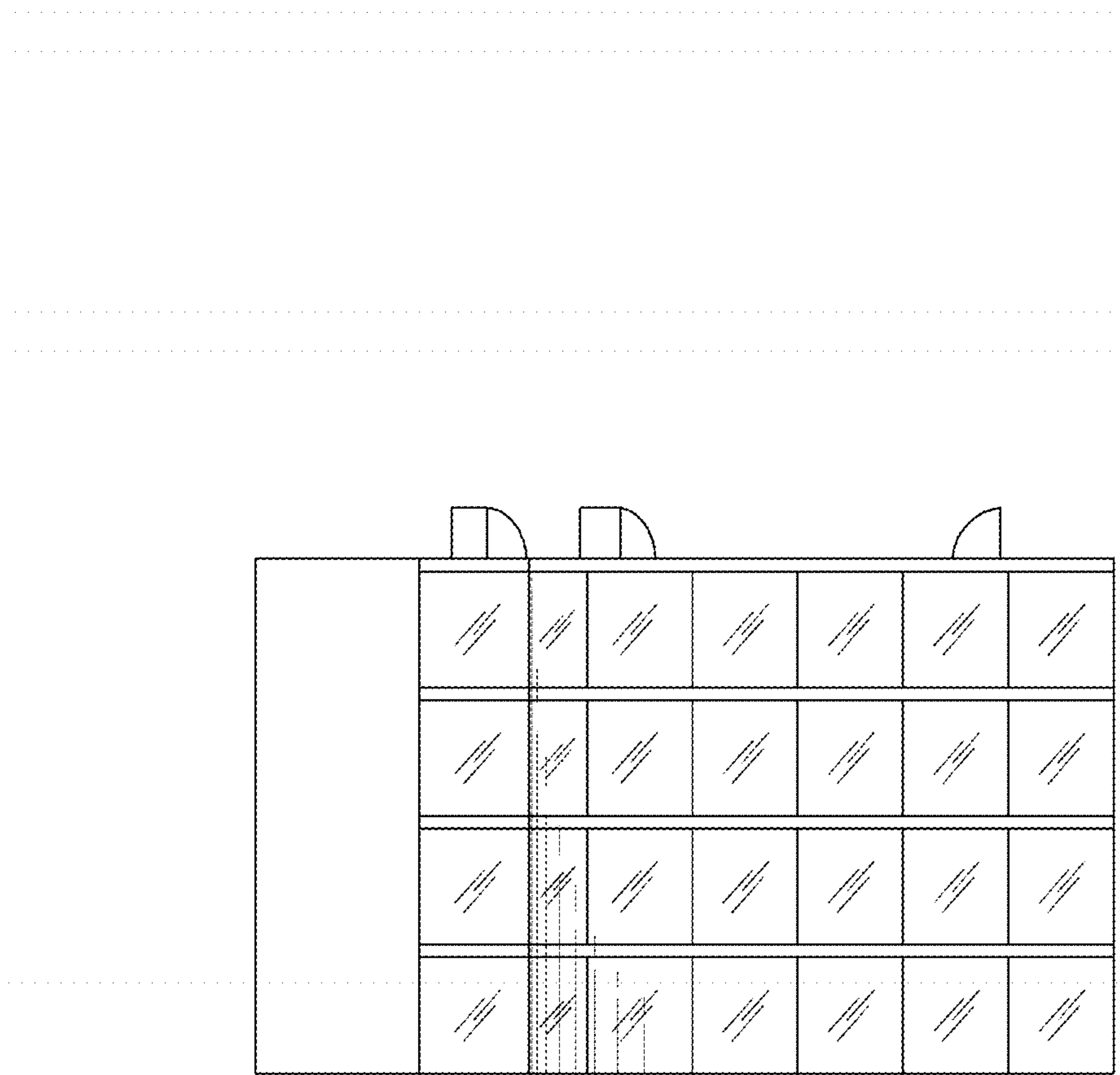
【FIG.1】



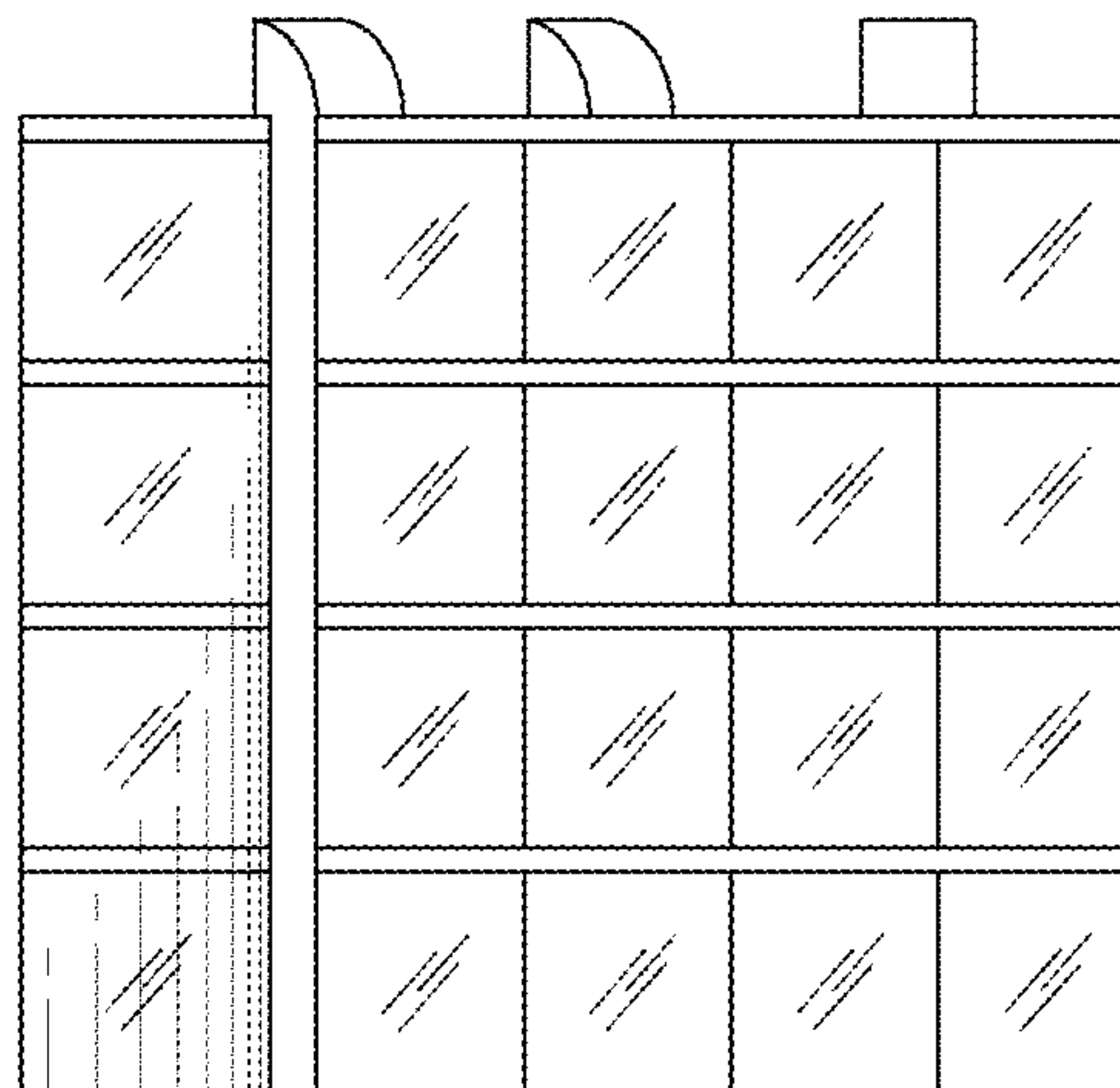
【FIG.2】



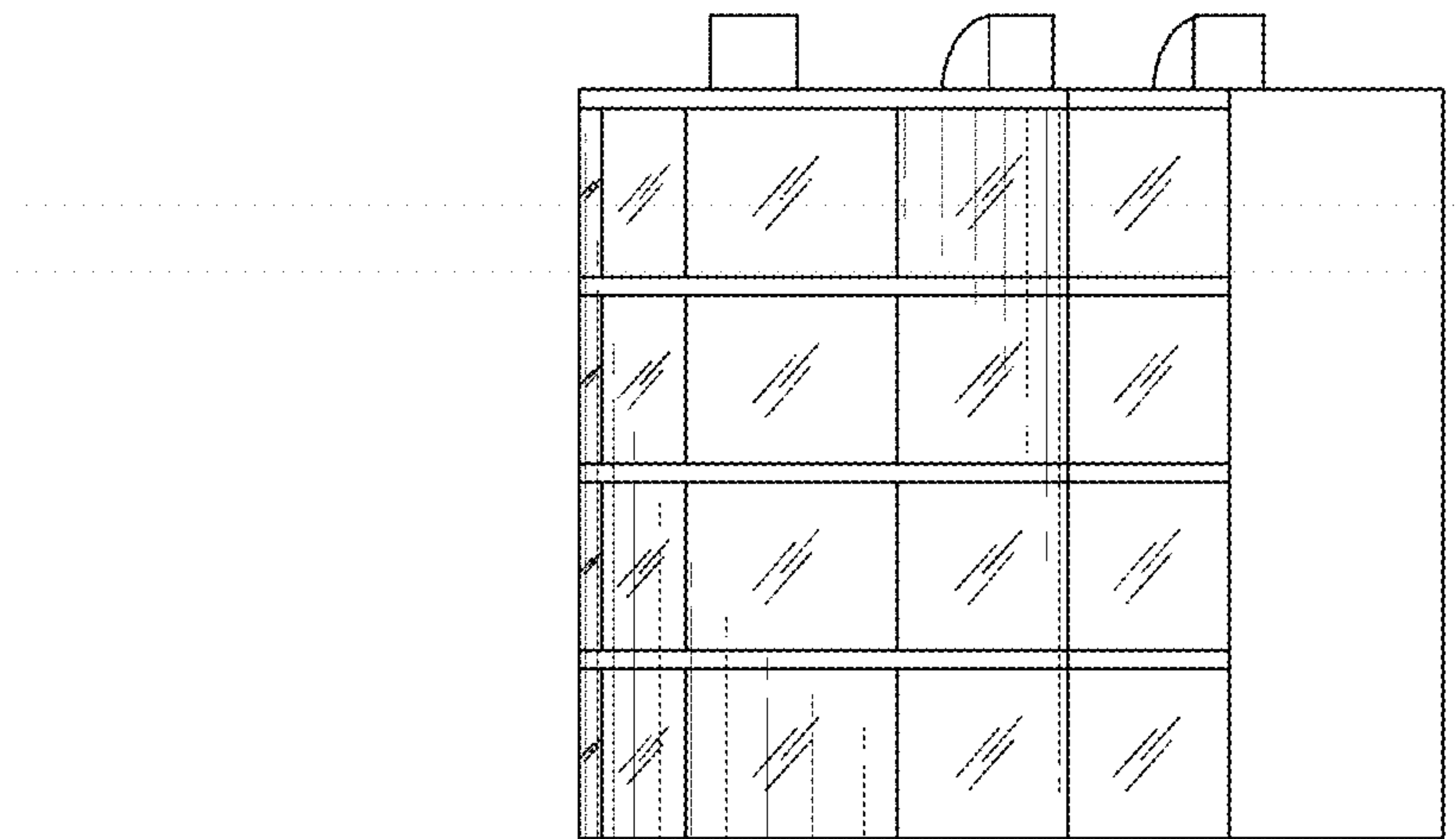
【FIG.3】



【FIG.4】



【FIG.5】



【FIG.6】

