



US00D896980S

(12) **United States Design Patent** (10) **Patent No.:** **US D896,980 S**
Esala et al. (45) **Date of Patent:** **** Sep. 22, 2020**

(54) **COLUMN**
(71) Applicant: **Biotage AB**, Uppsala (SE)
(72) Inventors: **Juha Esala**, Vattholma (SE); **Andreas Norlén**, Bergshamra (SE)
(73) Assignee: **Biotage AB**, Uppsala (SE)
(**) Term: **15 Years**

D690,827 S * 10/2013 Curry D24/224
D693,941 S * 11/2013 Curry D24/224
D720,459 S * 12/2014 Faux D24/171
D724,204 S * 3/2015 Shubin, Sr. D24/121
D740,438 S * 10/2015 Curry D24/224
D784,529 S * 4/2017 Steele D24/129
D824,027 S * 7/2018 Flores D24/140
D828,576 S * 9/2018 Nakagawa D24/224
2012/0037555 A1* 2/2012 Lundin B01D 15/22
210/198.2

(21) Appl. No.: **29/656,286**
(22) Filed: **Jul. 11, 2018**

(30) **Foreign Application Priority Data**

Feb. 8, 2018 (SE) 2018/0021

(51) **LOC (12) Cl.** **24-02**
(52) **U.S. Cl.**
USPC **D24/224**
(58) **Field of Classification Search**
USPC D24/112, 129, 166, 232, 107-108, 165,
D24/216, 231, 224; D23/259, 262-266,
D23/268; D8/382
CPC F16L 33/225; F16L 37/091; F16L 35/00
See application file for complete search history.

(56) **References Cited**

U.S. PATENT DOCUMENTS

D216,698 S * 3/1970 Startin D13/146
D254,445 S * 3/1980 Boghosian D24/224
D285,290 S * 8/1986 Shalon D10/81
D292,827 S * 11/1987 Fele D24/222
D418,603 S * 1/2000 Gallant D12/133
D495,050 S * 8/2004 Guala D24/108
D500,856 S * 1/2005 Hellstrom D10/81
D569,008 S * 5/2008 Lundqvist D24/232
D613,873 S * 4/2010 Jia D24/224
D639,979 S * 6/2011 Hermansson D24/232

OTHER PUBLICATIONS

Biotage® Selekt . Online, published date Oct. 1, 2018. Retrieved on Aug. 14, 2019 from URL: <https://selekt.biotage.com/blog/biotage-selekt>.*

* cited by examiner

Primary Examiner — Susan Bennett Hattan

Assistant Examiner — Omeed Agilee

(74) *Attorney, Agent, or Firm* — Fox Rothschild LLP

(57) **CLAIM**

The ornamental design for a column, as shown and described.

DESCRIPTION

FIG. 1 is a perspective view of a column according to the new design;

FIG. 2 is a back view thereof;

FIG. 3 is a front view thereof;

FIG. 4 is a left view thereof;

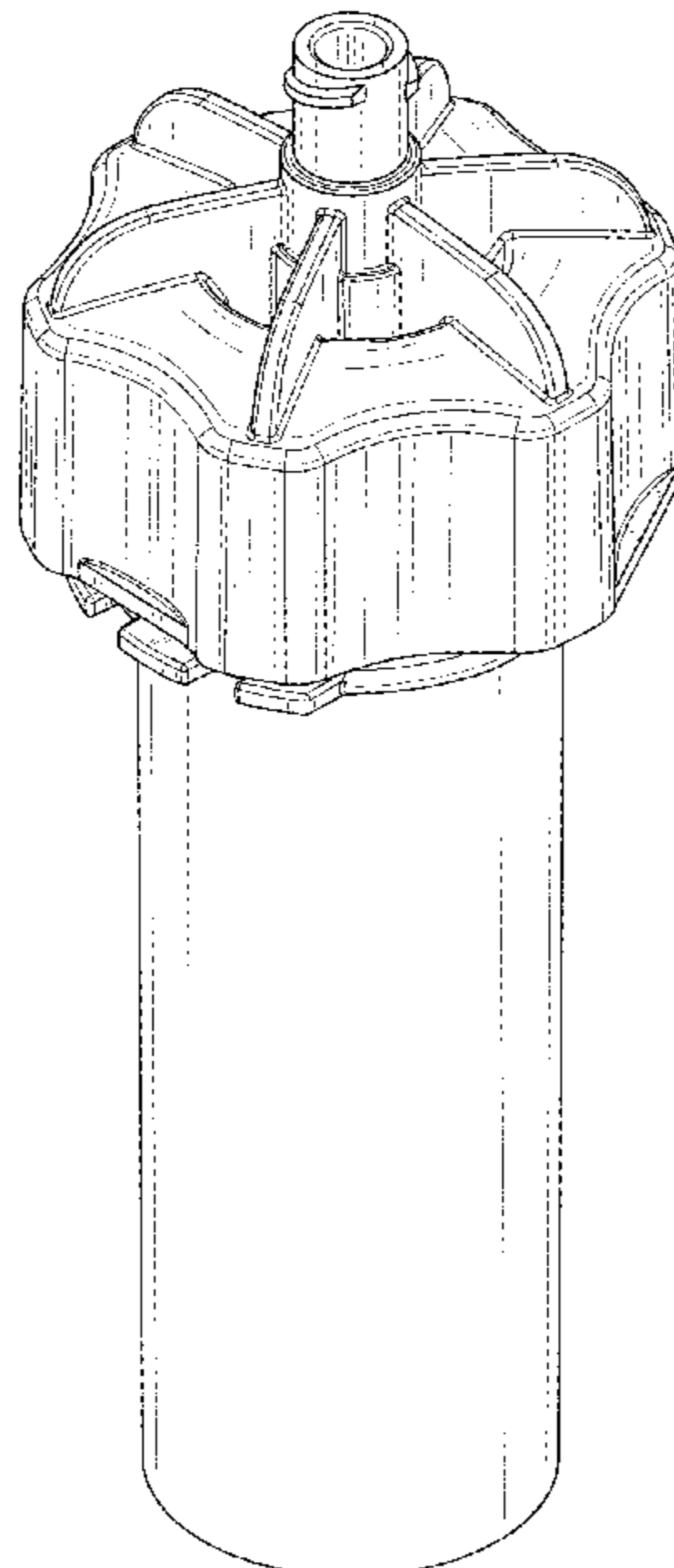
FIG. 5 is a right view thereof;

FIG. 6 is a bottom view thereof; and,

FIG. 7 is a top view thereof.

The broken lines in the drawings depict portions of the column that form no part of the claimed design.

1 Claim, 7 Drawing Sheets



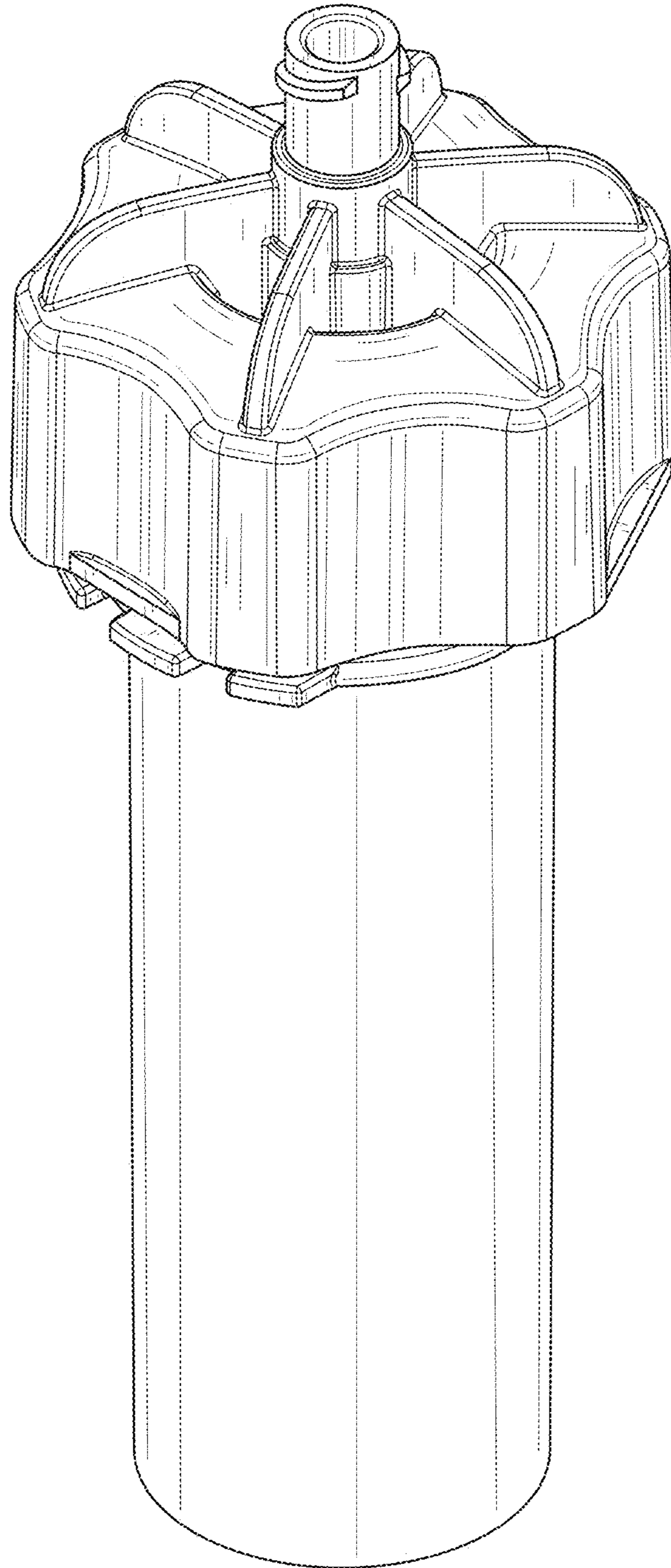


FIG. 1

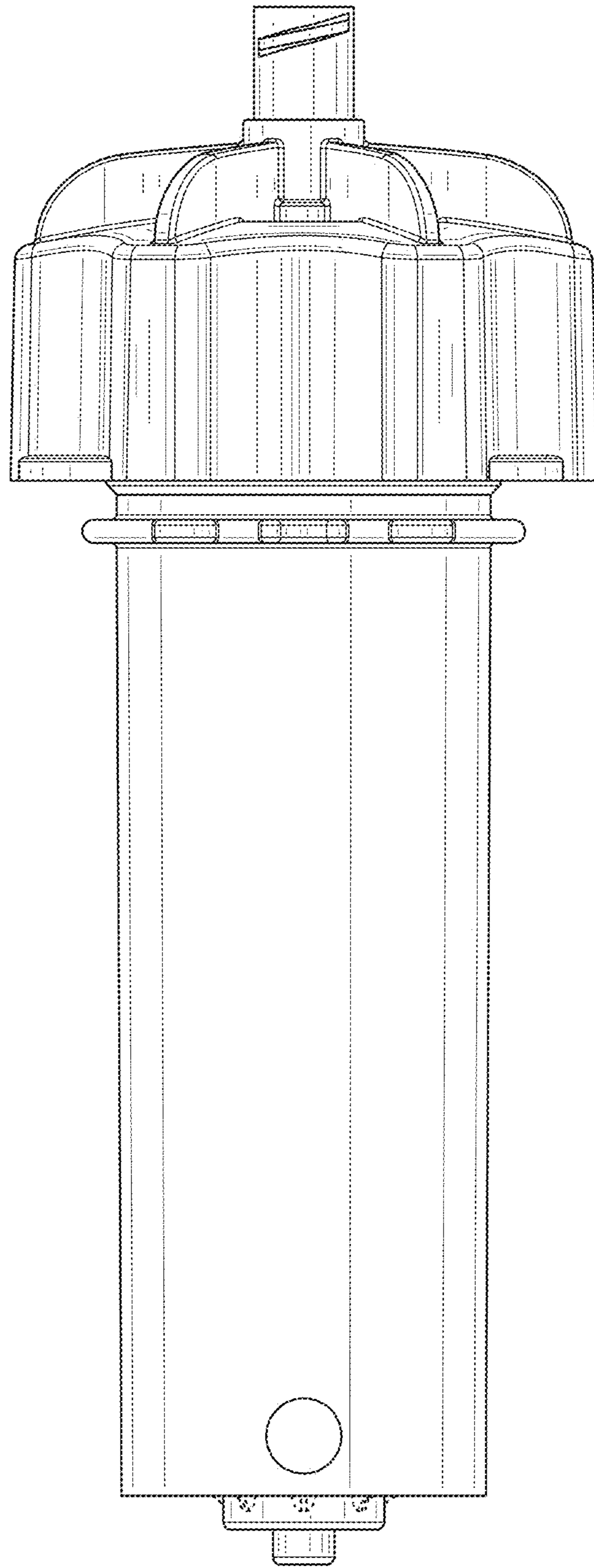


FIG. 2

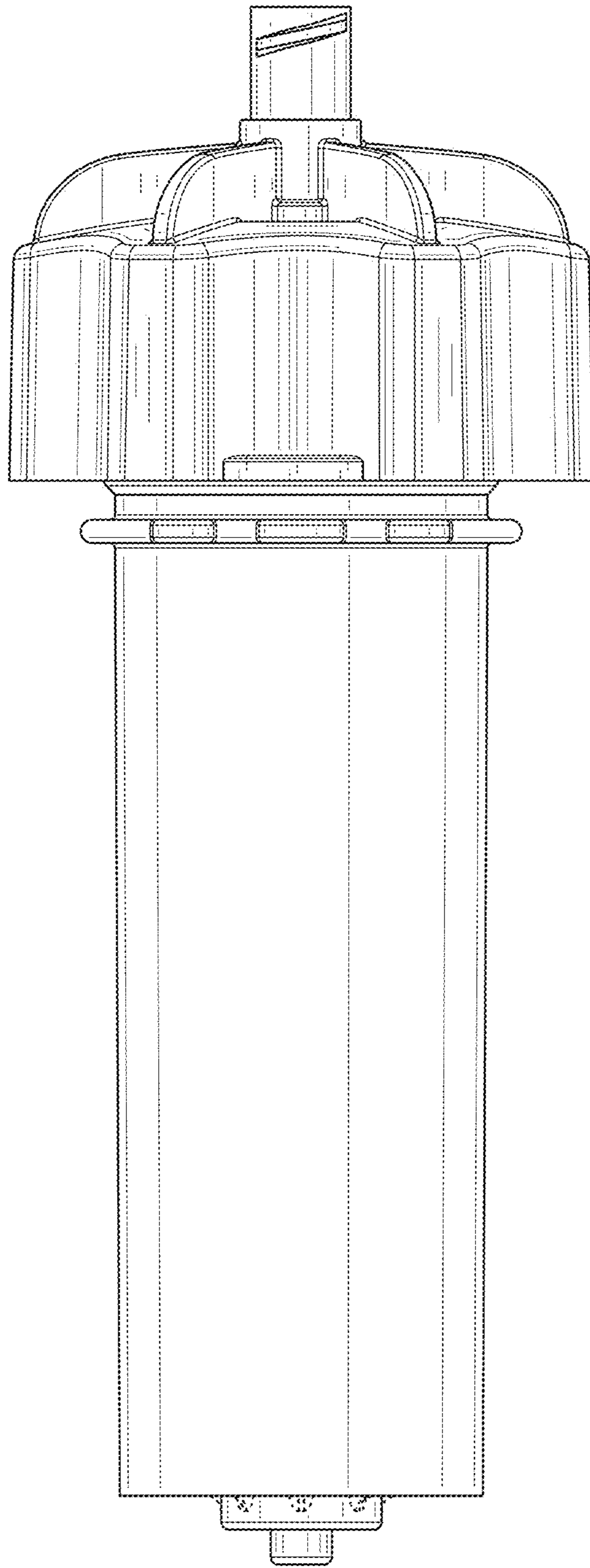


FIG. 3

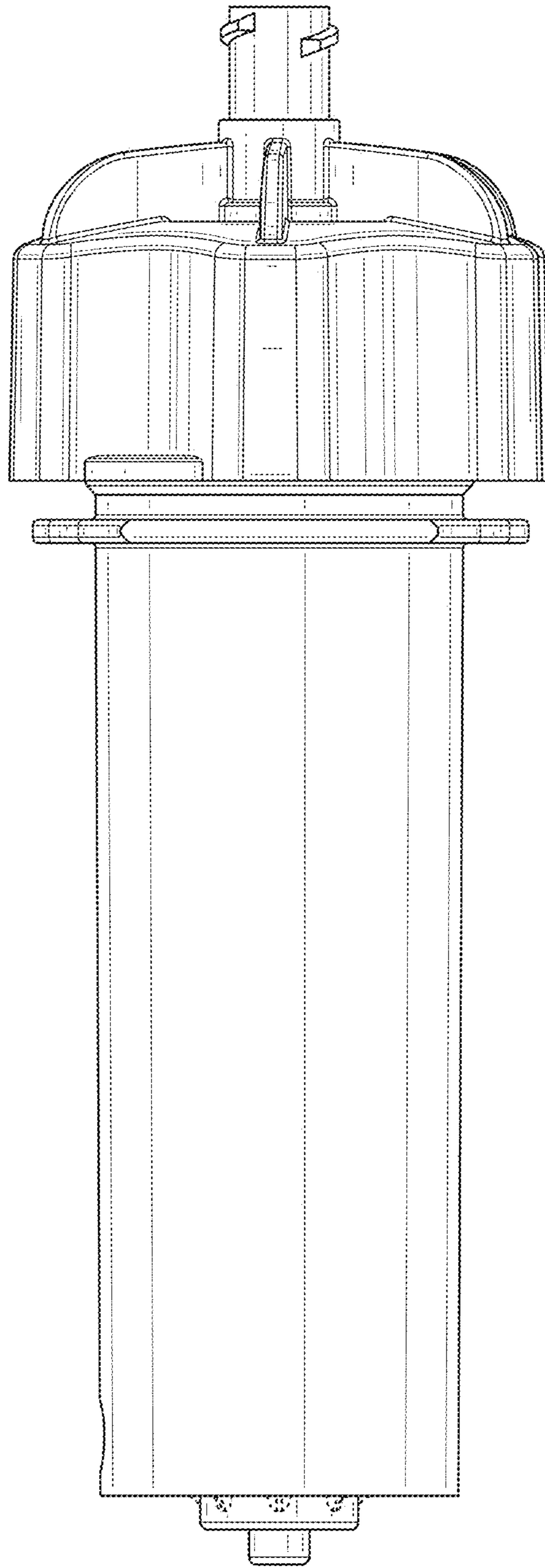


FIG. 4

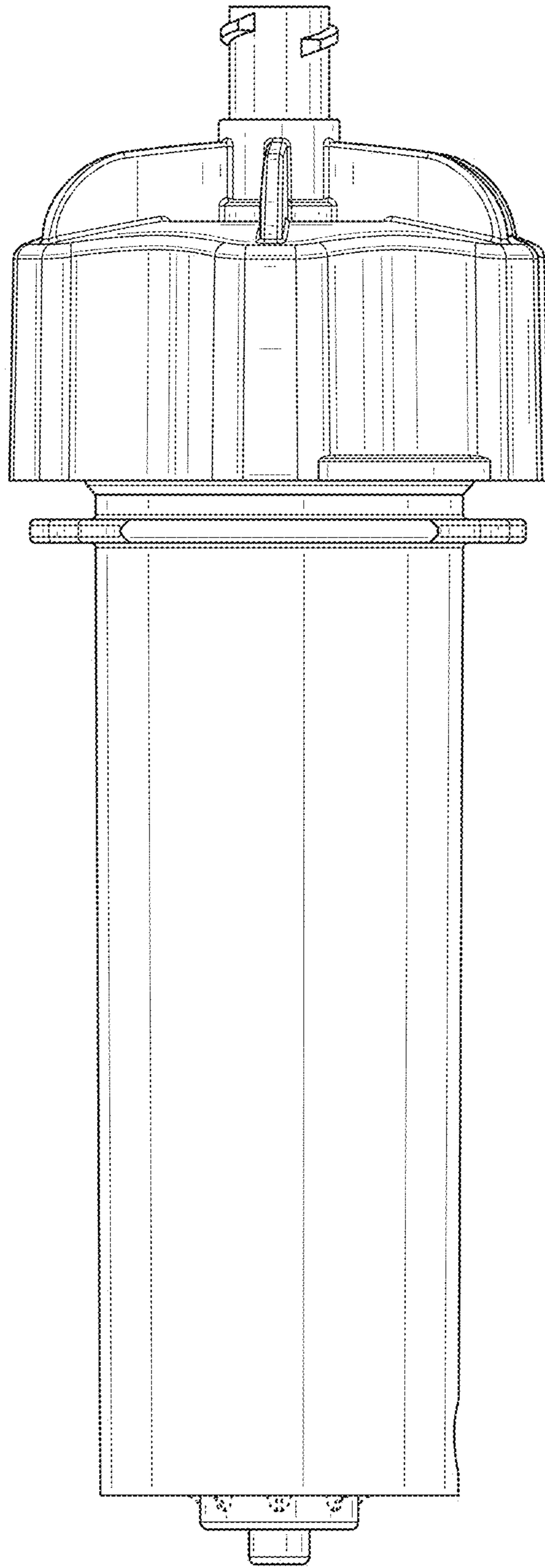


FIG. 5

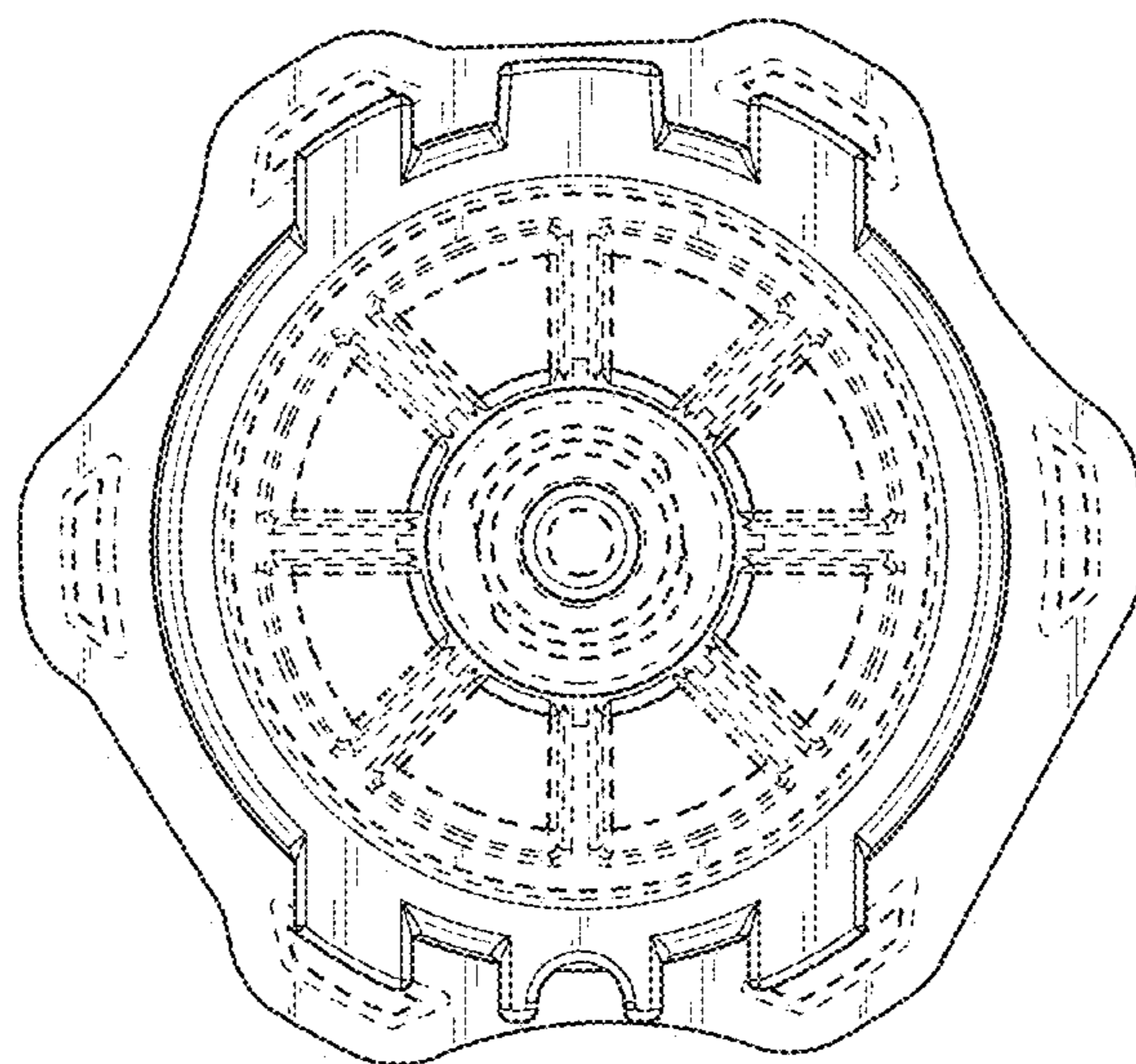


FIG. 6

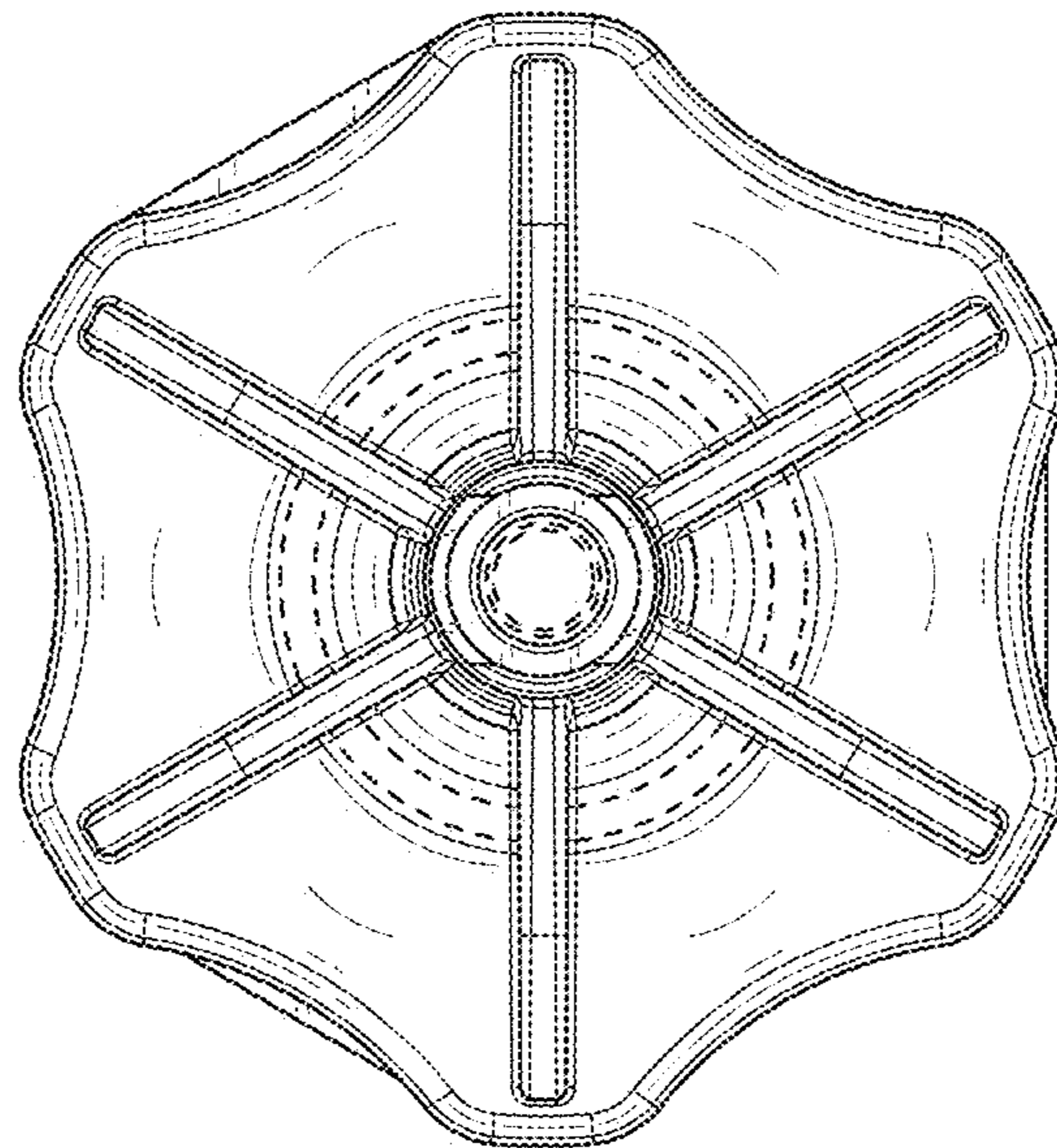


FIG. 7