



US00D896979S

(12) **United States Design Patent** (10) **Patent No.:** **US D896,979 S**  
**Schumaier** (45) **Date of Patent:** **\*\* Sep. 22, 2020**

(54) **COMBINED DRYER AND SANITIZER FOR RECHARGEABLE ELECTRONIC DEVICES**

(71) Applicant: **Ear Technology Corporation**, Johnson City, TN (US)

(72) Inventor: **Daniel R. Schumaier**, Elizabethton, TN (US)

(73) Assignee: **Ear Technology Corporation**, Johnson City, TN (US)

(\*\*) Term: **15 Years**

(21) Appl. No.: **29/722,226**

(22) Filed: **Jan. 28, 2020**

**Related U.S. Application Data**

(63) Continuation-in-part of application No. 16/742,156, filed on Jan. 14, 2020.

(51) **LOC (12) Cl.** ..... **24-01**

(52) **U.S. Cl.**  
USPC ..... **D24/217**

(58) **Field of Classification Search**  
USPC ..... D24/216, 217, 218, 219, 231, 232;  
D3/203.1, 294; D32/1, 25  
CPC ..... A61L 2/26; A61L 2/24; A61L 2/17; A61L 2/18; A61L 2/025; A61L 2202/122; A61L 2202/10; A61L 2202/11; A61L 2202/14; A61L 2202/23; A61L 2202/24; A61L 2202/182

See application file for complete search history.

(56) **References Cited**

**U.S. PATENT DOCUMENTS**

5,365,630 A \* 11/1994 Beckrich ..... B08B 1/00  
15/104.92

D414,304 S 9/1999 Schumaier  
D467,394 S 12/2002 Schumaier

D487,192 S \* 3/2004 Farnham ..... D3/294  
D536,491 S 2/2007 Schumaier  
D786,515 S 5/2017 Pindzola et al.  
D786,516 S 5/2017 Pindzola et al.  
D809,152 S \* 1/2018 Chan ..... D24/217  
D855,320 S \* 8/2019 Olschan ..... D3/294  
D882,262 S \* 4/2020 Zhang ..... D3/294

(Continued)

*Primary Examiner* — Anhdao Doan

(74) *Attorney, Agent, or Firm* — Luedeka Neely Group, P.C.

(57) **CLAIM**

The ornamental design for a combined dryer and sanitizer for rechargeable electronic devices, as shown and described.

**DESCRIPTION**

FIG. 1 is a top perspective view of a combined dryer and sanitizer for rechargeable electronic devices showing my new design;

FIG. 2 is a front view thereof;

FIG. 3 is a rear view thereof;

FIG. 4 is a left side view thereof;

FIG. 5 is a right side view thereof;

FIG. 6 is a top view thereof;

FIG. 7 is a bottom view thereof;

FIG. 8 is a top perspective view of the combined dryer and sanitizer for rechargeable electronic devices of FIG. 1, with an open lid.

FIG. 9 is a front view thereof;

FIG. 10 is a rear view thereof;

FIG. 11 is a left side view thereof;

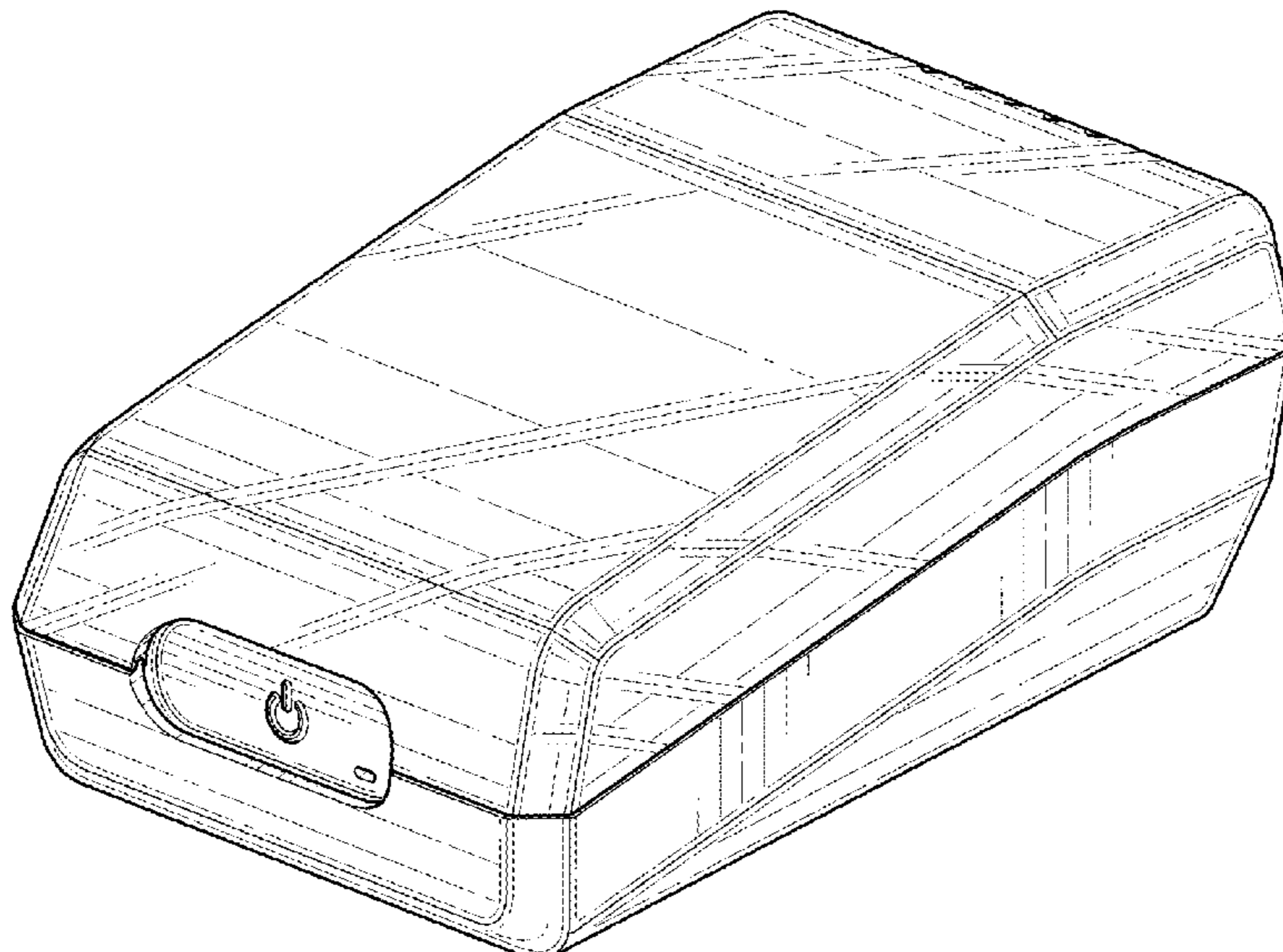
FIG. 12 is a right side view thereof;

FIG. 13 is a top view thereof; and,

FIG. 14 is a bottom view thereof.

The broken lines depict portions of the combined dryer and sanitizer for rechargeable electronic devices that form no part of the claimed design; the broken lines form no part of the claimed design.

**1 Claim, 12 Drawing Sheets**



(56)

**References Cited**

U.S. PATENT DOCUMENTS

D888,268 S \* 6/2020 Oh ..... D24/217  
2017/0023299 A1 1/2017 Leung et al.

\* cited by examiner

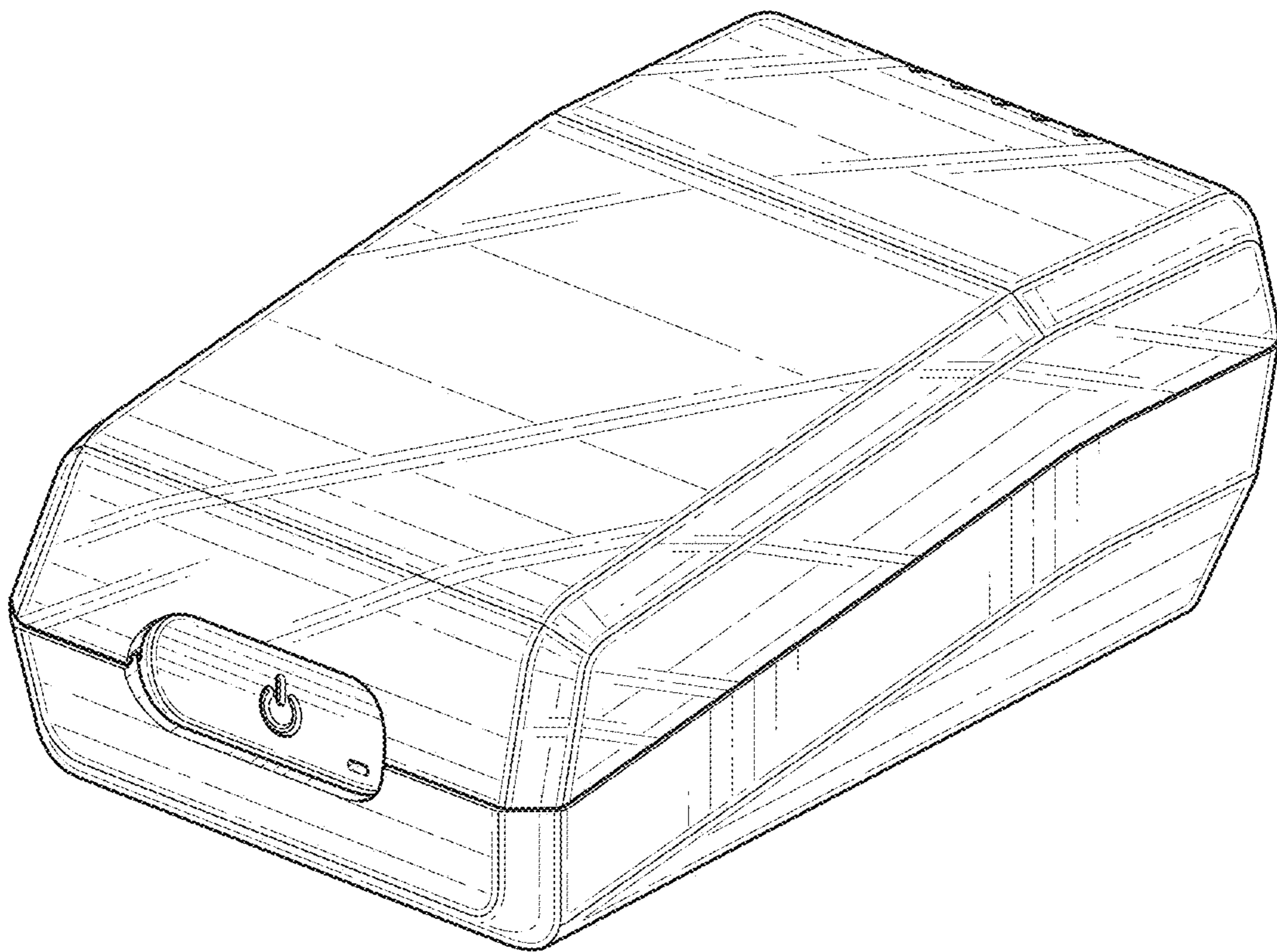


FIG. 1

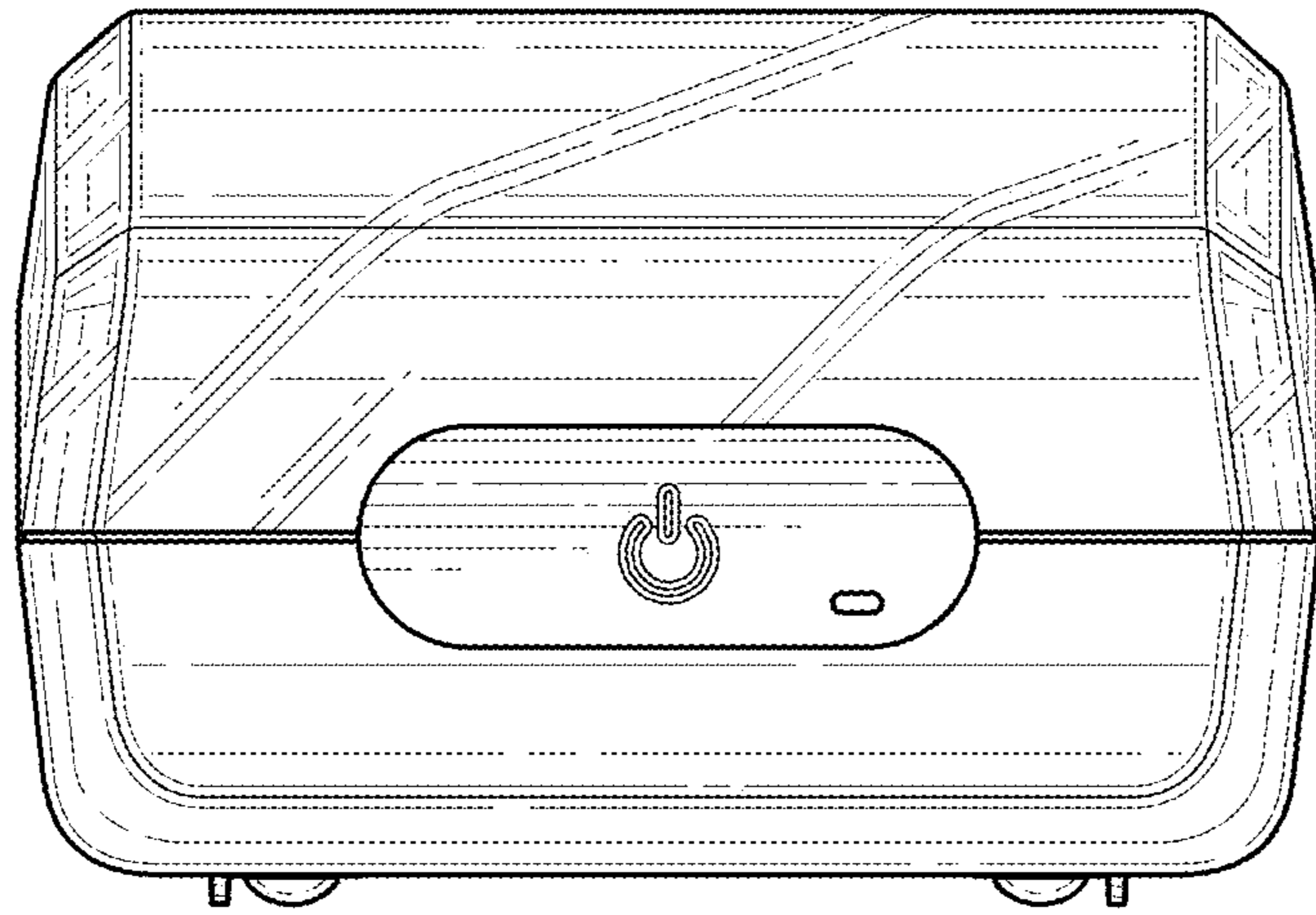


FIG. 2

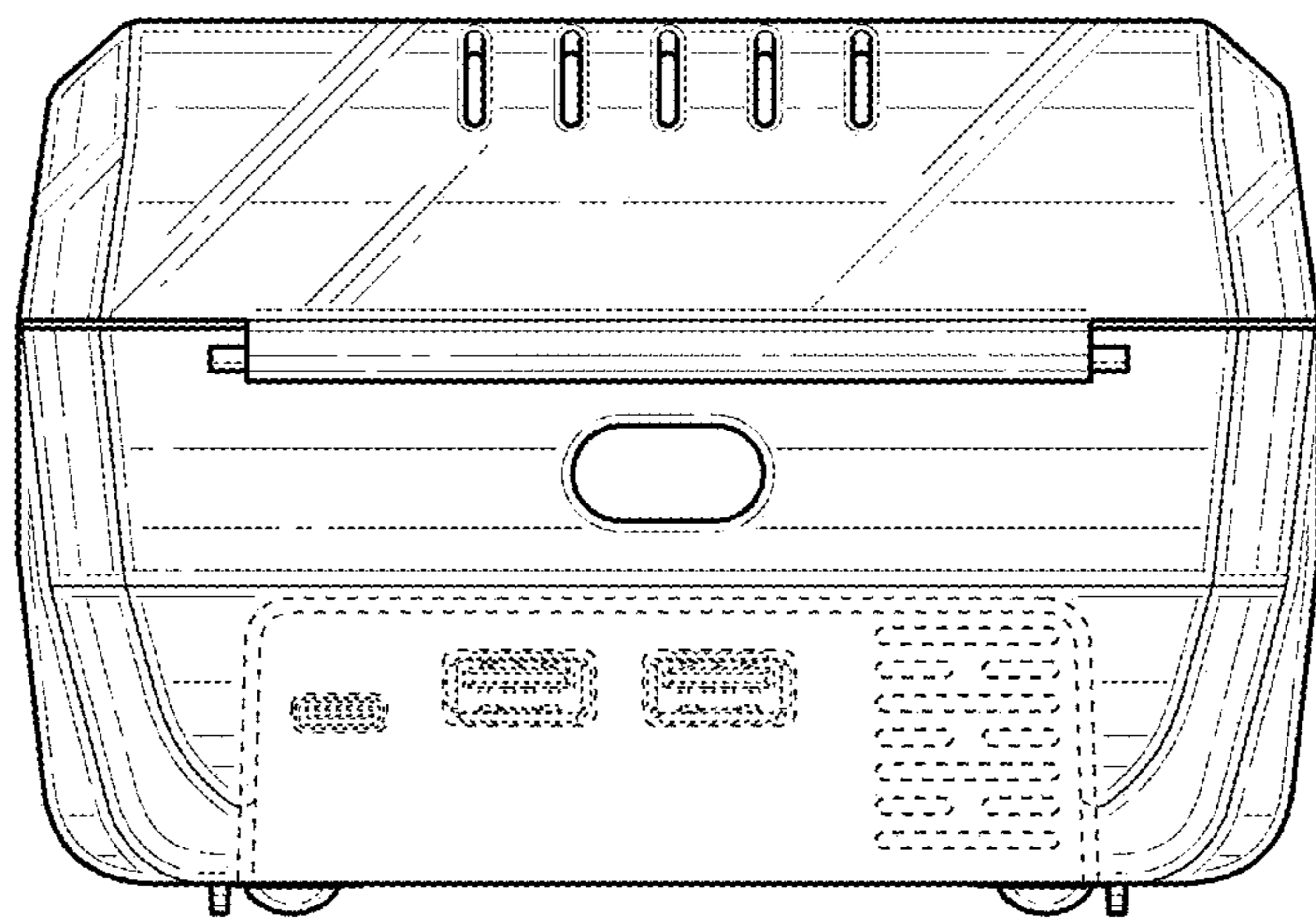


FIG. 3

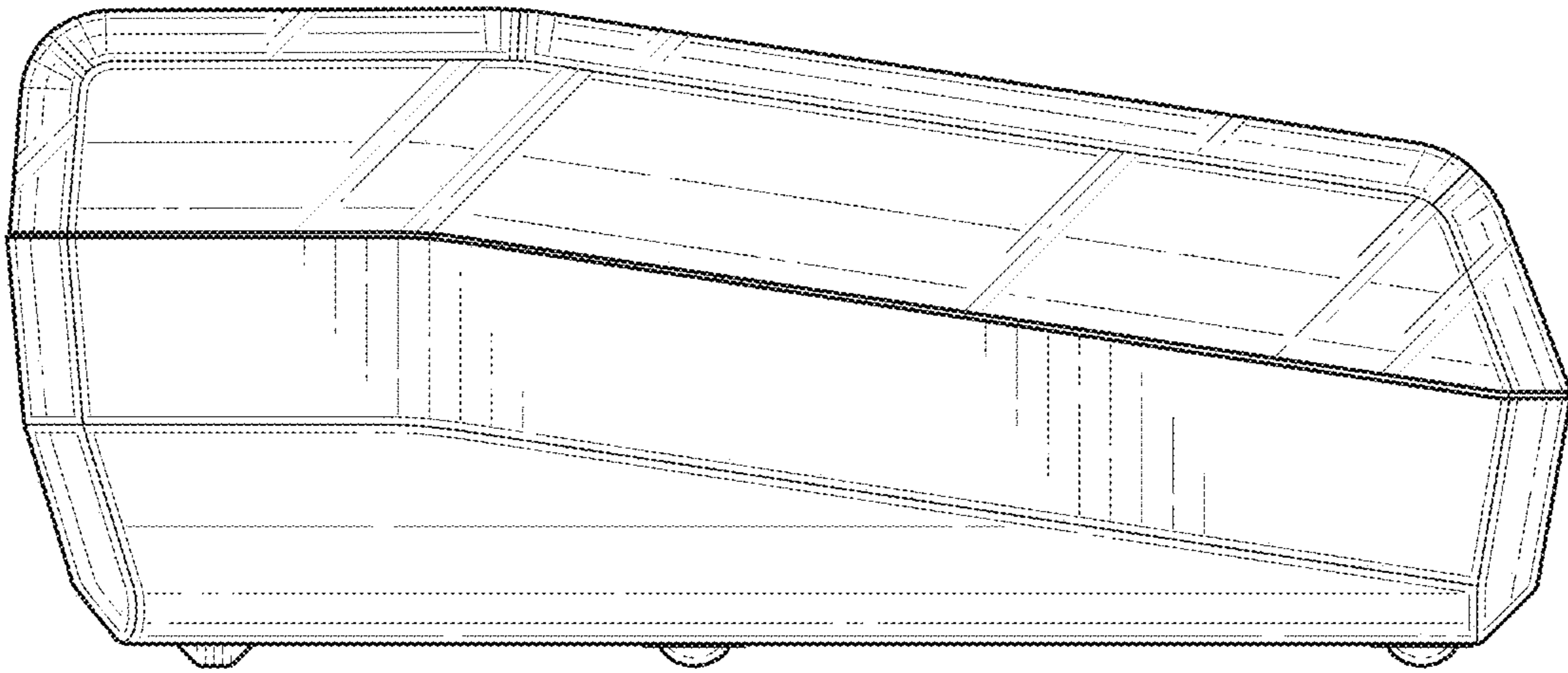


FIG. 4

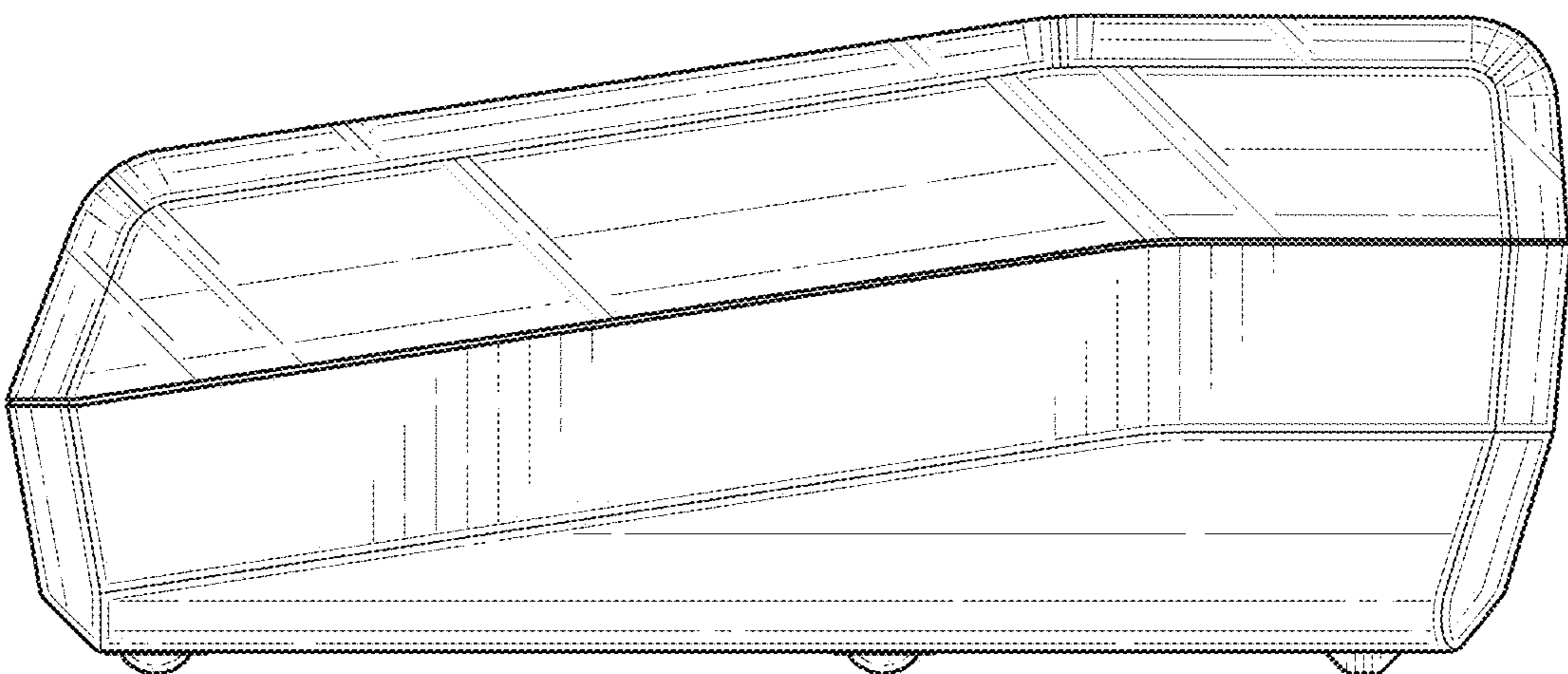


FIG. 5

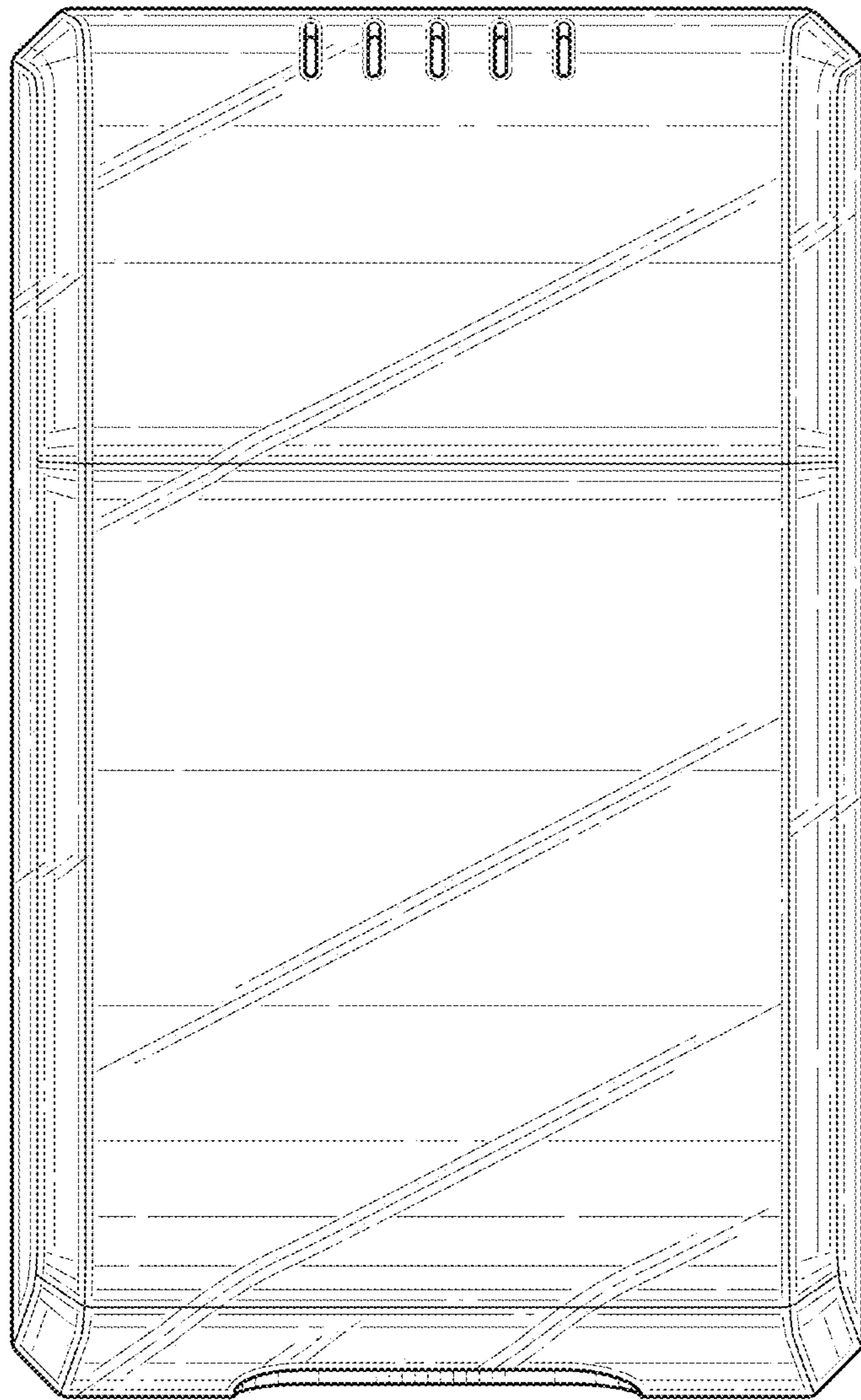


FIG. 6

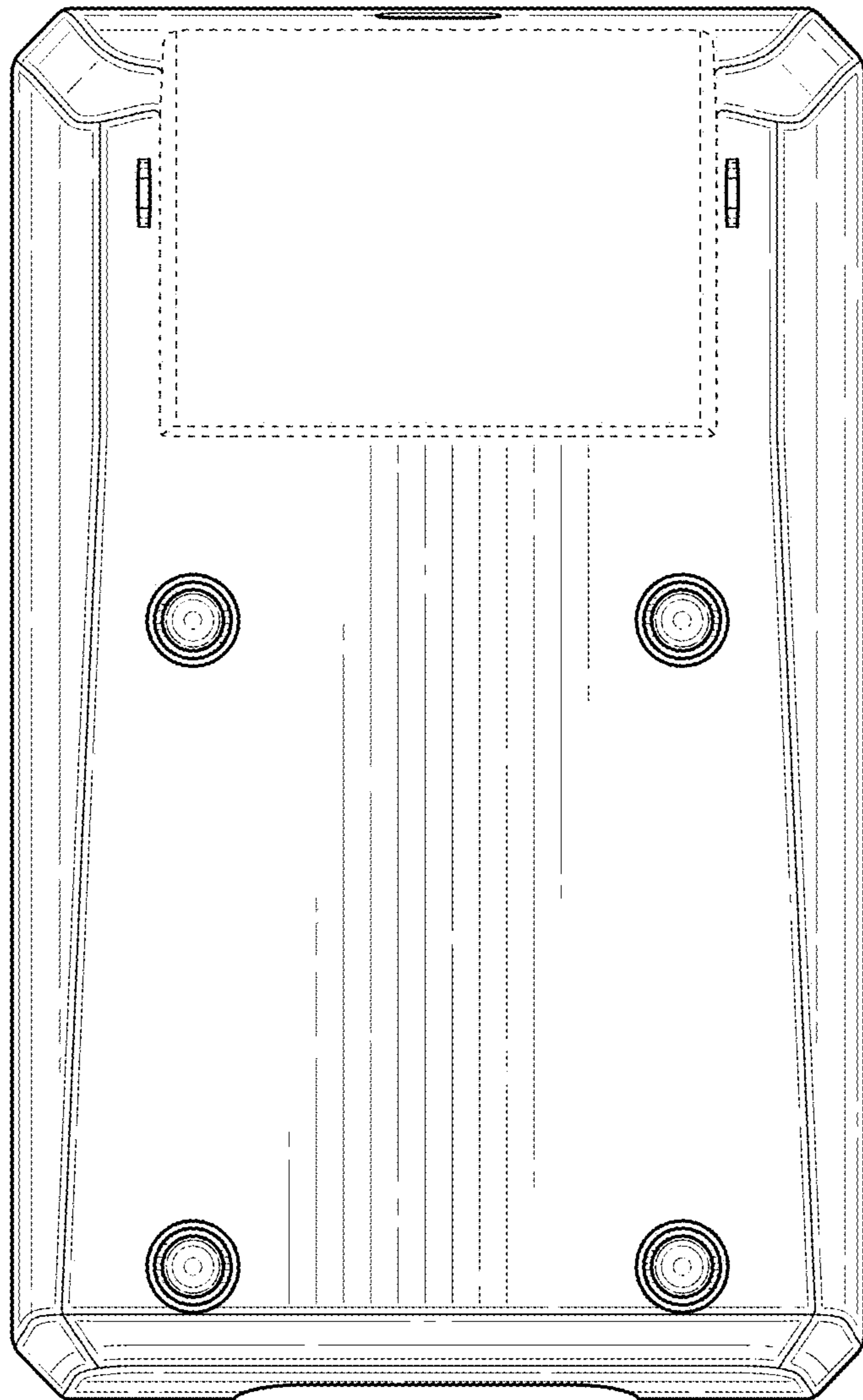


FIG. 7

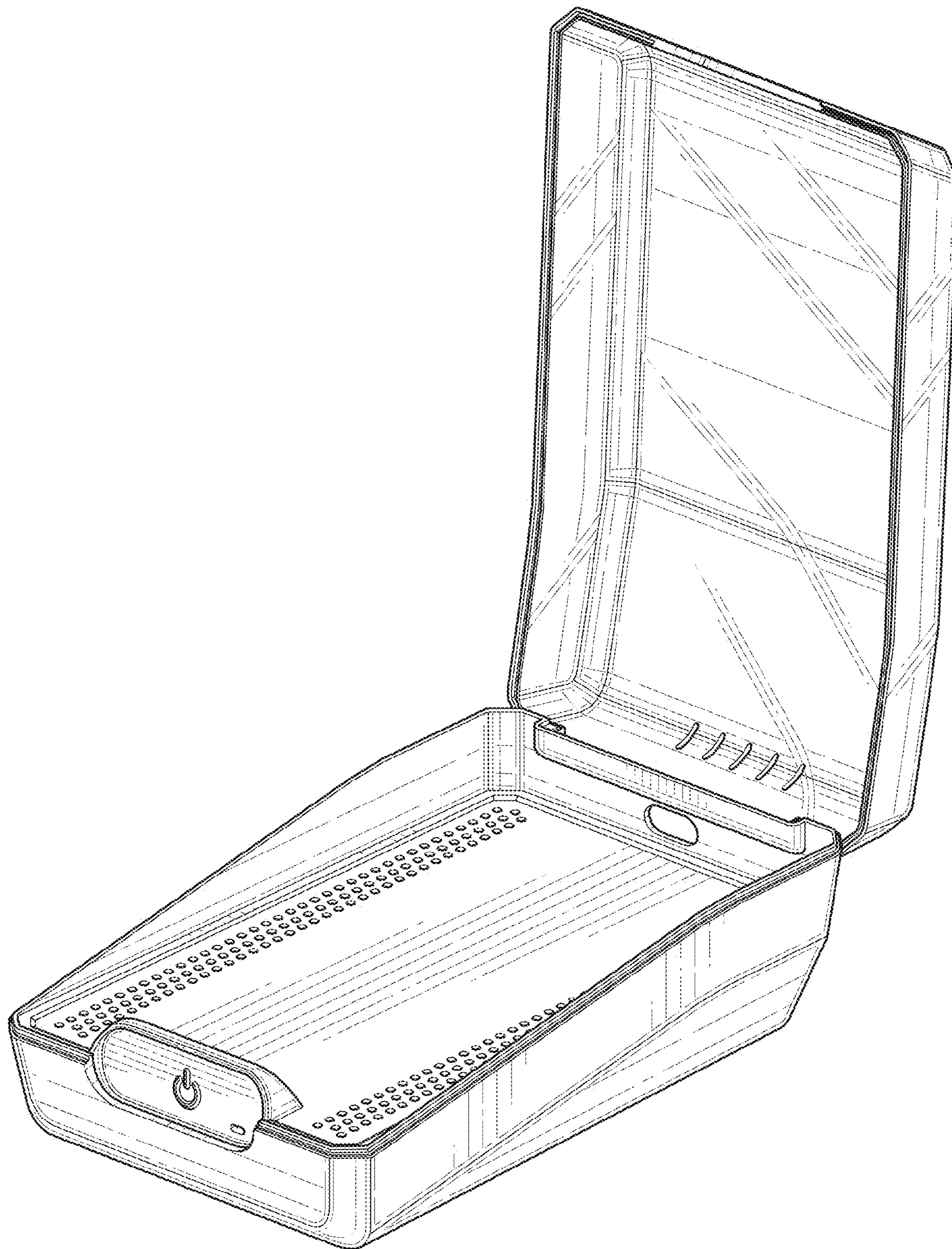


FIG. 8



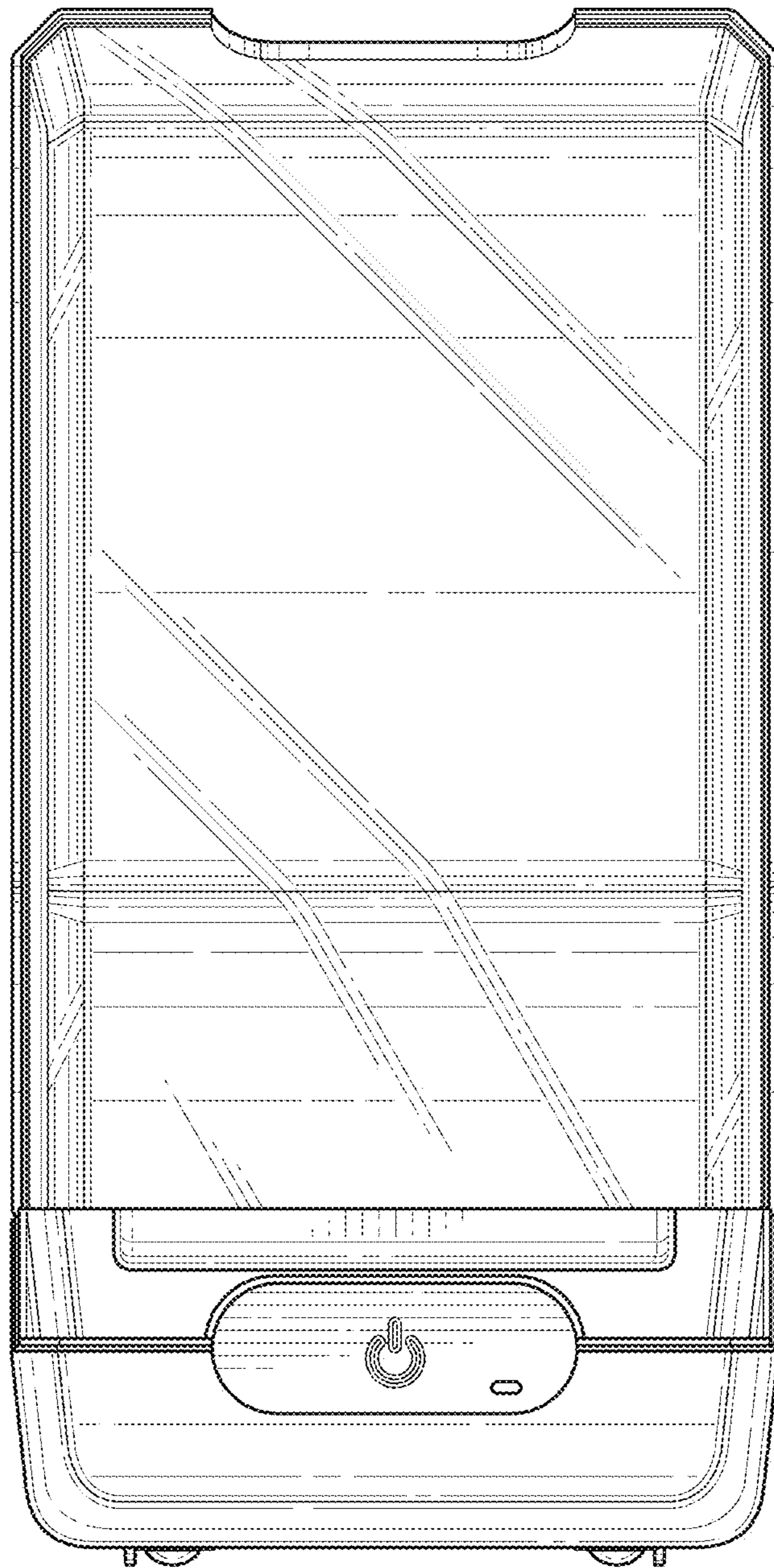


FIG. 9

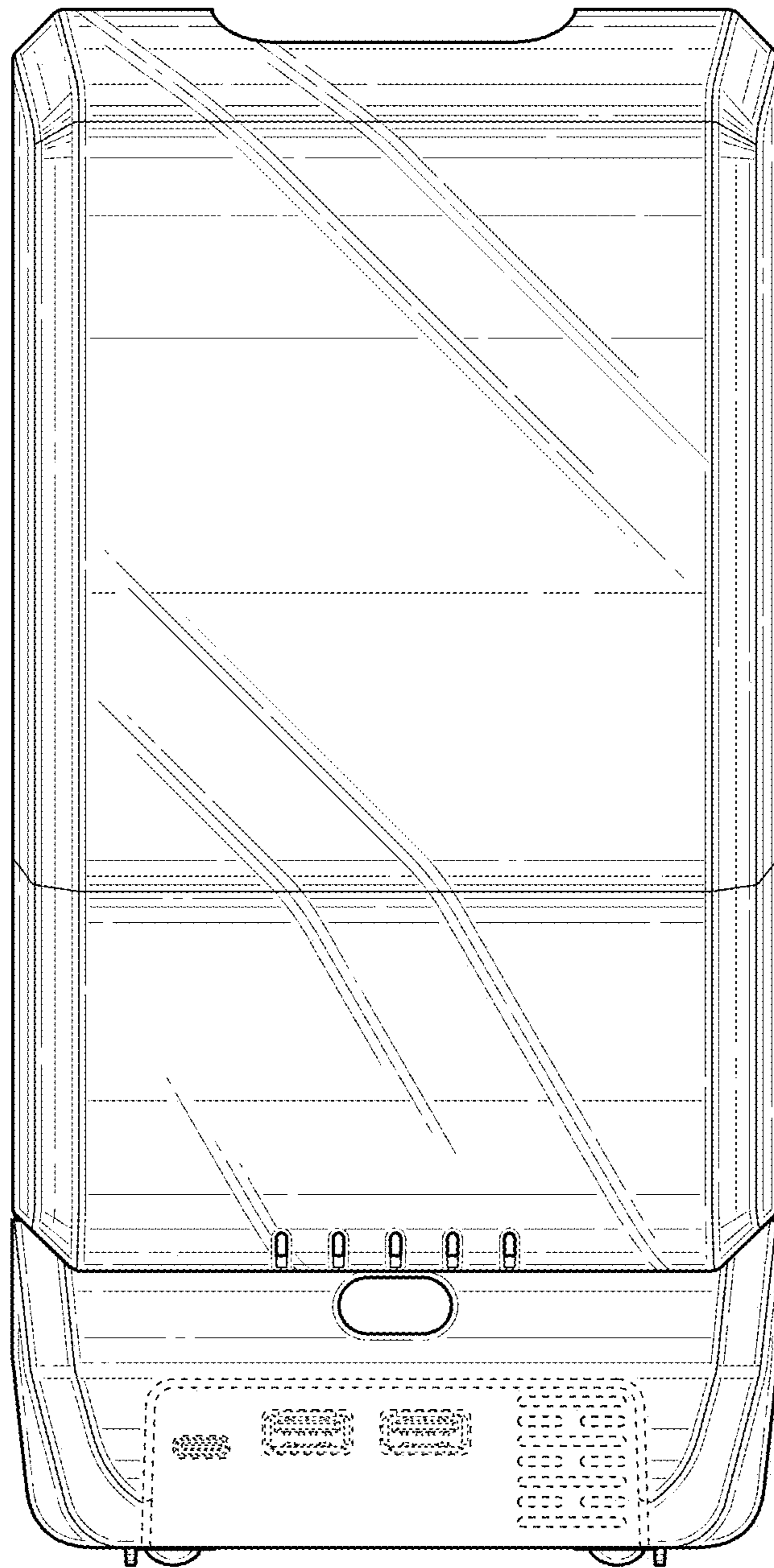


FIG. 10

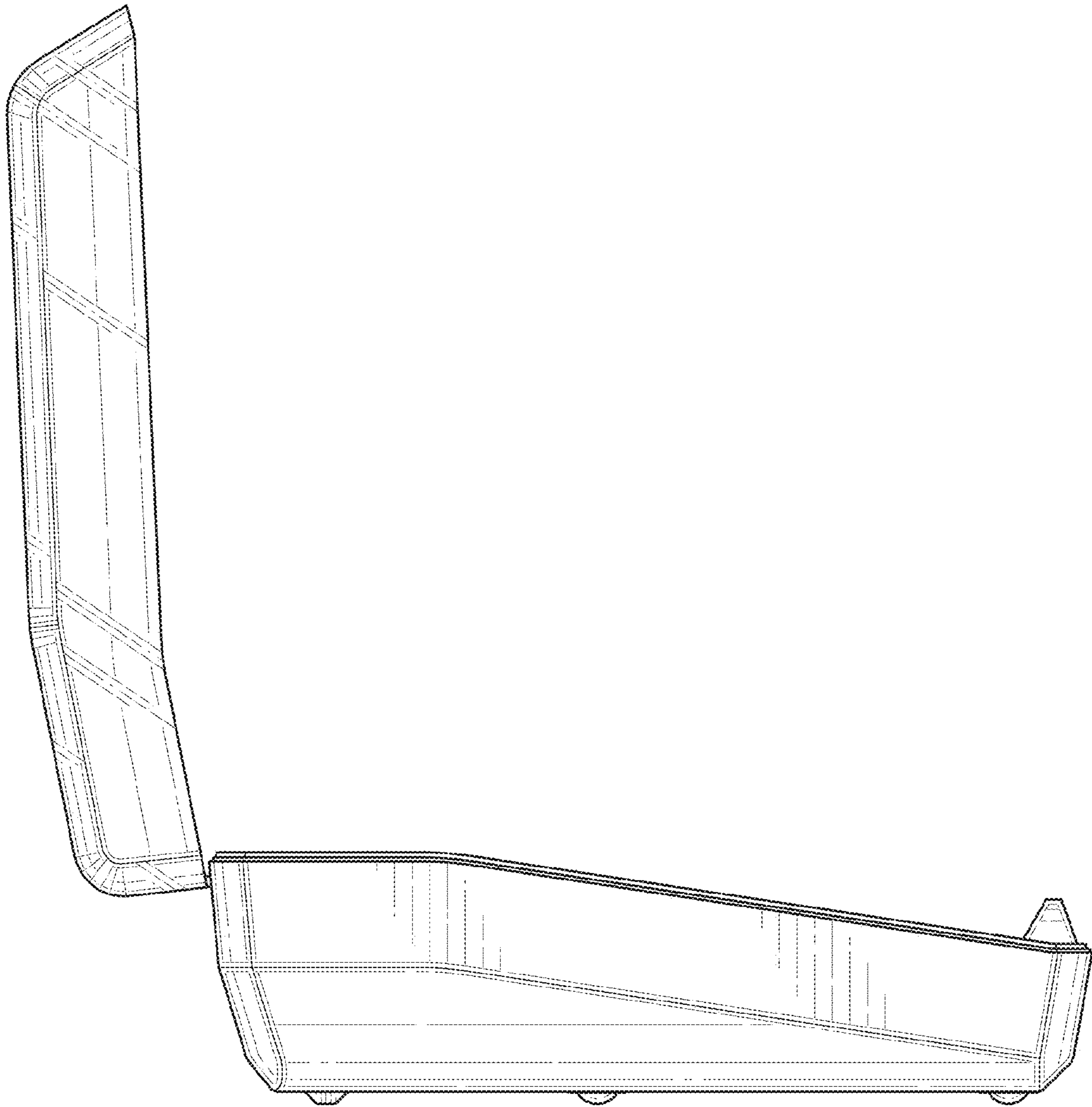


FIG. 11

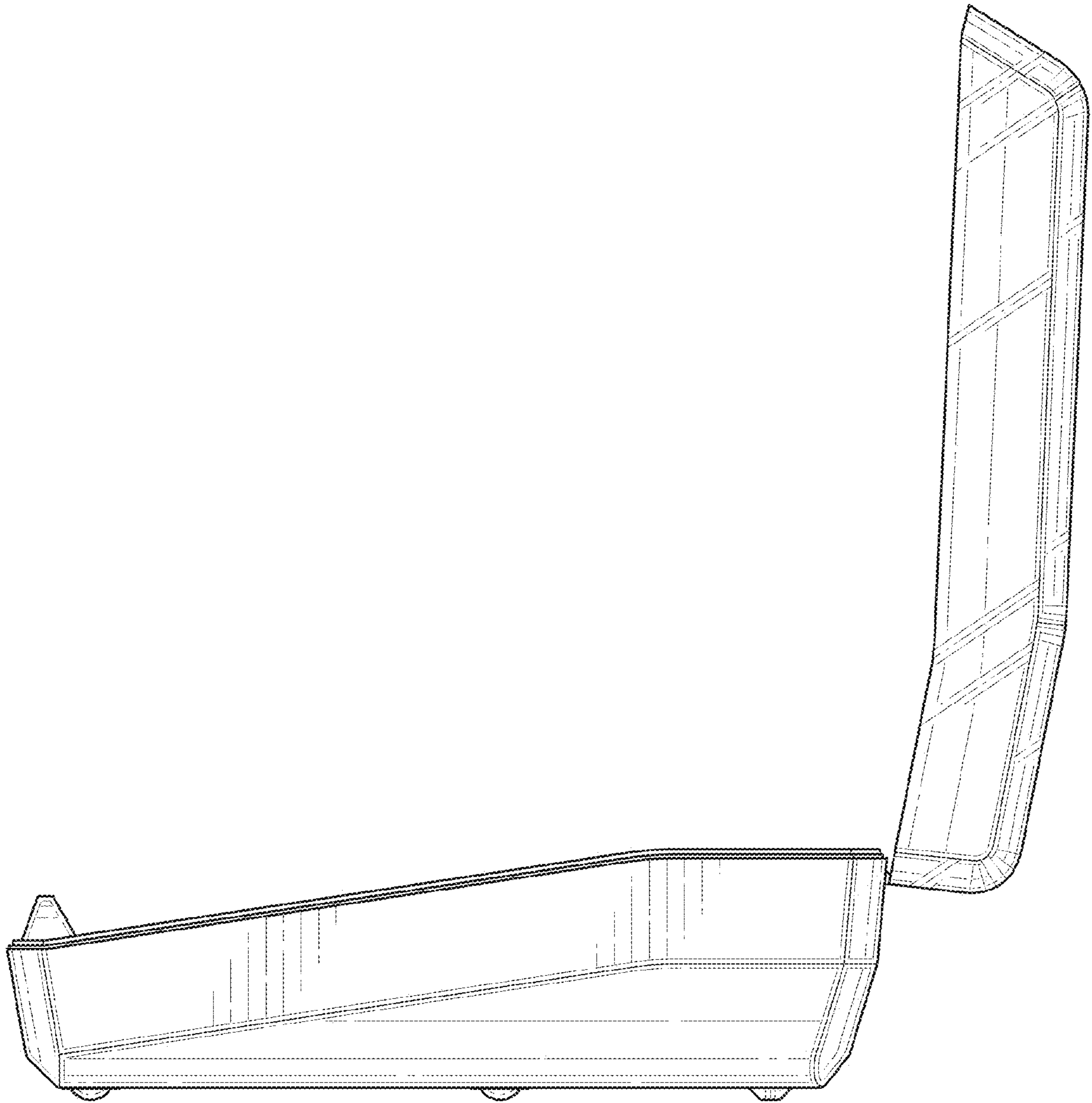


FIG. 12

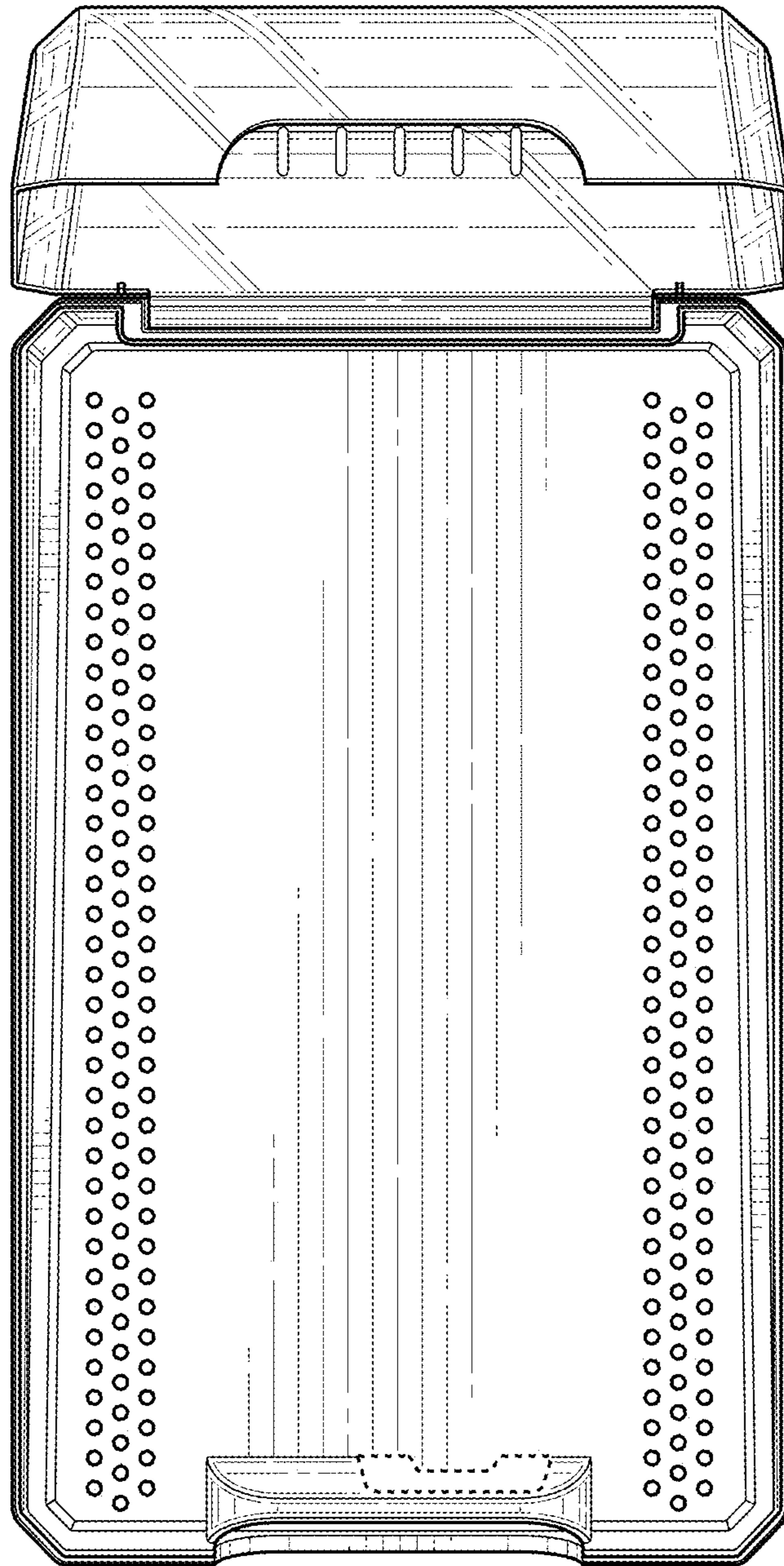


FIG. 13

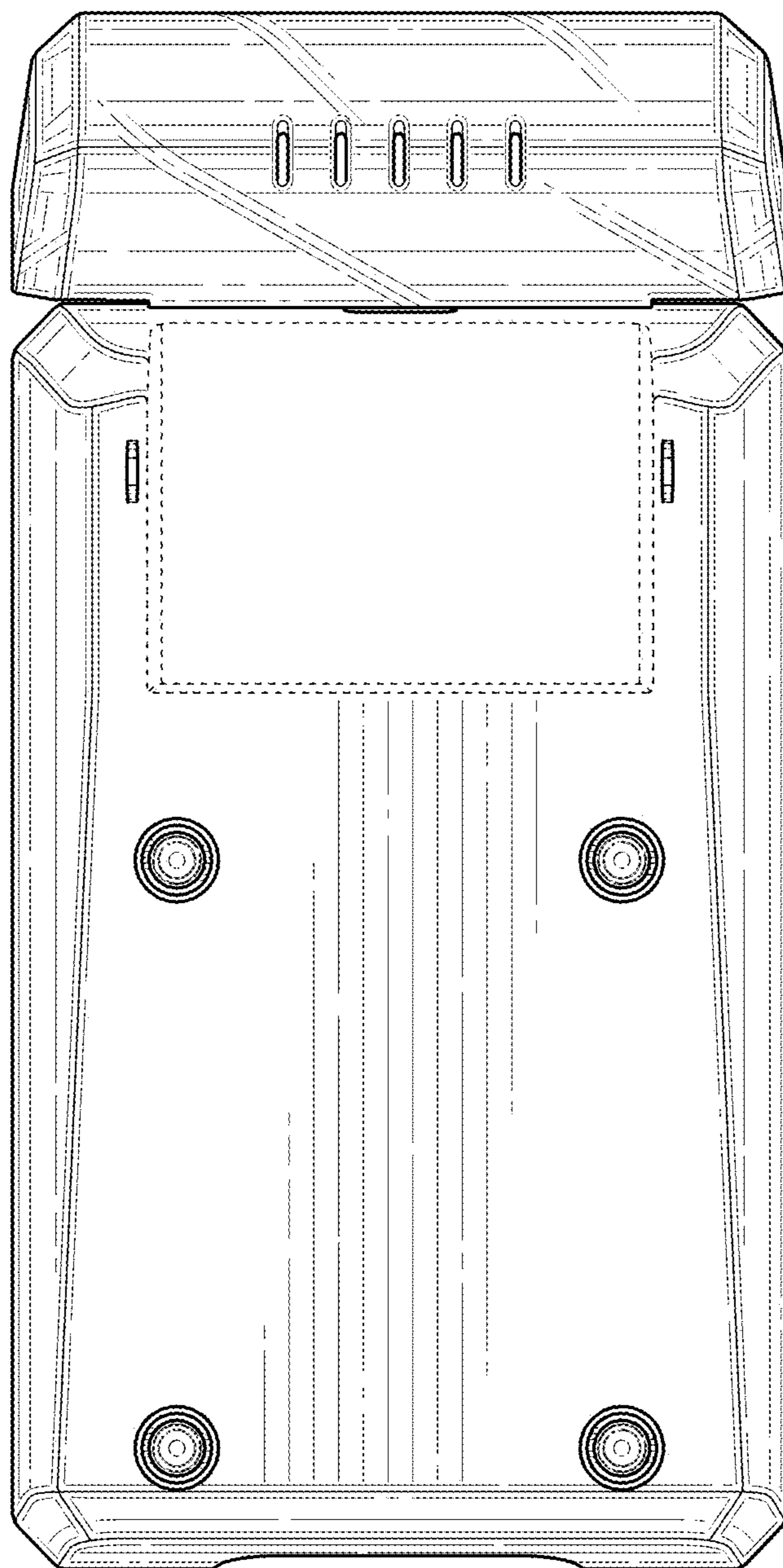


FIG. 14