



US00D896977S

(12) **United States Design Patent** (10) **Patent No.:** **US D896,977 S**  
**Chen** (45) **Date of Patent:** **\*\* Sep. 22, 2020**

(54) **PHOTOTHERAPY HELMET**  
(71) Applicant: **Chung-Yang Chen**, New Taipei (TW)  
(72) Inventor: **Chung-Yang Chen**, New Taipei (TW)  
(\*\*) Term: **15 Years**  
(21) Appl. No.: **29/668,859**  
(22) Filed: **Nov. 2, 2018**  
(51) **LOC (12) Cl.** ..... **28-03**  
(52) **U.S. Cl.**  
USPC ..... **D24/209; D29/102**  
(58) **Field of Classification Search**  
USPC ..... D29/102-107, 122; D24/209, 107, 187,  
D24/200, 210, 214, 215, 231;  
D26/37-39; D28/9  
CPC .. A42B 3/00; A42B 3/003; A42B 3/04; A42B  
3/0406; A42B 3/044; A42B 3/0466; A42B  
3/0493; A42B 3/06; A42B 3/061; A42B  
3/064; A42B 3/145; A61N 5/06; A61N  
5/0616; A61N 5/0617; A61N 5/062;  
A61N 2005/0647; A61N 2005/0651;  
A61N 2005/0652; A61B 2018/00452;  
A61B 2018/1807  
See application file for complete search history.

(56) **References Cited**  
U.S. PATENT DOCUMENTS  
6,292,952 B1 \* 9/2001 Watters ..... A42B 3/324  
2/411  
D456,908 S \* 5/2002 Cunningham ..... D24/200  
7,147,338 B2 \* 12/2006 Gregg ..... A42B 3/044  
362/106  
D535,059 S \* 1/2007 Lam ..... D29/102  
D640,793 S \* 6/2011 Britt ..... D24/209  
D683,905 S \* 6/2013 Wills ..... D29/102  
D773,739 S \* 12/2016 Yoo ..... D29/102  
D777,339 S \* 1/2017 Chen ..... D24/209  
9,833,633 B2 \* 12/2017 Hamid ..... A61N 5/0617

D811,662 S \* 2/2018 McEneany ..... D29/102  
D812,308 S \* 3/2018 Hall ..... D29/102  
D833,025 S \* 11/2018 Lay ..... D24/209  
D846,198 S \* 4/2019 Chae ..... D29/102  
D849,959 S \* 5/2019 Lay ..... A61N 5/0616  
D24/209  
D860,545 S \* 9/2019 Gotti ..... D29/102  
D872,374 S \* 1/2020 Pietruck ..... D29/102  
2009/0049586 A1 \* 2/2009 Wirthenstaetter ..... A42B 3/16  
2/423  
2015/0005854 A1 \* 1/2015 Said ..... A61N 5/0617  
607/91

(Continued)

**OTHER PUBLICATIONS**

Do LLLT Laser Hair Restoration Helmets Work (on-line) dated Oct. 11, 2019. Retrieved from Internet Apr. 29, 2020, URL: <https://www.youtube.com/watch?v=MsMTcU1QIjQ> (1 page) (Year: 2019).\*

(Continued)

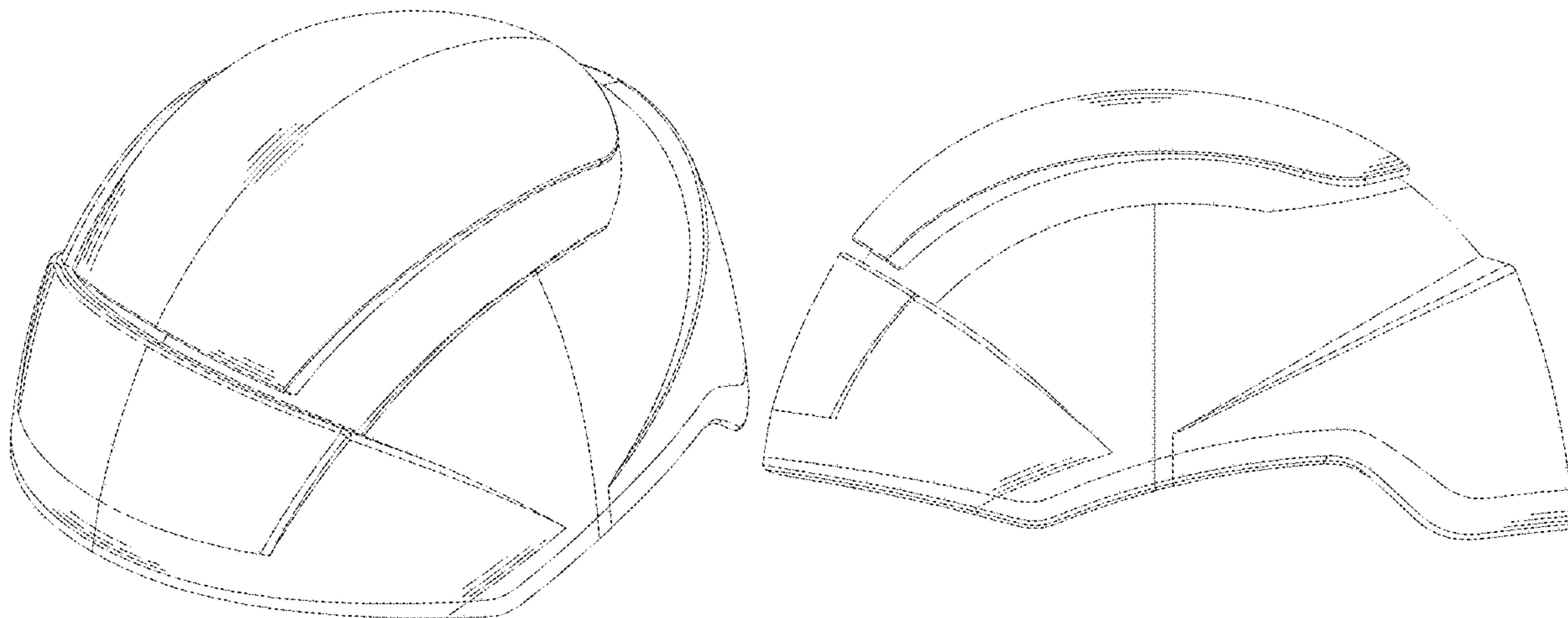
*Primary Examiner* — Kevin K Rudzinski  
*Assistant Examiner* — Kimberly Barnes  
(74) *Attorney, Agent, or Firm* — Muncy, Geissler, Olds & Lowe, P.C.

(57) **CLAIM**  
The ornamental design for a phototherapy helmet, as shown and described.

**DESCRIPTION**

FIG. 1 is a perspective view of a phototherapy helmet showing my new design;  
FIG. 2 is a front elevational view thereof;  
FIG. 3 is a rear elevational view thereof;  
FIG. 4 is a left side elevational view thereof;  
FIG. 5 is a right side elevational view thereof;  
FIG. 6 is a top plan view thereof;  
FIG. 7 is a bottom plan view thereof; and,  
FIG. 8 is another perspective view thereof.

**1 Claim, 8 Drawing Sheets**



(56)

**References Cited**

U.S. PATENT DOCUMENTS

2015/0297914 A1\* 10/2015 Hamid ..... A61N 5/0617  
607/89  
2018/0015300 A1\* 1/2018 Hamid ..... A61B 5/486  
2019/0269935 A1\* 9/2019 Kurata ..... A61N 5/0617

OTHER PUBLICATIONS

Theradome LH80 (on-line), no date available. Retrieved from Internet May 1, 2020, URL: [https://pinklotus.com/elements/theradome-lh80-pro-laser-hair-growth-treatment-helmet/?attribute\\_pa\\_color=blue&utm\\_source=Connexity&utm\\_campaign=Connexity&utm\\_medium=cpc&utm\\_term=9359](https://pinklotus.com/elements/theradome-lh80-pro-laser-hair-growth-treatment-helmet/?attribute_pa_color=blue&utm_source=Connexity&utm_campaign=Connexity&utm_medium=cpc&utm_term=9359) (2 pgs).\*

Hair Regrow LED Infrared Light Helmet (on-line), no date available. Retrieved from Internet May 1, 2020, URL: <https://www.aliexpress.com/item/4000140400138.html?src=google> (4 pages).\*

\* cited by examiner

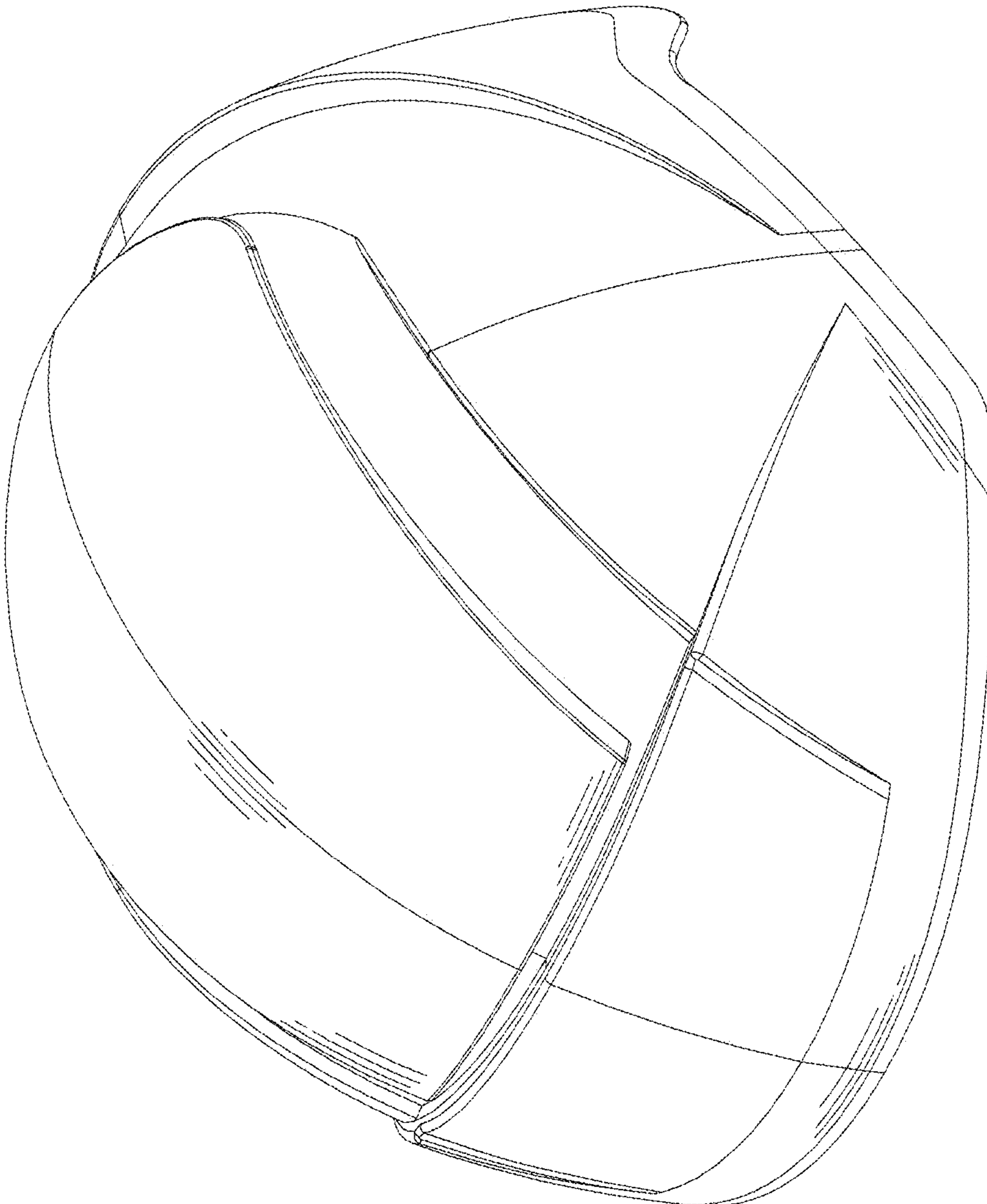


FIG.1

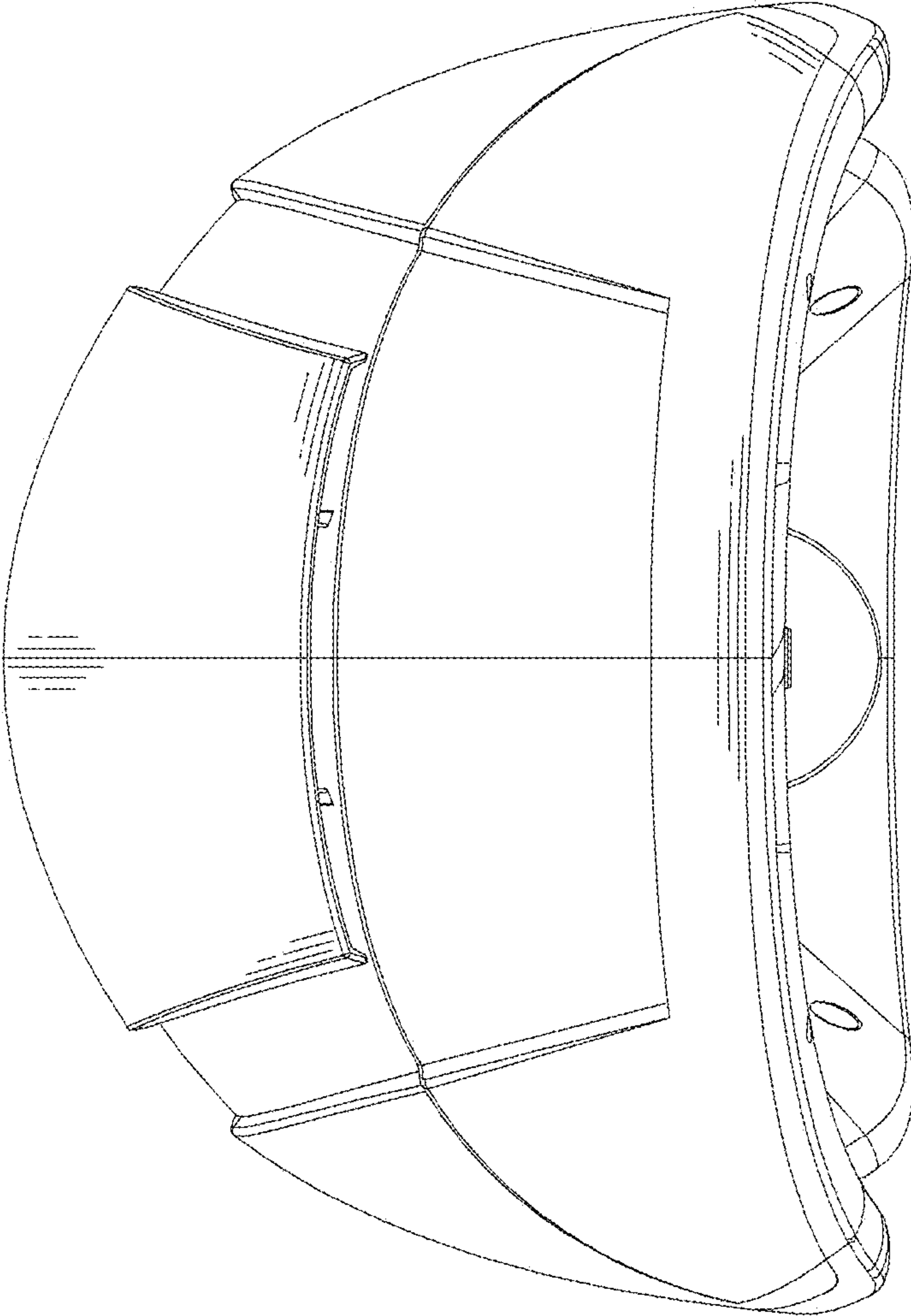


FIG.2

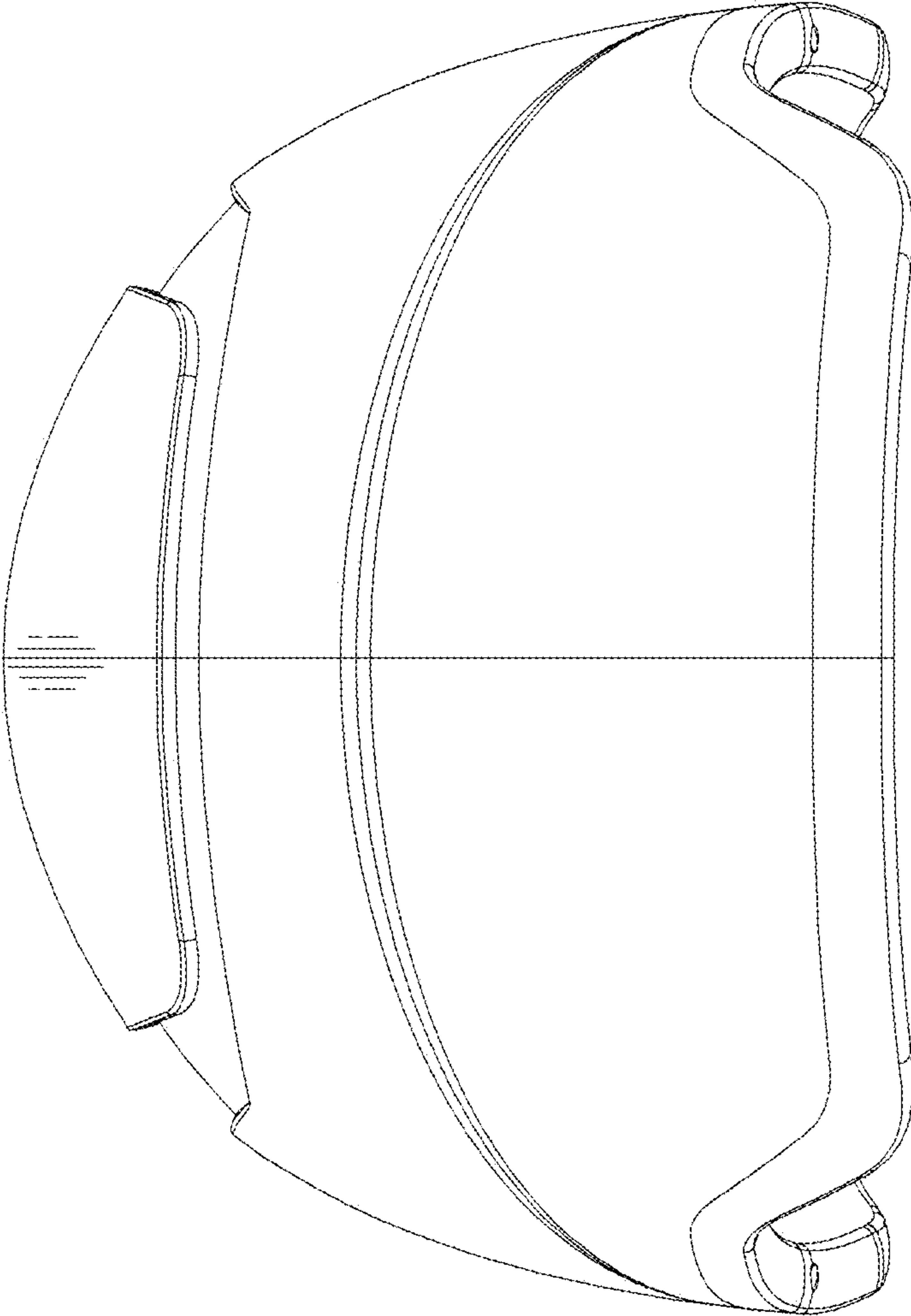


FIG.3



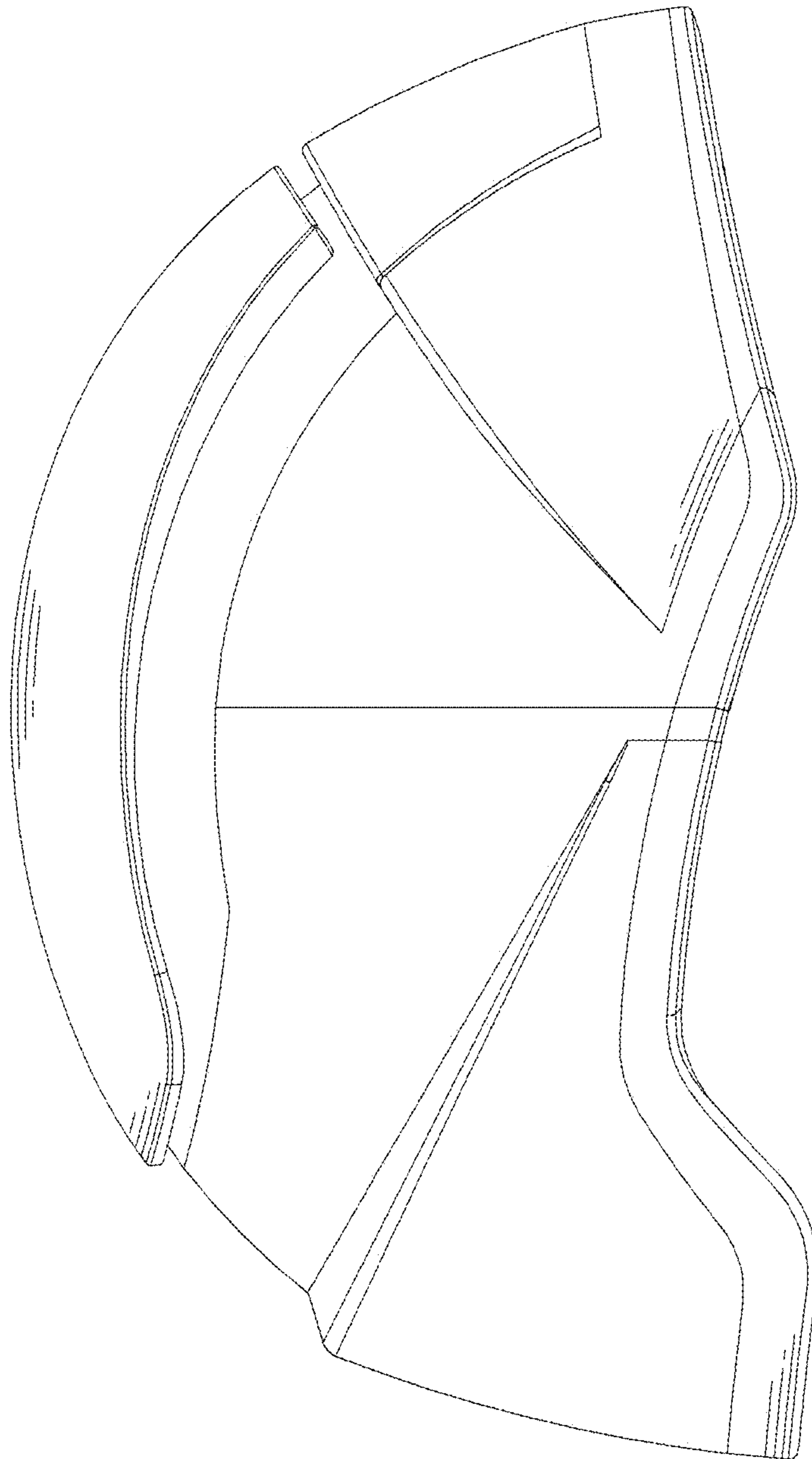


FIG.4

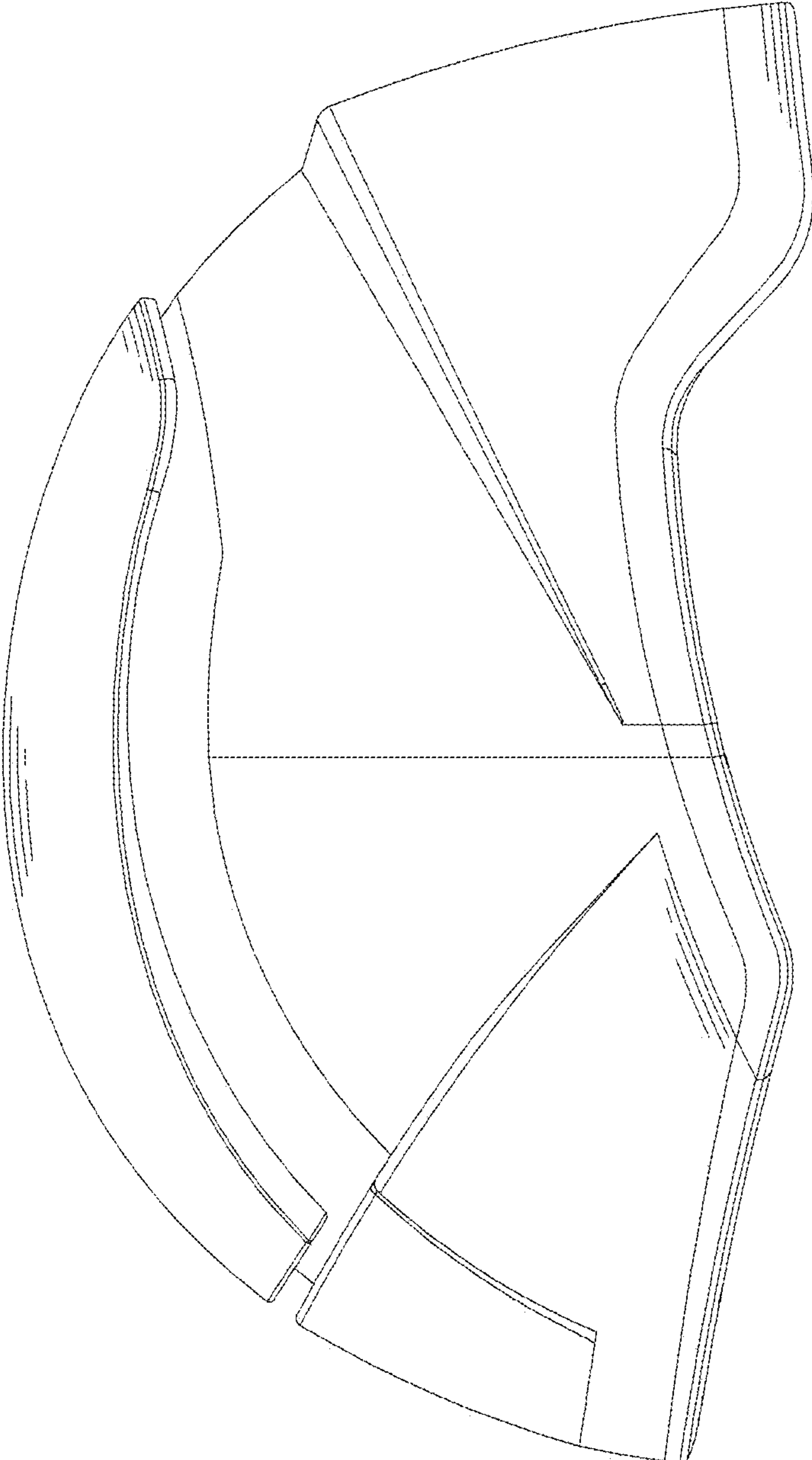


FIG.5

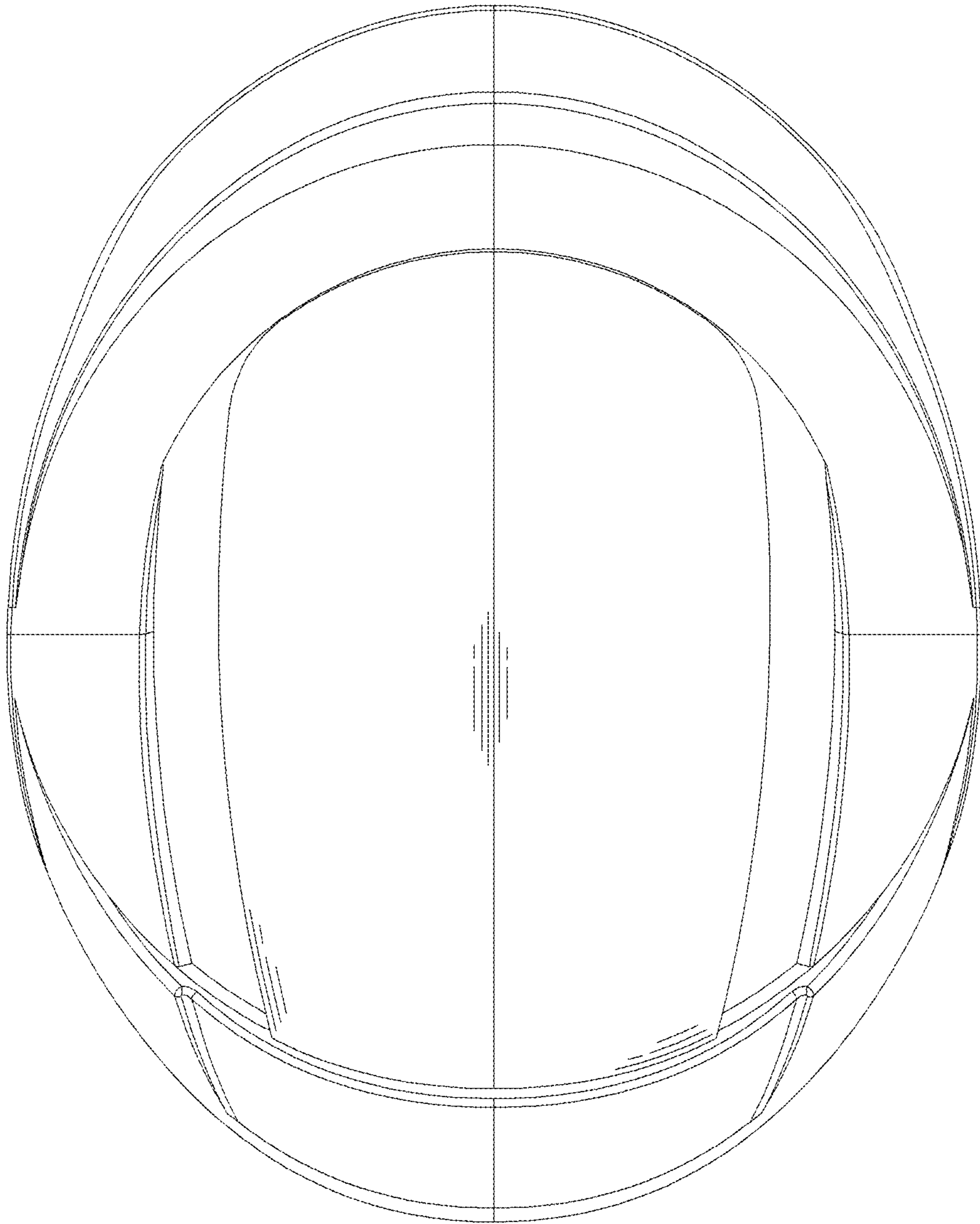


FIG.6



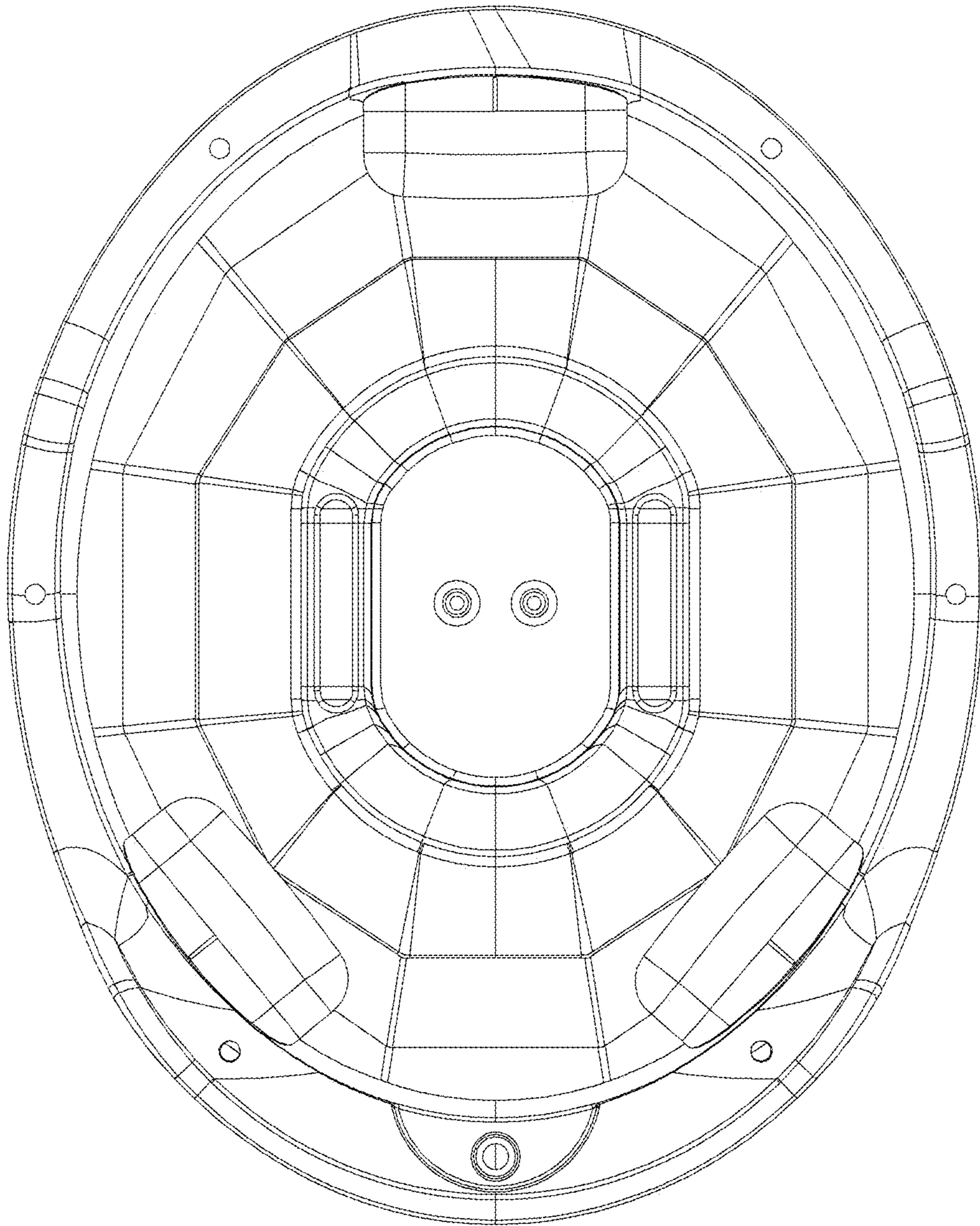


FIG.7

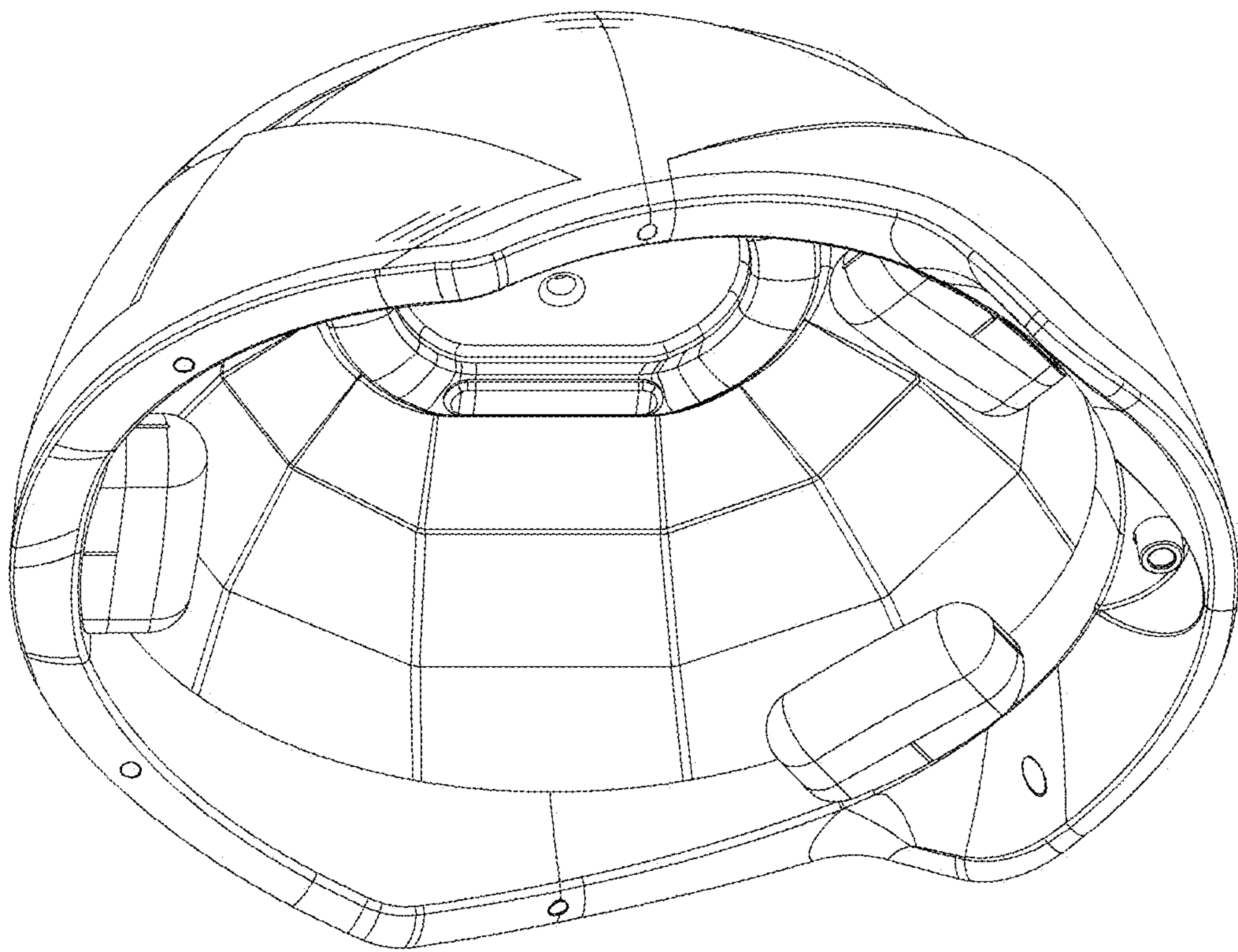


FIG.8