



US00D896976S

(12) **United States Design Patent** (10) **Patent No.:** **US D896,976 S**
Wilson (45) **Date of Patent:** **** Sep. 22, 2020**

- (54) **BOTTLE SUPPORT HARNESS**
- (71) Applicant: **Edna A. Wilson**, Hoover, AL (US)
- (72) Inventor: **Edna A. Wilson**, Hoover, AL (US)
- (**) Term: **15 Years**
- (21) Appl. No.: **29/659,473**
- (22) Filed: **Aug. 9, 2018**

5,105,958 A	4/1992	Patton	
D379,660 S	6/1997	Aube	
5,680,958 A	10/1997	Mann et al.	
5,820,084 A	10/1998	Trumbauer et al.	
5,979,843 A	11/1999	Beck	
6,082,681 A	7/2000	Rand	
6,592,084 B1	7/2003	Nile	
7,275,662 B1	10/2007	Milcetic	
D568,483 S *	5/2008	Spindler	D24/193
D607,115 S *	12/2009	Bellamy-Noseworthy	D24/199
			D24/199
D625,425 S *	10/2010	Williams	D24/199
D700,971 S *	3/2014	Alvarado	D24/199

(Continued)

Related U.S. Application Data

- (63) Continuation of application No. 15/593,419, filed on May 12, 2017, now Pat. No. 10,071,025.
- (51) **LOC (12) Cl.** **07-01**
- (52) **U.S. Cl.**
USPC **D24/199**
- (58) **Field of Classification Search**
USPC D24/199, 193; 248/102, 104-106, 628;
446/227; 280/830
CPC A61J 9/00; A61J 9/06; A61J 9/0684
See application file for complete search history.

Primary Examiner — Catherine R Oliver-Garcia
(74) *Attorney, Agent, or Firm* — Boudwin Intellectual Property; Daniel Boudwin

(57) **CLAIM**

The ornamental design for a bottle support harness, as shown and described.

DESCRIPTION

FIG. 1 is a top, front and side perspective view of a bottle support harness showing my new design; FIG. 2 is a front elevation view thereof; FIG. 3 is a rear elevation view thereof; FIG. 4 is a right side elevation view thereof; FIG. 5 is a left side elevation view thereof; FIG. 6 is a top plan view thereof; and, FIG. 7 is a bottom plan view thereof.

The shade lines in the Figures show contour and not surface ornamentation.

The broken lines shown in the Figures show portions of the bottle support harness which form no part of the claimed design.

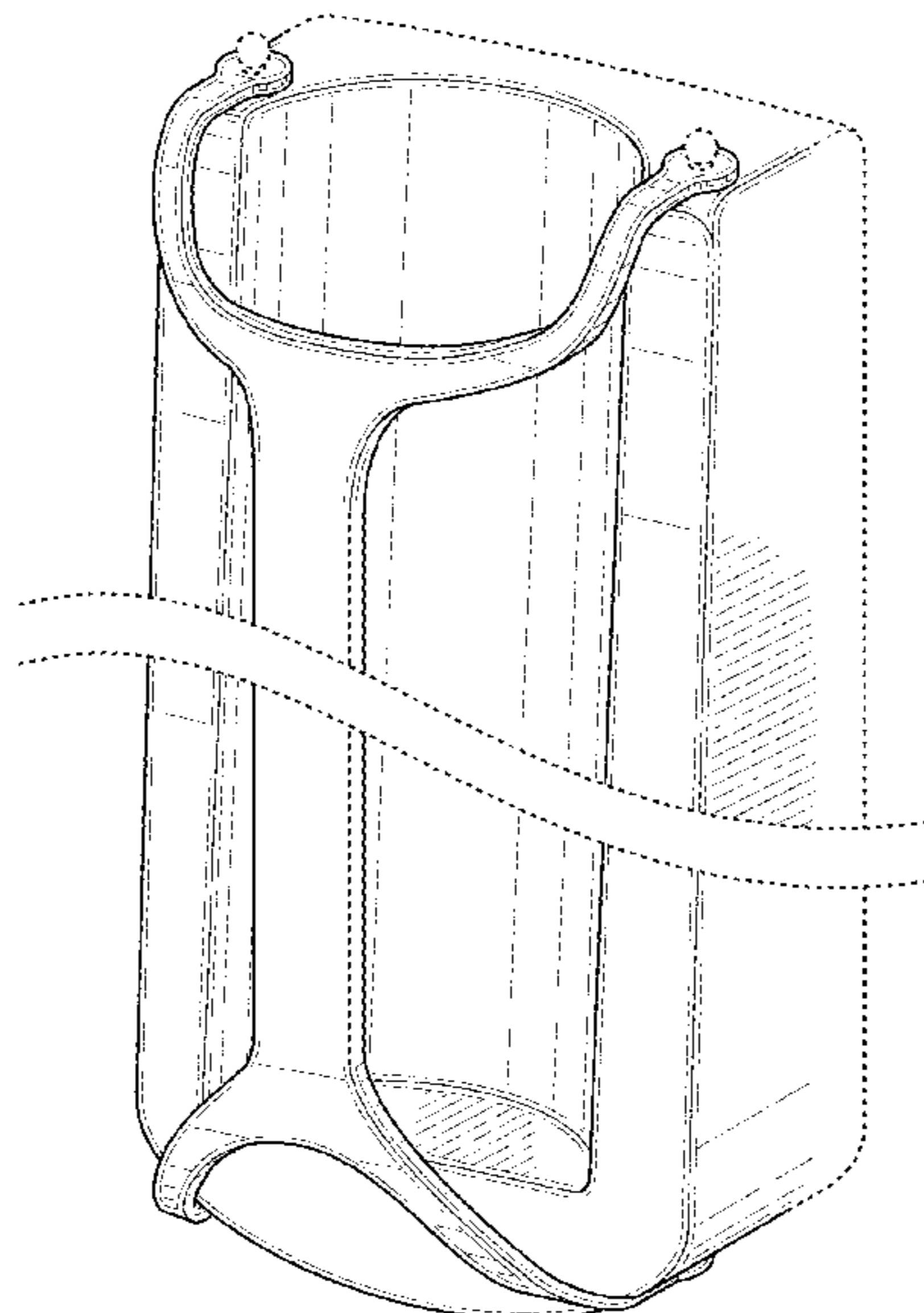
The break lines indicate that no particular length is claimed, and any portion shown between does not form part of the claimed design.

(56) **References Cited**

U.S. PATENT DOCUMENTS

1,136,529 A *	4/1915	Hopwood	A61J 9/06	
				248/102	
1,567,225 A	12/1925	Barebn			
1,886,619 A	11/1932	Anthony			
2,050,622 A	8/1936	Menk			
2,451,846 A *	10/1948	Love	A61J 9/0684	
				248/105	
2,526,121 A	10/1950	Curry et al.			
2,772,801 A	12/1956	Jesse			
2,948,499 A *	8/1960	Manny	A61J 9/0638	
				248/106	
D198,488 S	6/1964	Reis			
3,648,958 A	3/1972	Araujo			
4,718,623 A	1/1988	McClure			
4,895,327 A	1/1990	Malone et al.			
D310,418 S *	9/1990	Tribolet	D24/199	

1 Claim, 4 Drawing Sheets



(56)

References Cited

U.S. PATENT DOCUMENTS

D701,966	S	*	4/2014	Owada	D24/199
D776,488	S	*	1/2017	Brashears	D7/620
2003/0183640	A1		10/2003	Bissell	
2005/0103954	A1		5/2005	Touma	
2010/0307649	A1		12/2010	Dominguez	
2012/0278976	A1		11/2012	Benton	
2014/0277303	A1		9/2014	Biser et al.	
2017/0333293	A1		11/2017	Wilson	

* cited by examiner

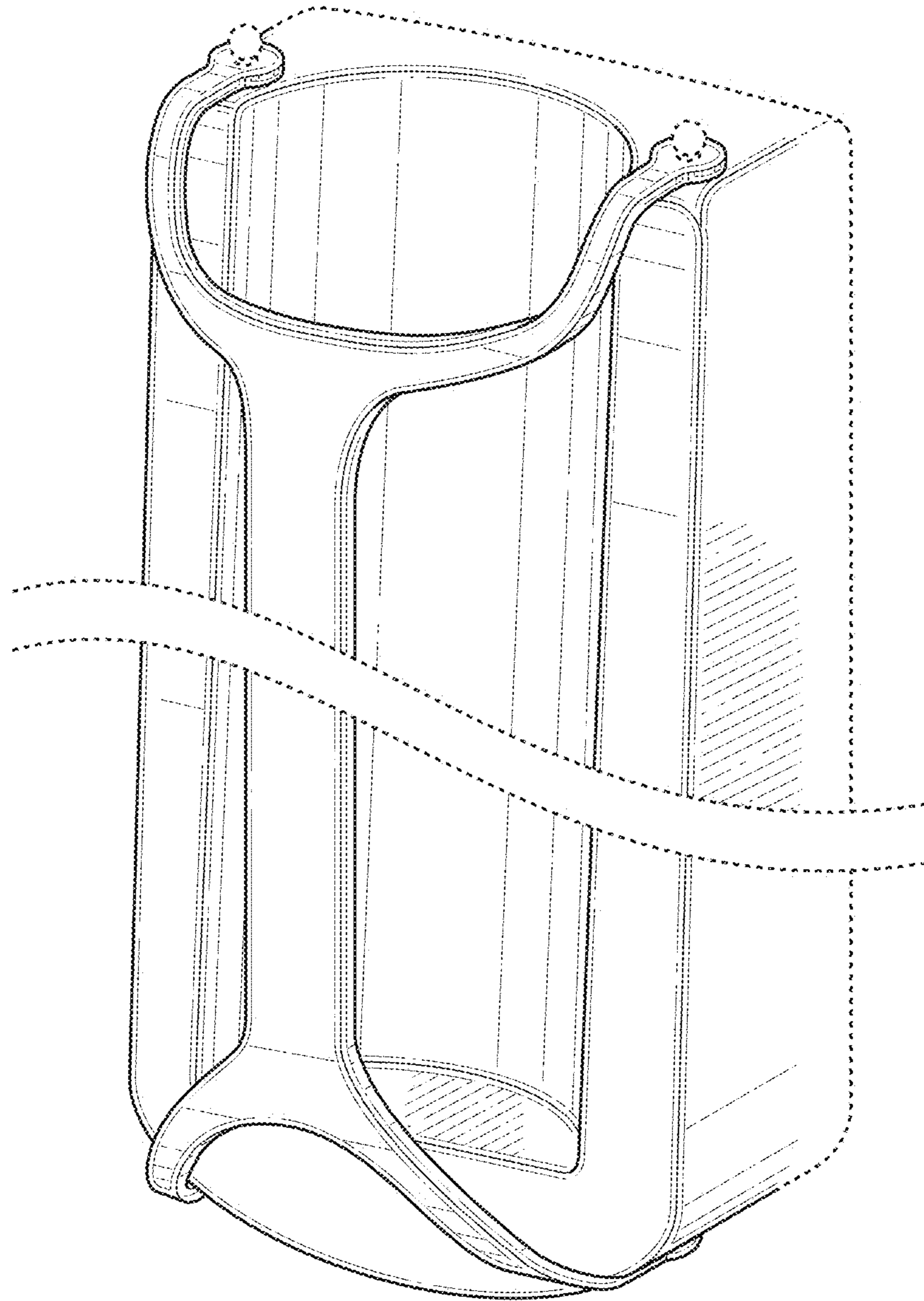


FIG. 1

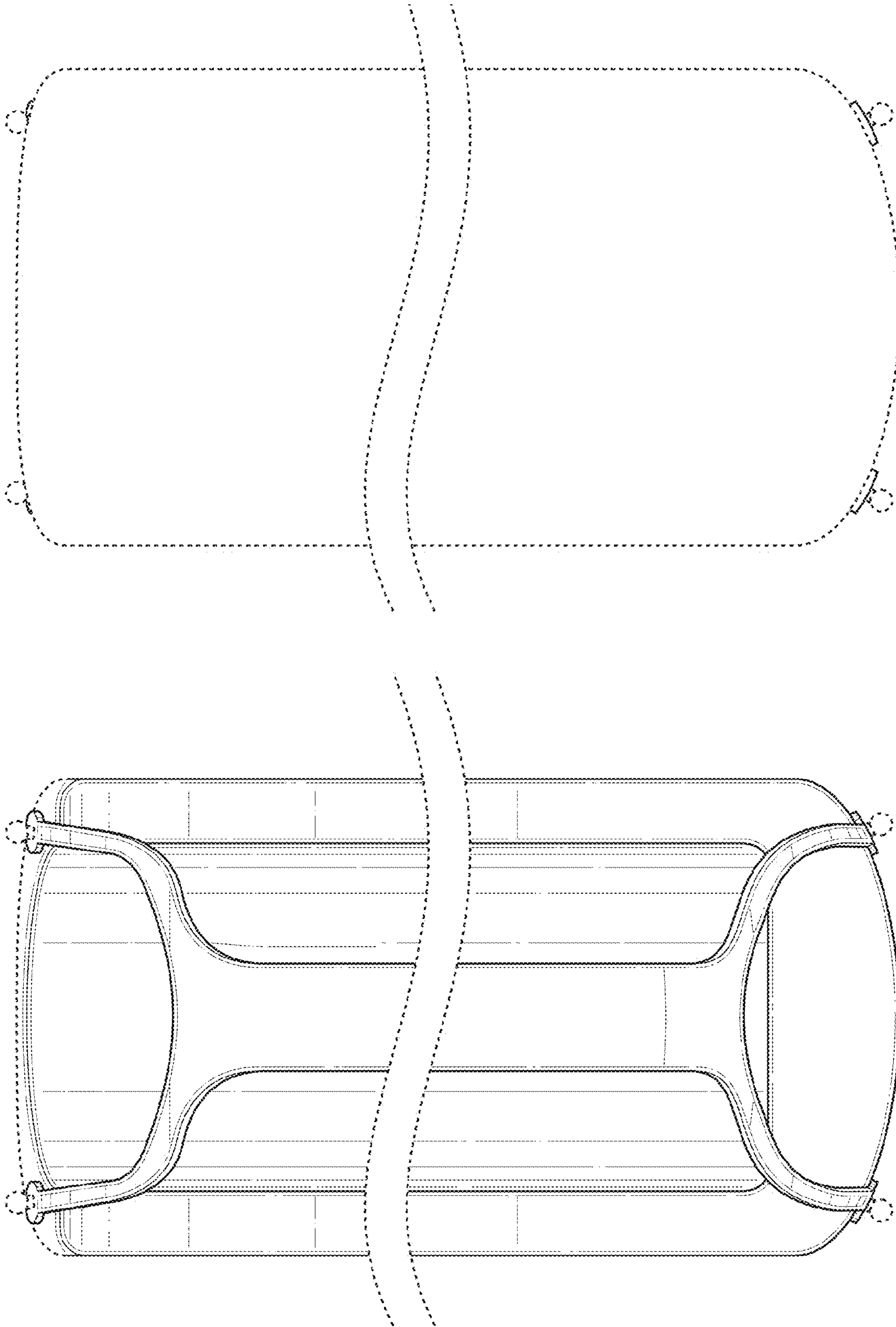


FIG. 3

FIG. 2

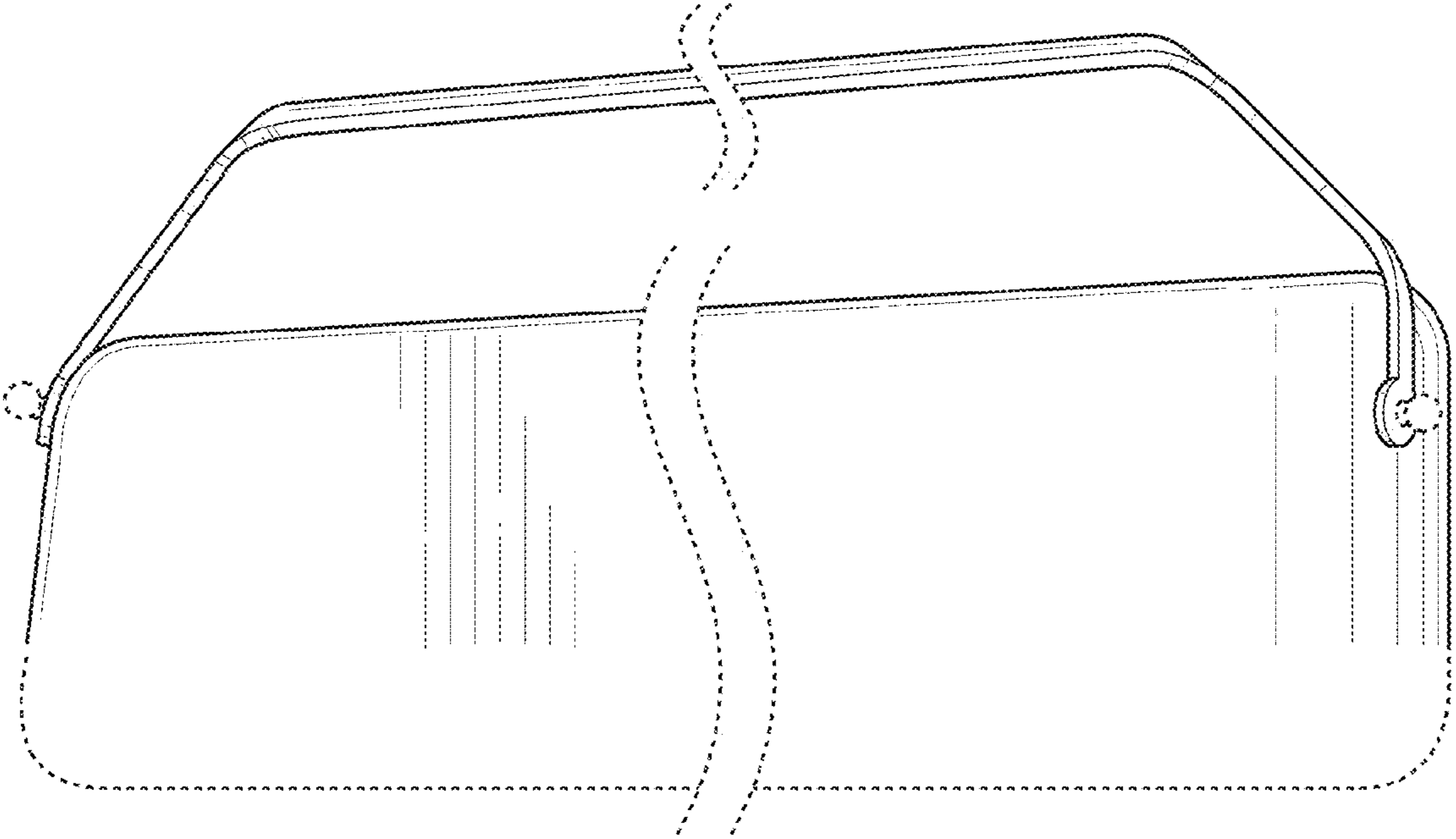


FIG. 5

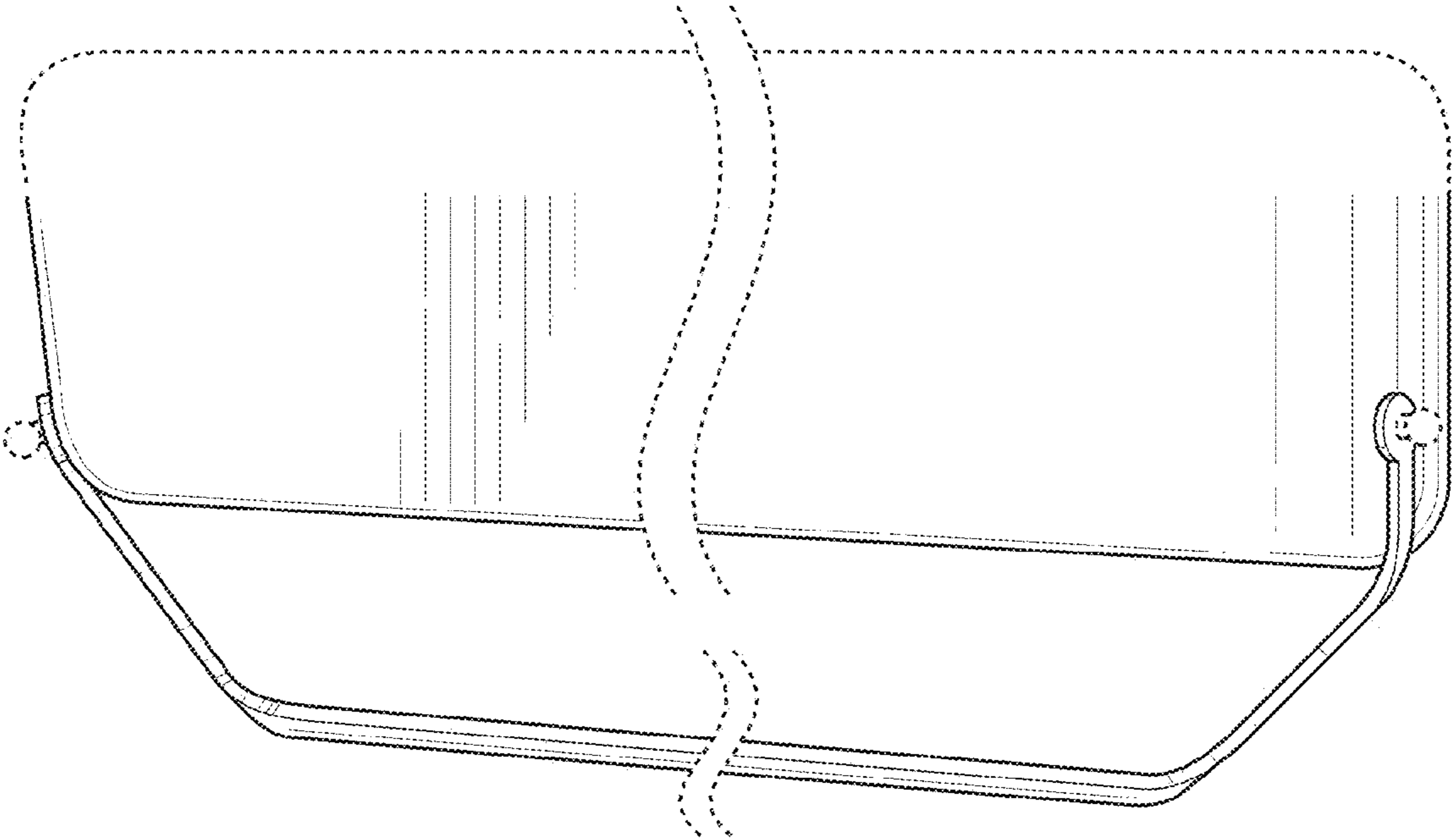


FIG. 4

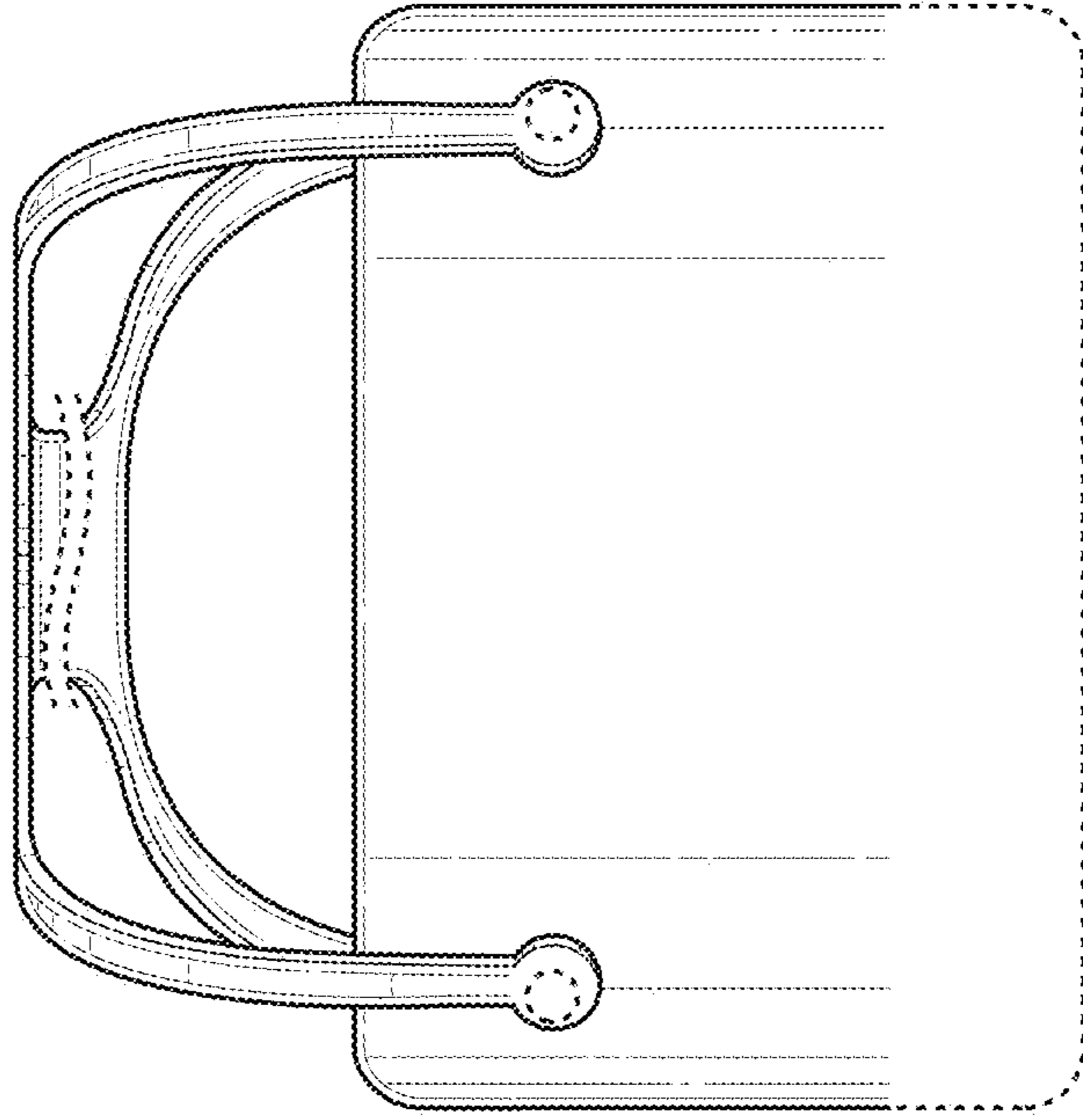


FIG. 7

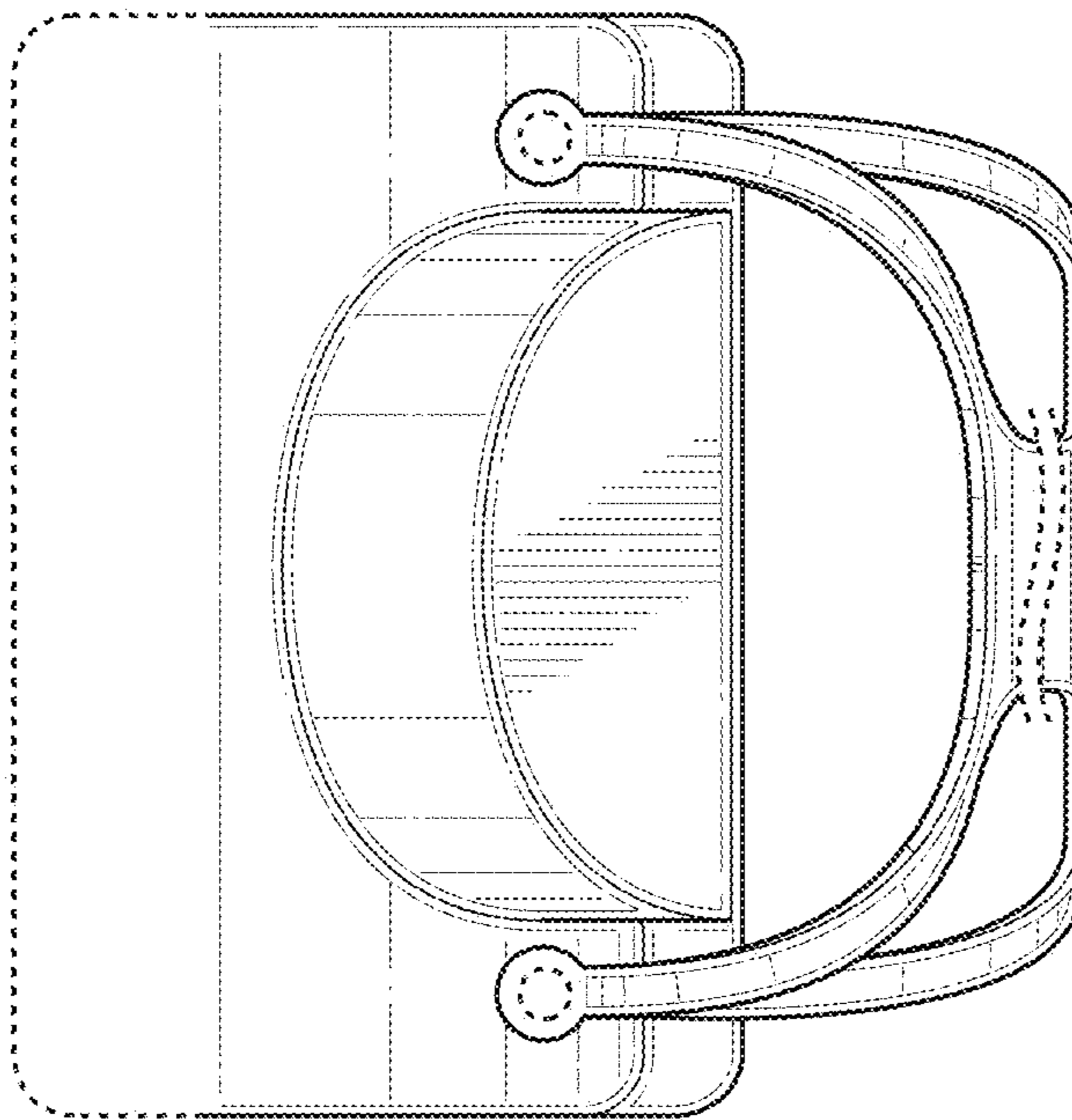


FIG. 6