



US00D896975S

(12) **United States Design Patent** (10) **Patent No.:** **US D896,975 S**  
**Chen** (45) **Date of Patent:** **\*\* Sep. 22, 2020**

(54) **NECK HEAD HAMMOCK**  
(71) Applicant: **Geng Chen**, Shenzhen (CN)  
(72) Inventor: **Geng Chen**, Shenzhen (CN)  
(\*\*) Term: **15 Years**  
(21) Appl. No.: **29/736,284**  
(22) Filed: **May 29, 2020**  
(51) **LOC (12) Cl.** ..... **24-01**  
(52) **U.S. Cl.**  
USPC ..... **D24/191**  
(58) **Field of Classification Search**  
USPC ..... D24/183, 184, 188, 190, 191; D21/662;  
D6/347  
CPC ..... A63B 21/068; A63B 2225/09; A63B  
21/4035; A63B 21/4043; A63B 21/1663;  
A63B 21/16; A63B 21/0442; A63B  
2023/006; A47C 7/383; A47C 31/00;  
B60N 2/882; B60N 2/2851  
See application file for complete search history.

9,789,409 B1 \* 10/2017 Yakos ..... A63G 9/14  
D801,710 S 11/2017 Weng  
D824,035 S \* 7/2018 Sudell ..... D24/191  
D829,012 S \* 9/2018 Ingjalddottir ..... D6/347  
D845,492 S \* 4/2019 Sudell ..... D24/190  
D845,493 S \* 4/2019 Sudell ..... D24/190  
D845,494 S \* 4/2019 Sudell ..... D24/190  
D861,804 S \* 10/2019 Rios ..... D21/662  
D865,188 S \* 10/2019 Dorsey ..... D24/190  
D889,666 S \* 7/2020 McDougald ..... D24/183  
2001/0054837 A1 \* 12/2001 O'Connor ..... B60N 2/868  
297/397  
2010/0222729 A1 \* 9/2010 Chin ..... A61F 5/04  
602/32

\* cited by examiner

*Primary Examiner* — Jennifer L Watkins  
(74) *Attorney, Agent, or Firm* — HYIP

(57) **CLAIM**

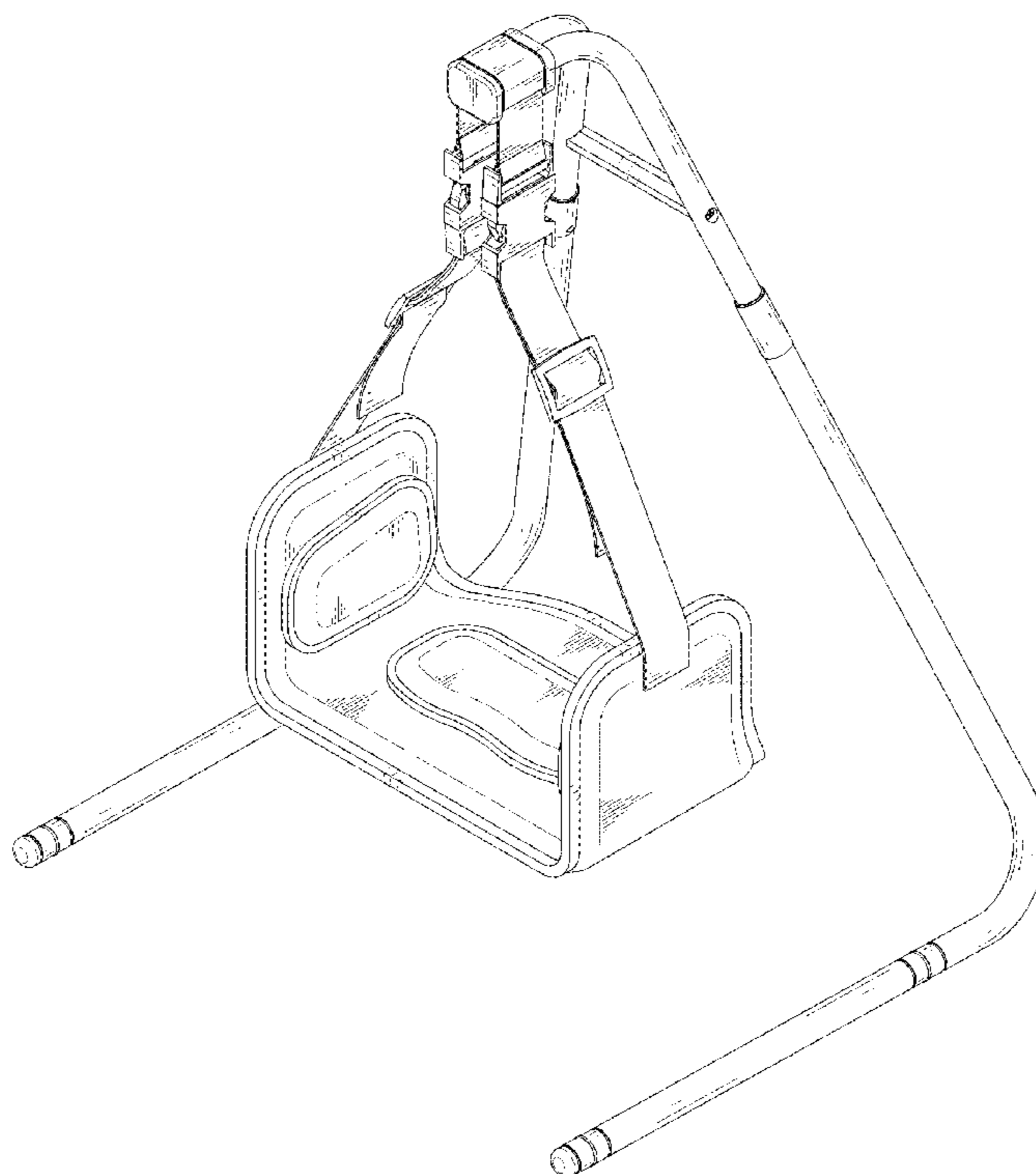
The ornamental design for a neck head hammock, as shown and described.

**DESCRIPTION**

FIG. 1 is a first perspective view of a neck head hammock showing my new design;  
FIG. 2 is a second perspective view thereof;  
FIG. 3 is a front view thereof;  
FIG. 4 is a back view thereof;  
FIG. 5 is a left side view thereof;  
FIG. 6 is a right side view thereof;  
FIG. 7 is a top view thereof; and,  
FIG. 8 is a bottom view thereof.

(56) **References Cited**  
U.S. PATENT DOCUMENTS  
D330,083 S \* 10/1992 Nightingale ..... D24/188  
5,676,158 A \* 10/1997 Katzman ..... A61H 1/0218  
128/845  
D442,693 S \* 5/2001 Sternberg ..... D24/190  
D513,438 S \* 1/2006 McNeice ..... D24/188  
D660,608 S \* 5/2012 Hasman ..... D6/347  
D705,553 S 5/2014 Zheng  
D752,351 S 3/2016 Pan  
D771,263 S \* 11/2016 Gazit ..... D24/191

**1 Claim, 8 Drawing Sheets**



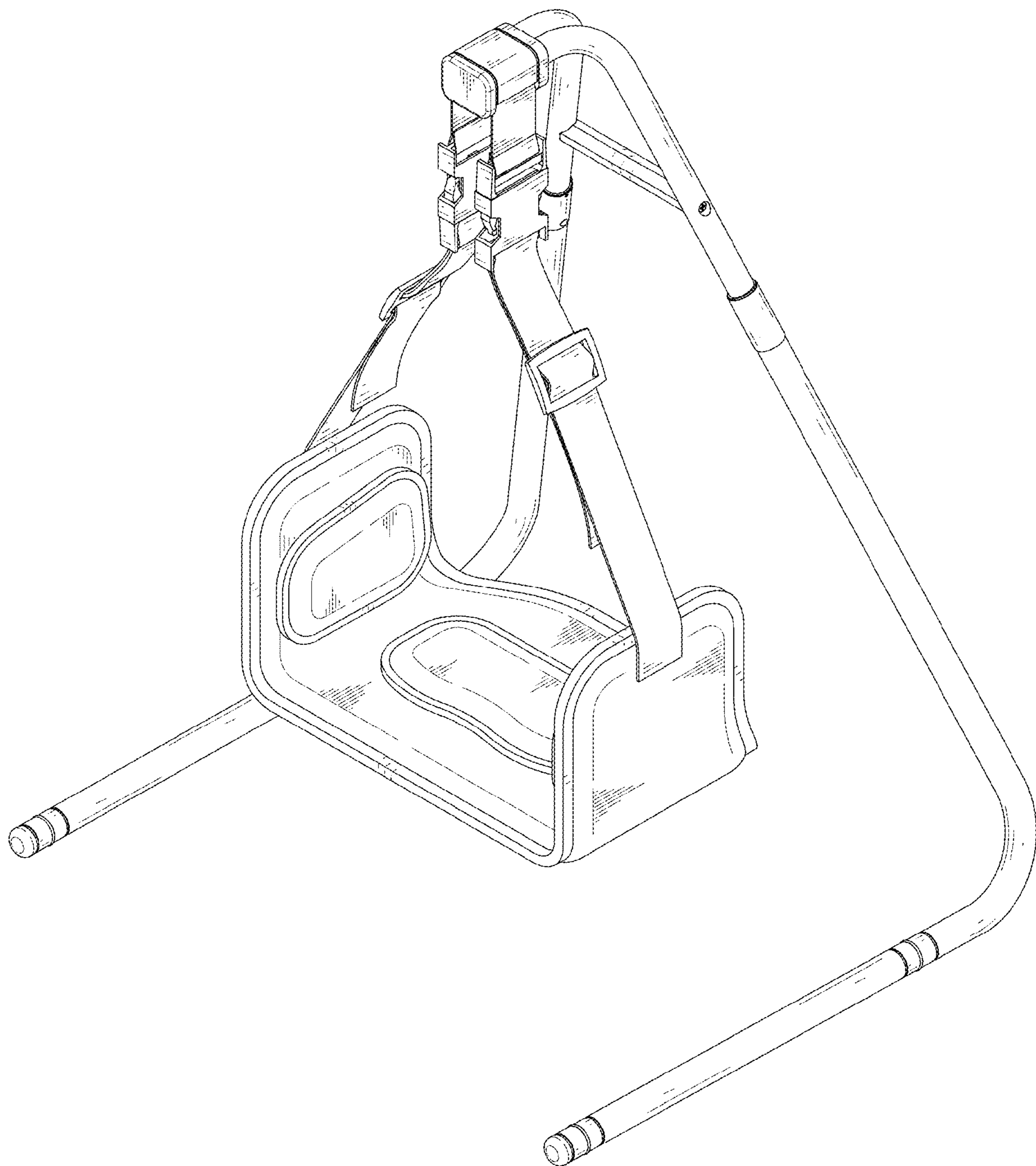


FIG. 1

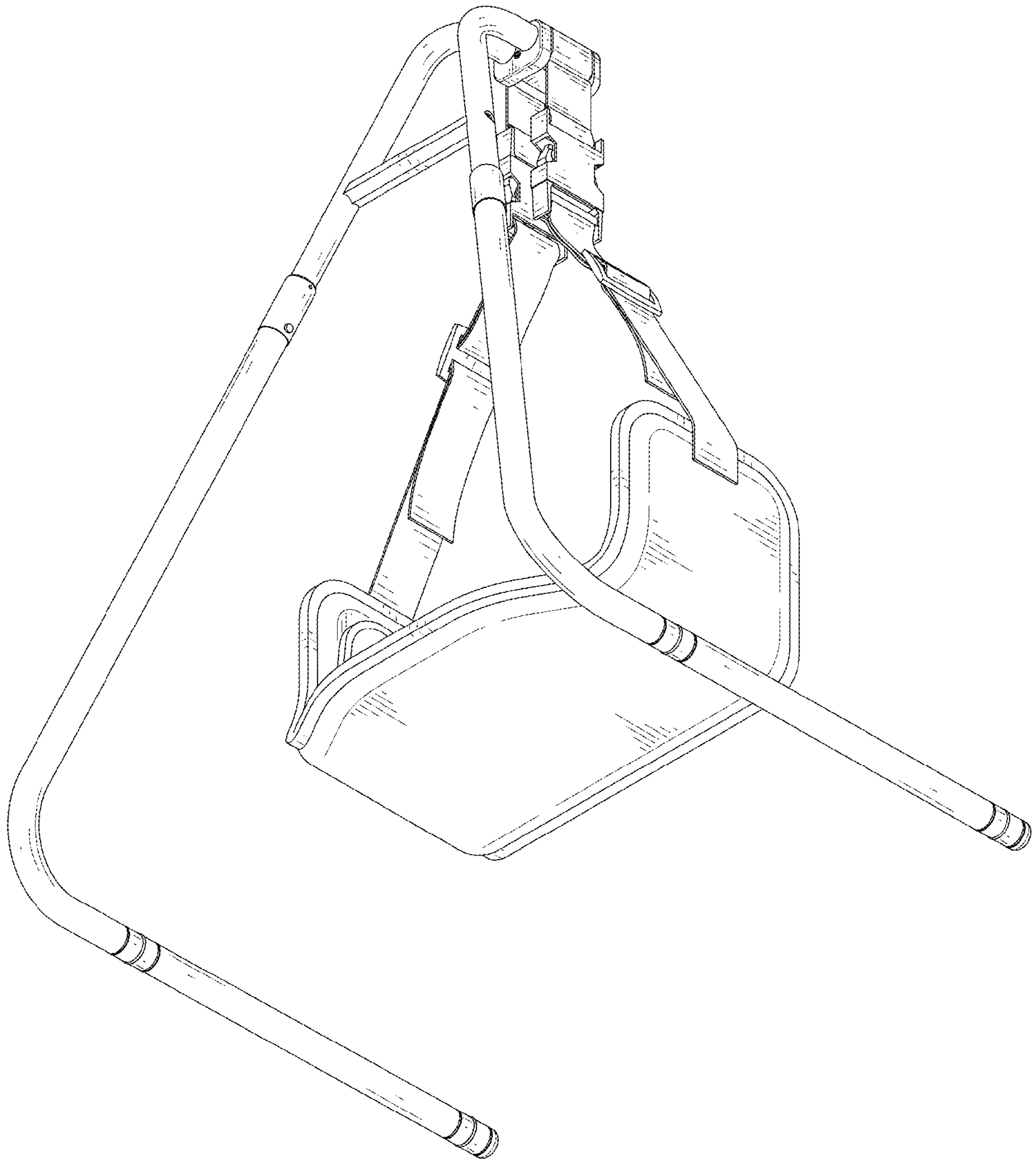


FIG. 2

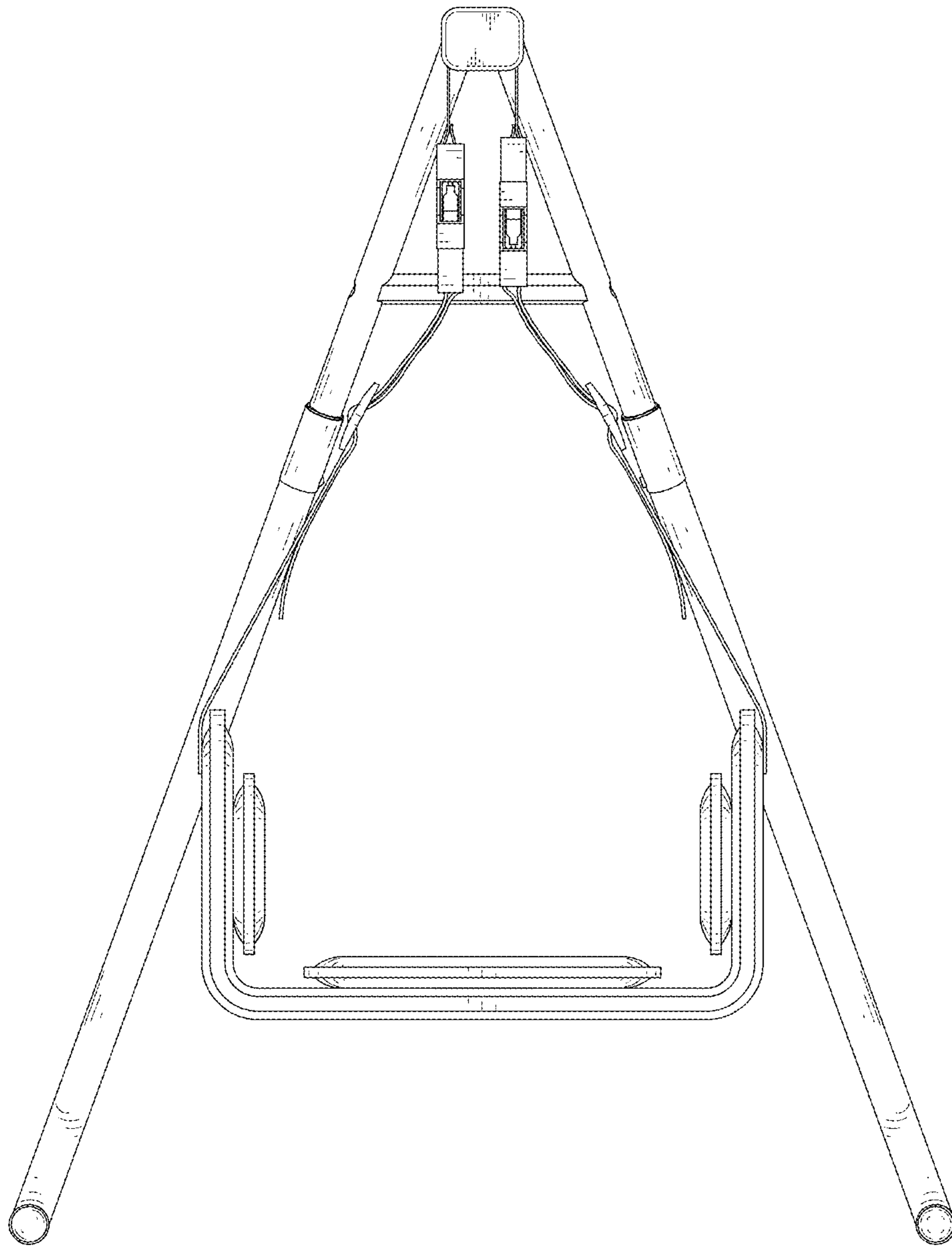


FIG. 3

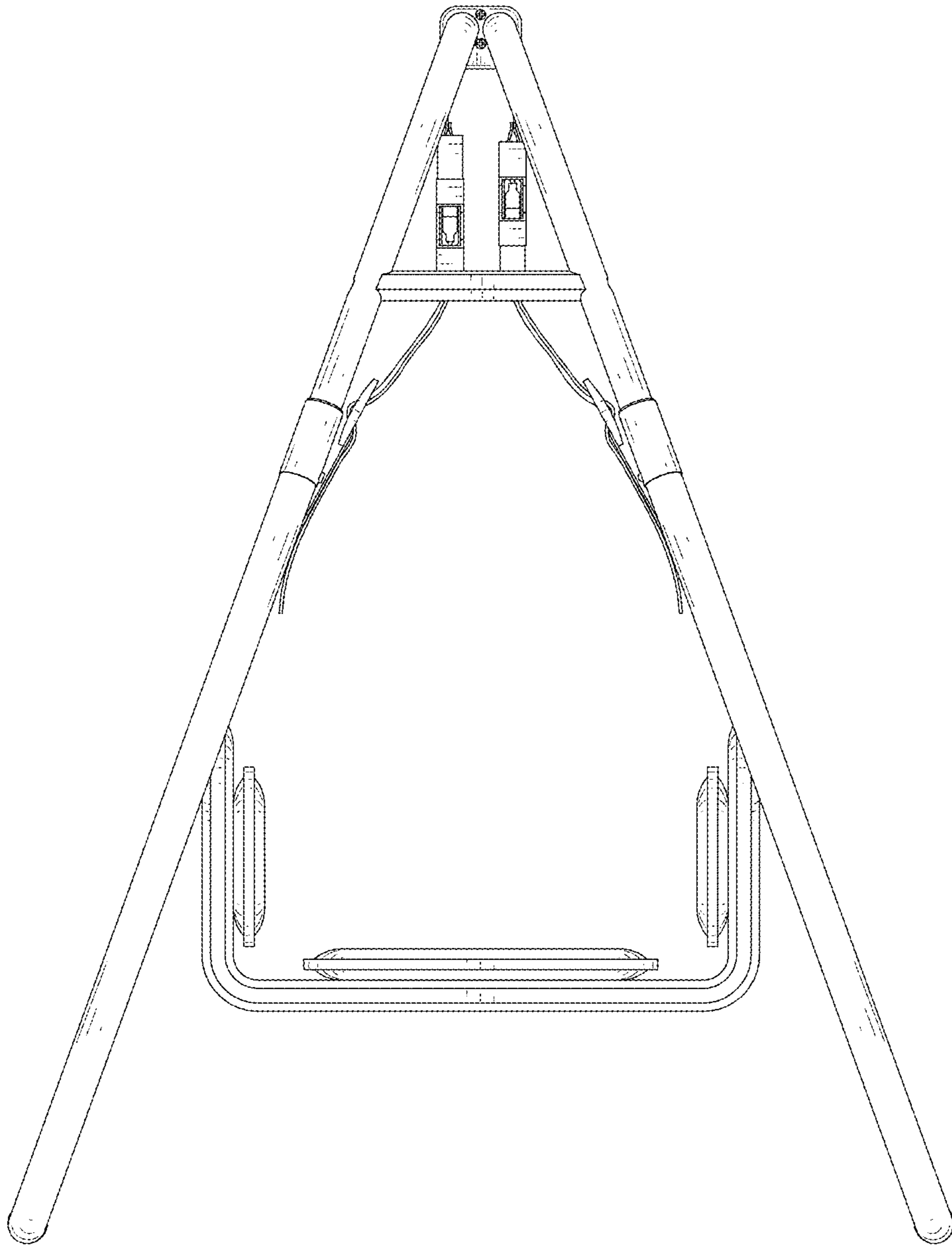


FIG. 4

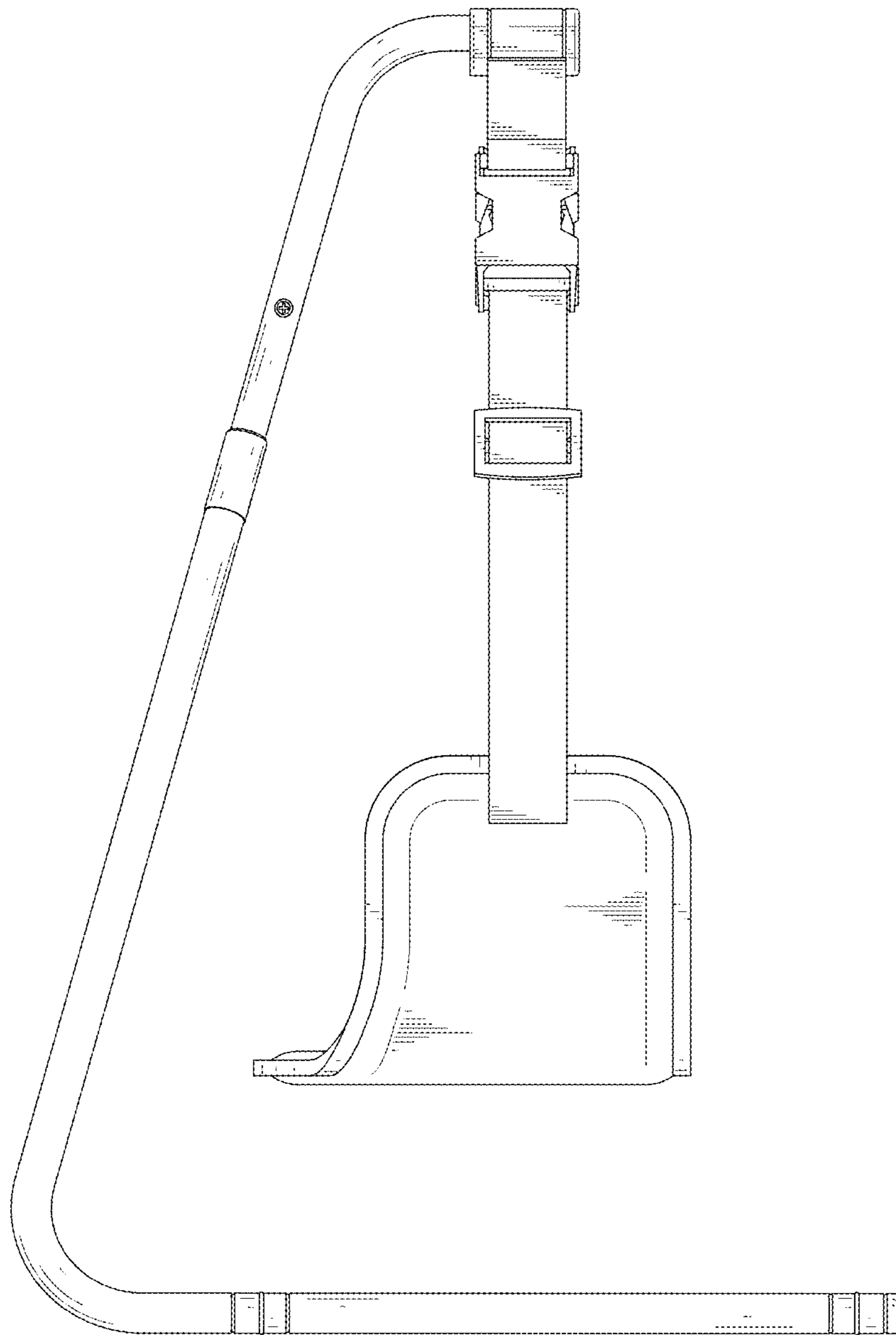


FIG. 5

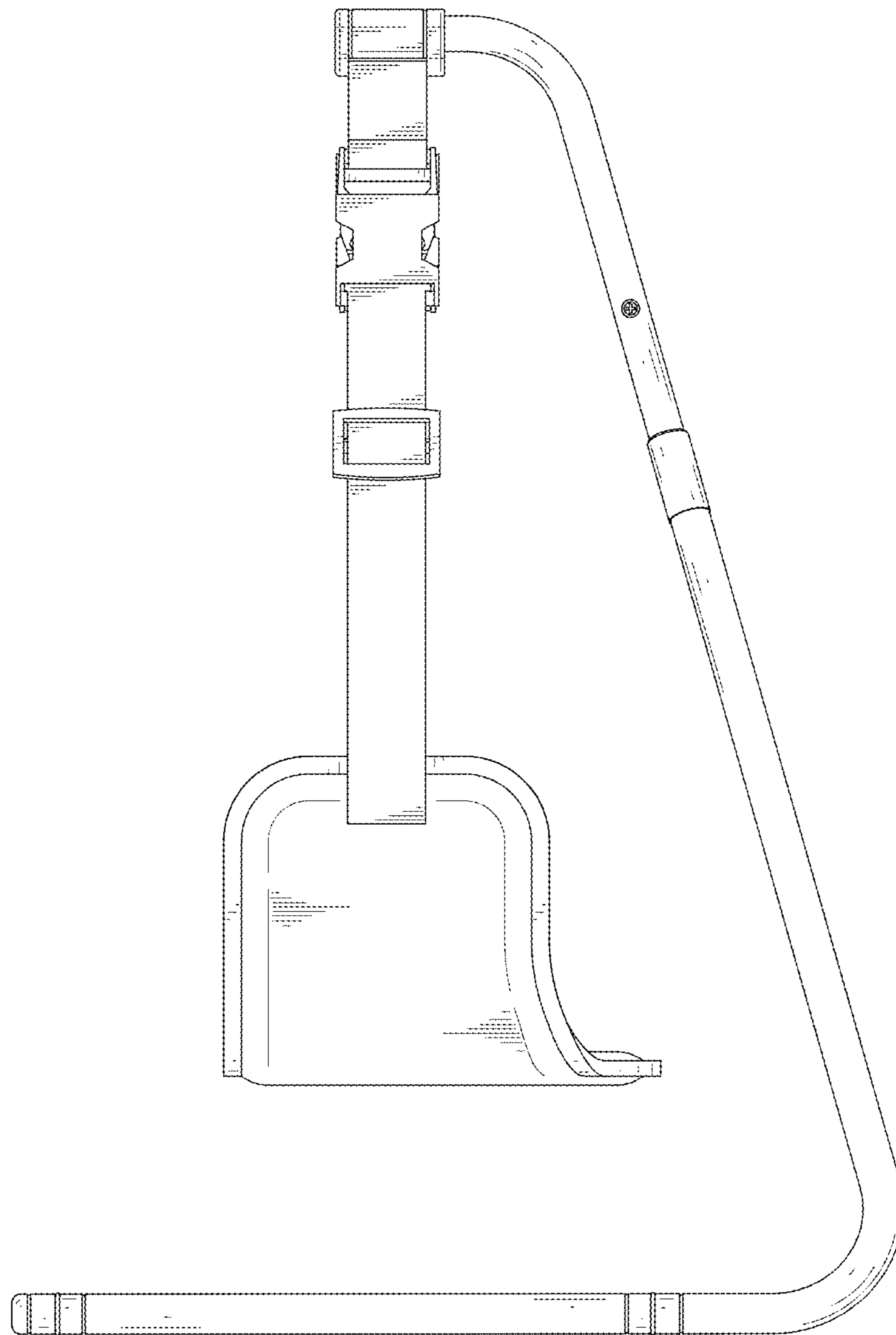


FIG. 6

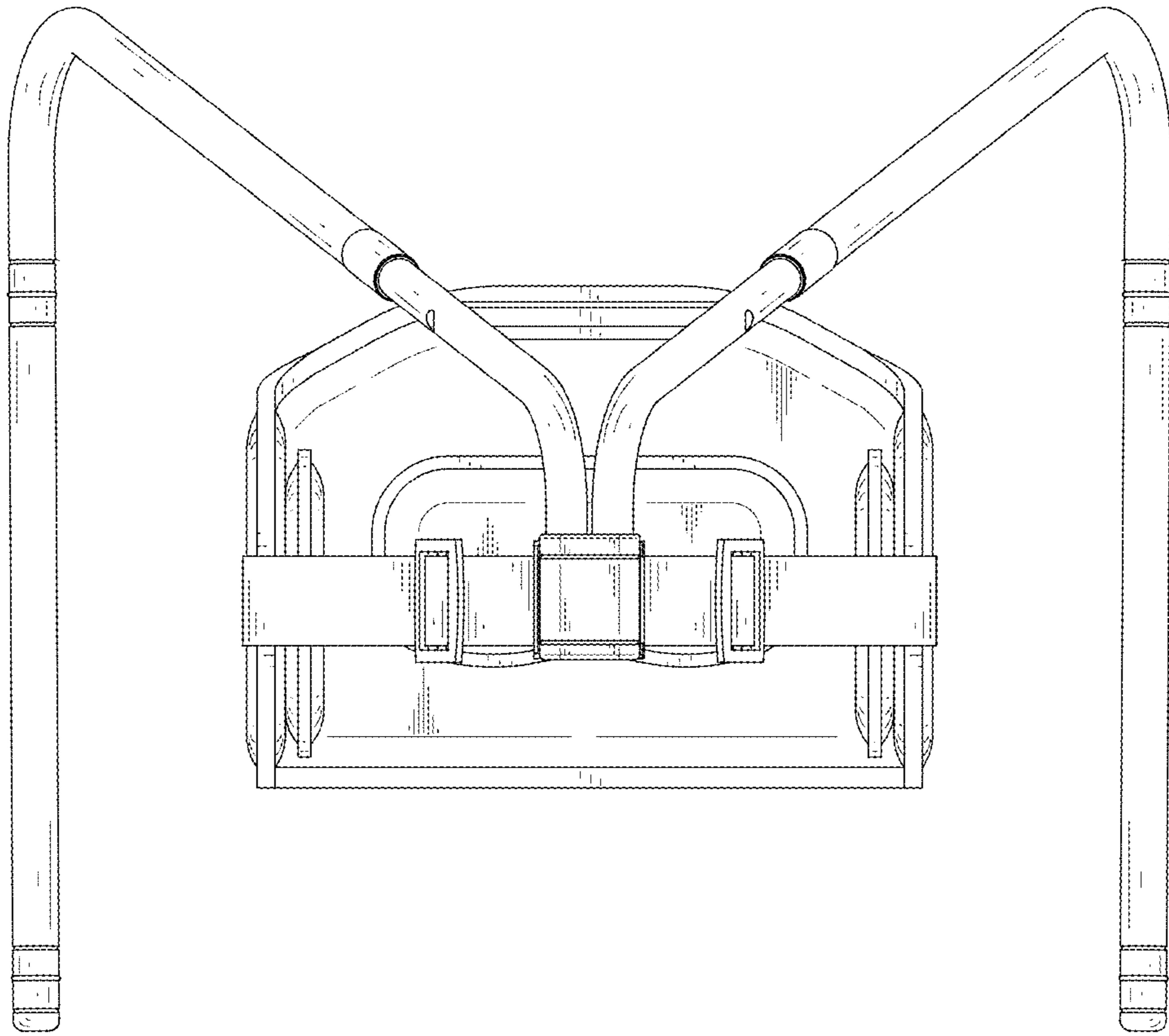


FIG. 7



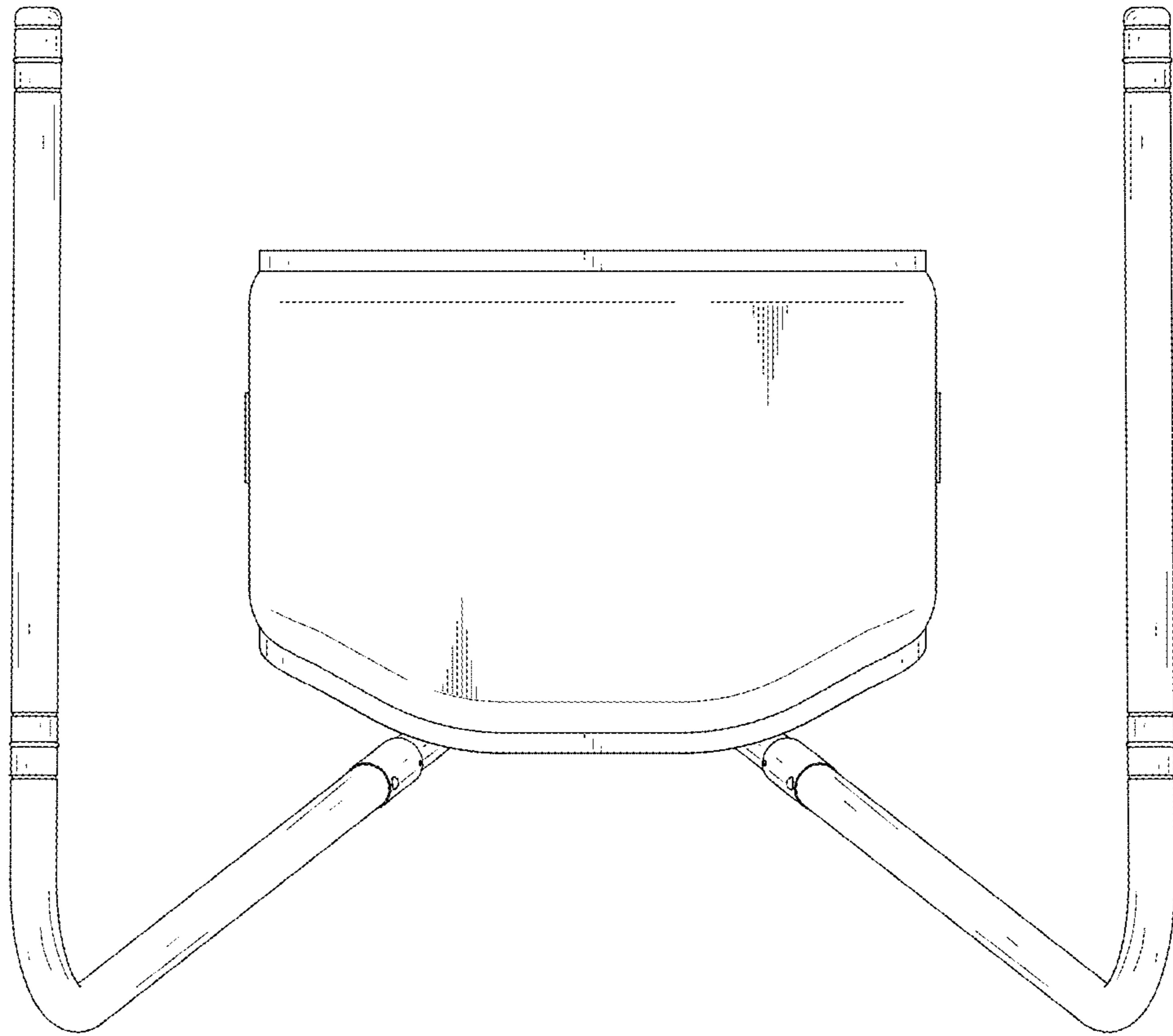


FIG. 8