



US00D896974S

(12) **United States Design Patent** (10) **Patent No.:** **US D896,974 S**
Chen (45) **Date of Patent:** **** Sep. 22, 2020**

(54) **HIP LIFTER**
(71) Applicant: **Geng Chen**, Shenzhen (CN)
(72) Inventor: **Geng Chen**, Shenzhen (CN)
(**) Term: **15 Years**
(21) Appl. No.: **29/736,923**
(22) Filed: **Jun. 4, 2020**
(51) **LOC (12) Cl.** **24-01**
(52) **U.S. Cl.**
USPC **D24/188**
(58) **Field of Classification Search**
USPC D24/188, 190; D21/698, 780
CPC A61F 5/0118; A61F 13/04; A61F 5/0106;
A61F 5/40; A61F 13/00059; A61F
13/023; A61F 13/025; A61F 13/0259;
A61F 13/0276; A61F 13/041; A61F
13/062; A61F 13/108; A61F 13/122;
A61F 13/622; A61F 2005/0137; A61F
2005/0158; A61F 2013/0028; A61F
2013/00919; A61F 5/01; A61F 5/0109
See application file for complete search history.

D790,017 S * 6/2017 Mueller D21/780
D865,098 S 10/2019 Sunday
D876,639 S * 2/2020 Huang D24/188
D887,010 S * 6/2020 Smith-Martin D24/188
2005/0266942 A1* 12/2005 Failla Colonnello Seppi
A63B 49/08
473/551
2016/0236052 A1* 8/2016 Sunday A63B 69/00

* cited by examiner

Primary Examiner — Jennifer L Watkins
(74) *Attorney, Agent, or Firm* — HYIP

(56) **References Cited**
U.S. PATENT DOCUMENTS
D442,693 S * 5/2001 Sternberg D24/190
D544,100 S * 6/2007 Ansari D24/188
D663,366 S 7/2012 Ho
8,545,424 B2* 10/2013 Hirata A61H 1/0244
602/24
D698,401 S 1/2014 Ho

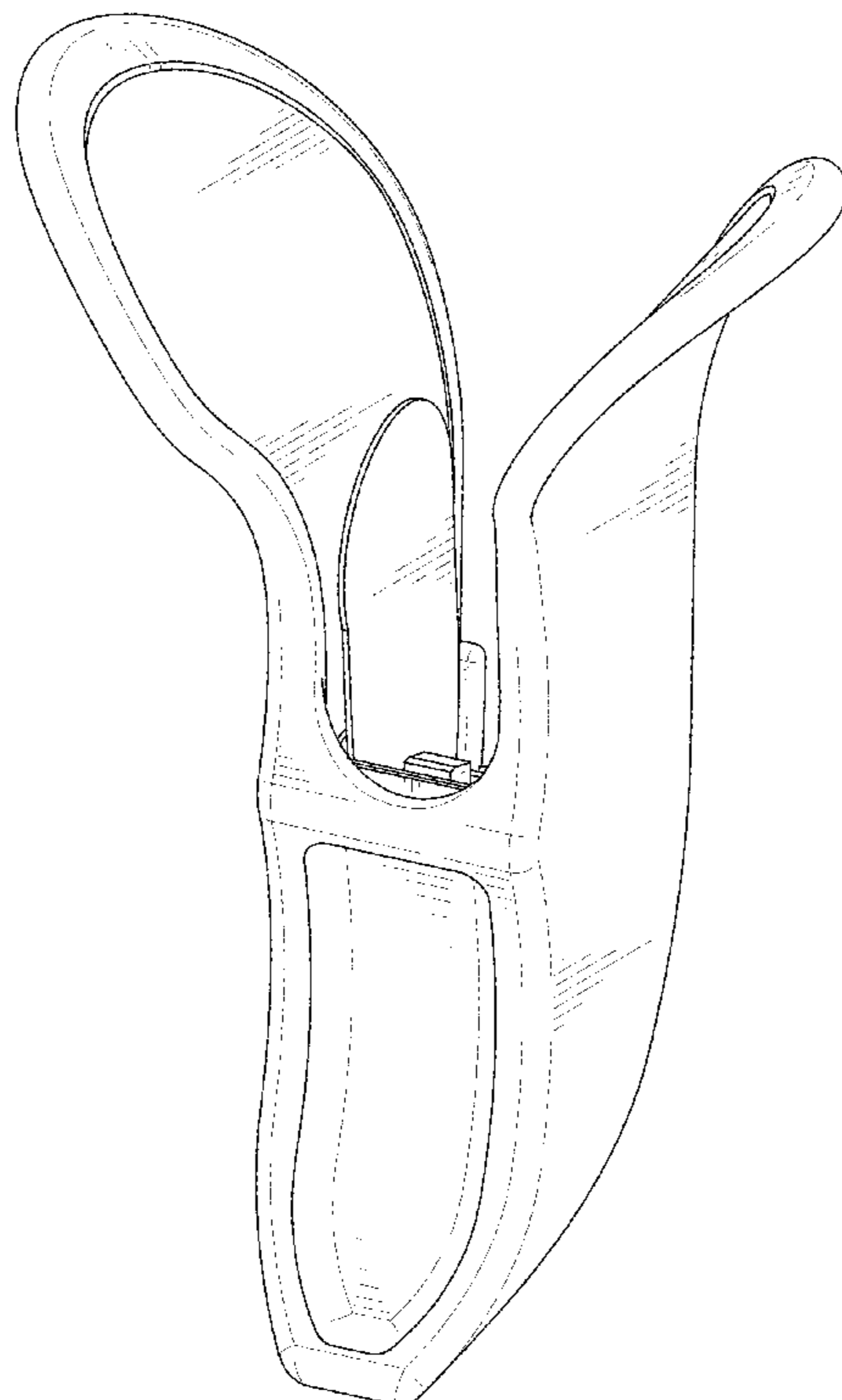
(57) **CLAIM**

The ornamental design for a hip lifter, as shown and described.

DESCRIPTION

FIG. 1 is a first perspective view of a hip lifter showing my new design;
FIG. 2 is a second perspective view thereof;
FIG. 3 is a front view thereof;
FIG. 4 is a back view thereof;
FIG. 5 is a left side view thereof;
FIG. 6 is a right side view thereof;
FIG. 7 is a top view thereof; and,
FIG. 8 is a bottom view thereof.
The broken lines shown in the drawings depict portions of the hip lifter in which the design is embodied that form no part of the claimed design.

1 Claim, 8 Drawing Sheets



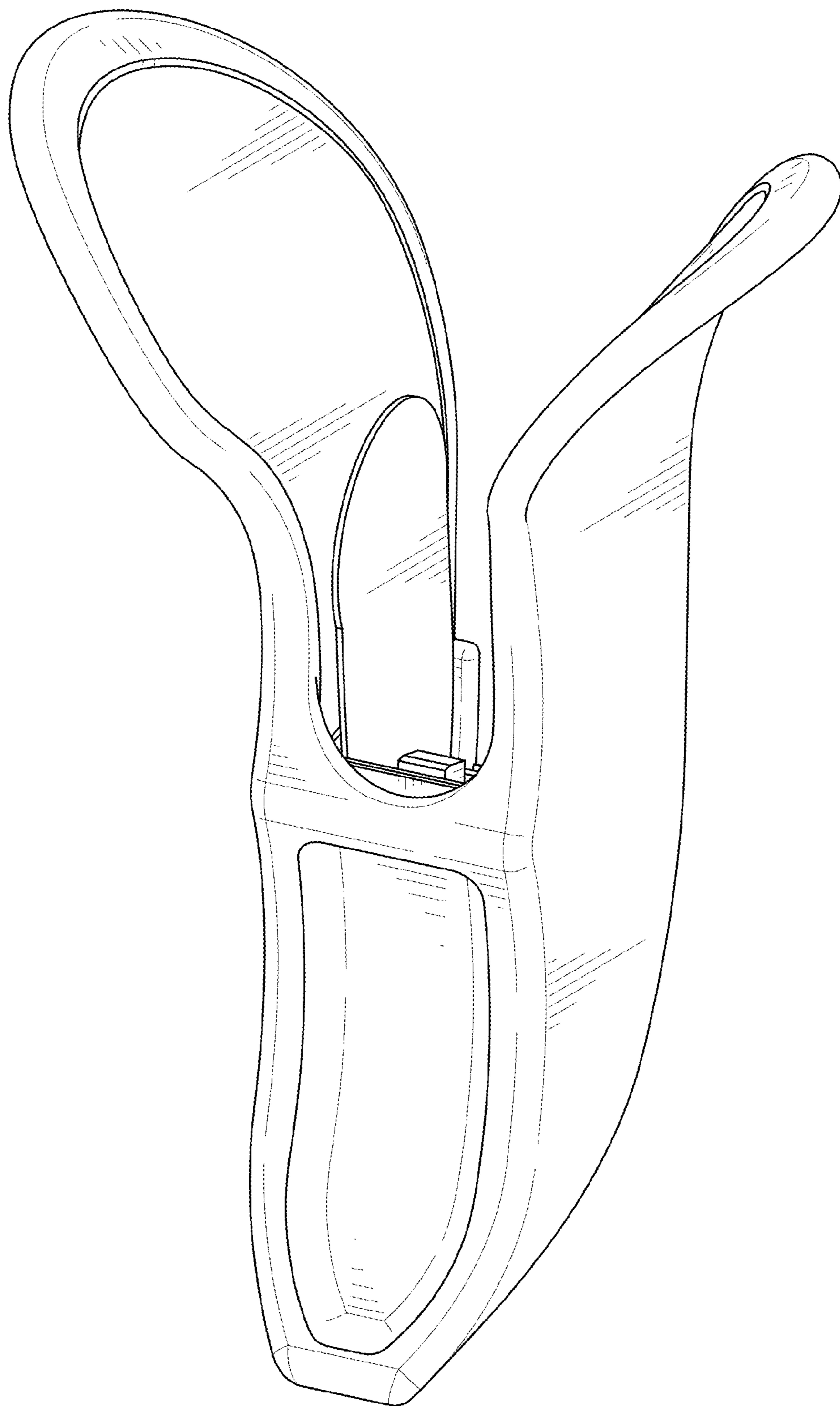


FIG. 1

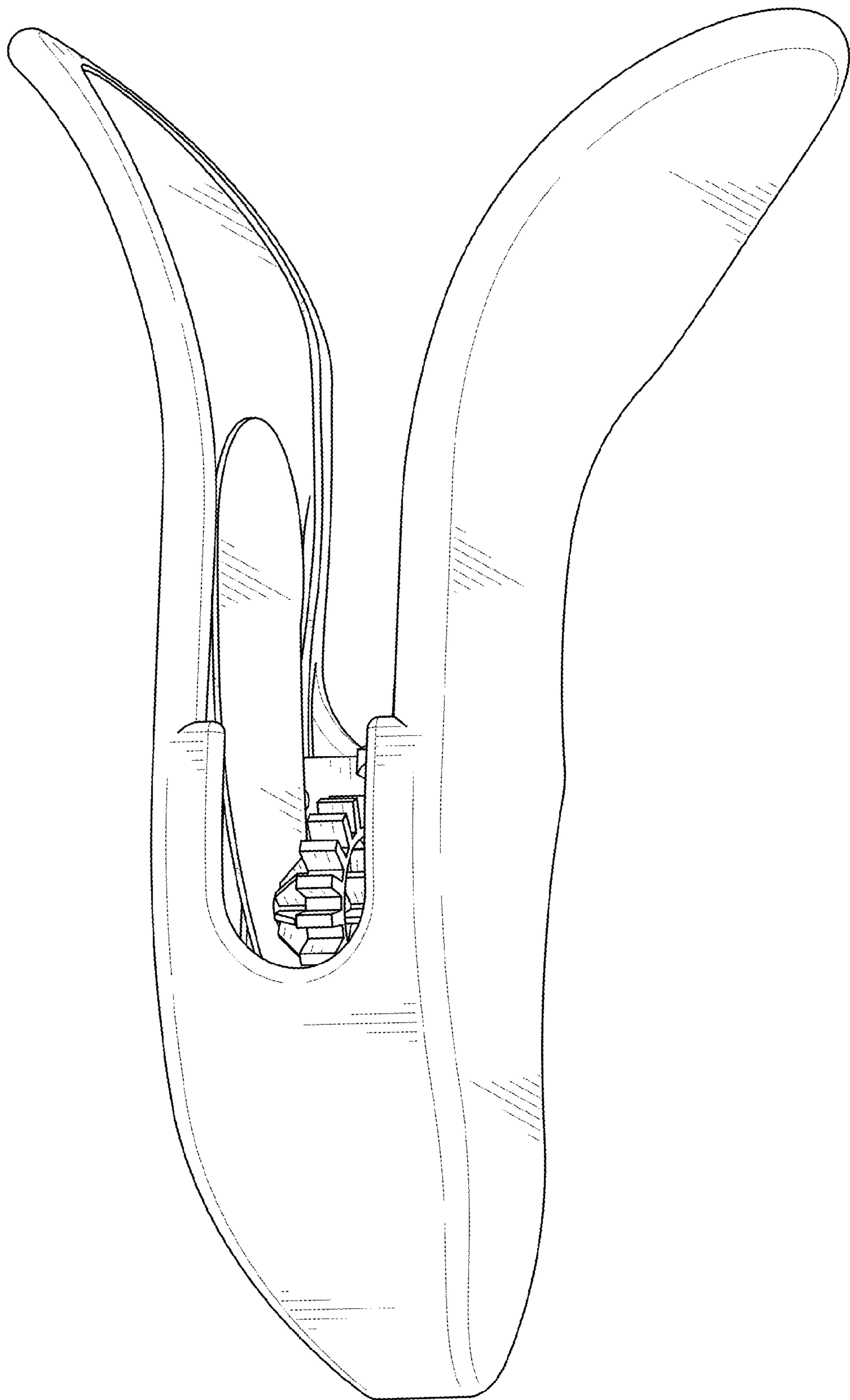


FIG. 2

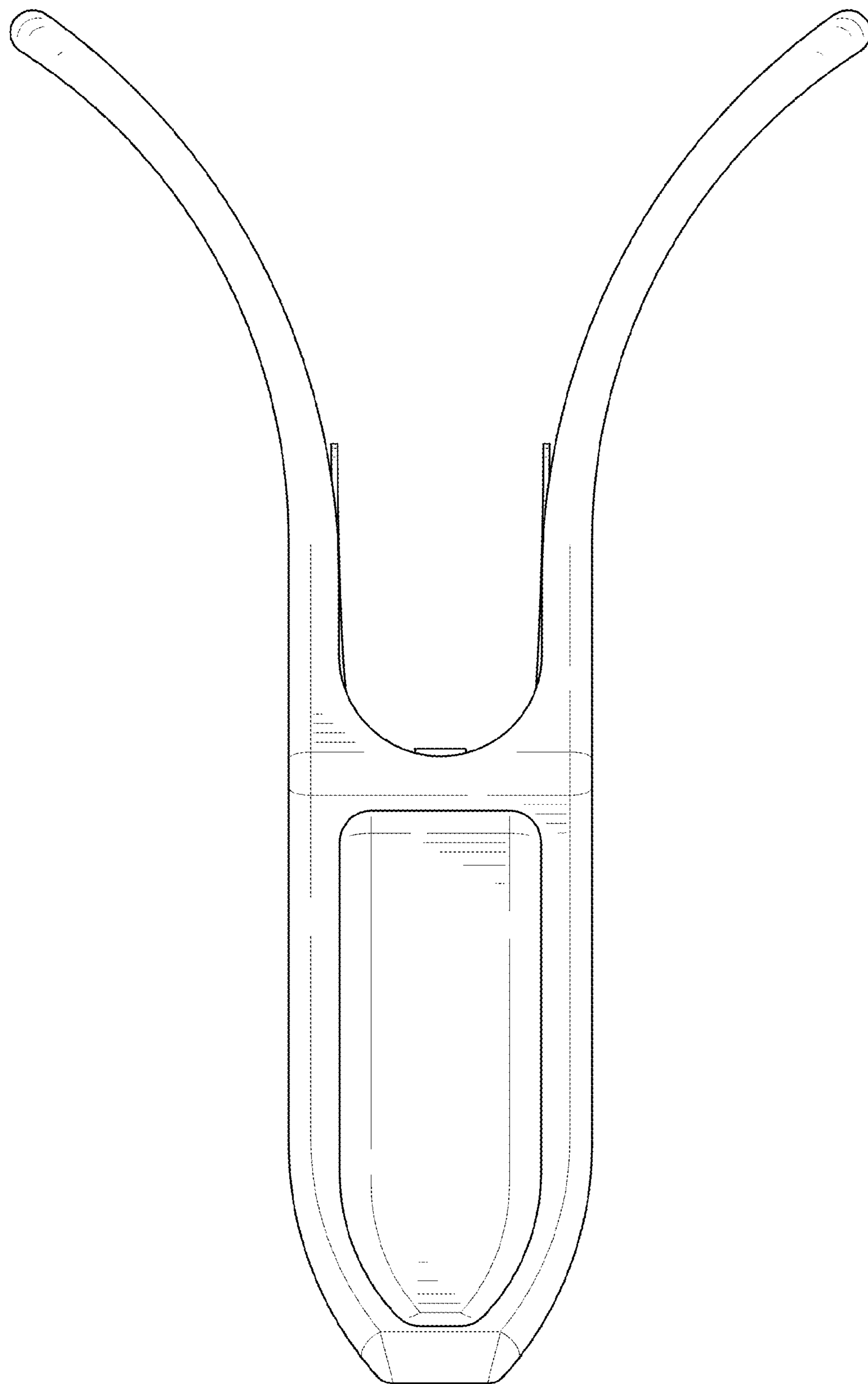


FIG. 3

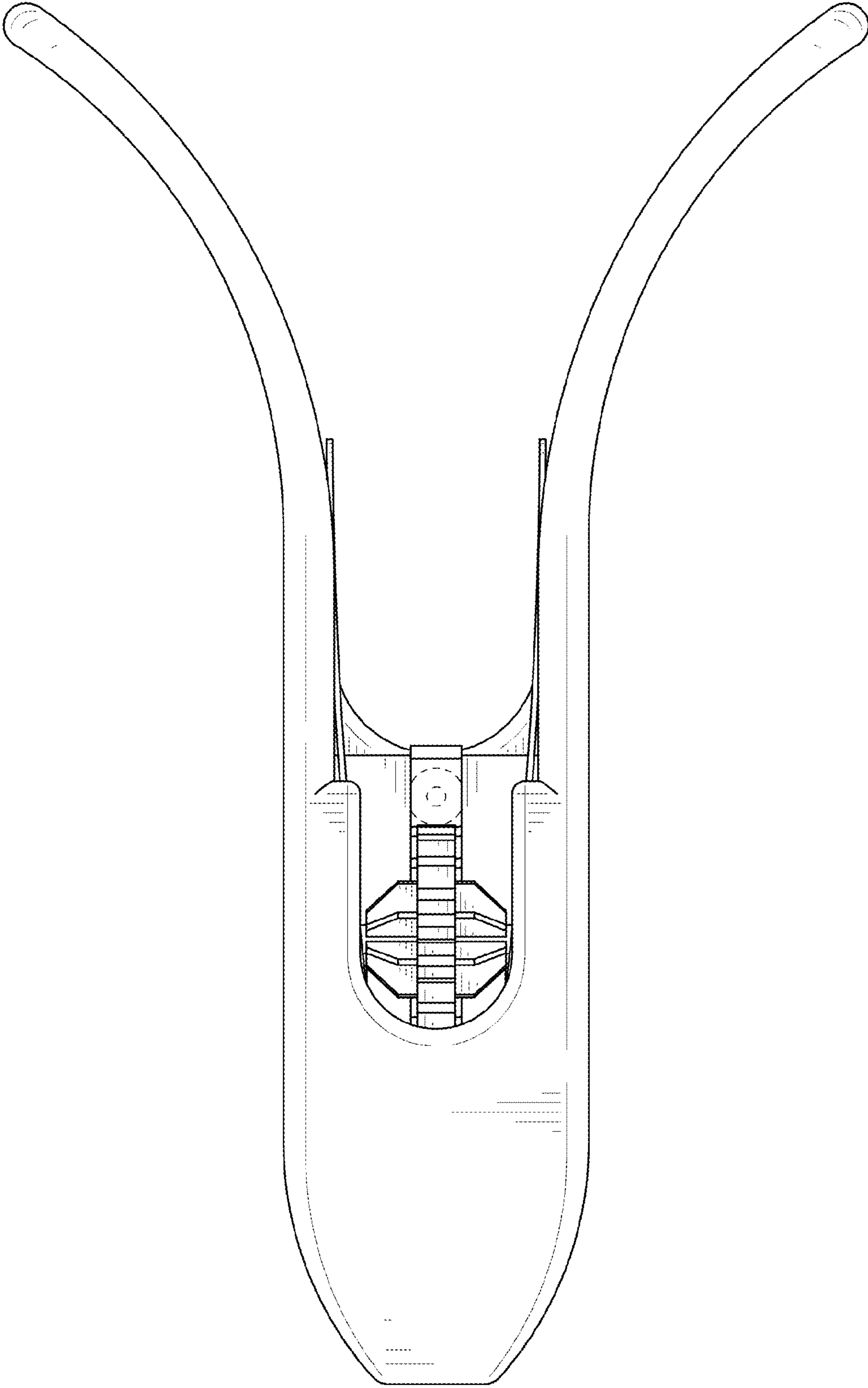


FIG. 4

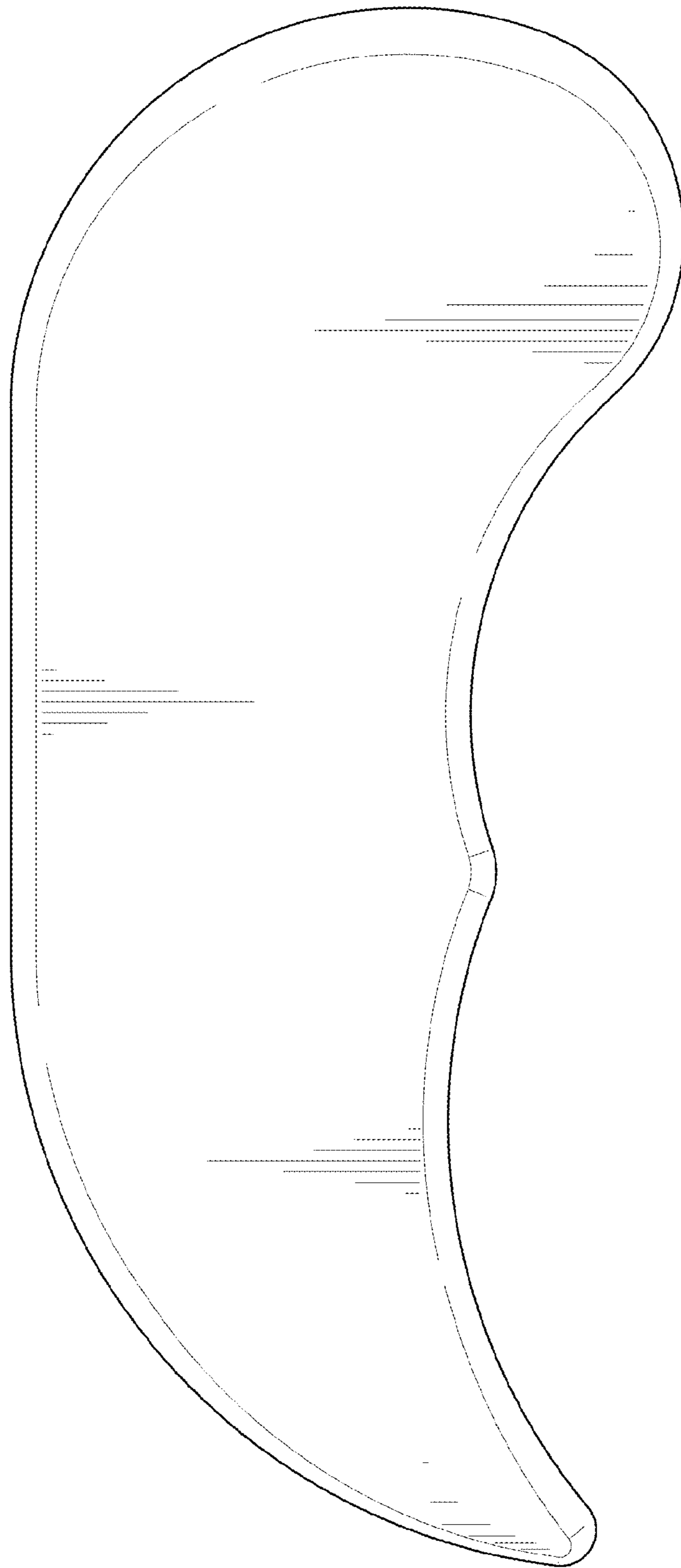


FIG. 5

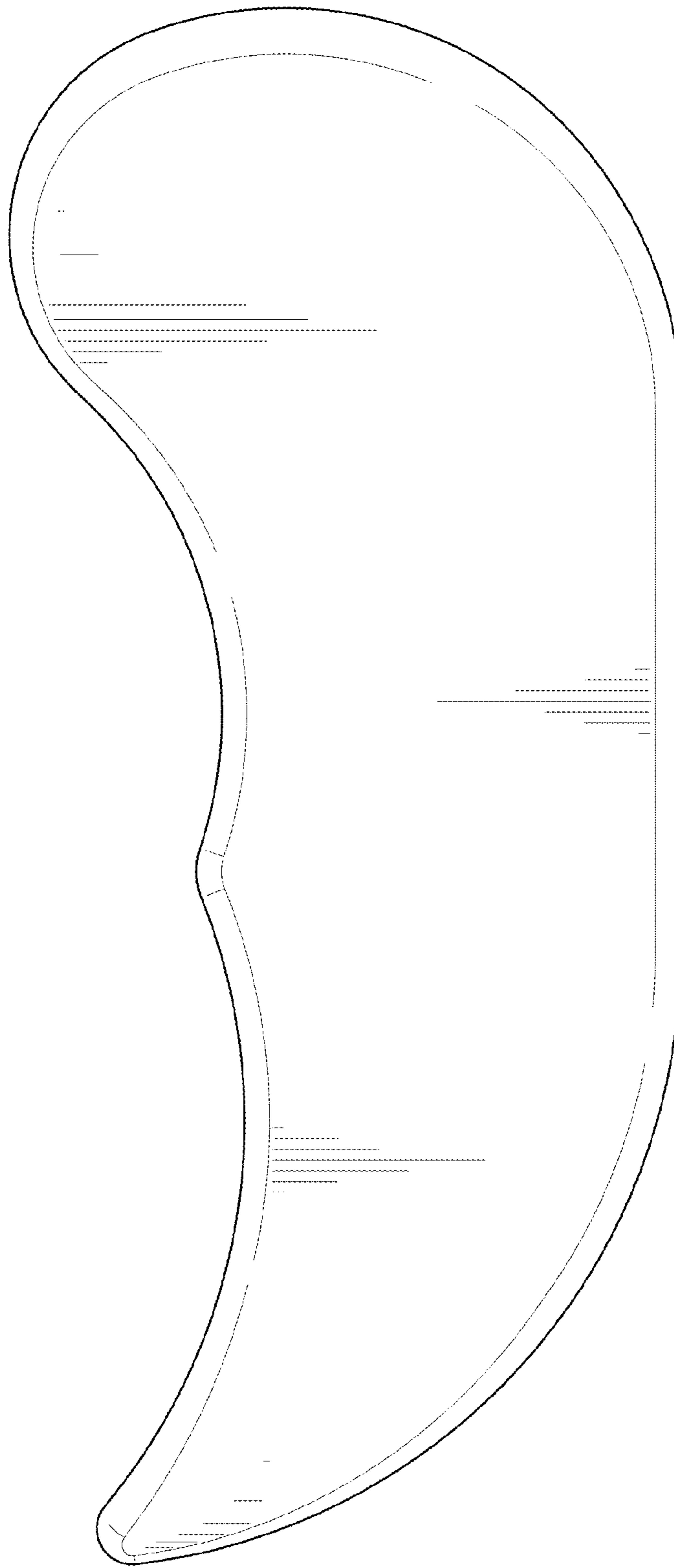


FIG. 6

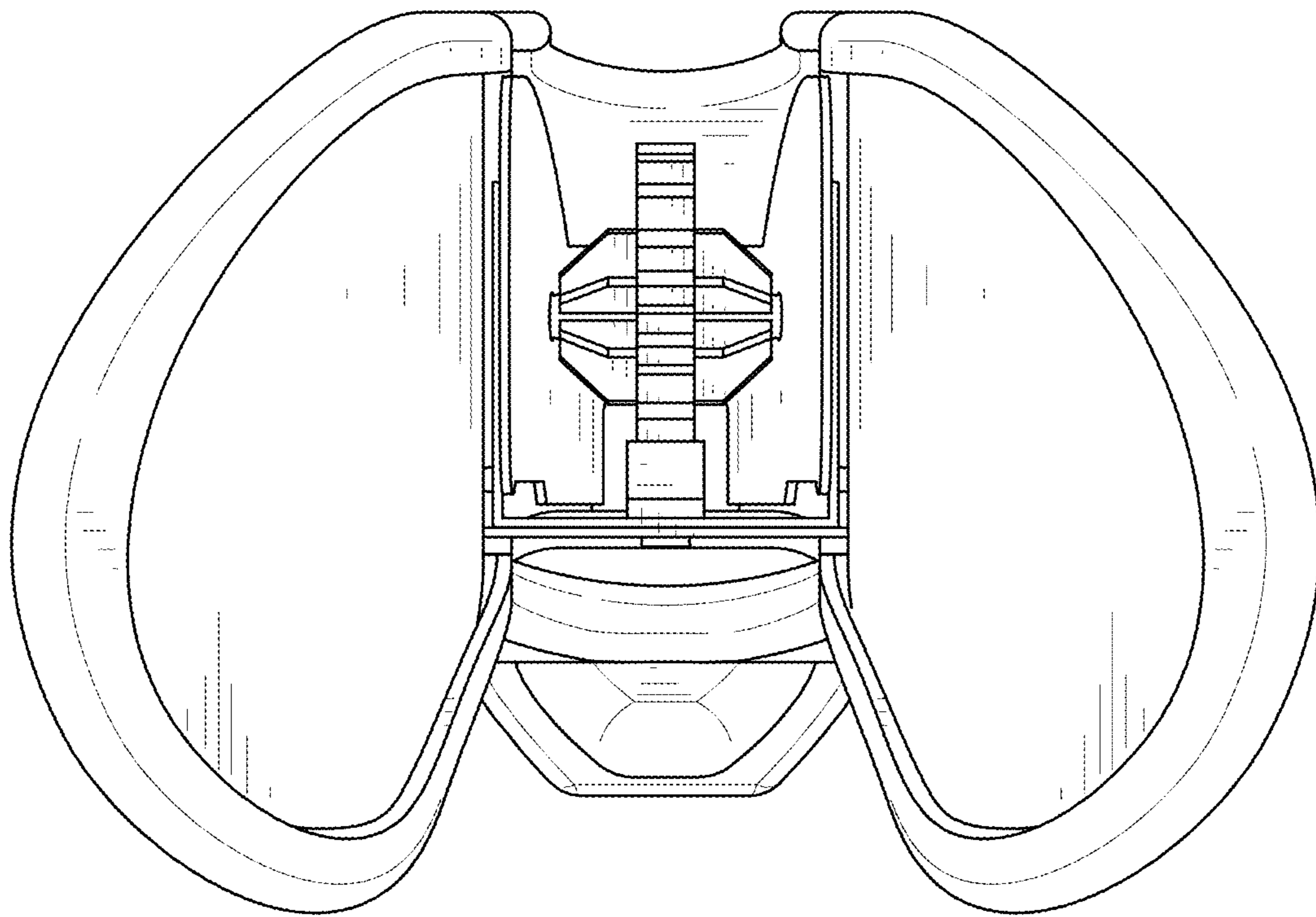


FIG. 7

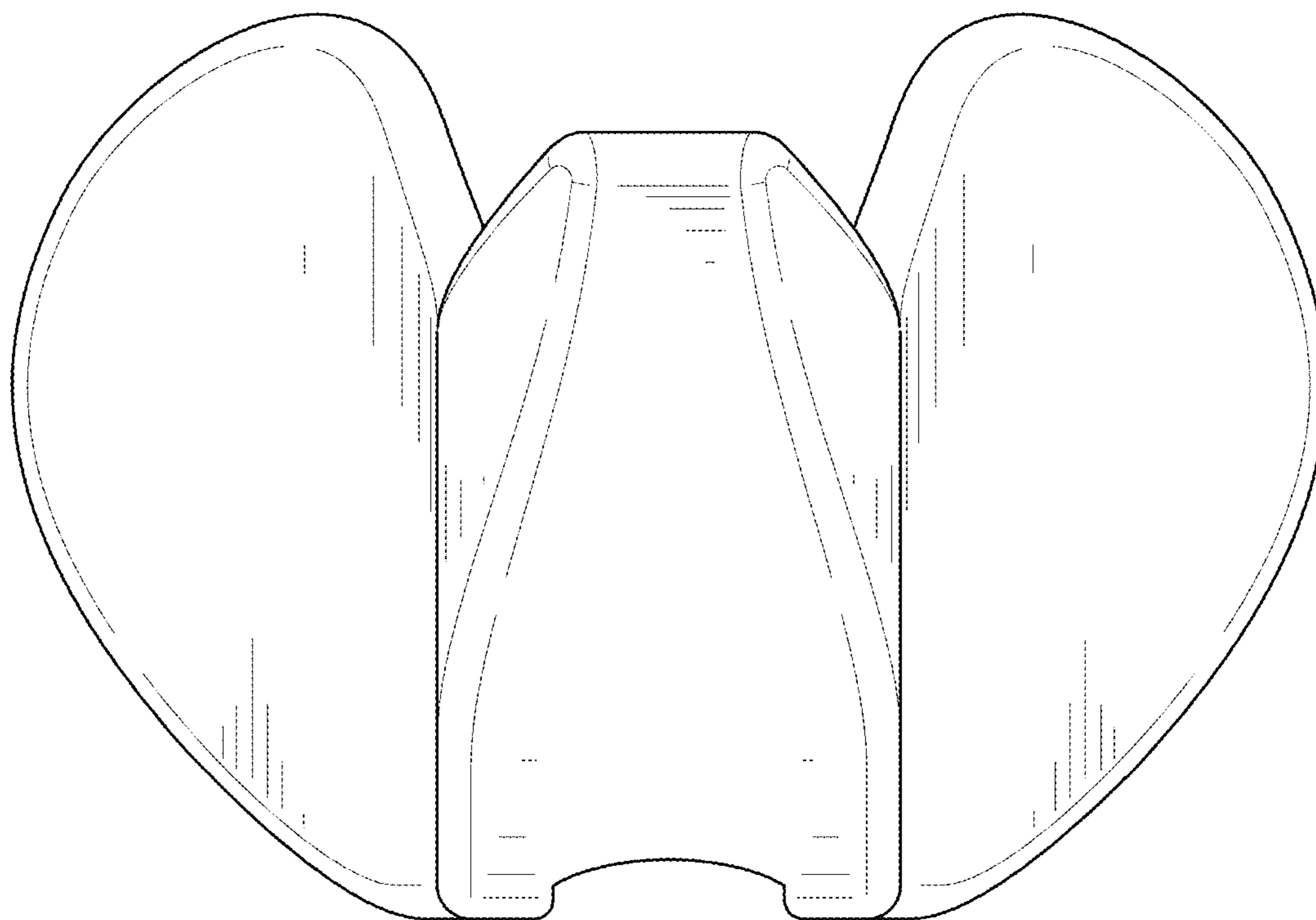


FIG. 8