



US00D896973S

(12) **United States Design Patent** (10) **Patent No.:** **US D896,973 S**
Wight et al. (45) **Date of Patent:** **** Sep. 22, 2020**

(54) **ULTRASOUND PROBE**

(71) Applicant: **KONINKLIJKE PHILIPS N.V.**,
Eindhoven (NL)

(72) Inventors: **Michael J. Wight**, Stoneham, MA
(US); **John Bench Caswell**,
Manchester, MA (US); **Dino Francesco**
Cuscuna, Reading, MA (US); **Kathryn**
Therese Jinks, Salem, MA (US);
Michael Peszynski, Newburyport, MA
(US)

(73) Assignee: **KONINKLIJKE PHILIPS N.V.**,
Eindhoven (NL)

(**) Term: **15 Years**

(21) Appl. No.: **29/689,510**

(22) Filed: **Apr. 30, 2019**

(51) **LOC (12) Cl.** **24-01**

(52) **U.S. Cl.**
USPC **D24/187; D24/186**

(58) **Field of Classification Search**
USPC **D24/137, 138, 158-160, 185-187, 231;**
D10/78

CPC **A61B 8/445; A61B 8/4455; A61B 8/4461**
See application file for complete search history.

(56) **References Cited**

U.S. PATENT DOCUMENTS

D387,867 S * 12/1997 Henderson D24/187
D681,828 S * 5/2013 Shinohara D24/186

9,072,487 B2 * 7/2015 Hebrard G01S 7/52079
D770,629 S * 11/2016 Nieminen D24/187
D831,219 S * 10/2018 Henderson D24/187
D862,710 S * 10/2019 Moon D24/187
2014/0058270 A1 * 2/2014 Davidsen A61B 8/4494
600/472

* cited by examiner

Primary Examiner — Anhdao Doan

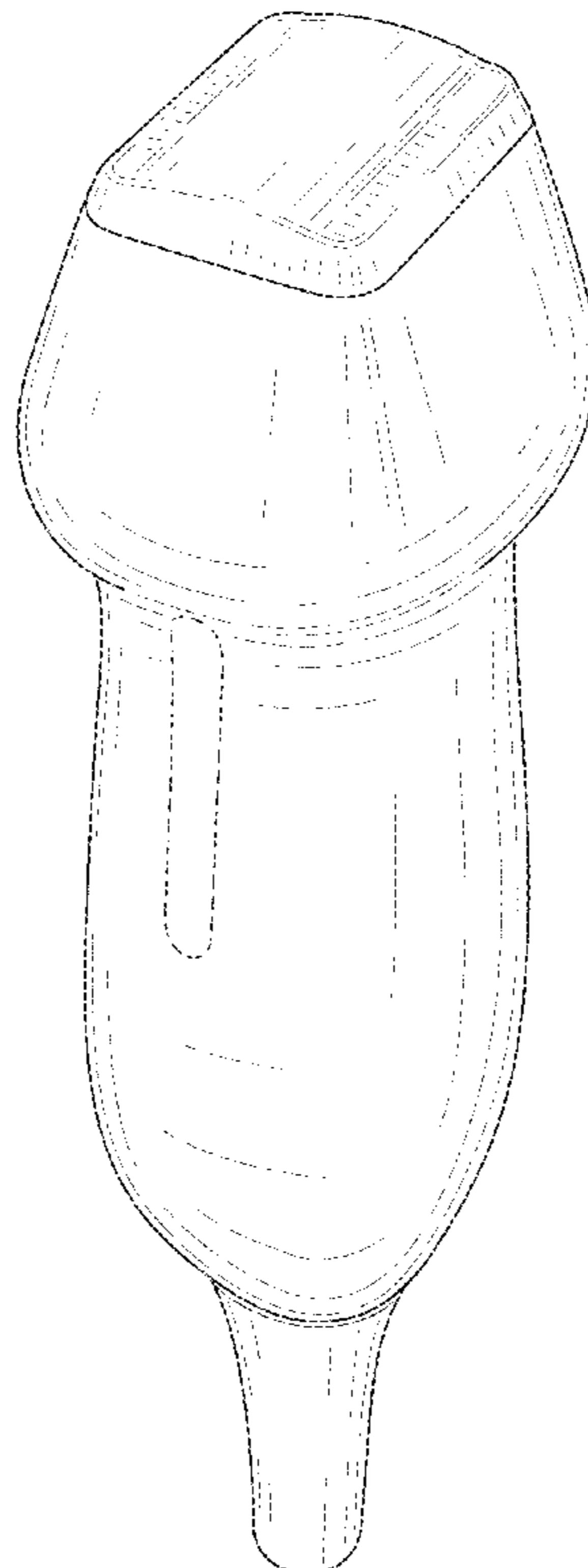
(57) **CLAIM**

The ornamental design for a ultrasound probe, as shown and described.

DESCRIPTION

FIG. 1 is a perspective view showing my design;
FIG. 2 is another perspective view thereof;
FIG. 3 is a front view thereof;
FIG. 4 is a rear view thereof;
FIG. 5 is a right side view thereof;
FIG. 6 is a left side view thereof;
FIG. 7 is a top view thereof, and,
FIG. 8 is a bottom view thereof.
The broken lines depicting a cable and connector assembly
in FIG. 1 represent an environment, and the remaining
broken lines depicting portions of the ultrasound probe that
form no part of the claimed design; the broken lines form no
part of the claimed design.

1 Claim, 7 Drawing Sheets



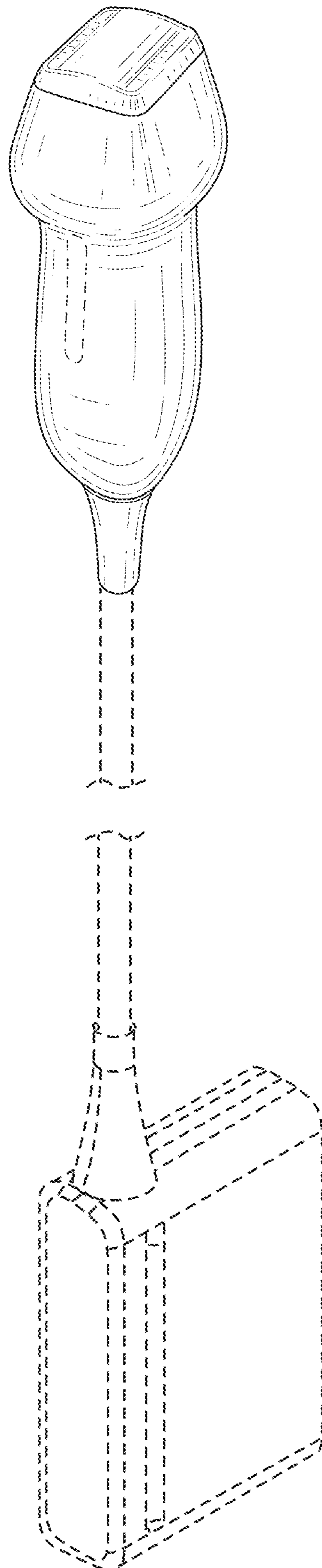


FIG. 1

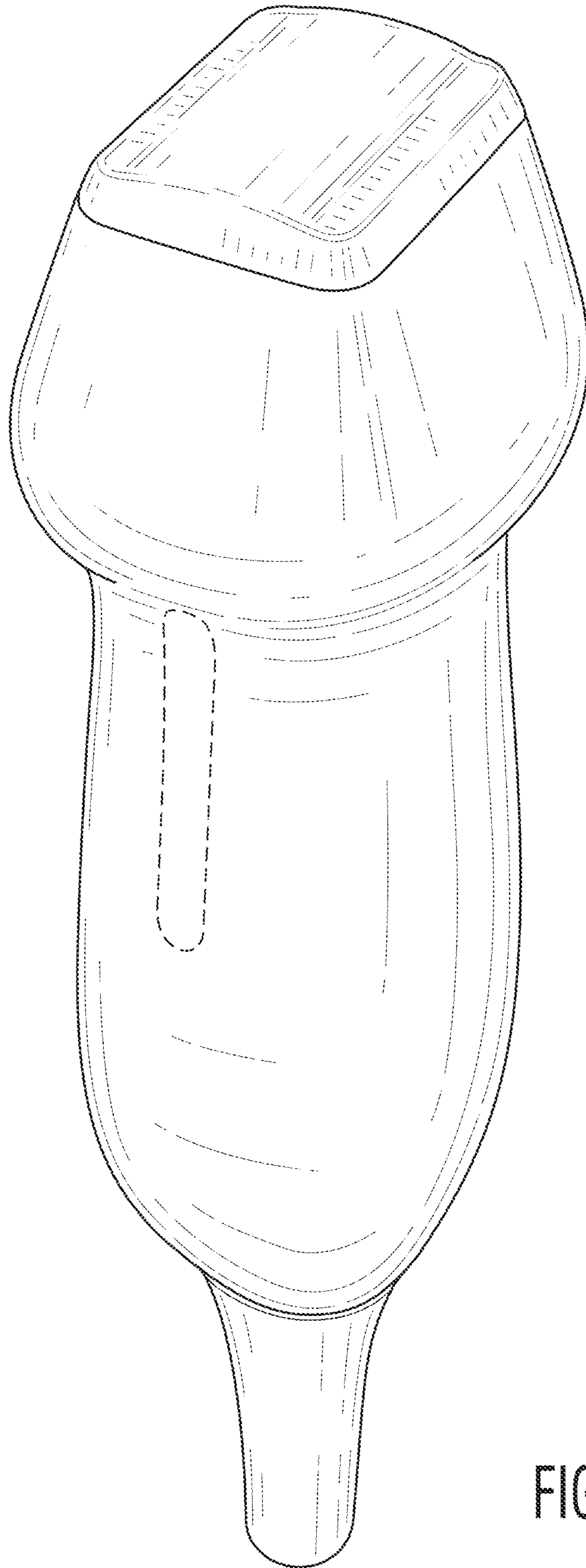


FIG. 2

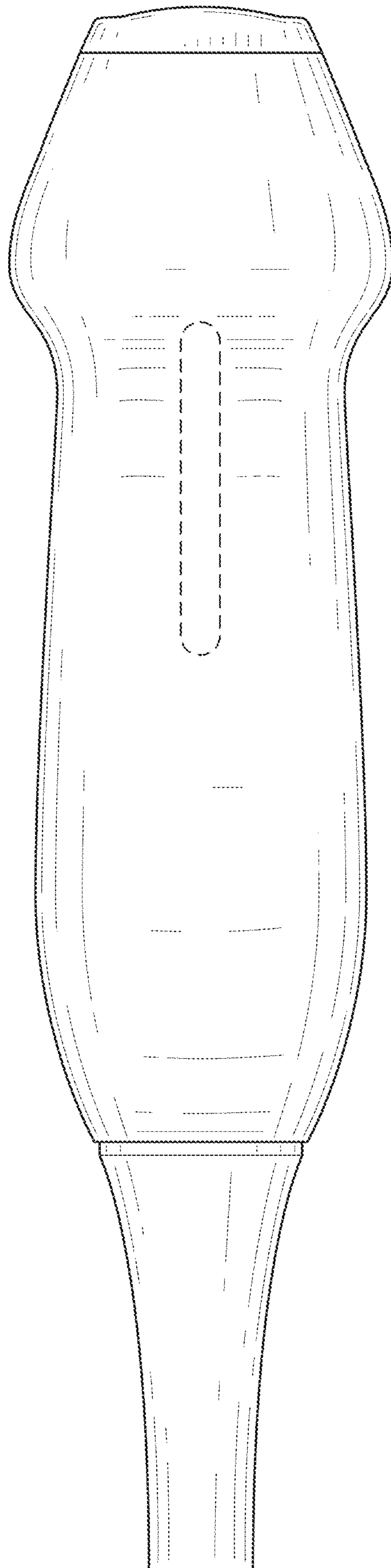


FIG. 3

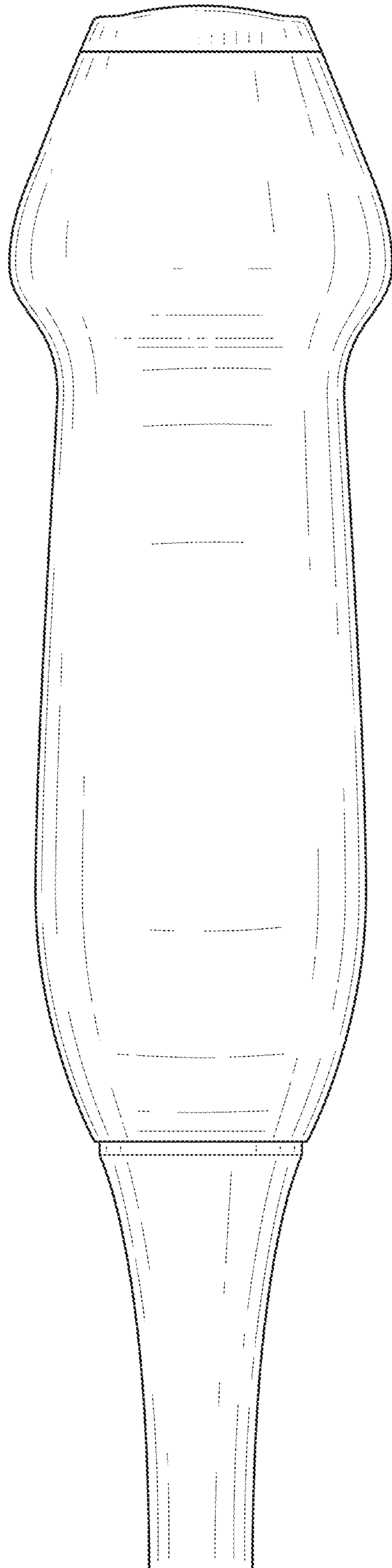


FIG. 4

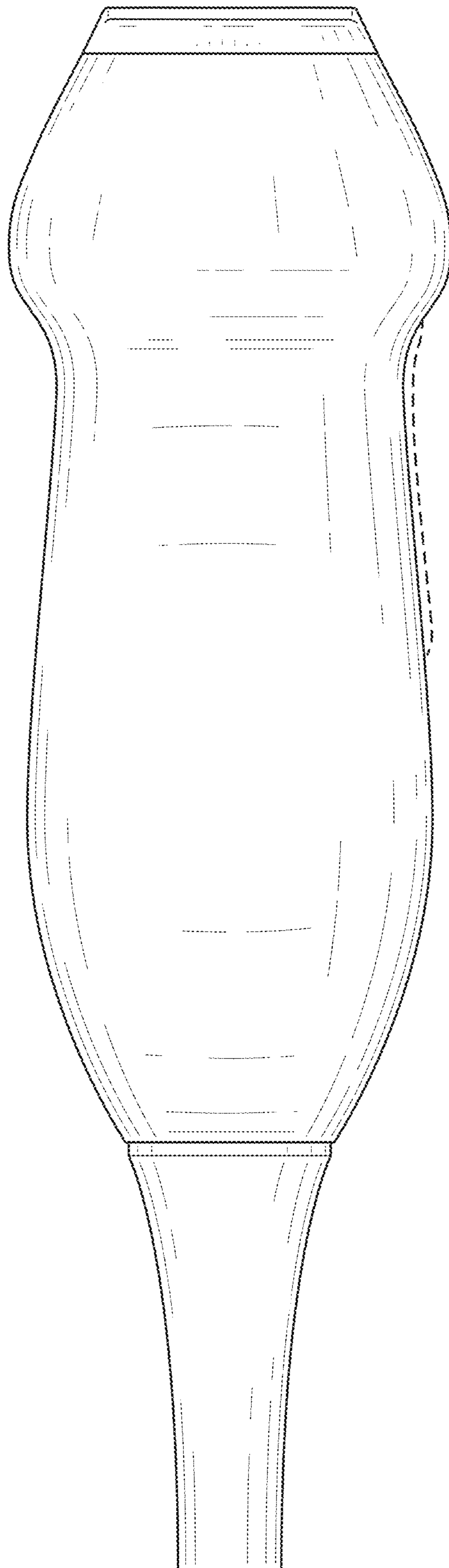


FIG. 5

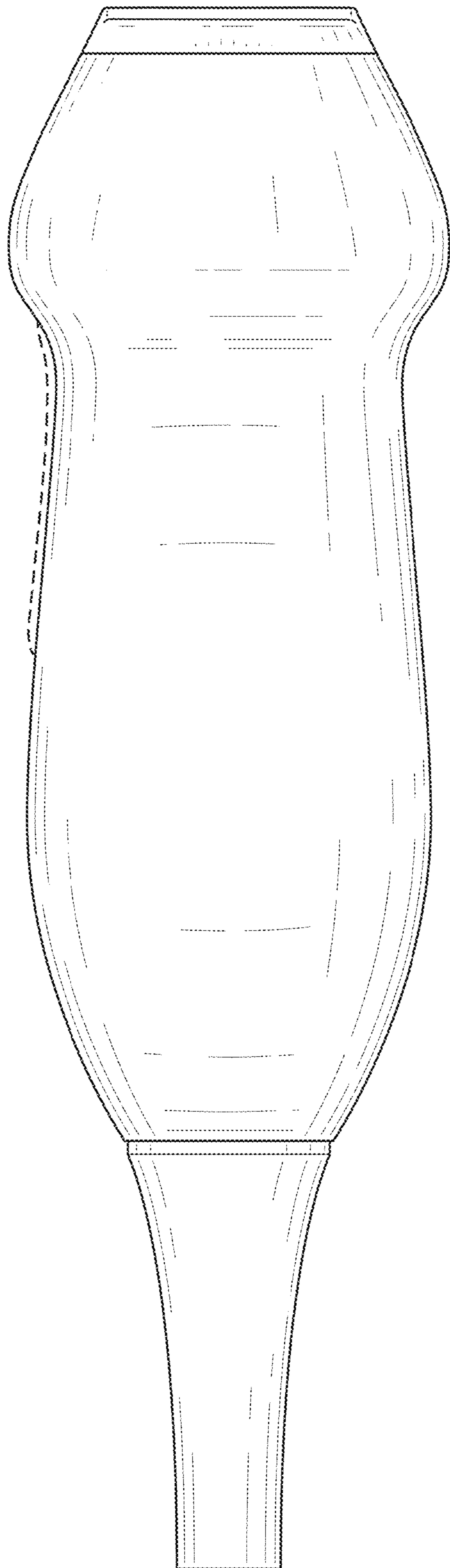


FIG. 6

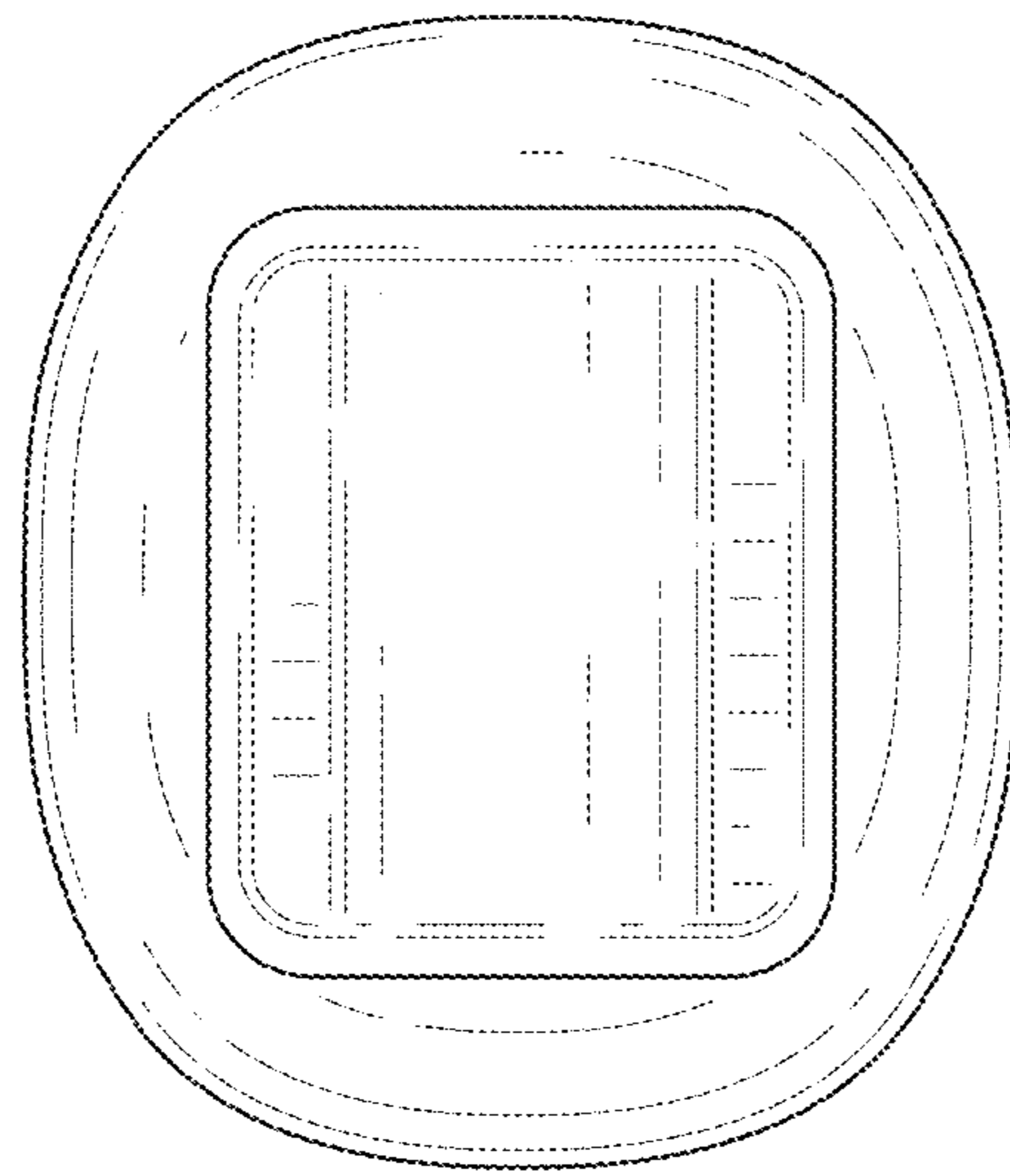


FIG. 7

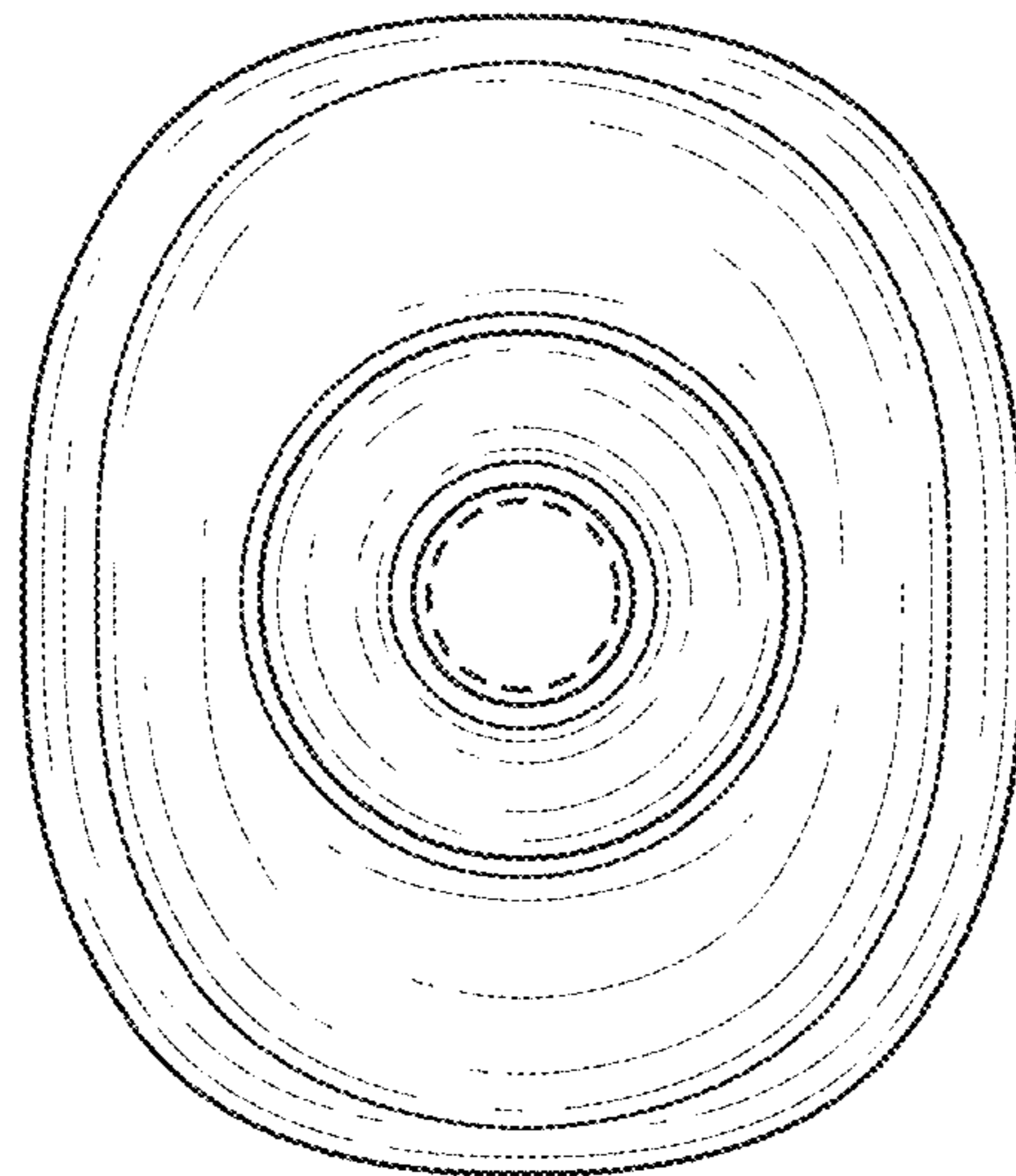


FIG. 8