



US00D896972S

(12) **United States Design Patent** (10) **Patent No.:** **US D896,972 S**
Kealy (45) **Date of Patent:** **** Sep. 22, 2020**

(54) **MEDICAL DEVICE**
(71) Applicant: **BrainWaveBank Limited**, Belfast (GB)
(72) Inventor: **Terence Kealy**, Dublin (IE)
(73) Assignee: **BrainWaveBank Limited** (GB)
(**) Term: **15 Years**
(21) Appl. No.: **29/651,259**
(22) Filed: **Dec. 5, 2018**

(30) **Foreign Application Priority Data**
Jun. 6, 2018 (EM) 005299443-0002
(51) **LOC (12) Cl.** **24-02**
(52) **U.S. Cl.**
USPC **D24/187**
(58) **Field of Classification Search**
USPC D24/129, 168, 186, 187, 107, 110.1,
D24/110.3, 189, 190, 191, 200, 206, 215;
D29/102, 103, 106; D2/865, 866, 867,
D2/878, 880, 881
CPC A61B 5/0006
See application file for complete search history.

(56) **References Cited**
U.S. PATENT DOCUMENTS
D565,735 S * 4/2008 Washbon D24/187
D685,903 S * 7/2013 White-Spratlin D24/110.1
D747,495 S * 1/2016 Attal D24/186
D759,803 S * 6/2016 Wagner D24/107
D776,286 S * 1/2017 Min D24/187
D797,296 S * 9/2017 Dehollander D24/187
D811,613 S * 2/2018 Marton D24/190
D824,523 S * 7/2018 Paoli D24/186
D825,064 S * 8/2018 Wong D24/190
D835,287 S * 12/2018 Maletic D24/187
D837,971 S * 1/2019 Prentice D24/110.1
D849,930 S * 5/2019 Walls D24/110.1

D853,574 S * 7/2019 Pribila D24/200
D859,665 S * 9/2019 Soulet de Brugiere D24/187
D861,882 S * 10/2019 Abreu D24/186
2016/0354005 A1 * 12/2016 Oakley A61B 5/0478
2018/0368717 A1 * 12/2018 Soulet De Brugiere
A61B 5/6803

FOREIGN PATENT DOCUMENTS

GB 4042004 * 7/2015

OTHER PUBLICATIONS

Belfast firm BrainWaveBank builds 'Fitbit for the brain.' Online, published date Oct. 26, 2017. Retrieved on Oct. 8, 2019 from URL: <https://www.irishtimes.com/business/technology/belfast-firm-brainwavebank-builds-fitbit-for-the-brain-1.3268544>.
EEG headset for emotion detection. Online, published date Jan. 9, 2018. Retrieved on Oct. 8, 2019 from URL: <https://phys.org/news/2018-01-eeg-headset-emotion.html>.

* cited by examiner

Primary Examiner — Susan Bennett Hattan
Assistant Examiner — Omeed Agilee
(74) *Attorney, Agent, or Firm* — Laubscher & Laubscher, P.C.

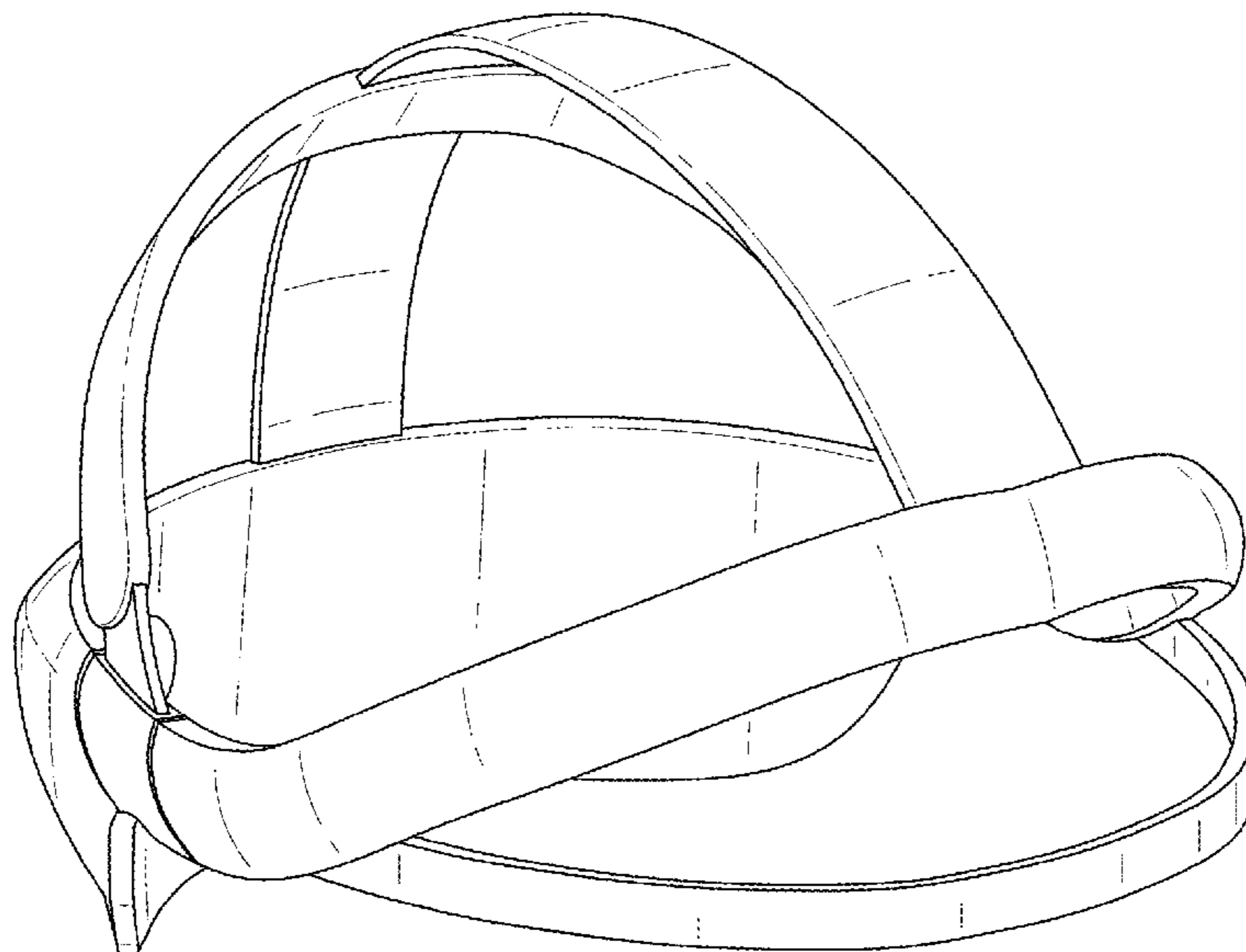
(57) **CLAIM**

The ornamental design for a medical device, as shown.

DESCRIPTION

FIG. 1 is a top perspective view of a medical device according to my invention;
FIG. 2 is a bottom perspective view thereof;
FIG. 3 is a front elevation view thereof;
FIG. 4 is a rear elevation view thereof;
FIG. 5 is a top plan view thereof;
FIG. 6 is a bottom plan view thereof; and,
FIG. 7 is a left side elevation view thereof.

1 Claim, 7 Drawing Sheets



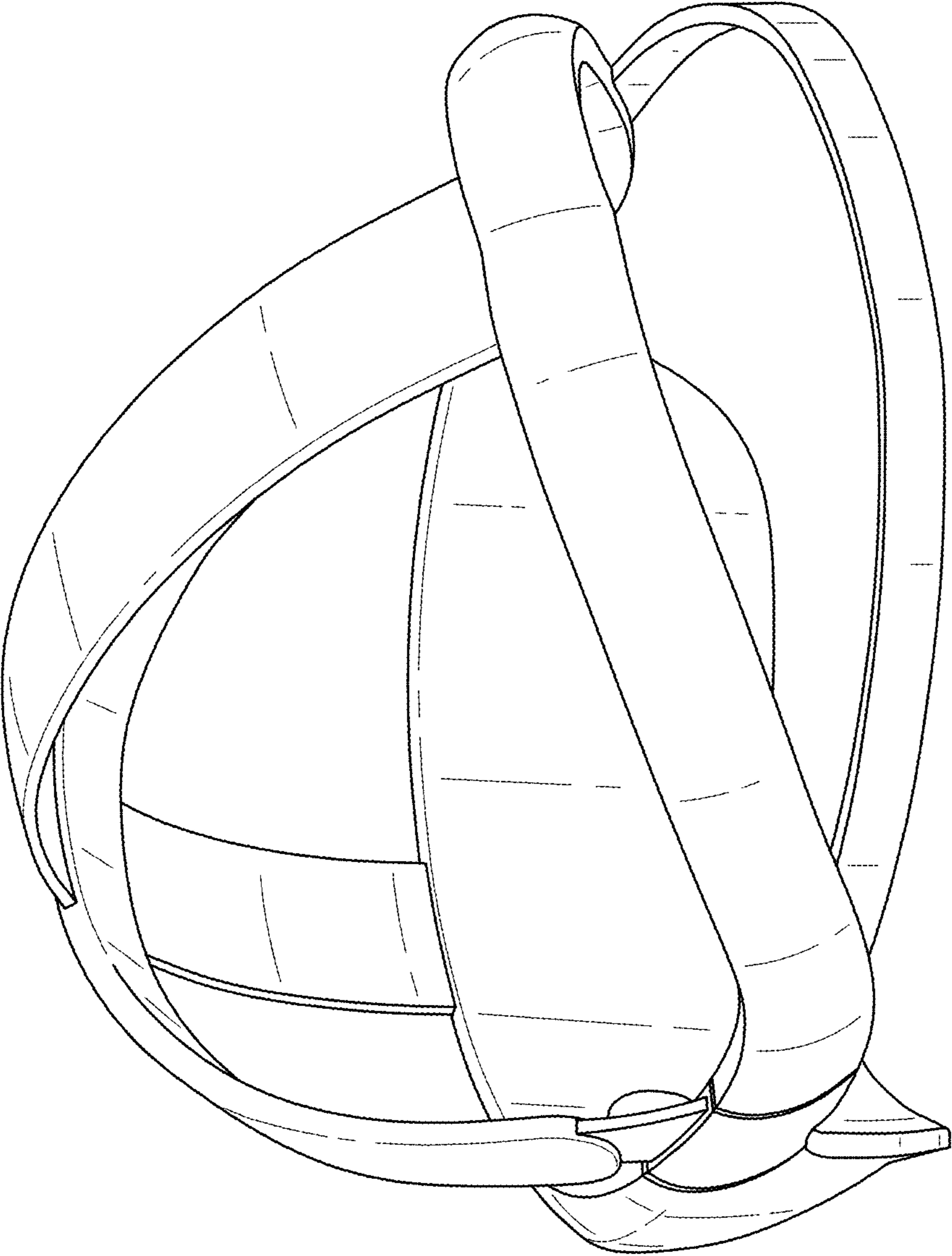


FIG. 1

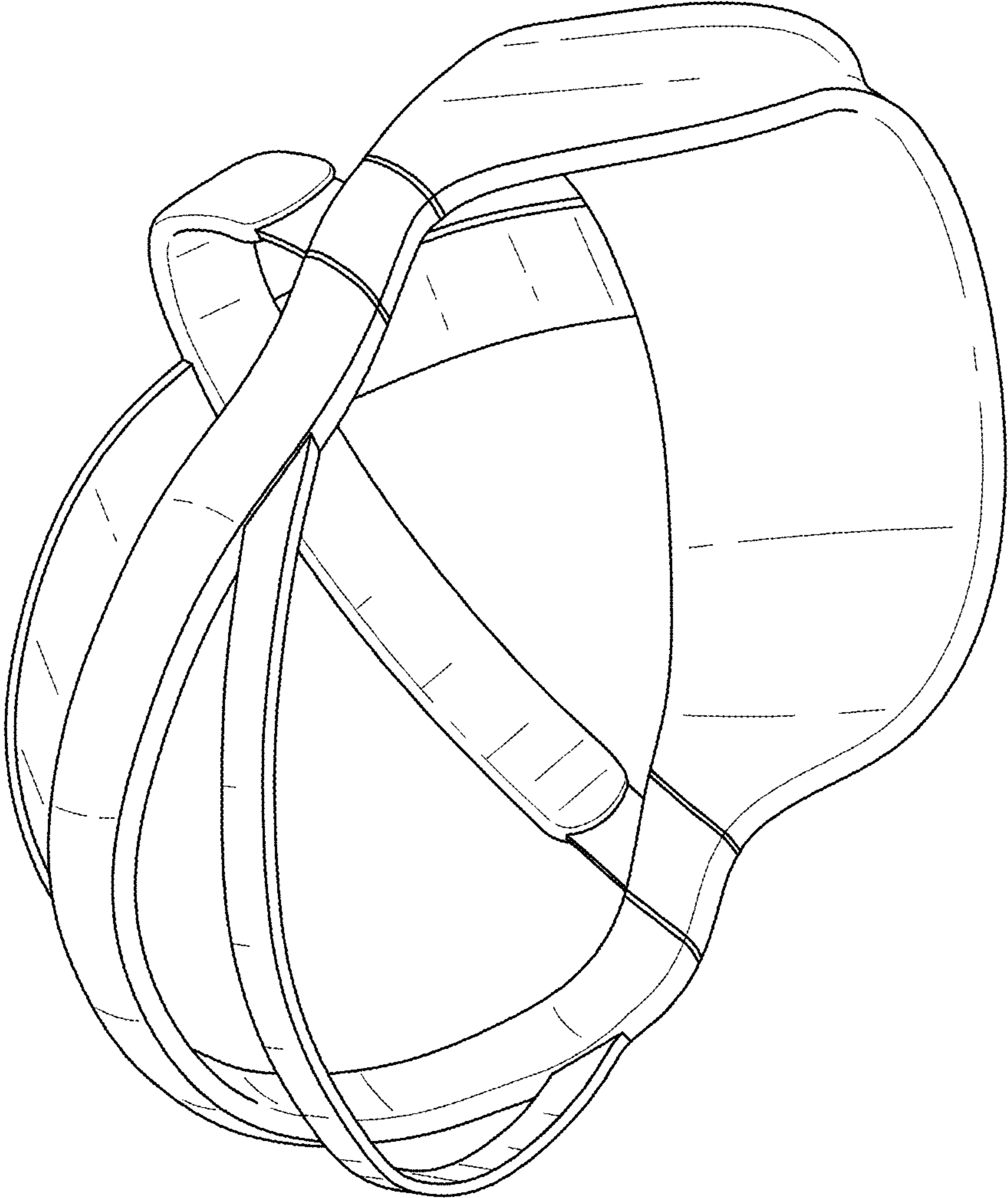


FIG. 2

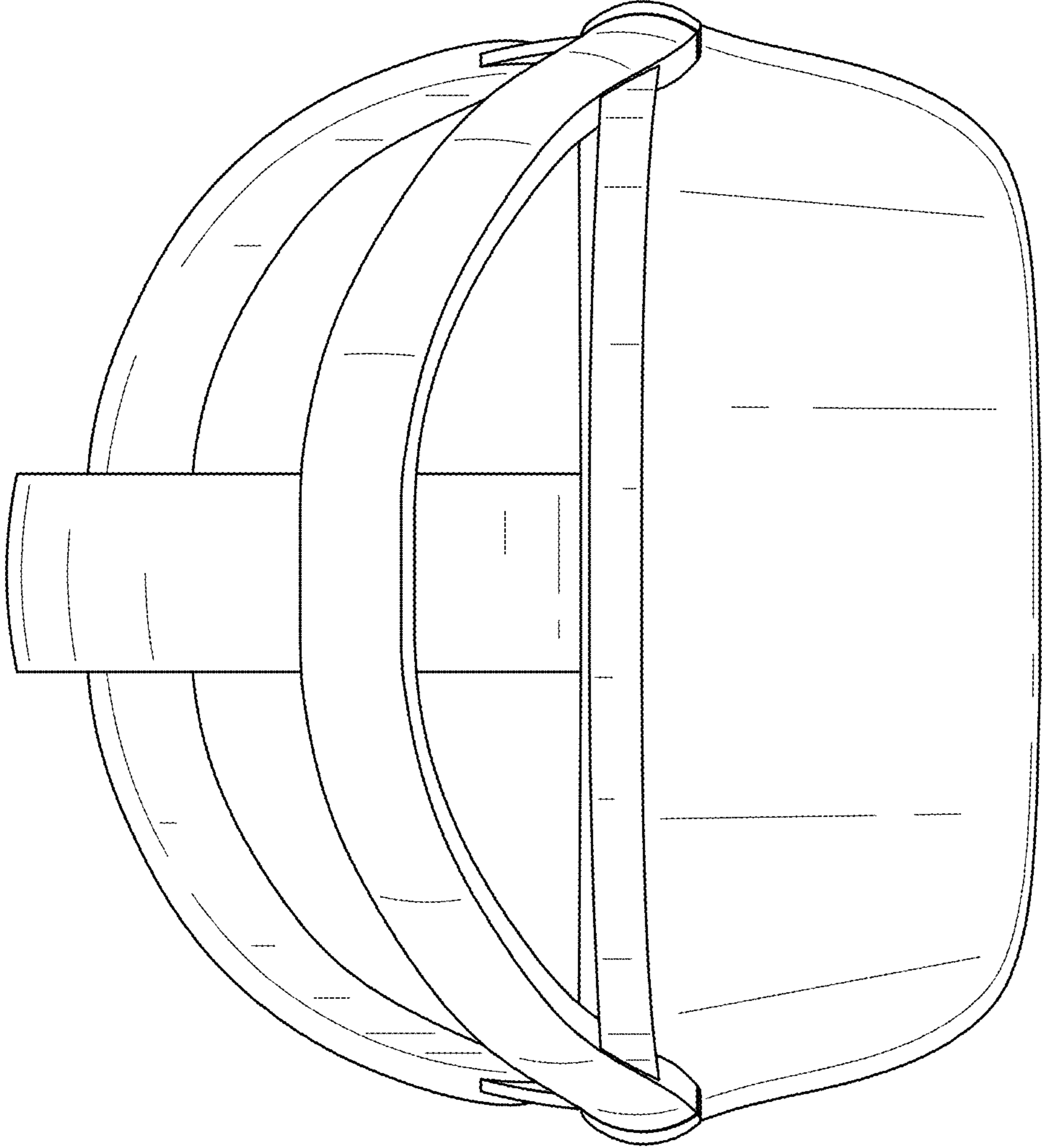


FIG. 3

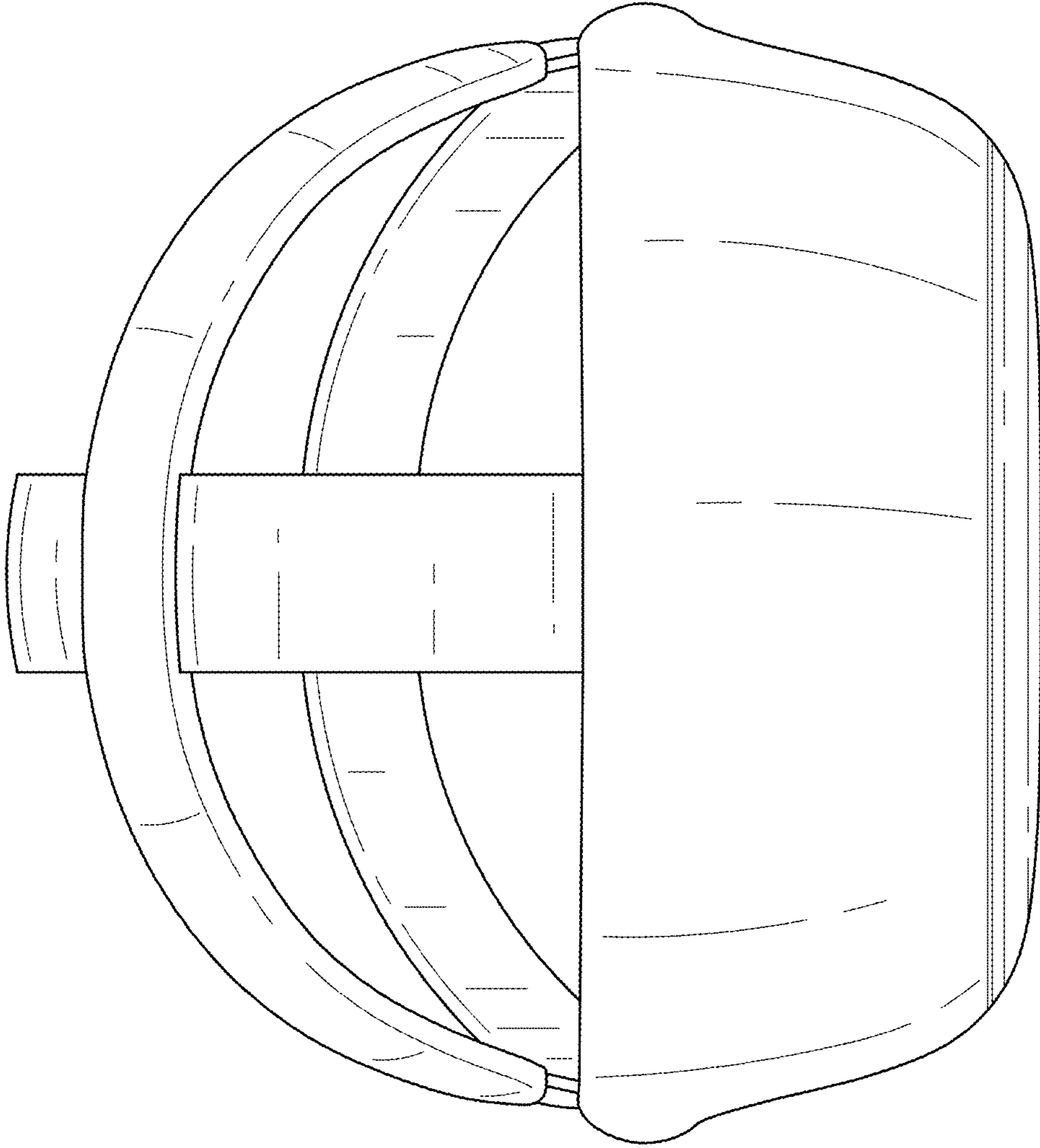


FIG. 4

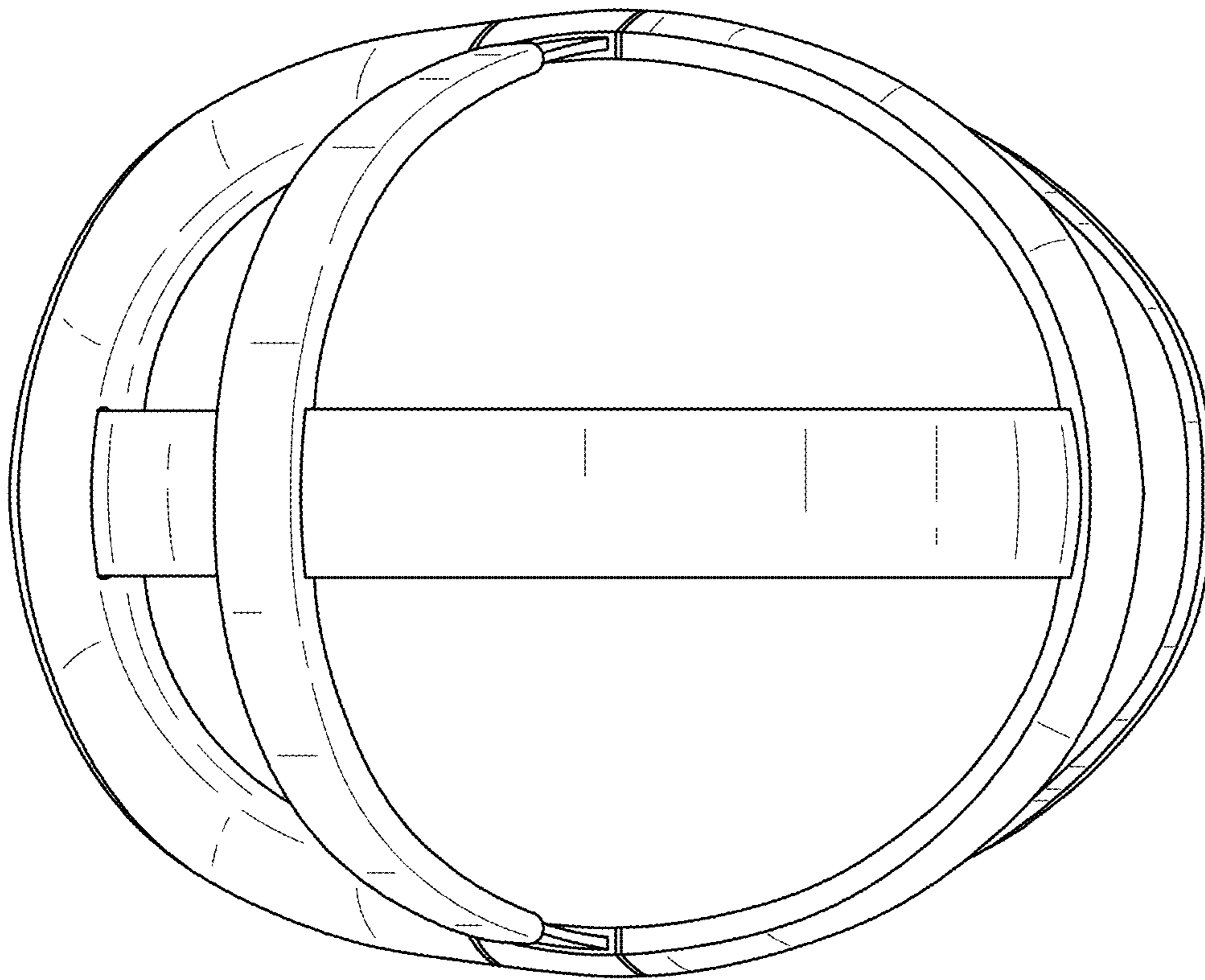


FIG. 5

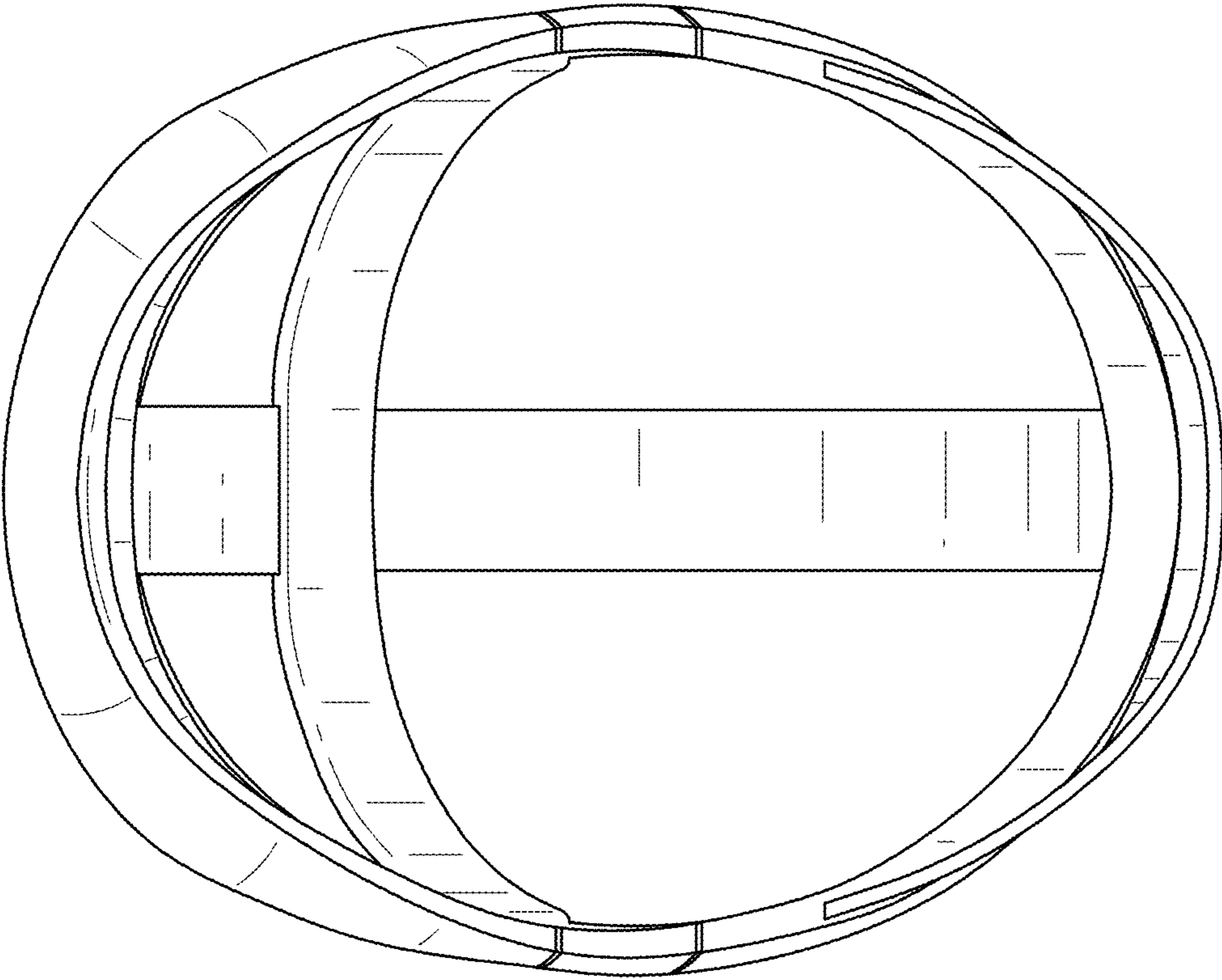


FIG. 6

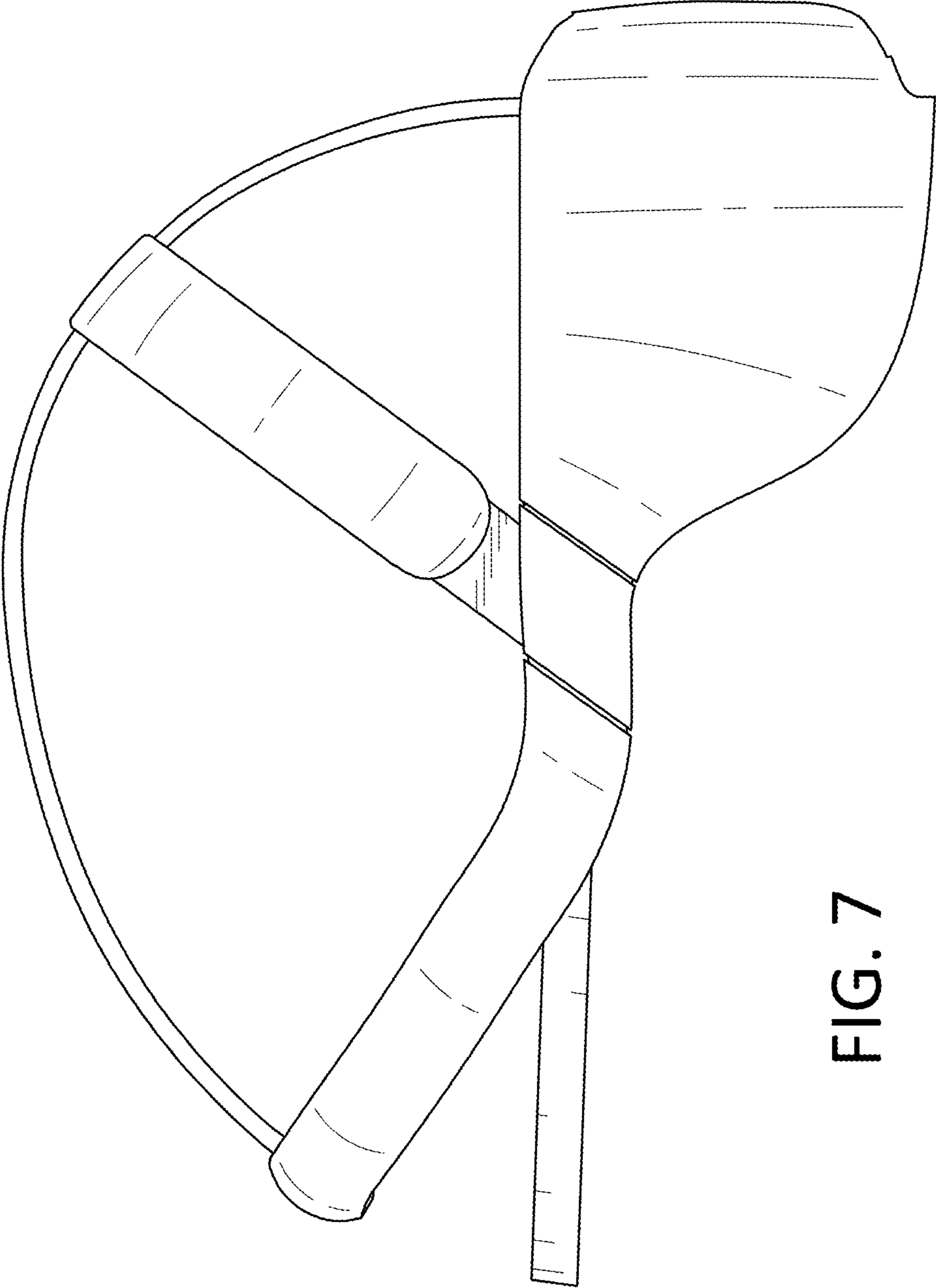


FIG. 7