



US00D896971S

(12) **United States Design Patent** (10) **Patent No.:** **US D896,971 S**  
**Held et al.** (45) **Date of Patent:** **\*\* Sep. 22, 2020**

(54) **MEDICAL DEVICE**  
(71) Applicant: **Bruin Biometrics, LLC**, Los Angeles, CA (US)  
(72) Inventors: **Ryan D. Held**, Oceanside, CA (US); **Martin F. Burns**, Los Angeles, CA (US)  
(73) Assignee: **Bruin Biometrics, LLC**, Los Angeles, CA (US)  
(\*\*) Term: **15 Years**  
(21) Appl. No.: **29/662,454**  
(22) Filed: **Sep. 5, 2018**  
(51) **LOC (12) Cl.** ..... **24-01**  
(52) **U.S. Cl.**  
USPC ..... **D24/186**  
(58) **Field of Classification Search**  
USPC ..... D24/137, 146, 152, 158, 160, 176, 186, D24/187, 200, 209-215  
CPC ..... A61B 5/0537; A61B 5/0531; A61B 5/445; A61B 5/447; A61B 5/4875; A61B 5/6801; A61B 5/7278; A61B 5/741; A61B 5/746; A61B 5/6843; A61B 2560/0468; A61B 2562/046  
See application file for complete search history.

D850,626 S \* 6/2019 Gardner ..... D24/186  
D857,911 S \* 8/2019 Huang ..... D24/215  
D863,574 S \* 10/2019 Yan ..... D24/200

**FOREIGN PATENT DOCUMENTS**

JP D1154585 \* 9/2002

**OTHER PUBLICATIONS**

Design U.S. Appl. No. 29/662,461, filed Sep. 5, 2018.  
Design U.S. Appl. No. 29/677,160, filed Jan. 17, 2019.  
Design U.S. Appl. No. 29/677,186, filed Jan. 17, 2019.  
Design U.S. Appl. No. 29/679,908, filed Feb. 11, 2019.

\* cited by examiner

*Primary Examiner* — Lilyana Bekic  
*Assistant Examiner* — Mary Shannon Malley  
(74) *Attorney, Agent, or Firm* — Arnold & Porter Kaye Scholer LLP

(57) **CLAIM**

The ornamental design for a medical device, as shown and described.

**DESCRIPTION**

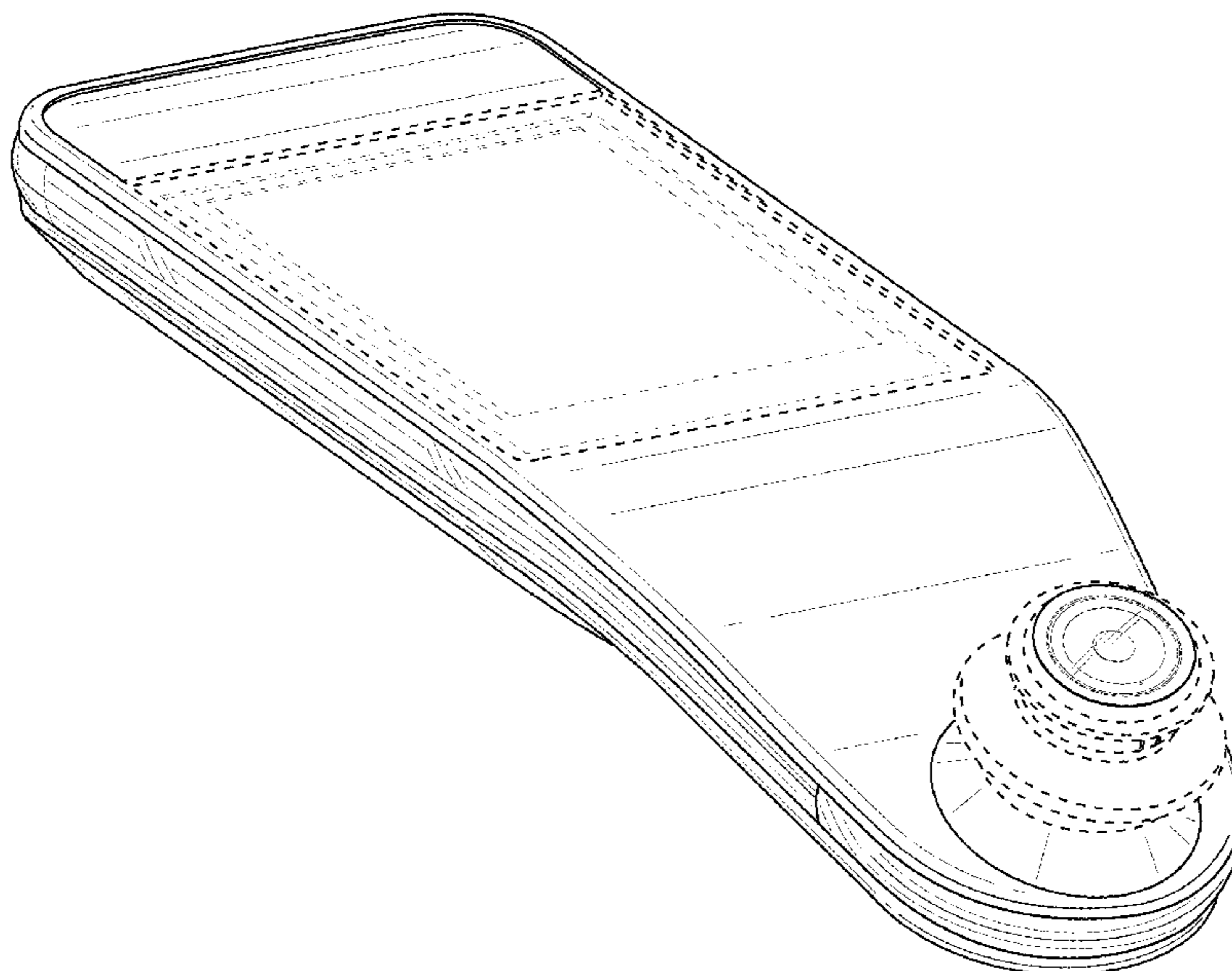
FIG. 1 is a first perspective view of a medical device.  
FIG. 2 is a second perspective view of the medical device of FIG. 1.  
FIG. 3 is a front view of the medical device of FIG. 1.  
FIG. 4 is a rear view of the medical device of FIG. 1.  
FIG. 5 is a left-hand-side view of the medical device of FIG. 1.  
FIG. 6 is a right-hand-side view of the medical device of FIG. 1.  
FIG. 7 is a bottom view of the medical device of FIG. 1; and, FIG. 8 is a top view of the medical device of FIG. 1.  
The broken lines depict portions of the medical device that form no part of the claim.

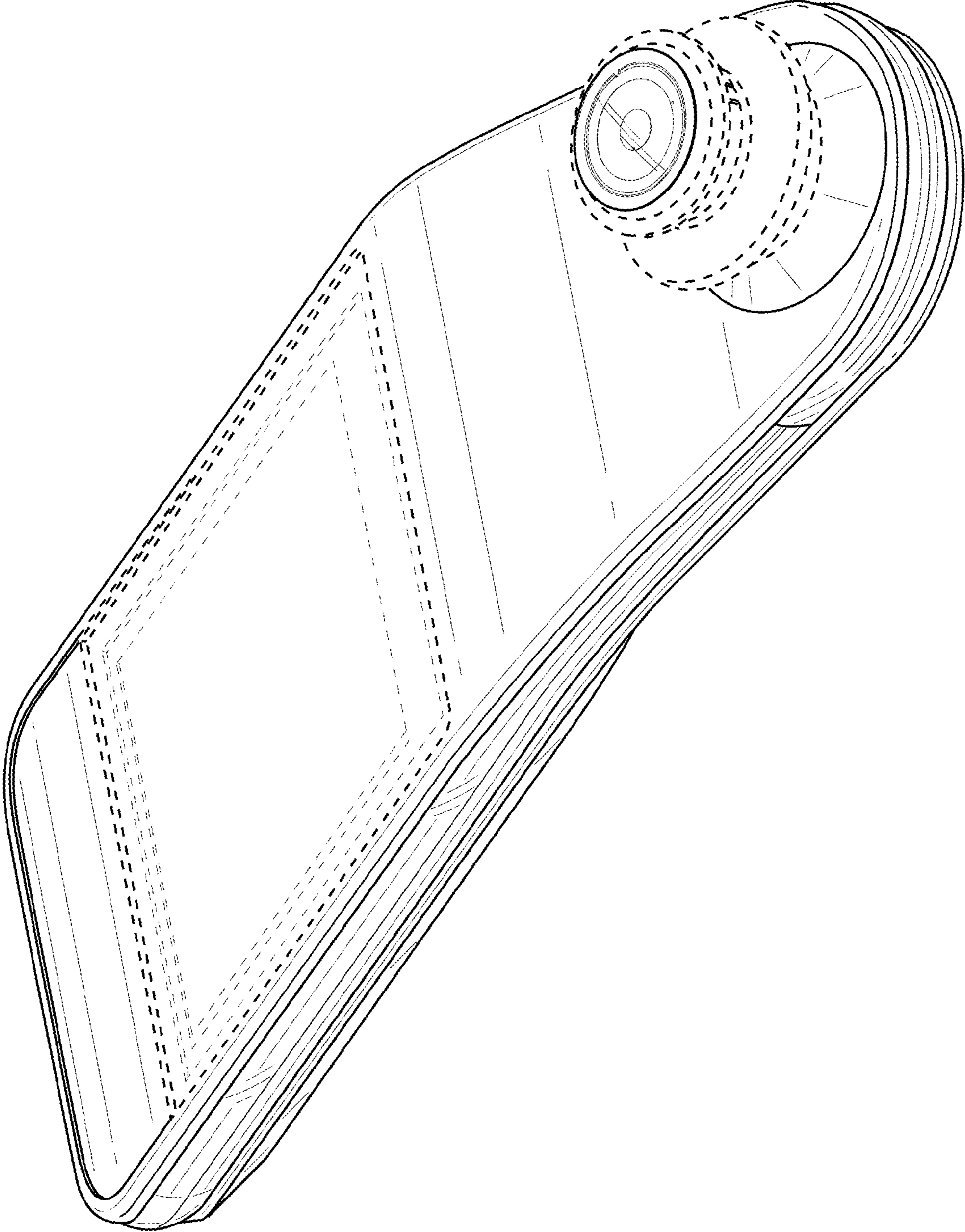
**1 Claim, 7 Drawing Sheets**

(56) **References Cited**

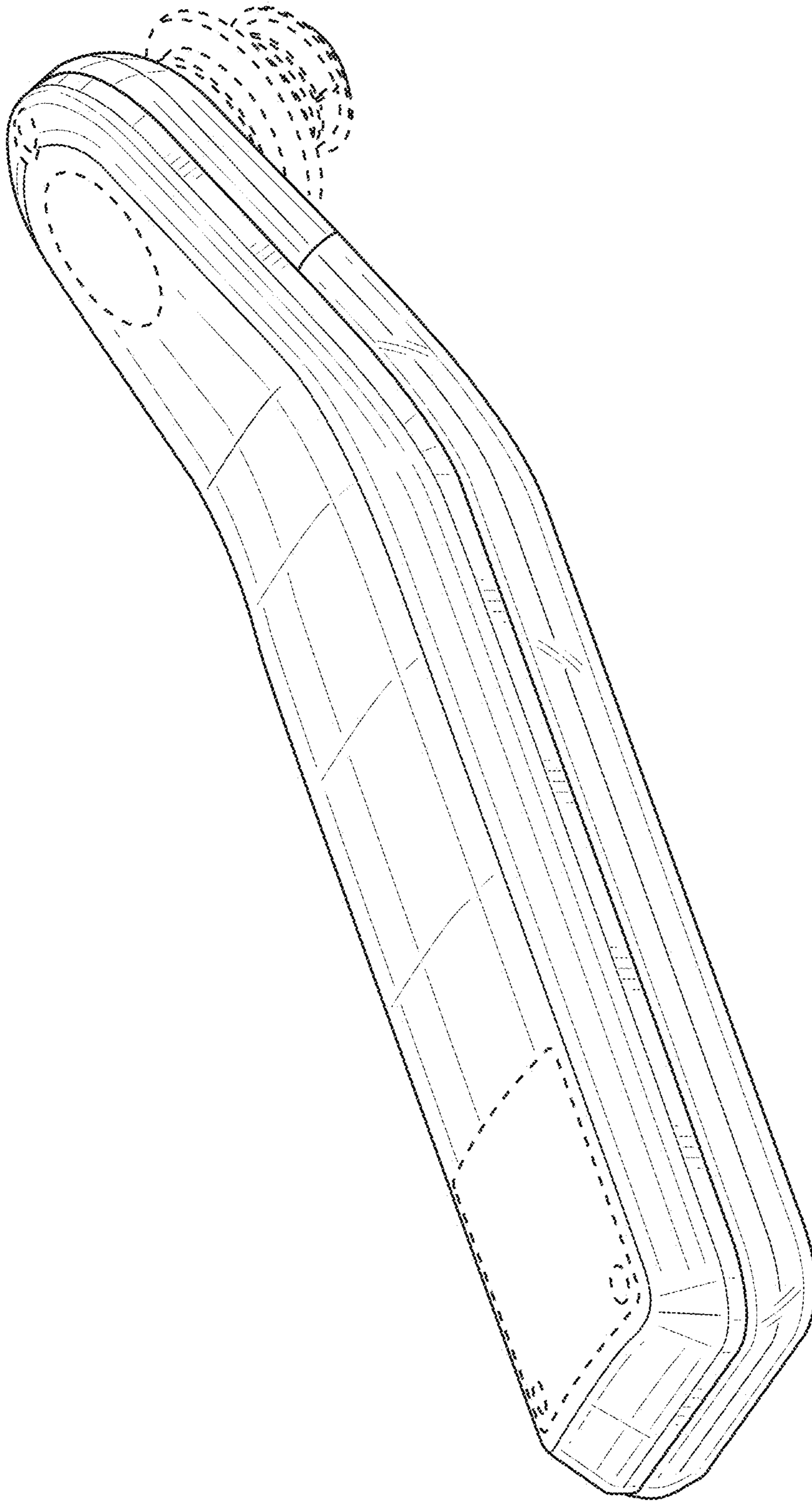
**U.S. PATENT DOCUMENTS**

D356,641 S \* 3/1995 Stewart ..... D24/176  
D659,840 S \* 5/2012 Cheng ..... D24/137  
D673,681 S \* 1/2013 Boudier ..... D24/158  
D742,518 S \* 11/2015 Barak ..... D24/158  
D789,545 S \* 6/2017 Pippel ..... D24/186  
9,763,596 B2 \* 9/2017 Tonar ..... A61B 5/445  
D834,713 S \* 11/2018 Myers ..... D24/137



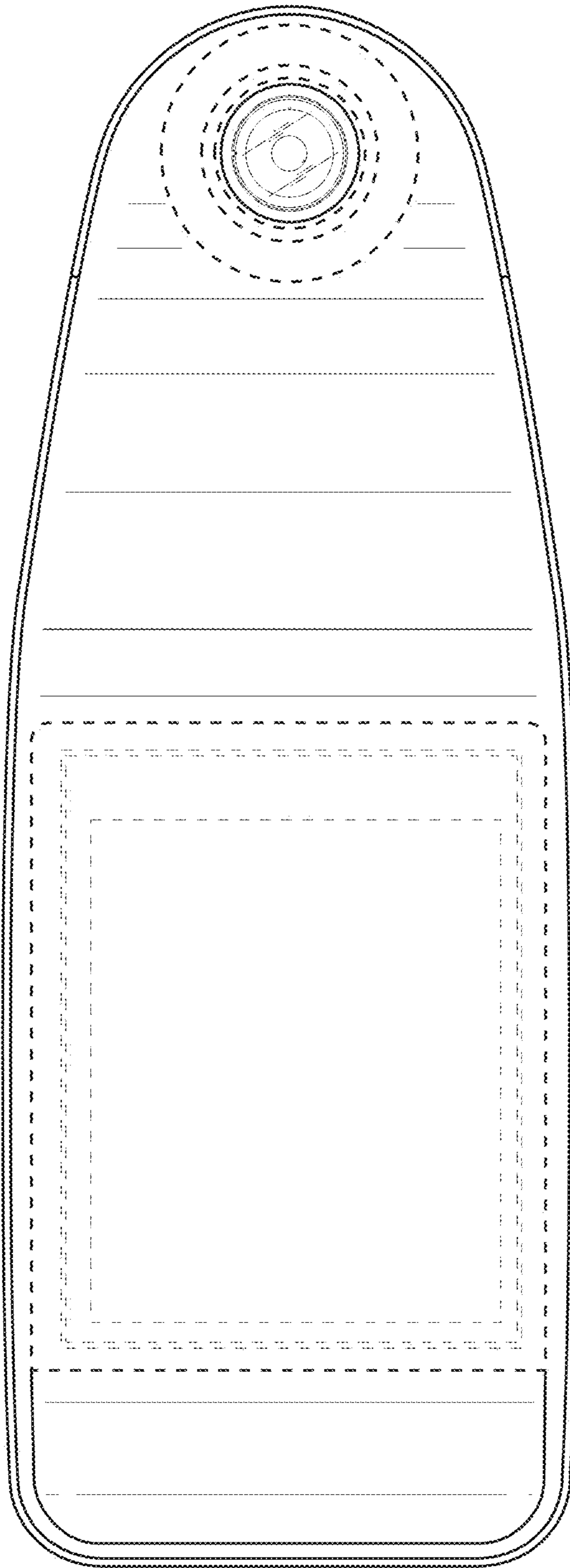


**FIG. 1**

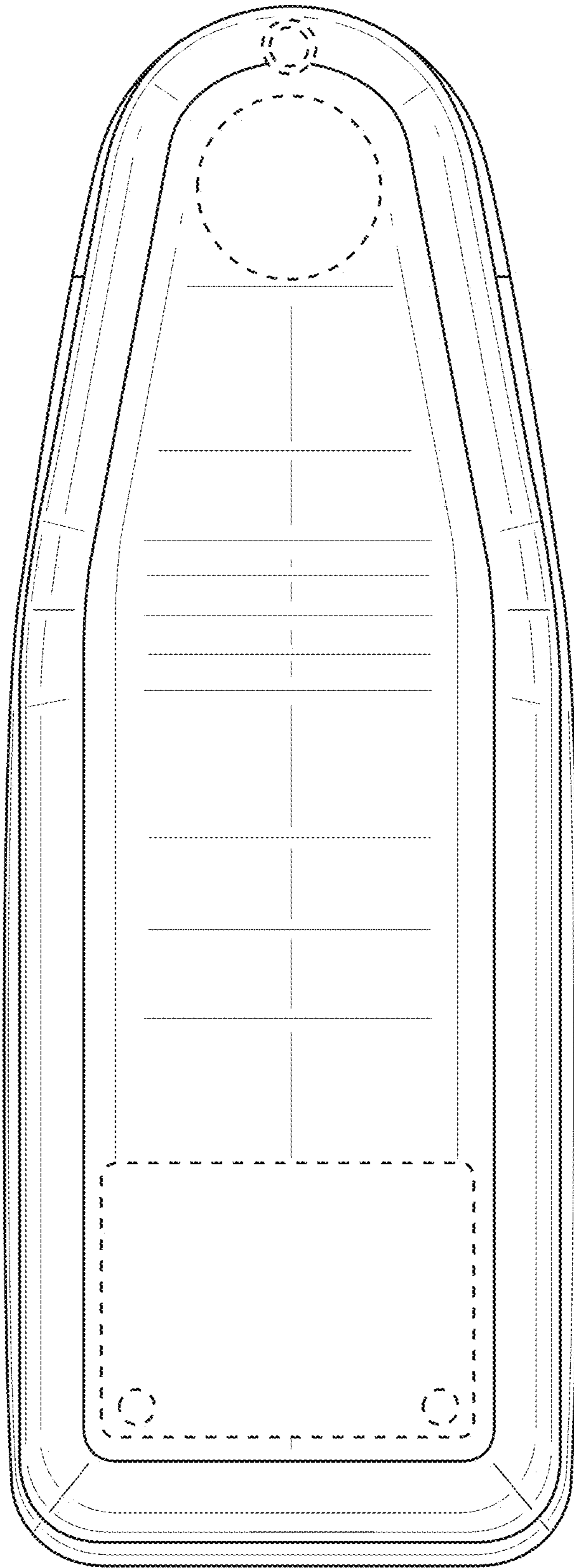


**FIG. 2**

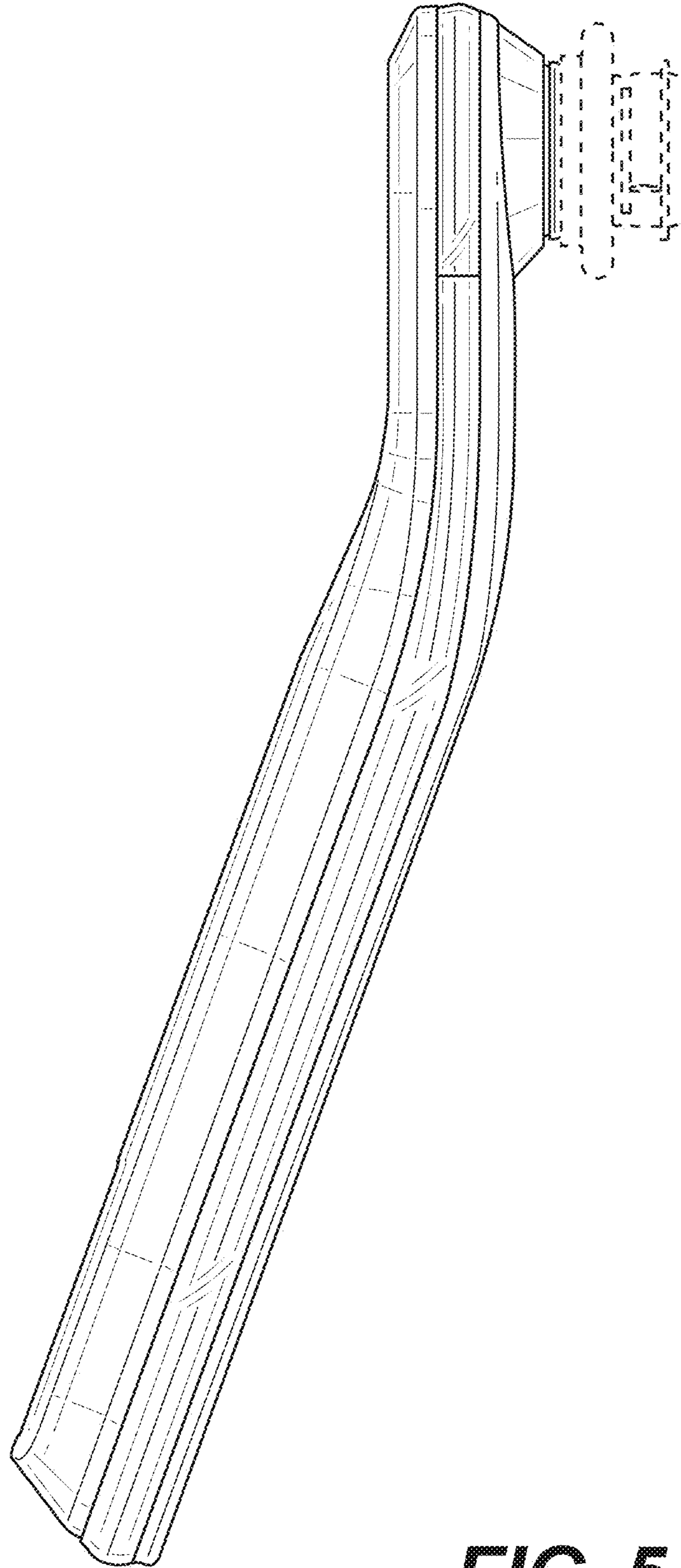




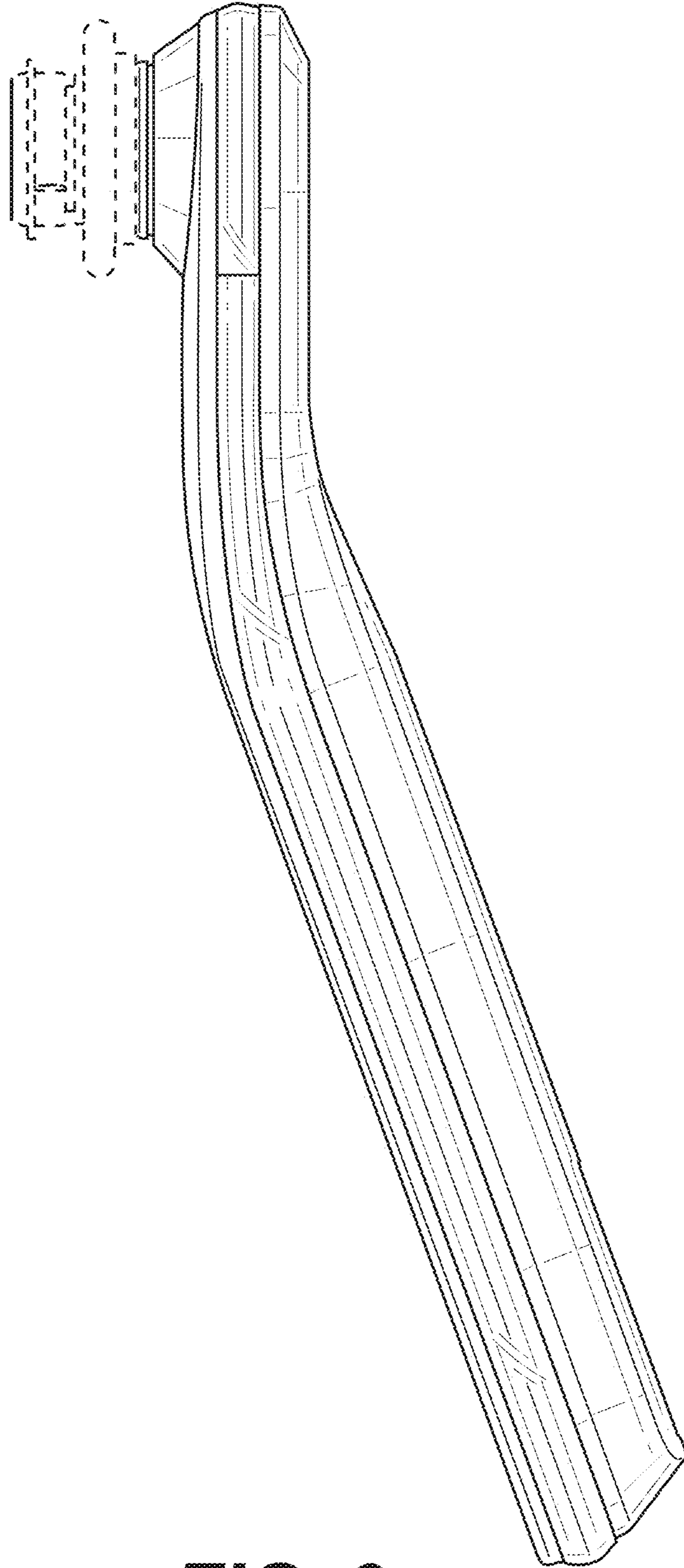
**FIG. 3**



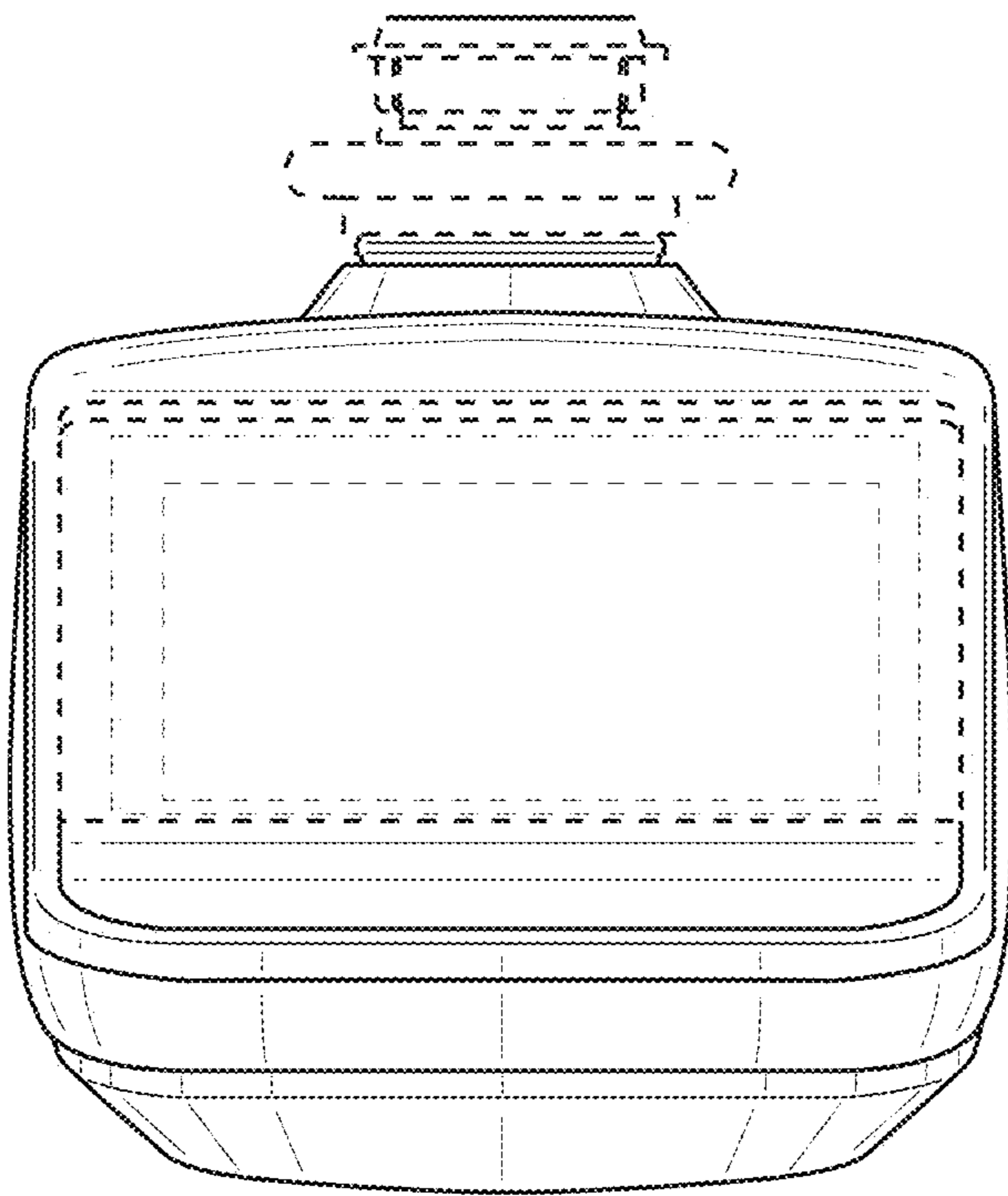
**FIG. 4**



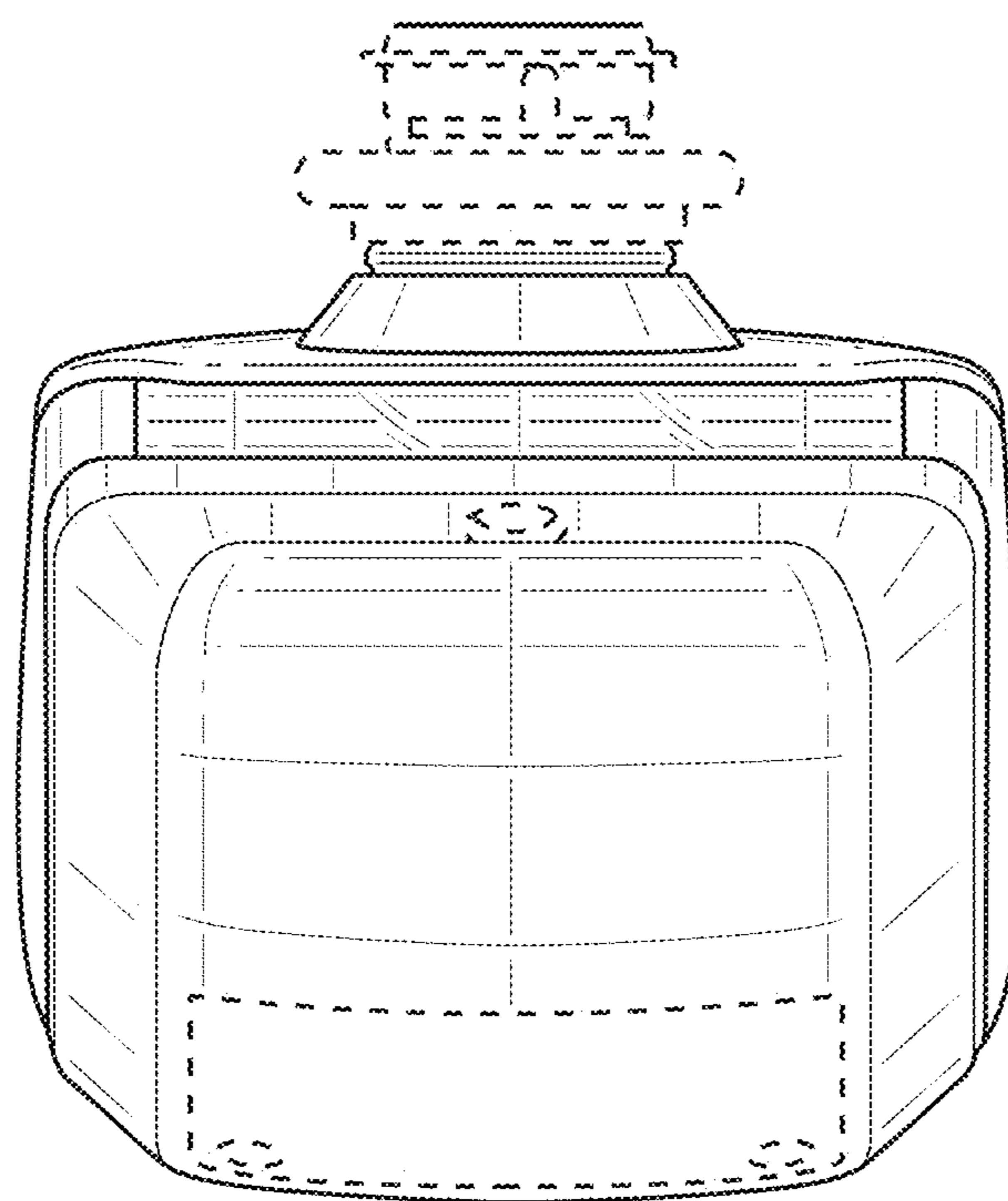
**FIG. 5**



**FIG. 6**



**FIG. 7**



**FIG. 8**