



US00D896968S

(12) **United States Design Patent** (10) **Patent No.:** **US D896,968 S**  
**Yu** (45) **Date of Patent:** **\*\* Sep. 22, 2020**

(54) **HEARING-AID**  
(71) Applicant: **SHENZHEN SVOTE TECHNOLOGY CO., LTD**, Shenzhen (CN)  
(72) Inventor: **Renna Yu**, Shenzhen (CN)  
(73) Assignee: **SHENZHEN SVOTE TECHNOLOGY CO., LTD**, Shenzhen (CN)

(\*\*) Term: **15 Years**

(21) Appl. No.: **29/705,266**

(22) Filed: **Sep. 11, 2019**

(51) **LOC (12) Cl.** ..... **24-99**

(52) **U.S. Cl.**  
USPC ..... **D24/174**

(58) **Field of Classification Search**  
USPC ..... D24/173-175; D14/205, 223-226, 249, D14/230, 231, 236  
CPC .. H04R 2225/025; H04R 25/60; H04R 25/63; H04R 25/67; H04R 25/602; H04R 25/604; H04R 25/608; H04R 25/65; H04R 25/652

See application file for complete search history.

(56) **References Cited**

**U.S. PATENT DOCUMENTS**

D541,420 S \* 4/2007 Darbut ..... D24/174  
7,302,071 B2 \* 11/2007 Schumaier ..... H04R 25/606  
381/151

D667,121 S \* 9/2012 Mori ..... D24/174  
D674,094 S \* 1/2013 Takano ..... D24/174  
D735,339 S \* 7/2015 Meinertz ..... D24/174  
D759,823 S \* 6/2016 Wai ..... D24/174  
D772,417 S \* 11/2016 Li ..... D24/174  
D797,938 S \* 9/2017 Li ..... D24/174  
D825,764 S \* 8/2018 Gajstut ..... D24/174  
2007/0127757 A2 \* 6/2007 Darbut ..... H04R 25/65  
381/330  
2016/0227334 A1 \* 8/2016 Johansen ..... H04R 25/65  
2019/0116435 A1 \* 4/2019 Hesselballe ..... H04R 25/554

**FOREIGN PATENT DOCUMENTS**

EM 004071330-0001 \* 7/2017

\* cited by examiner

*Primary Examiner* — Anhdao Doan

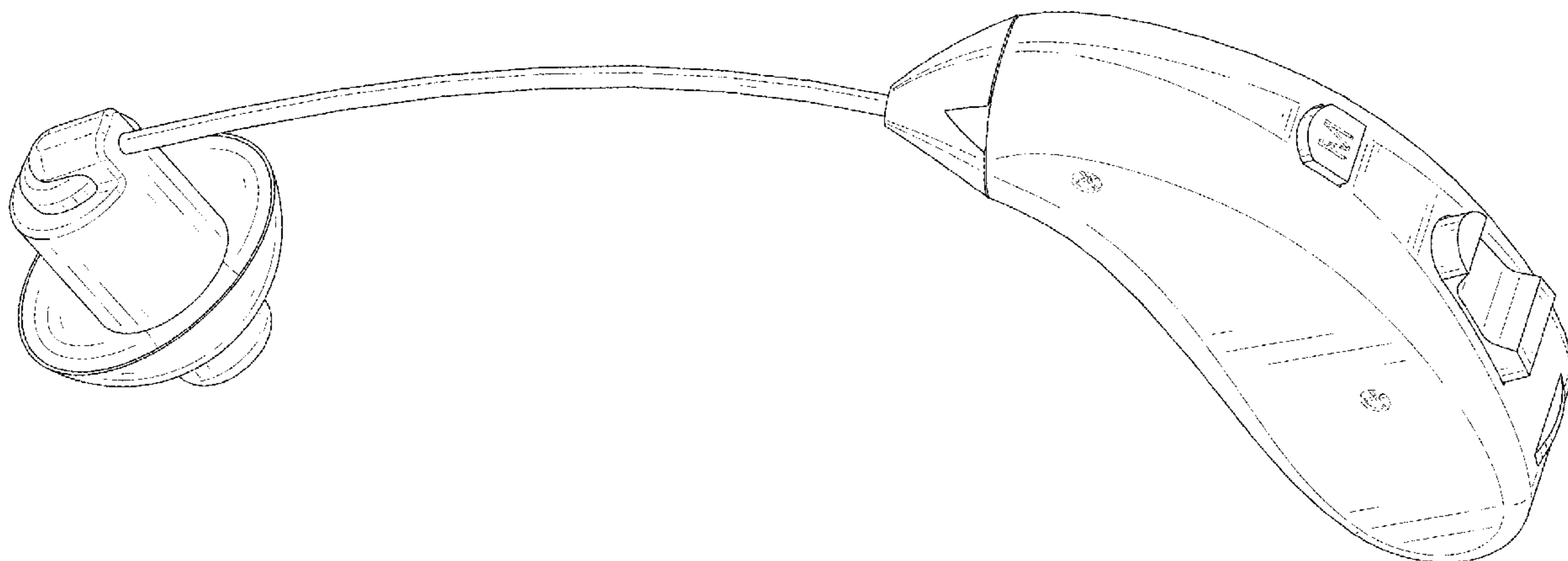
(57) **CLAIM**

The ornamental design for a hearing-aid, as shown and described.

**DESCRIPTION**

FIG. 1 is a perspective view of a hearing-aid showing my new design;  
FIG. 2 is another perspective view thereof;  
FIG. 3 is a front elevational view thereof;  
FIG. 4 is a rear elevational view thereof;  
FIG. 5 is a left side elevational view thereof;  
FIG. 6 is a right side elevational view thereof;  
FIG. 7 is a top plan view thereof; and,  
FIG. 8 is a bottom plan view thereof.  
The broken lines in the drawings depict portions of the hearing-aid that form no part of the claimed design.

**1 Claim, 8 Drawing Sheets**



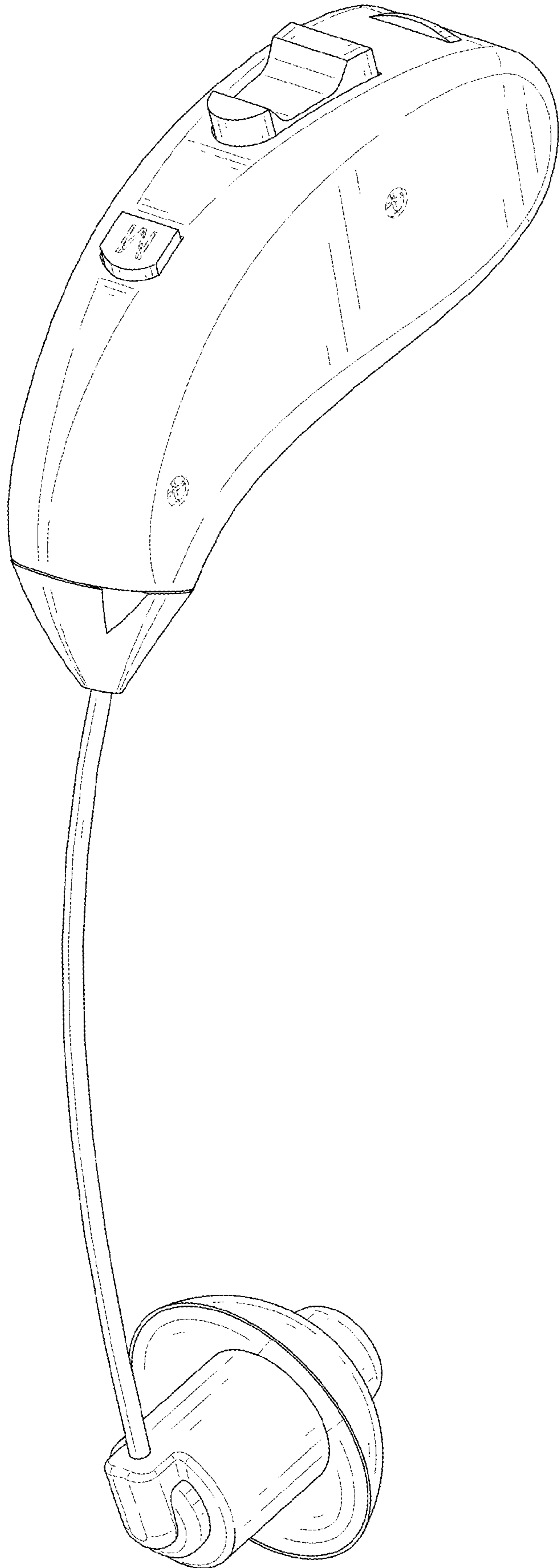


FIG. 1

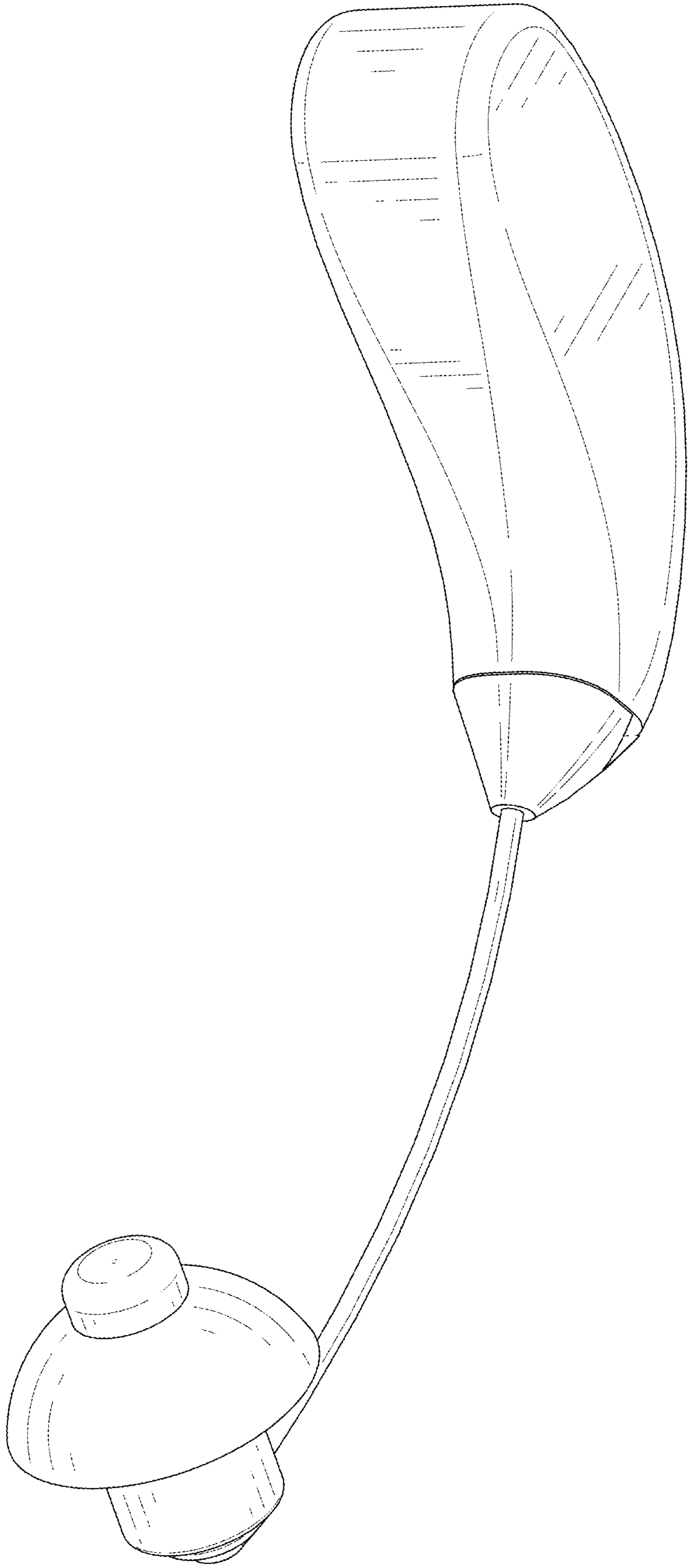


FIG. 2

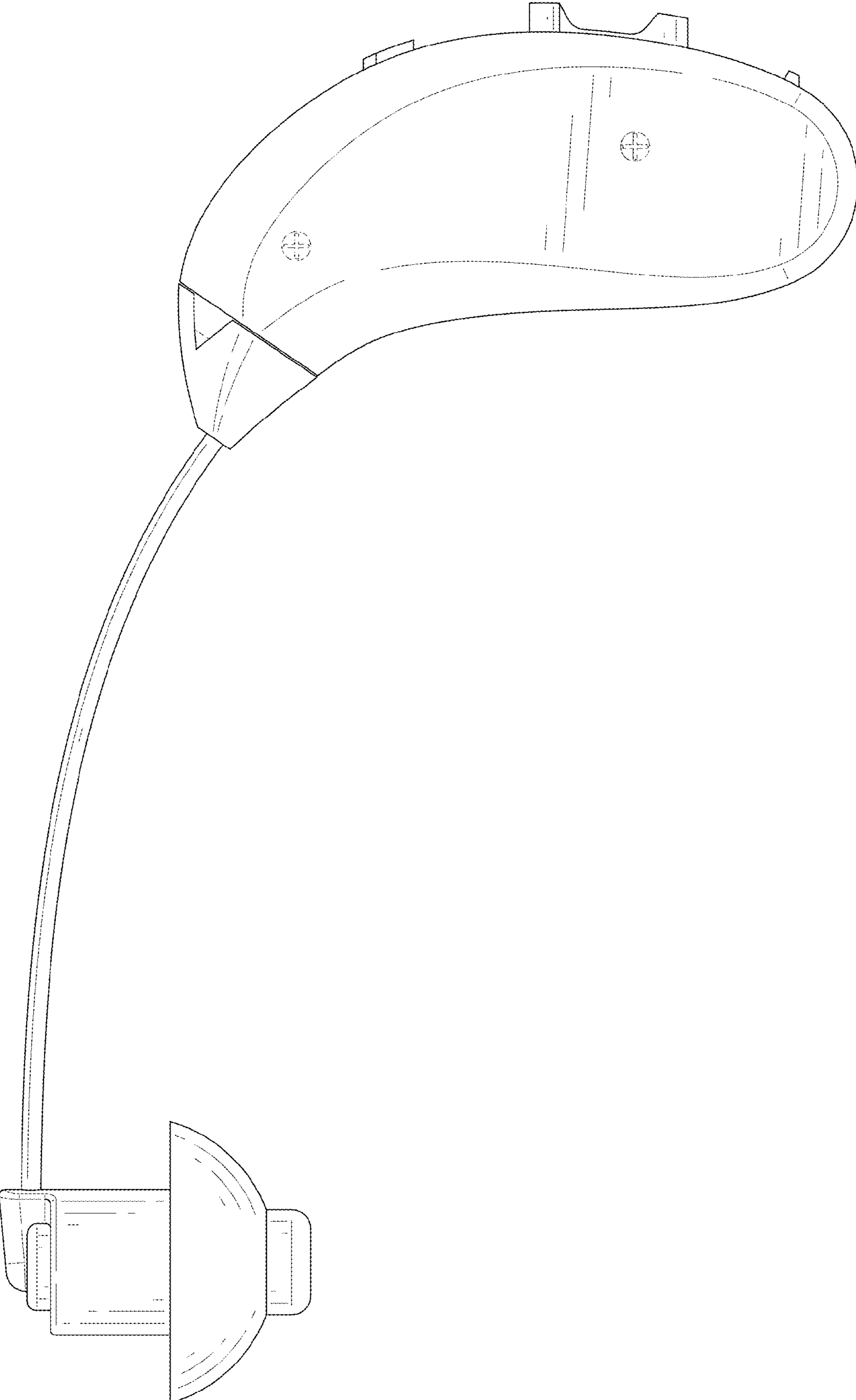


FIG. 3

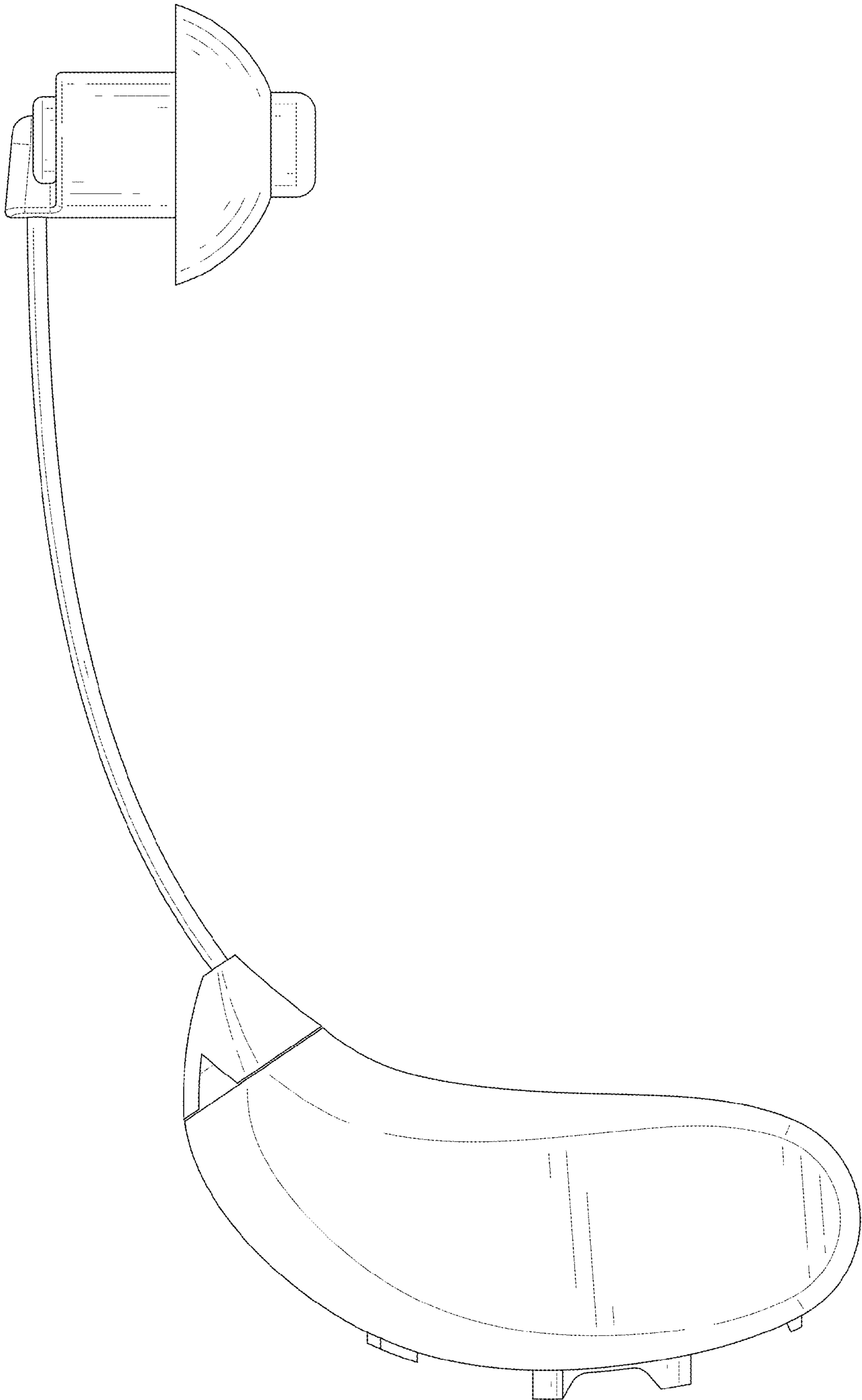


FIG. 4

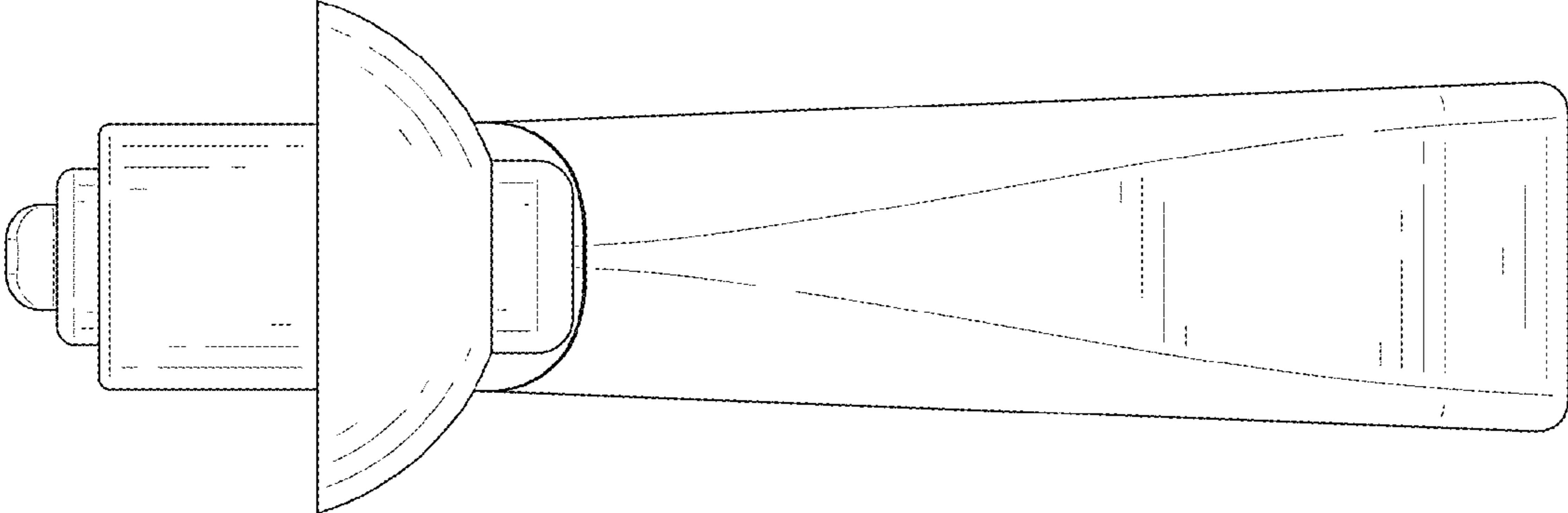


FIG. 5

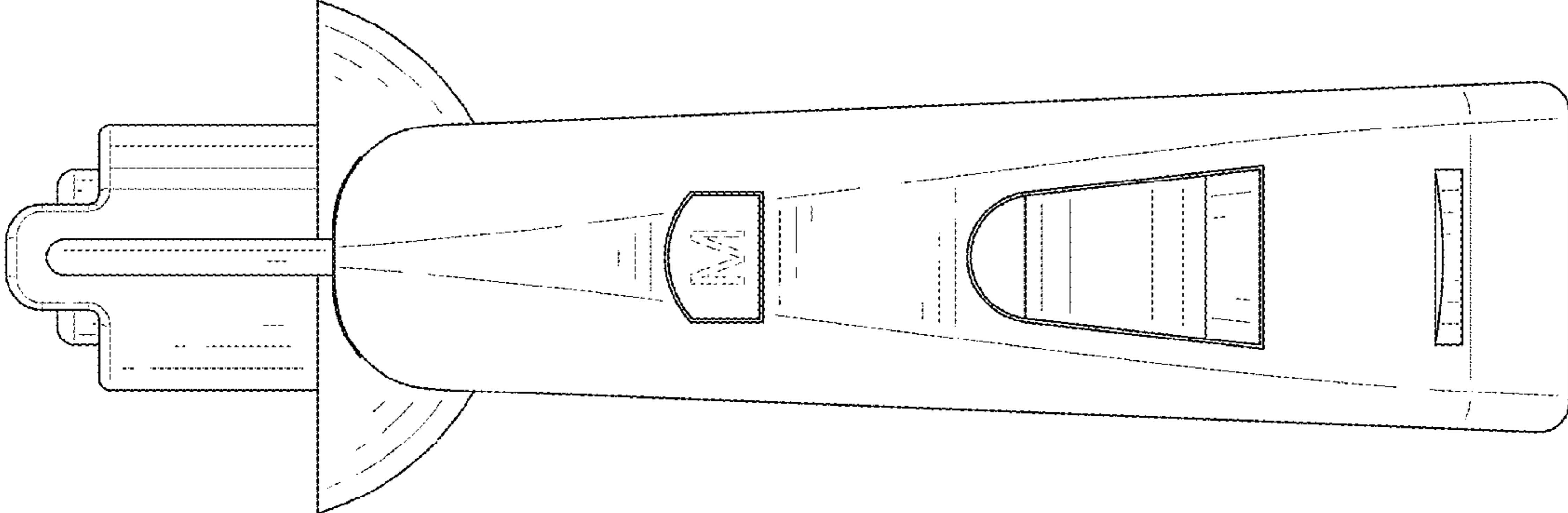


FIG. 6

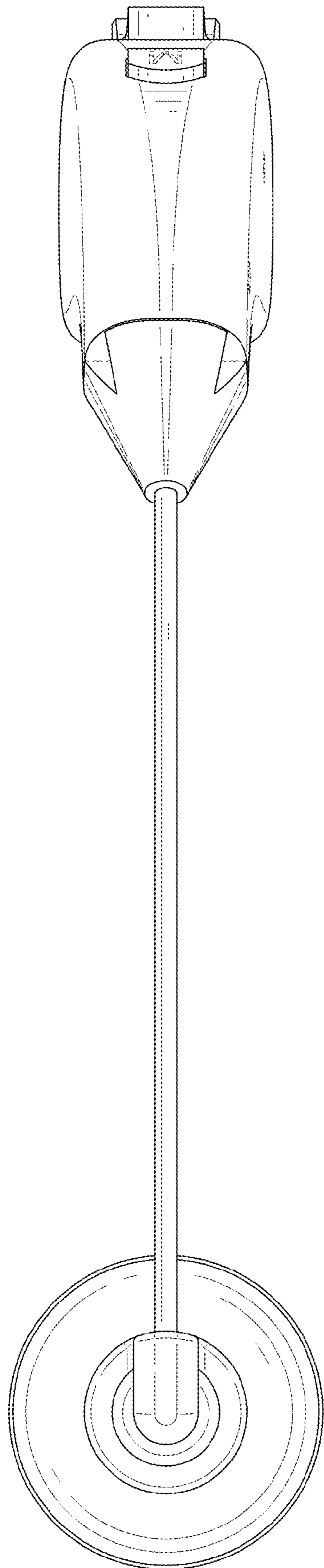


FIG. 7



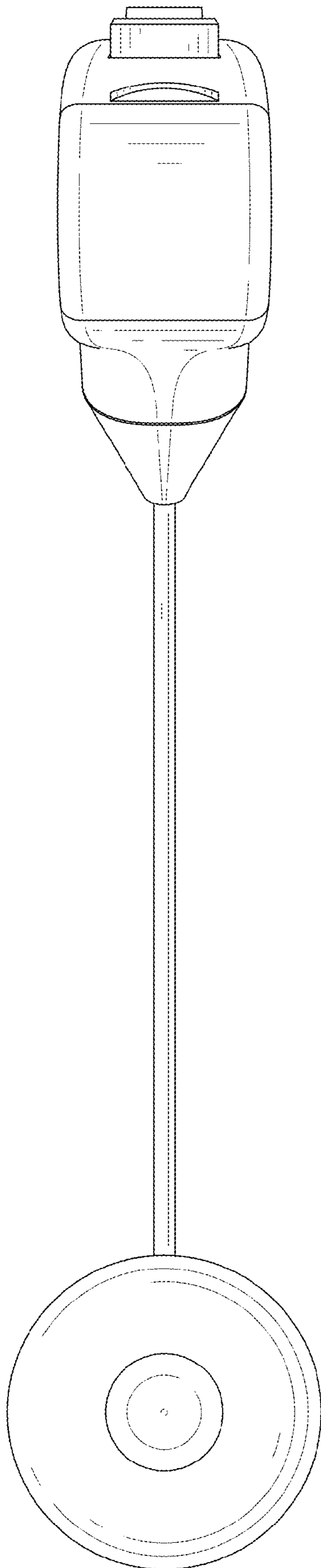


FIG. 8