



US00D896966S

(12) **United States Design Patent** (10) **Patent No.:** **US D896,966 S**  
**Roth** (45) **Date of Patent:** **\*\* Sep. 22, 2020**

(54) **CONTROLLER FOR EQUIPMENT**

(71) Applicant: **Siemens Healthcare GmbH**, Erlangen (DE)

(72) Inventor: **Nadja Roth**, Bamberg (DE)

(73) Assignee: **Siemens Healthcare GmbH**, Erlangen (DE)

(\*\*) Term: **15 Years**

(21) Appl. No.: **29/680,248**

(22) Filed: **Feb. 14, 2019**

(30) **Foreign Application Priority Data**

Aug. 15, 2018 (EM) ..... 005609625

(51) **LOC (12) Cl.** ..... **24-01**

(52) **U.S. Cl.**  
USPC ..... **D24/158**

(58) **Field of Classification Search**  
USPC ..... D24/107, 158–161, 185, 186, 187, 231;  
D14/218; D13/162, 168–170  
(Continued)

(56) **References Cited**

**U.S. PATENT DOCUMENTS**

D545,966 S \* 7/2007 Ogiwara ..... D24/158  
D548,344 S \* 8/2007 Ogiwara ..... D24/158  
(Continued)

**FOREIGN PATENT DOCUMENTS**

JP 1590076 S 11/2017  
JP 1590274 S 11/2017  
JP 1590276 S 11/2017

**OTHER PUBLICATIONS**

Japanese action dated Jun. 4, 2019, Application No. 2018-027754 and English translation.

(Continued)

*Primary Examiner* — Anhdao Doan

(74) *Attorney, Agent, or Firm* — Schiff Hardin LLP

(57) **CLAIM**

The ornamental design for a controller for equipment, as shown and described.

**DESCRIPTION**

The patent or application file contains at least one drawing executed in color. Copies of this patent or patent application publication with color drawing(s) will be provided by the Office upon request and payment of the necessary fee.

FIG. 1 is a front view of a first embodiment of a controller for equipment showing our new design;

FIG. 2 is a back elevational view thereof;

FIG. 3 is a top plan view thereof;

FIG. 4 is a bottom plan view thereof;

FIG. 5 is a right side elevational view thereof;

FIG. 6 is a left side elevational view thereof; and

FIG. 7 is a perspective view taken generally from the upper, front, left-hand side thereof.

FIG. 8 is a front view of a second embodiment thereof;

FIG. 9 is a back elevational view thereof;

FIG. 10 is a top plan view thereof;

FIG. 11 is a bottom plan view thereof;

FIG. 12 is a right side elevational view thereof;

FIG. 13 is a left side elevational view thereof; and

FIG. 14 is a perspective view taken generally from the upper, front, left-hand side thereof.

FIG. 15 is a front view of a third embodiment thereof;

FIG. 16 is a back elevational view thereof;

FIG. 17 is a top plan view thereof;

FIG. 18 is a bottom plan view thereof;

FIG. 19 is a right side elevational view thereof;

FIG. 20 is a left side elevational view thereof; and

FIG. 21 is a perspective view taken generally from the upper, front, left-hand side thereof.

FIG. 22 is a front view of a fourth embodiment thereof;

FIG. 23 is a back elevational view thereof;

FIG. 24 is a top plan view thereof;

FIG. 25 is a bottom plan view thereof;

FIG. 26 is a right side elevational view thereof;

FIG. 27 is a left side elevational view thereof; and,

(Continued)

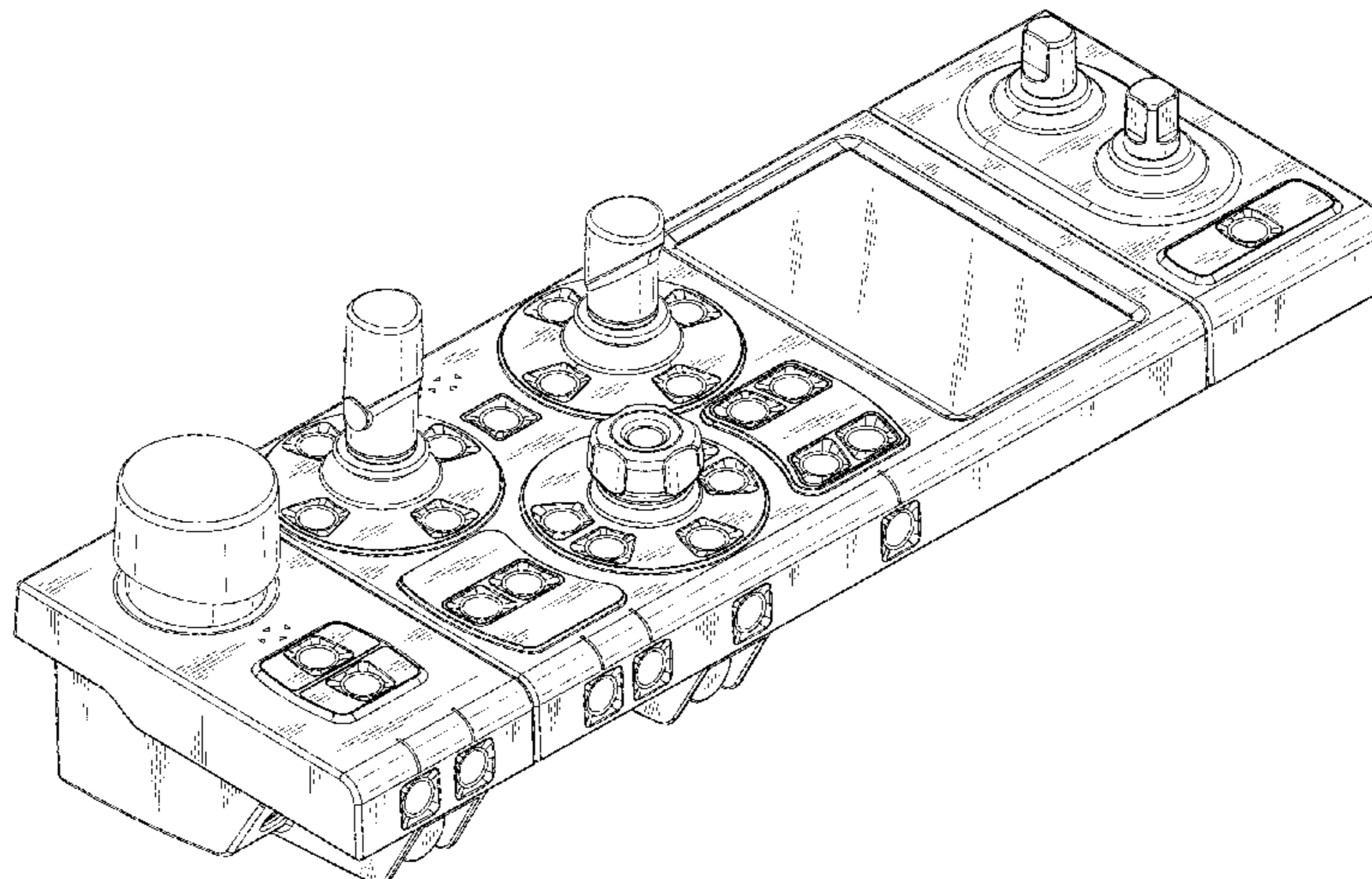


FIG. 28 is a perspective view taken generally from the upper, front, left-hand side thereof. The broken lines shown in the drawings depict portions of the controller for equipment that form no part of the claimed design.

**1 Claim, 28 Drawing Sheets  
(3 of 28 Drawing Sheet(s) Filed in Color)**

(58) **Field of Classification Search**  
CPC .. A61B 6/03; A61B 6/035; A61B 5/05; A61B 5/055; H03J 1/0025; H01H 9/0235; H04B 1/202; G08C 17/00; G08C 17/02  
See application file for complete search history.

(56) **References Cited**

U.S. PATENT DOCUMENTS

D595,669 S \* 7/2009 Endo ..... D13/168  
D636,353 S \* 4/2011 Choi ..... D13/168

D721,814 S \* 1/2015 Creed ..... D13/168  
D723,693 S \* 3/2015 Banryu ..... D24/158  
D727,506 S \* 4/2015 Tan ..... D24/158  
D761,766 S \* 7/2016 Kim ..... D14/218  
D776,090 S \* 1/2017 Huang ..... D14/218  
D781,249 S \* 3/2017 Park ..... D13/168  
D808,909 S \* 1/2018 Findik ..... D13/168  
D822,833 S 7/2018 Doerre et al.

OTHER PUBLICATIONS

Japanese action dated Jun. 4, 2019, Application No. 2018-027753 and English translation.

Japanese action dated Jun. 4, 2019, Application No. 2018-027561 and English translation.

Japanese action dated Jun. 4, 2019, Application No. 2018-027560 and English translation.

\* cited by examiner

FIG. 1

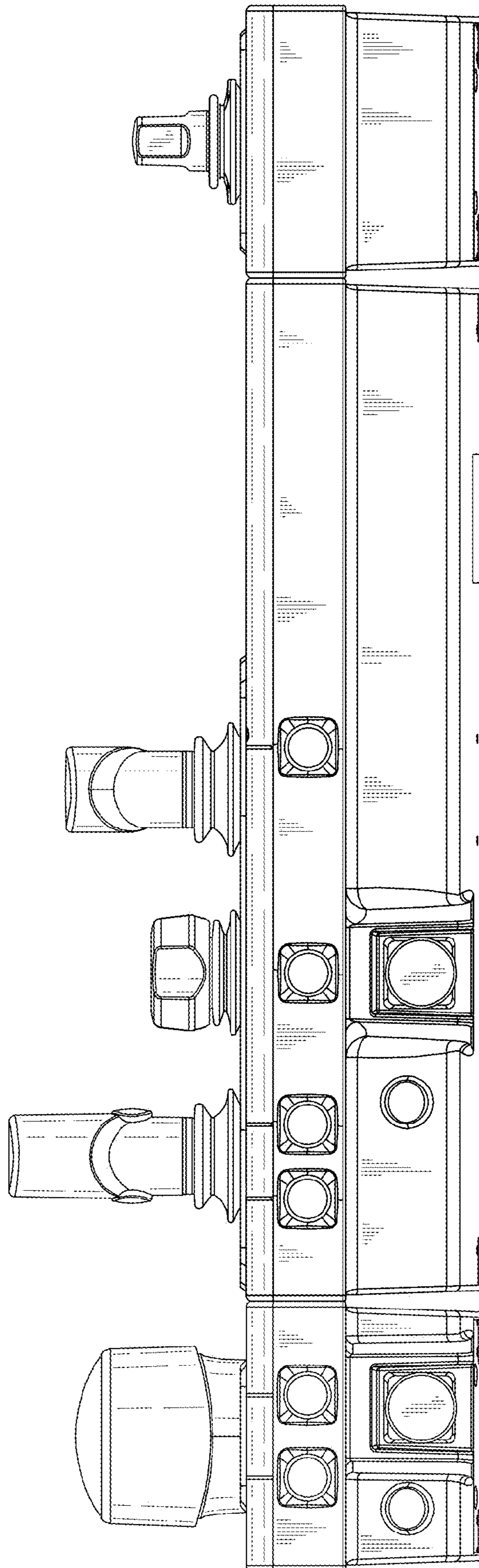




FIG. 2

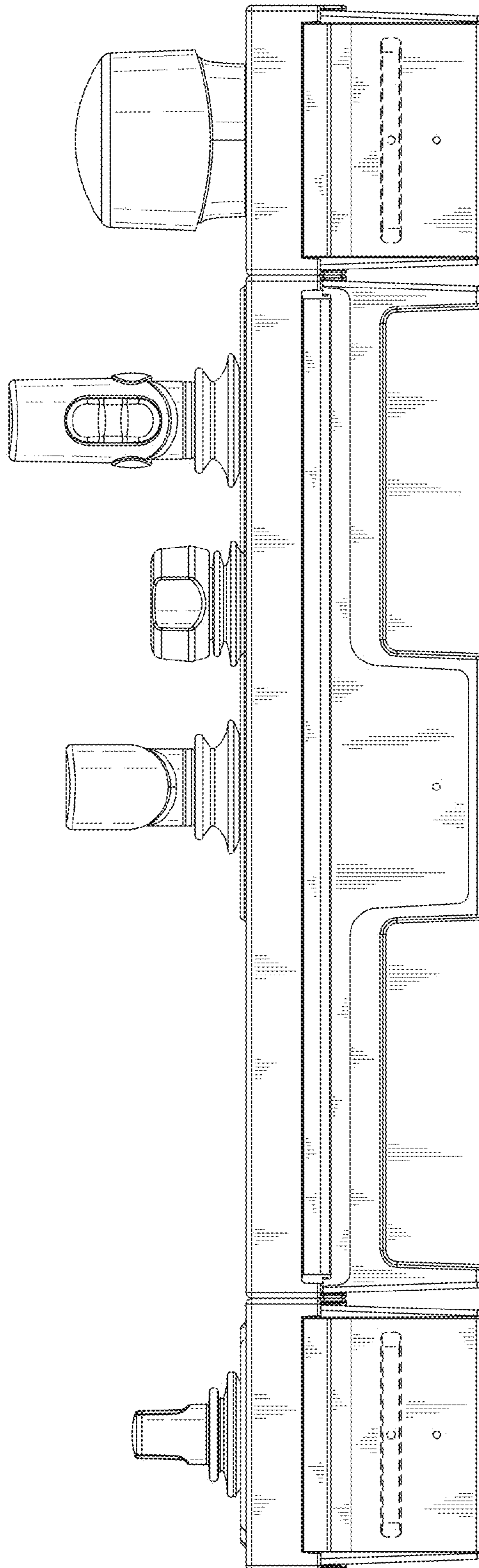


FIG. 3

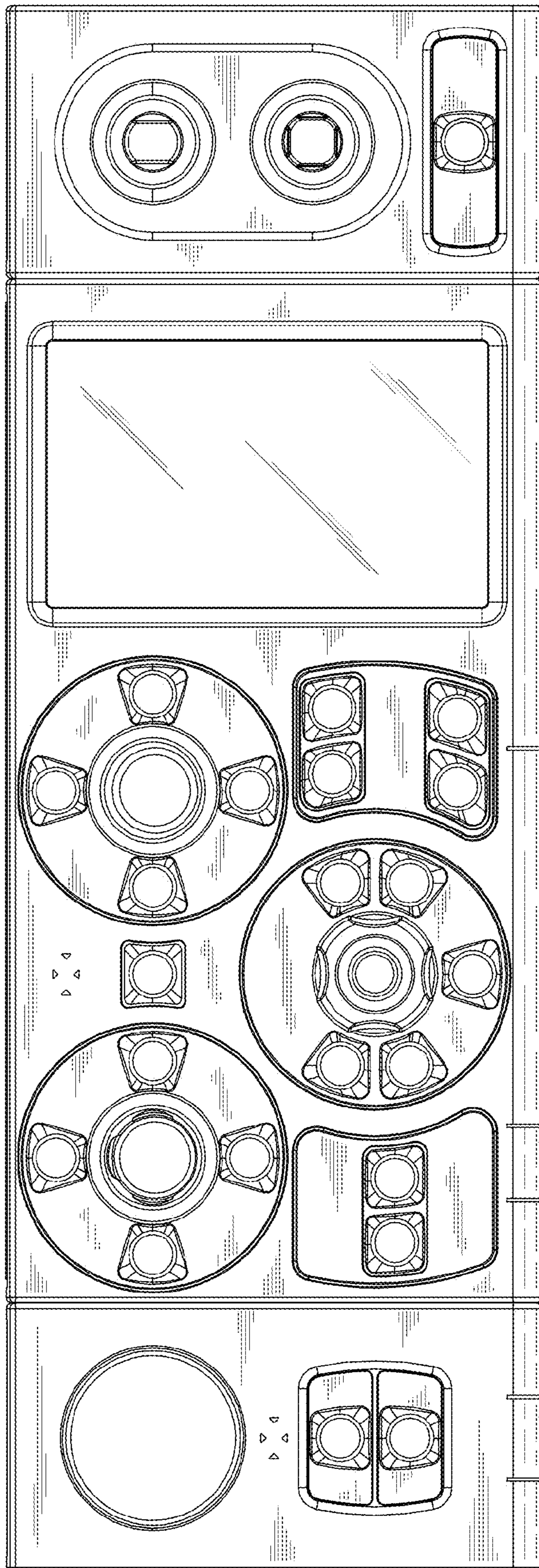




FIG. 4

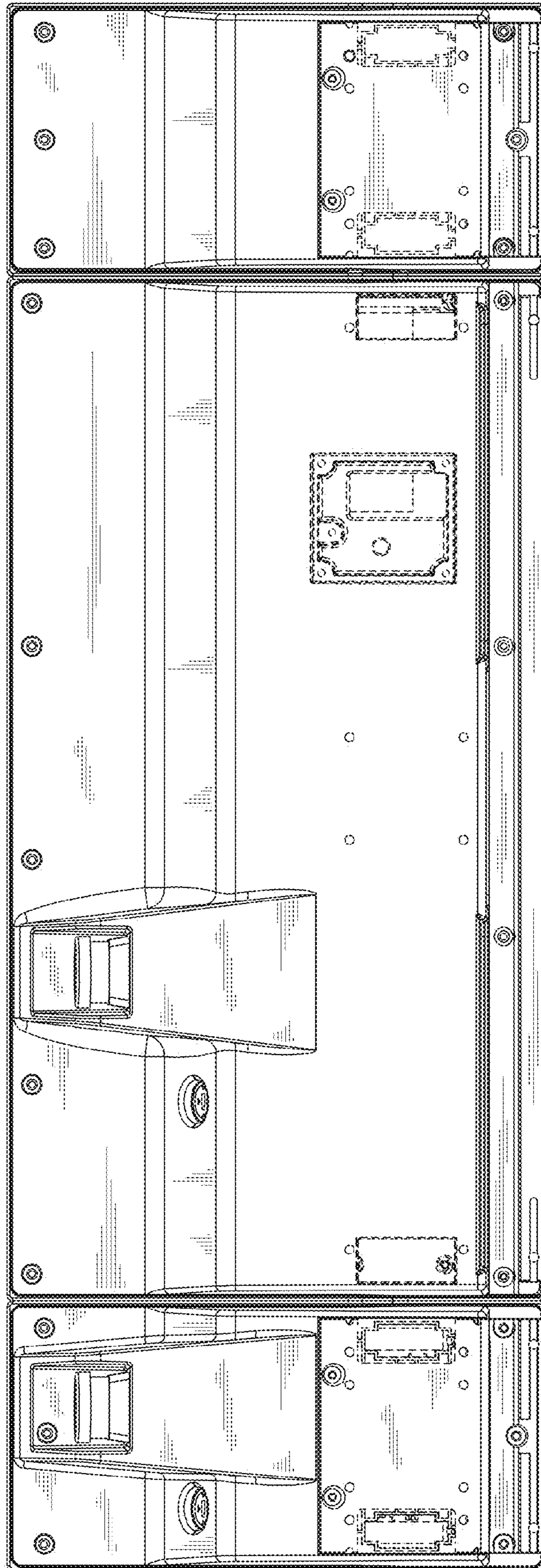


FIG. 5

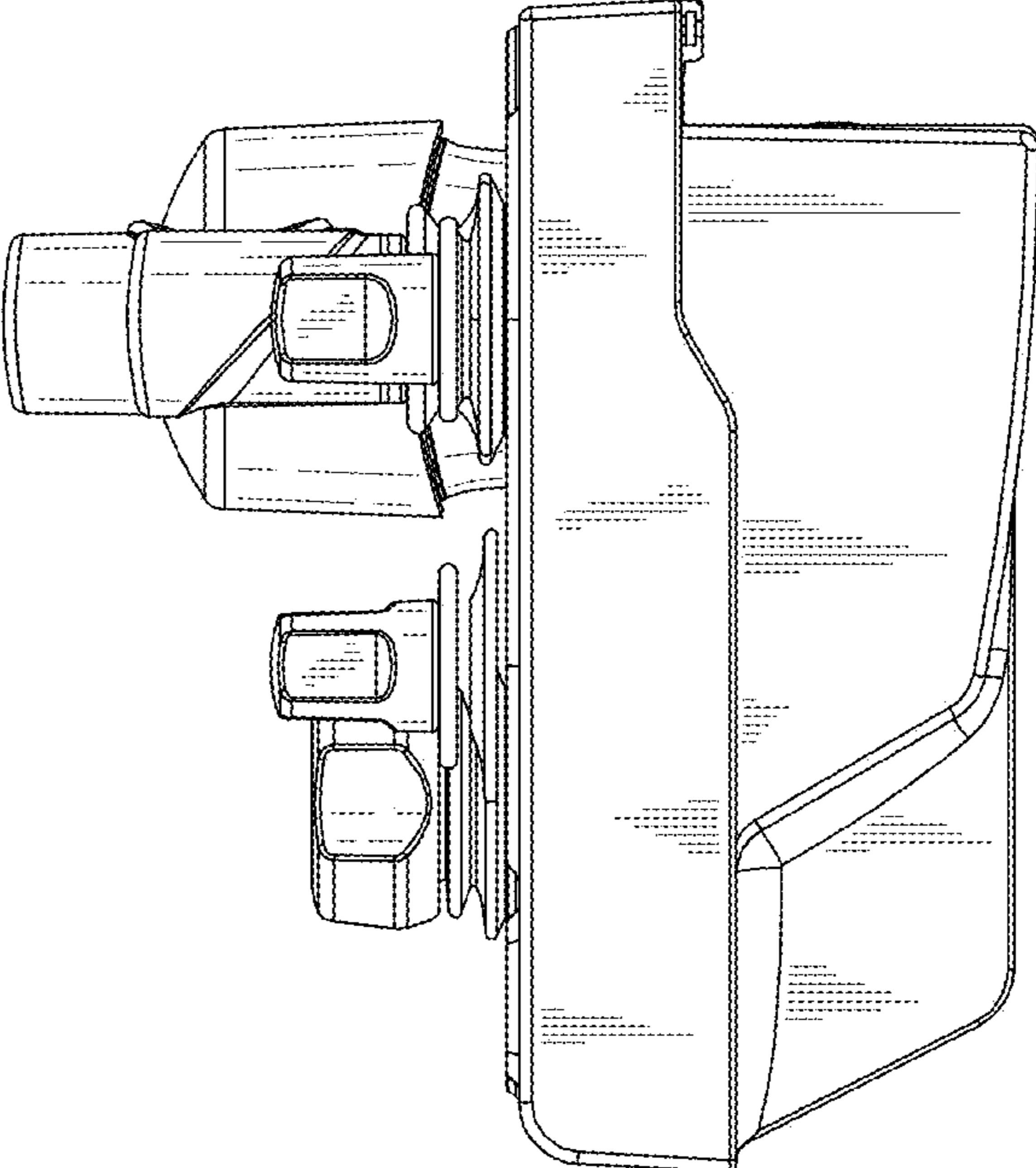


FIG. 6

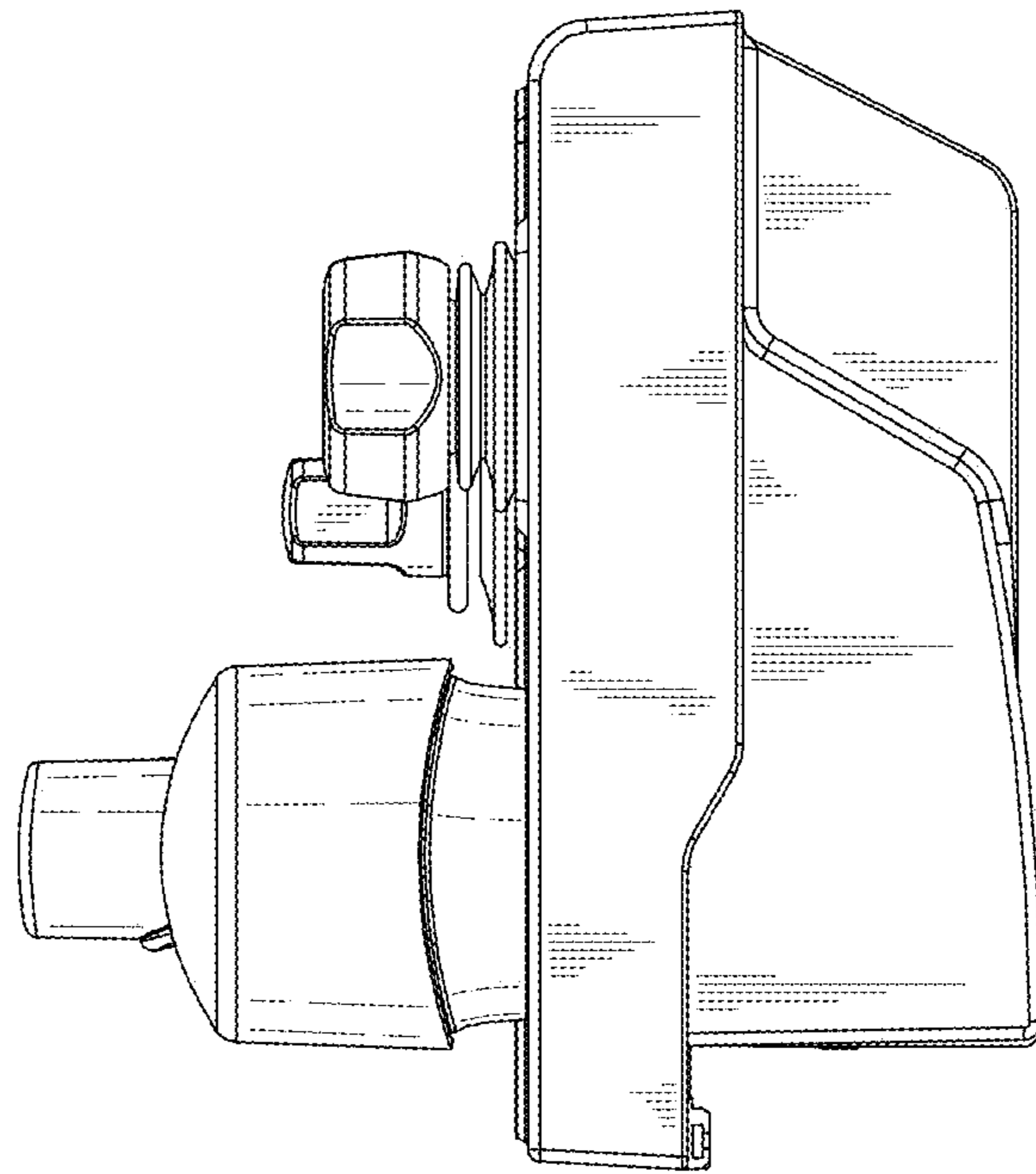




FIG. 7

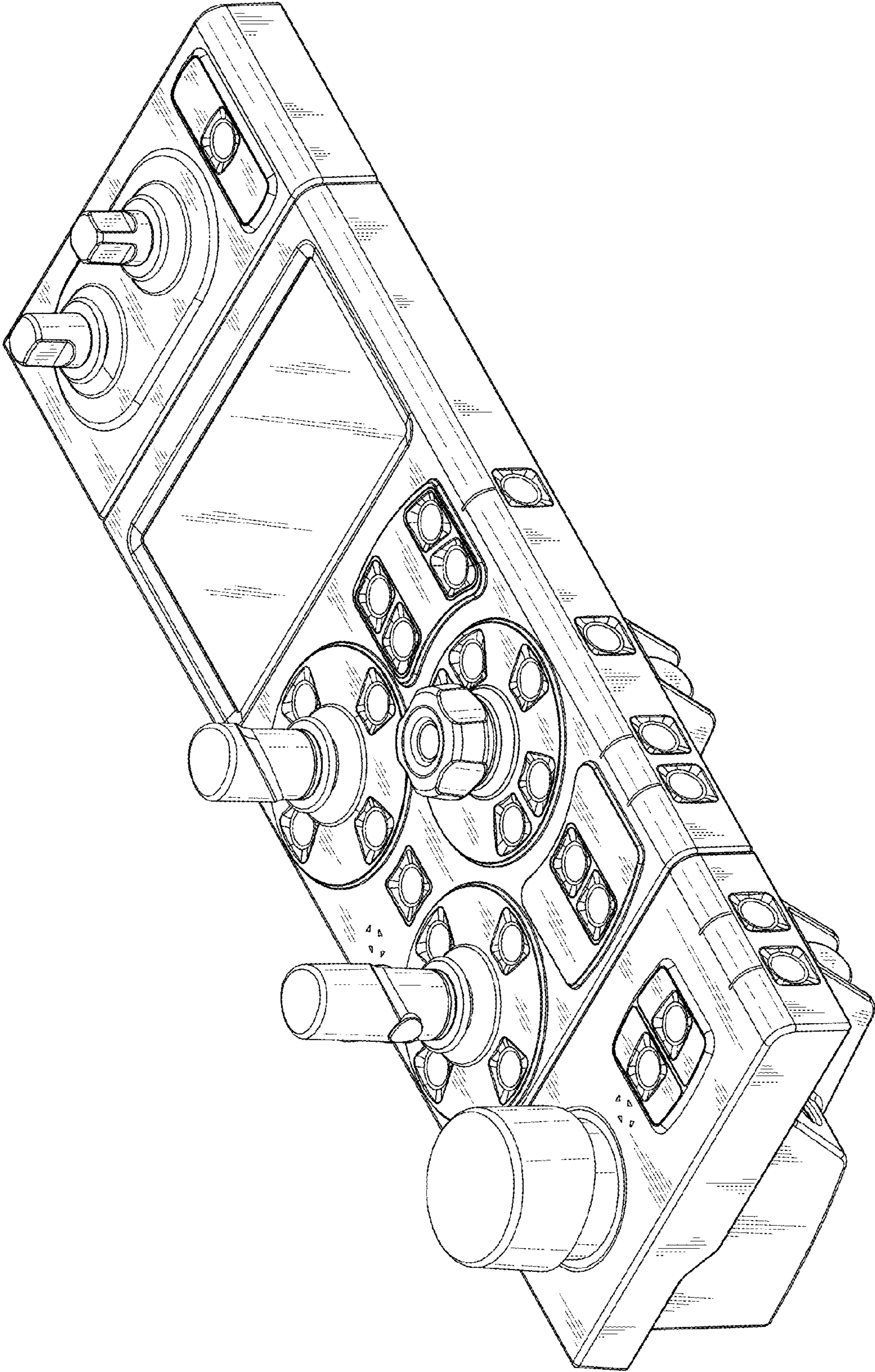




FIG. 9

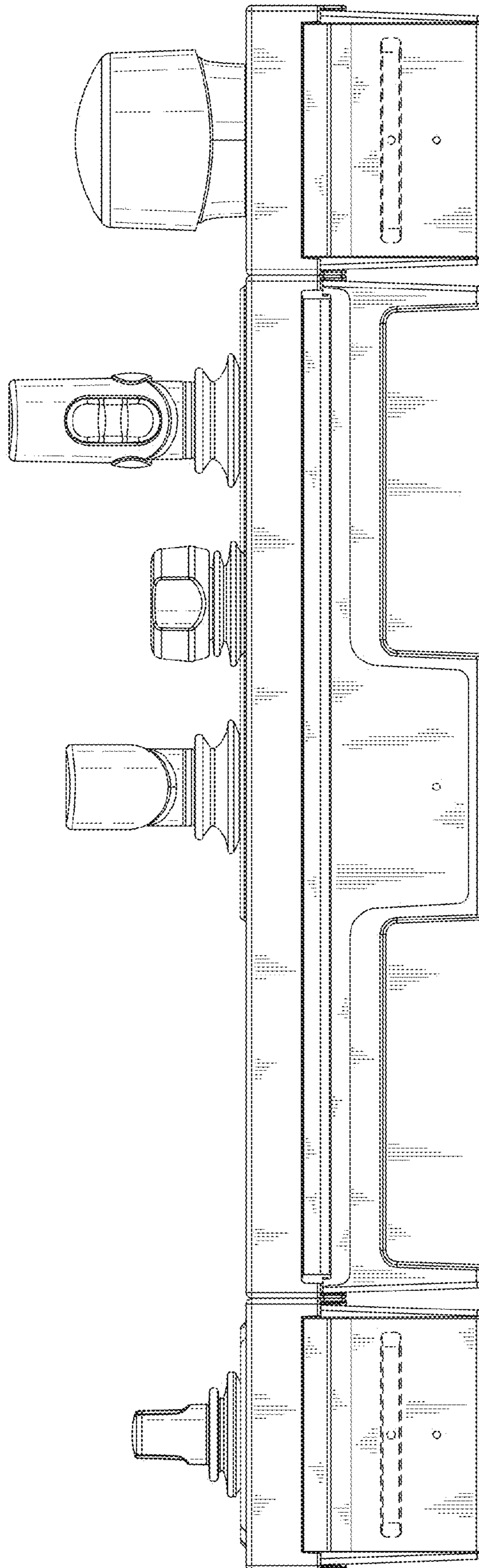




FIG. 10

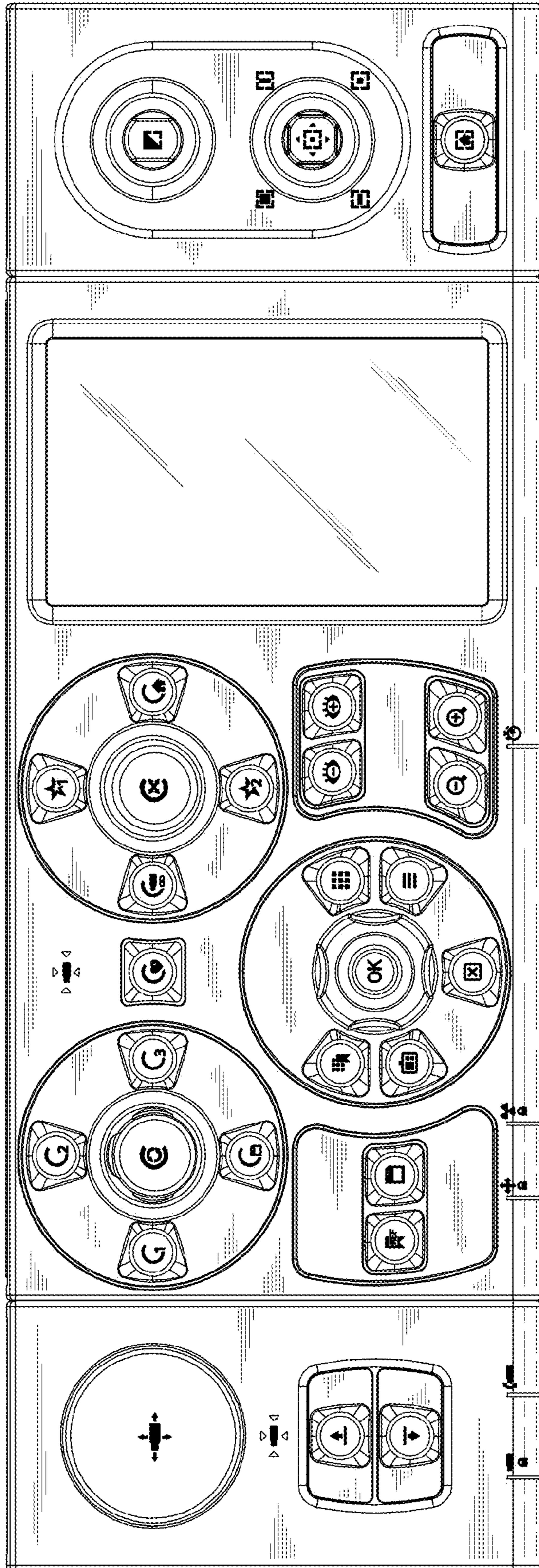


FIG. 11

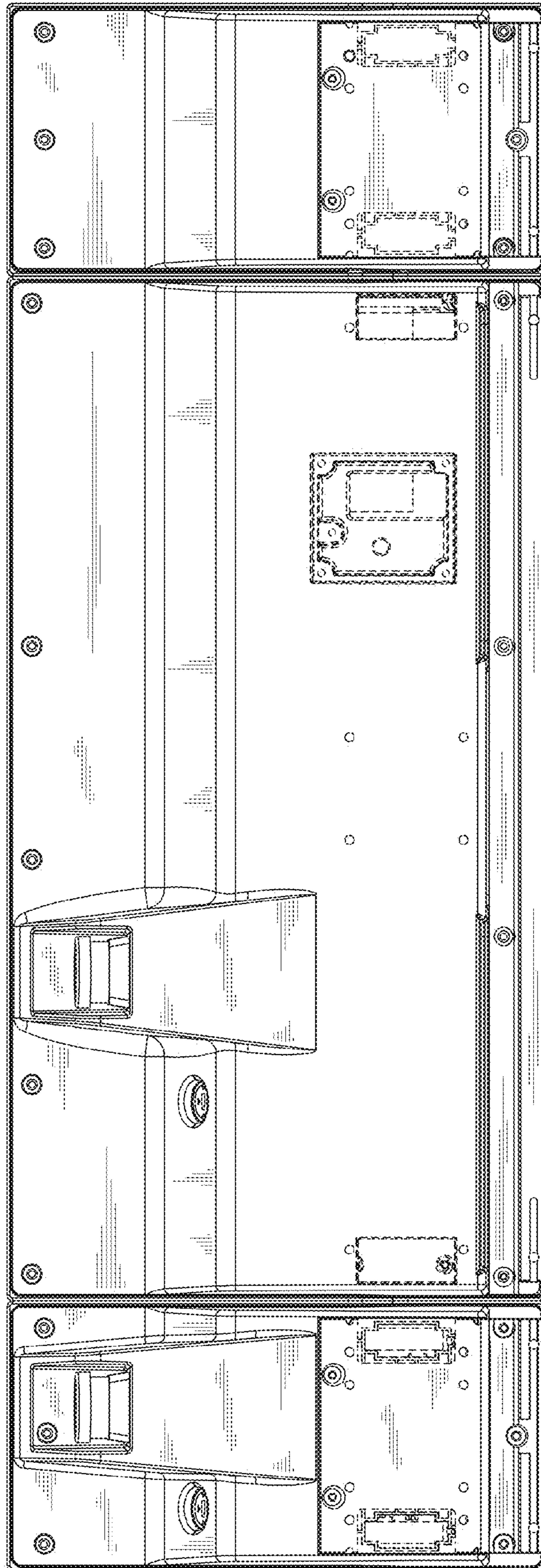


FIG. 12

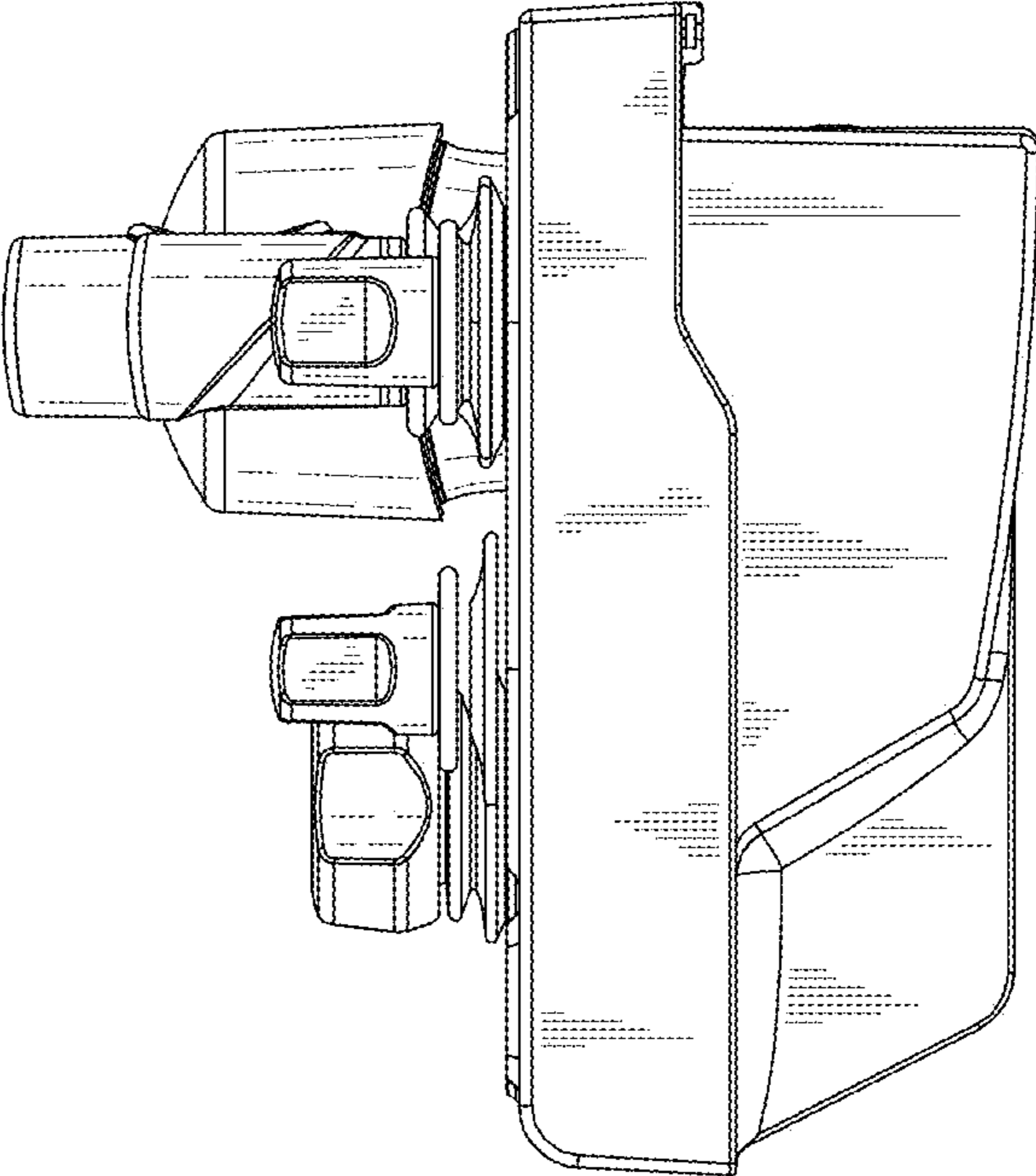




FIG. 13

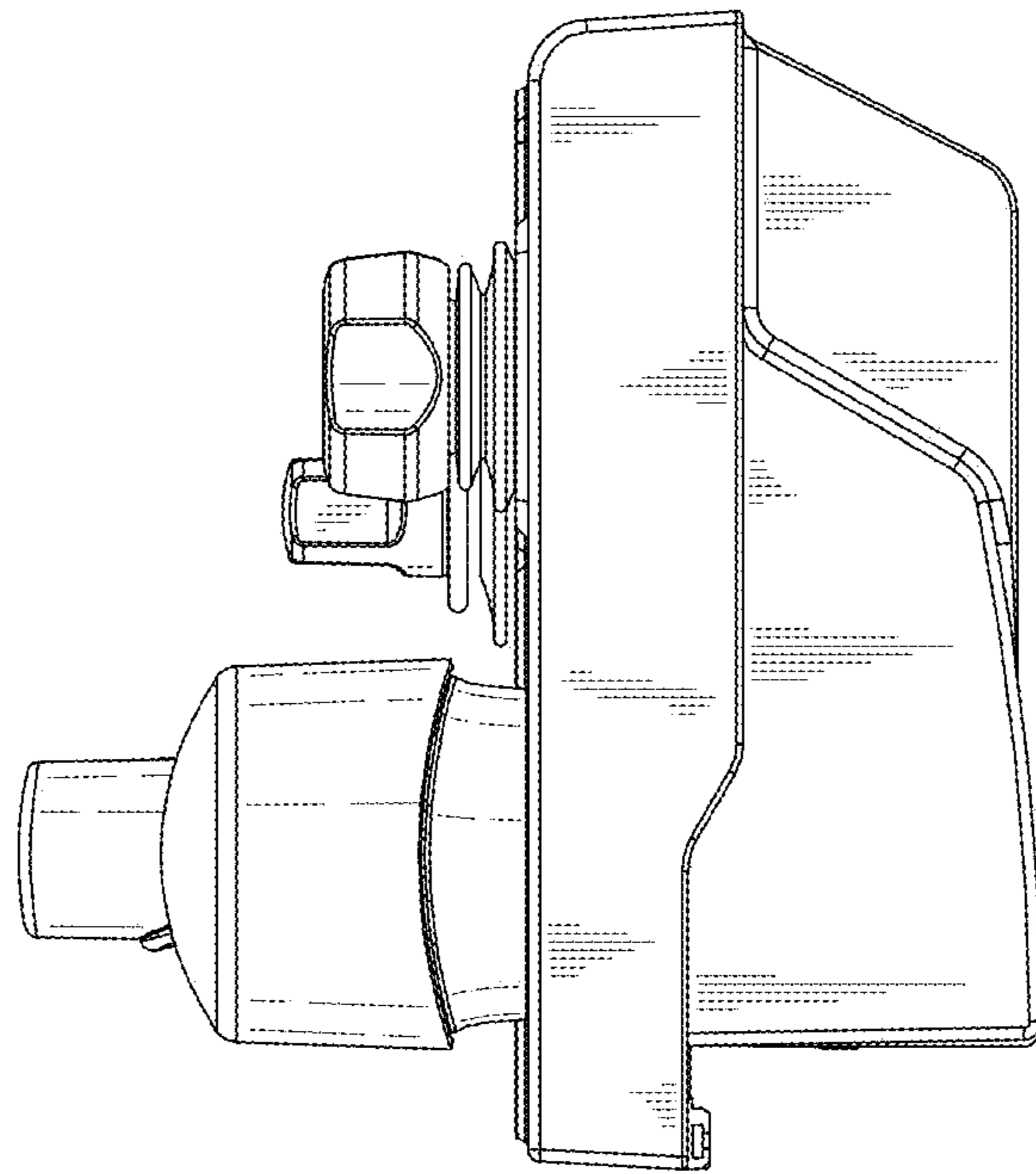


FIG. 14

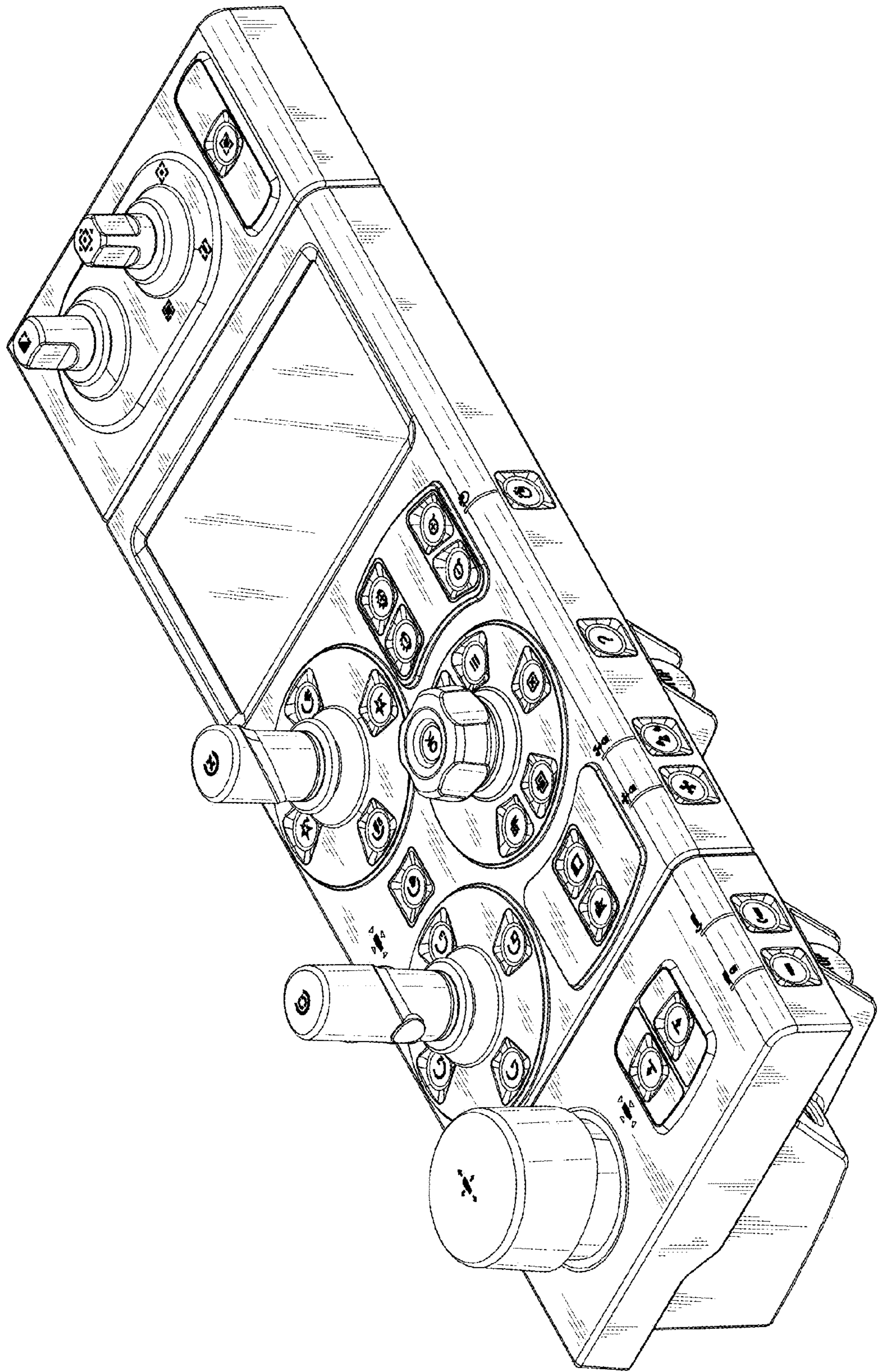


FIG. 15

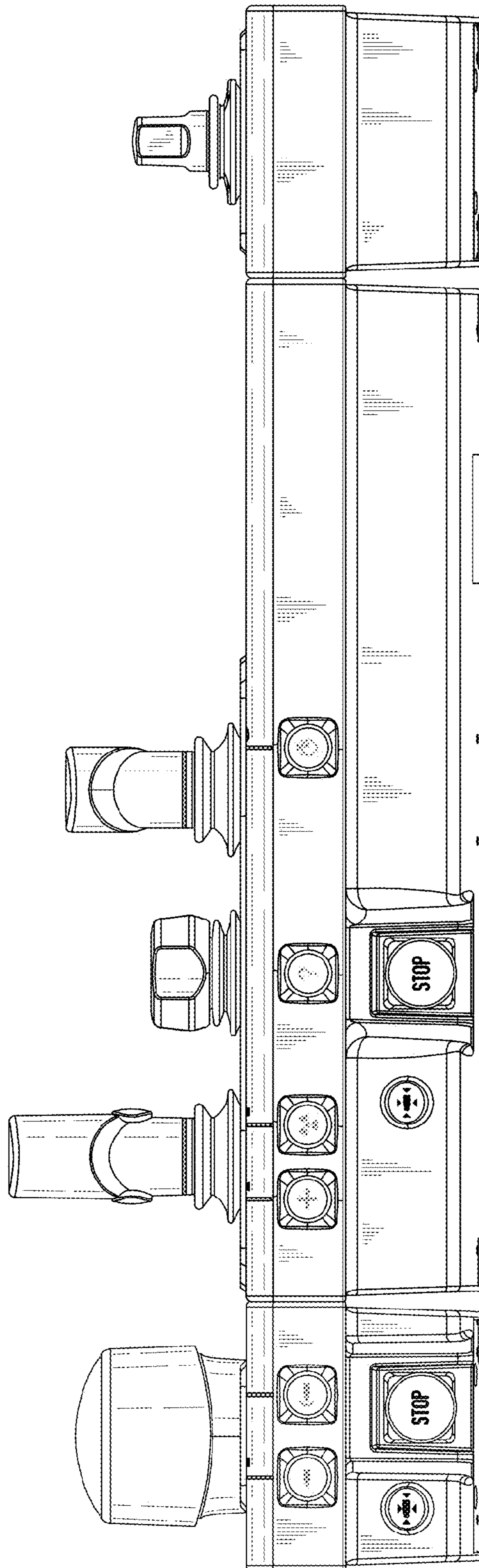




FIG. 16

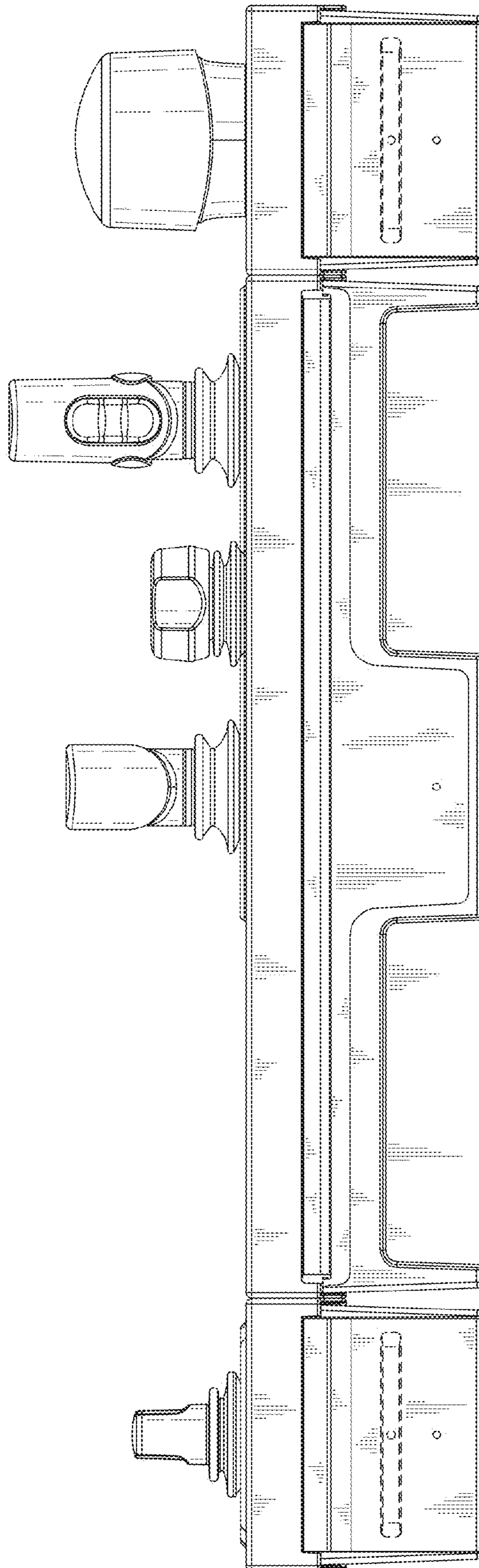


FIG. 17

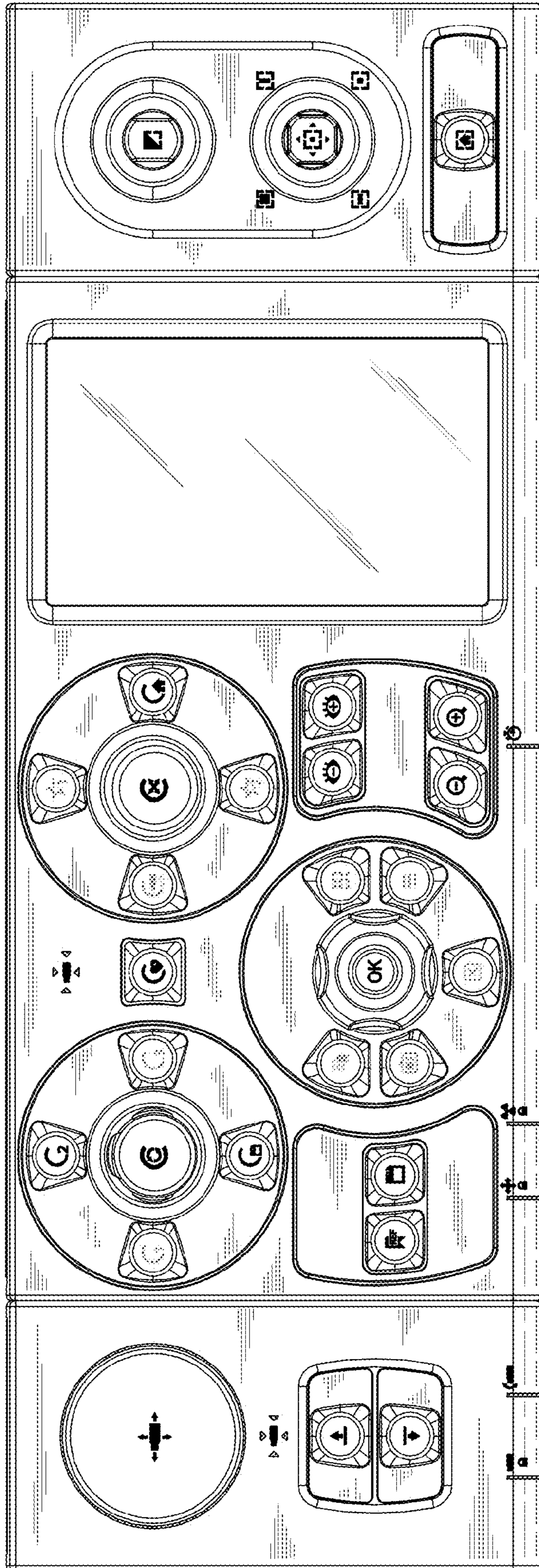




FIG. 18

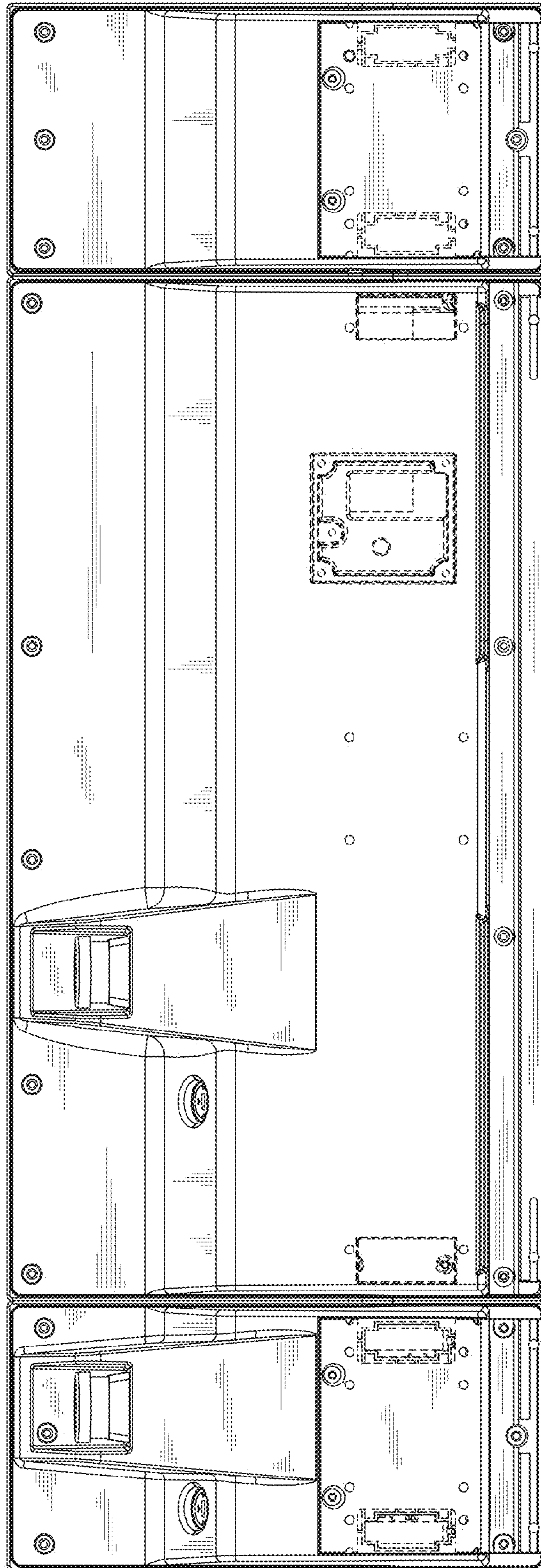




FIG. 19

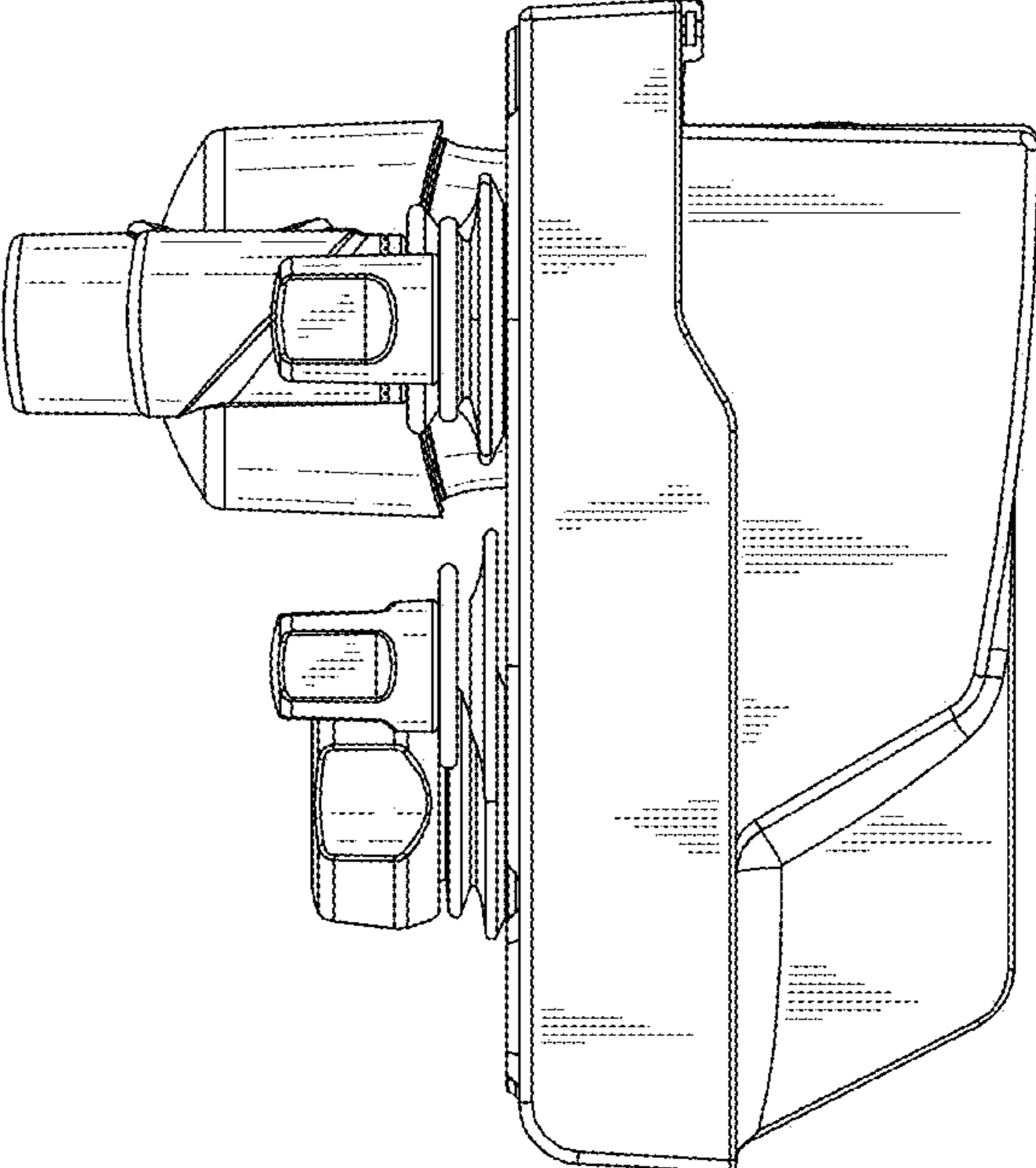


FIG. 20

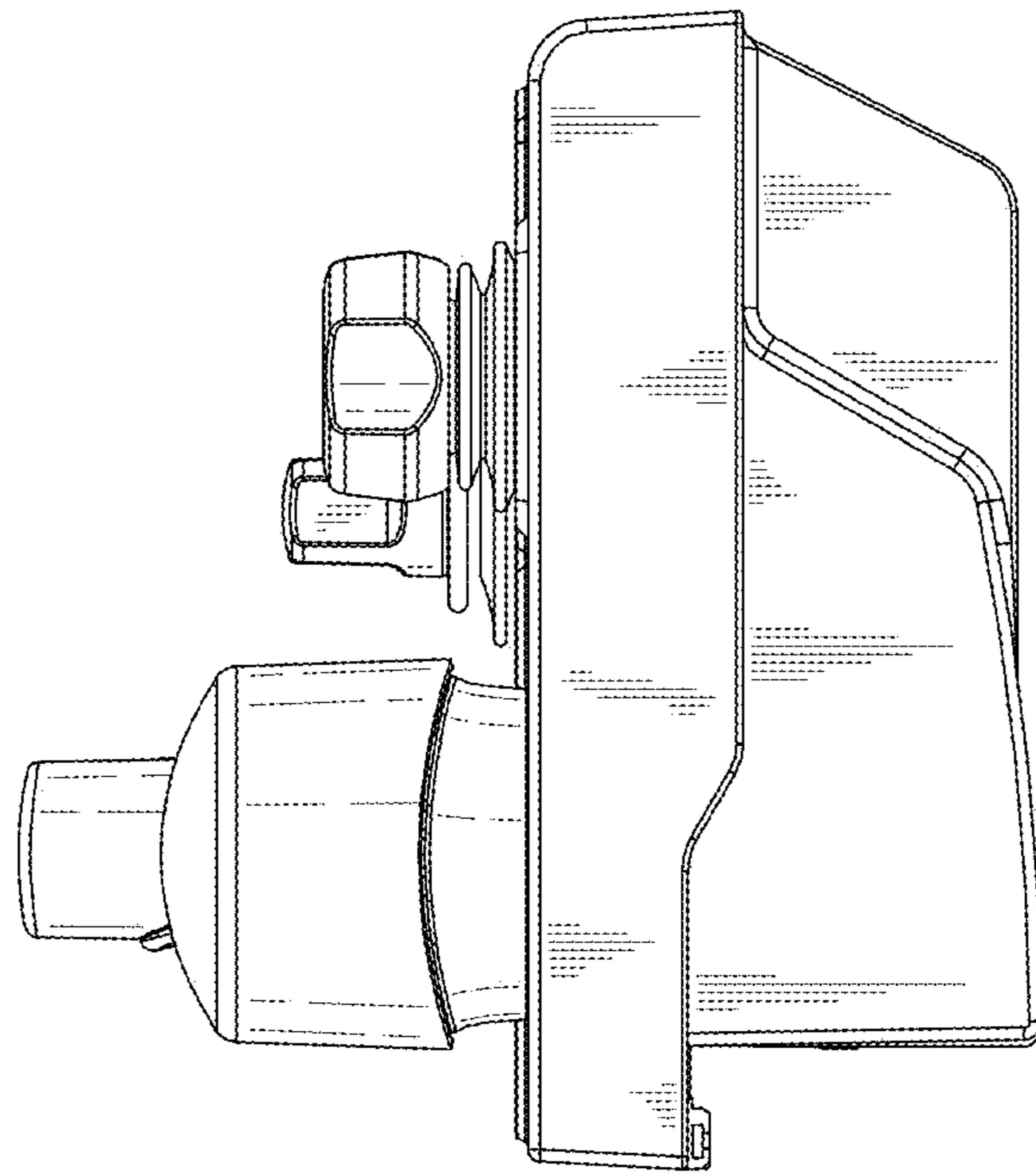


FIG. 21

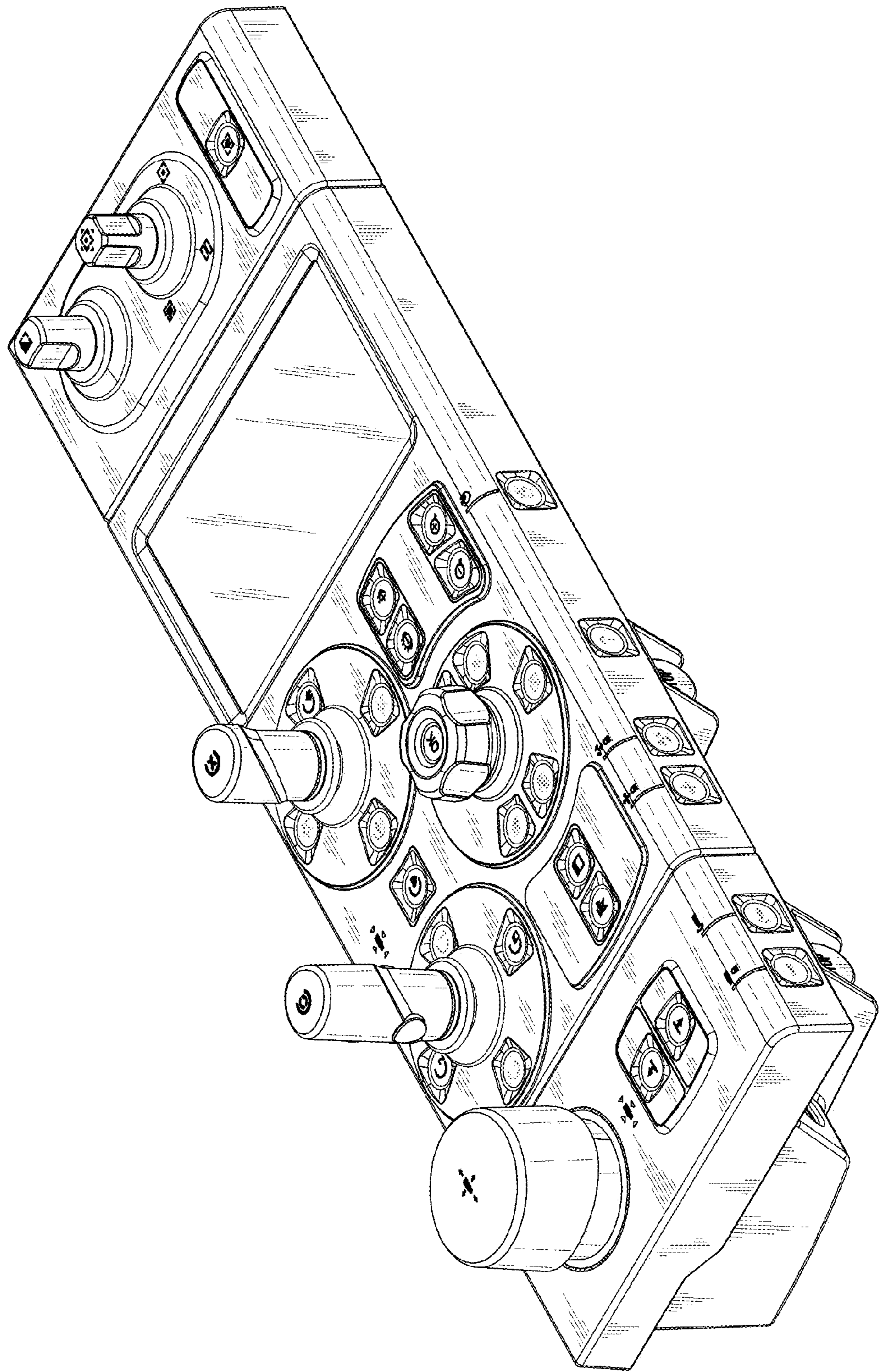




FIG. 22

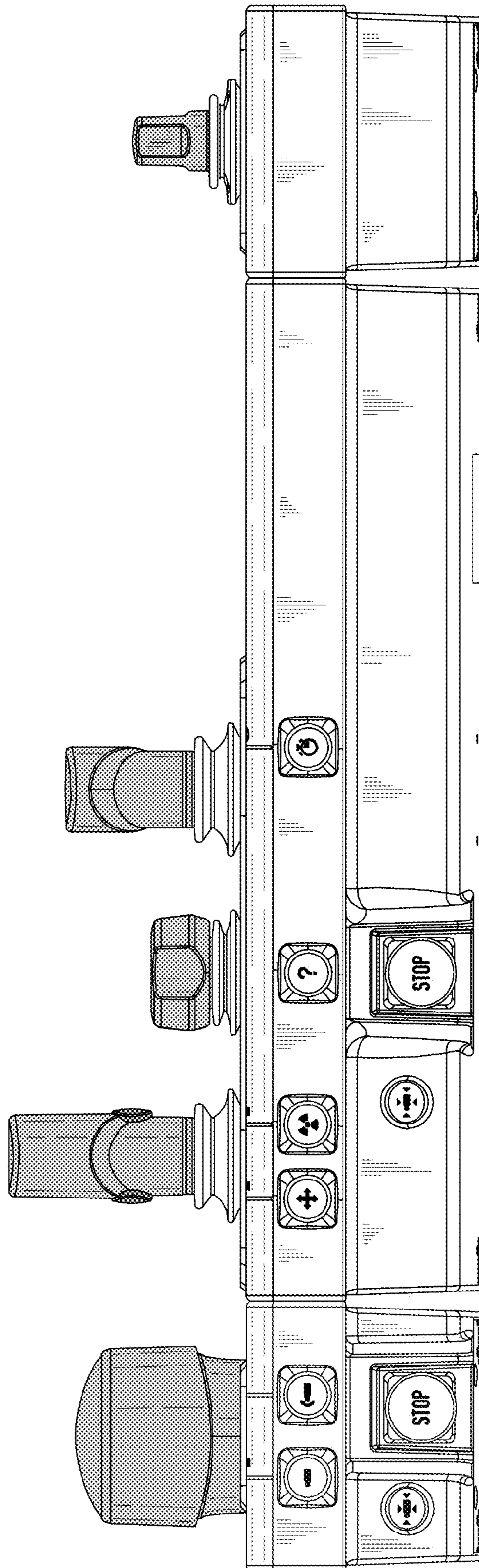


FIG. 23

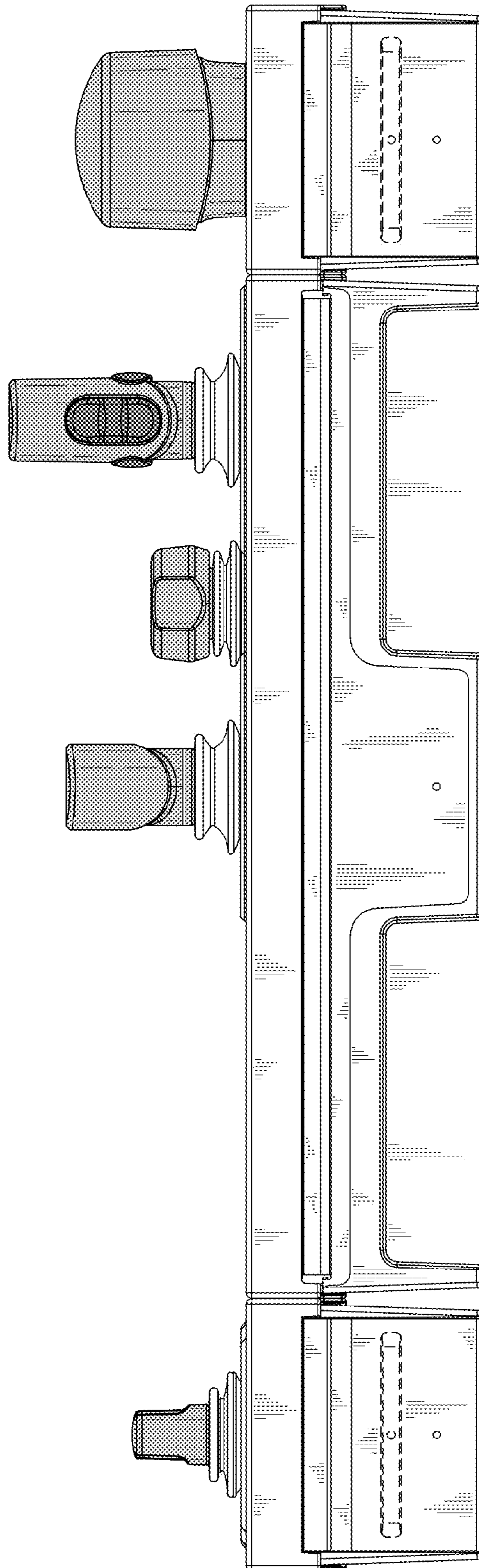




FIG. 24

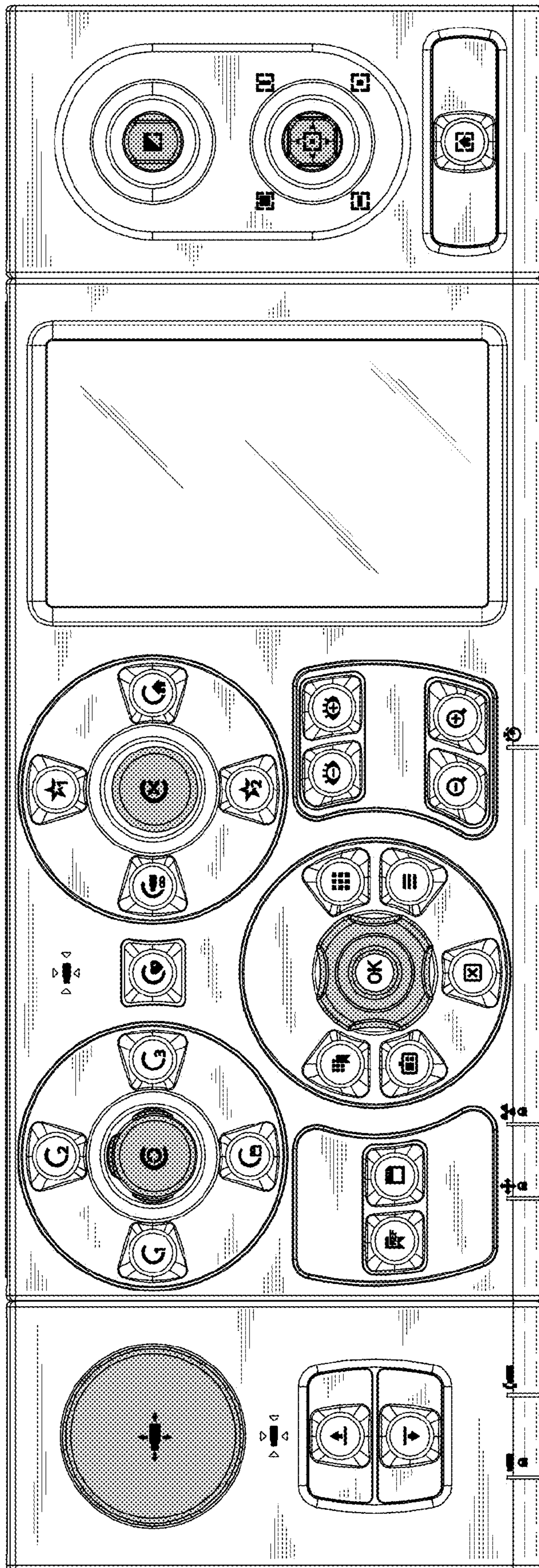




FIG. 25

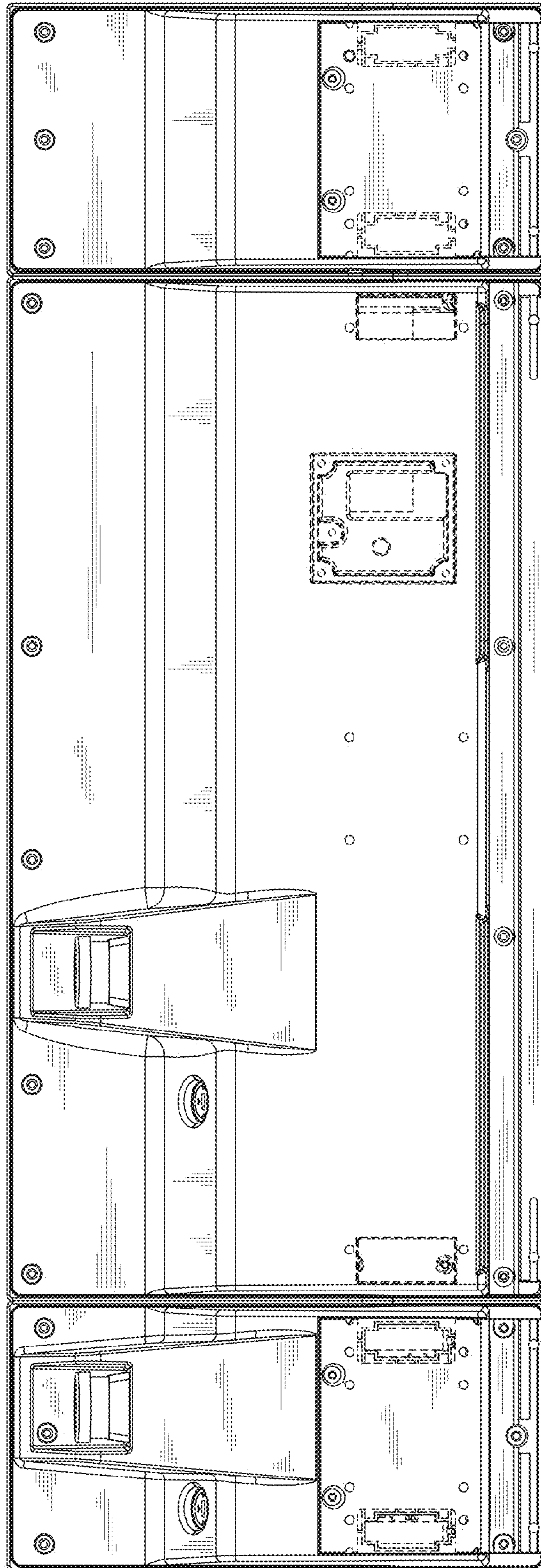


FIG. 26

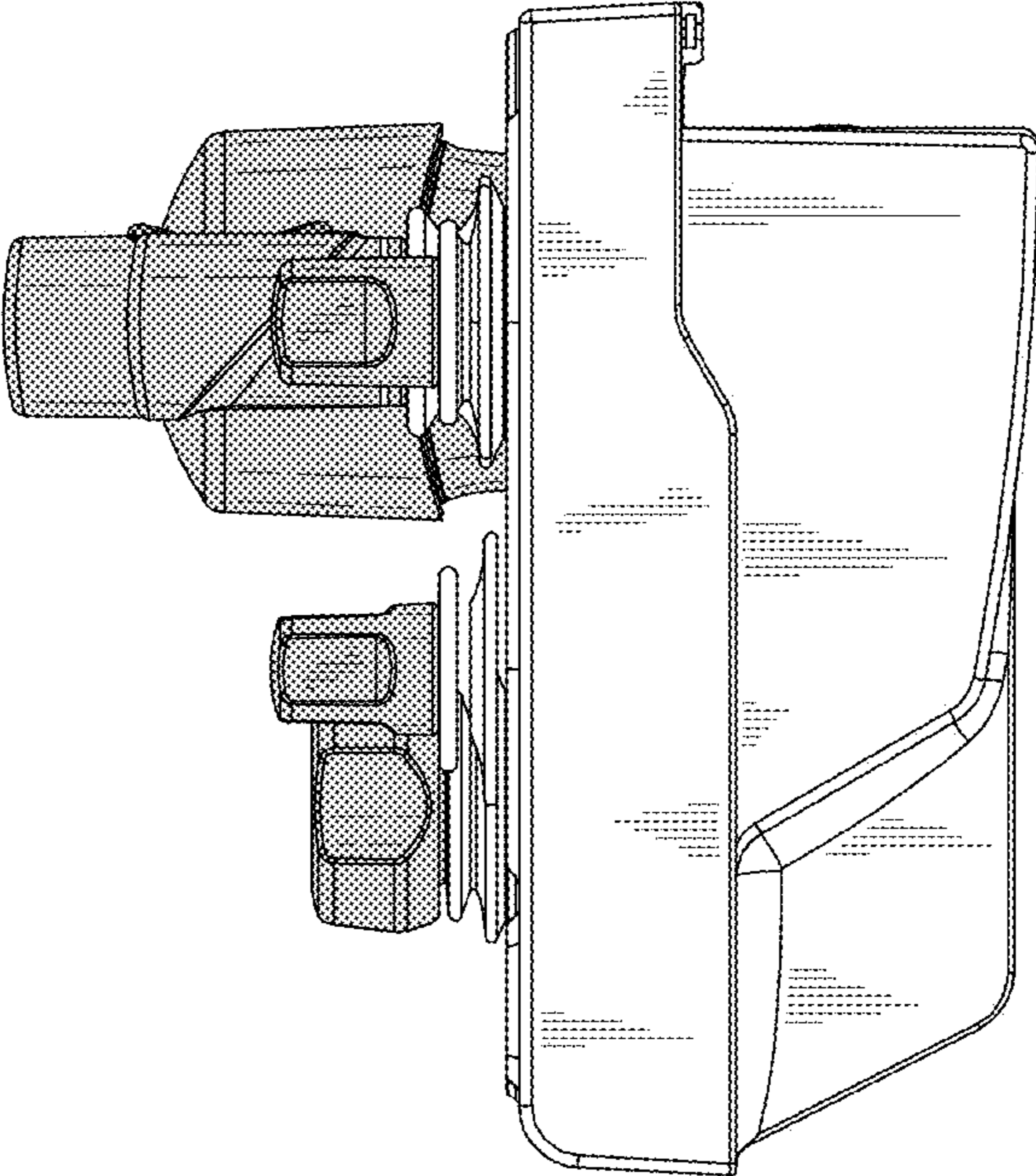


FIG. 27

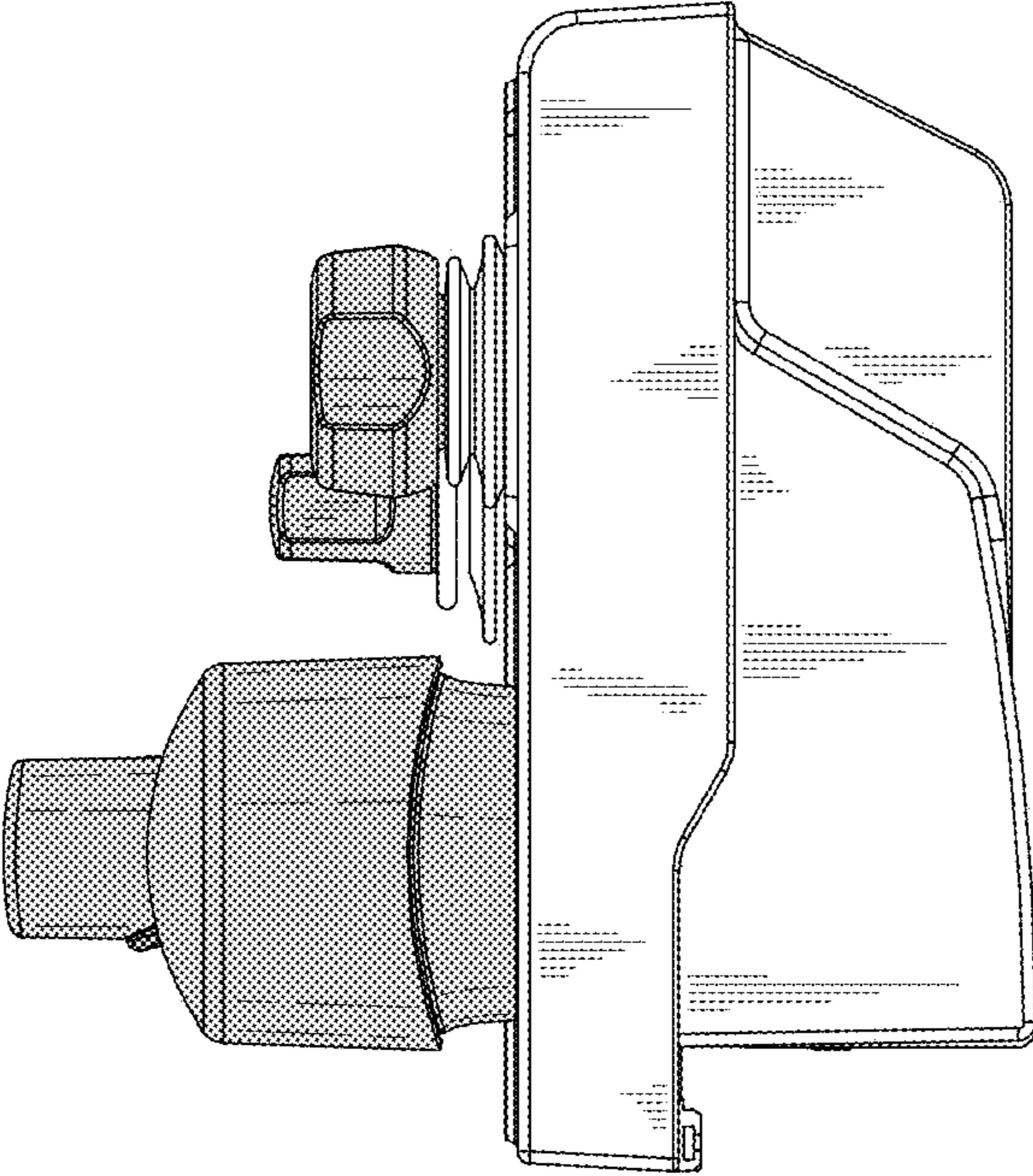




FIG. 28

