



US00D896961S

(12) **United States Design Patent**
Mesa

(10) **Patent No.:** **US D896,961 S**
(45) **Date of Patent:** **** Sep. 22, 2020**

(54) **MALE INCONTINENCE DEVICE**
(71) Applicant: **MERA MEDICAL SOLUTIONS, S.L.,** Gipuzkoa (ES)
(72) Inventor: **Pedro Tomé Mesa,** Gipuzkoa (ES)

D695,100 S * 12/2013 Whitaker D8/396
D767,761 S * 9/2016 Babb D24/143
D873,651 S * 1/2020 Bancroft D8/395
10,624,728 B2 * 4/2020 Velez Wiesner A61F 2/0054
2004/0129277 A1 * 7/2004 Parkes A61F 2/0054
128/885

(**) Term: **15 Years**

(21) Appl. No.: **35/506,876**

(22) Filed: **Jan. 29, 2019**

(80) **Hague Agreement Data**

Int. Filing Date: **Jan. 29, 2019**
Int. Reg. No.: **DM/201285**
Int. Reg. Date: **Jan. 29, 2019**
Int. Reg. Pub. Date: **Jun. 14, 2019**

(51) **LOC (12) Cl.** **24-02**

(52) **U.S. Cl.**
USPC **D24/143**

(58) **Field of Classification Search**
USPC D24/128, 133, 143; D8/390, 395
CPC A61F 2/0054
See application file for complete search history.

(56) **References Cited**

U.S. PATENT DOCUMENTS

3,913,187 A * 10/1975 Okuda F16L 3/1075
24/484
D272,186 S * 1/1984 Peck D24/143
D400,782 S * 11/1998 Nakamura D8/395
5,846,255 A * 12/1998 Casey A61B 17/122
606/157
D447,564 S * 9/2001 Stewart, Jr. D24/143
6,349,727 B1 * 2/2002 Stewart, Jr. A61B 17/122
128/885
7,658,194 B2 * 2/2010 Anderson A61F 2/0054
128/885
D659,827 S * 5/2012 Stringham D24/143

OTHER PUBLICATIONS

“(Translated) Harex: Premium Device for Male Urinary Incontinence”. Found online May 13, 2020 at facebook.com. Reference dated May 20, 2019. Retrieved from <https://www.facebook.com/harexdevice/photos/a.2378965355716582/2378965332383251/?type=3&theater>.
“Wiesner Incontinence Clamp”. Found online May 13, 2020 at amazon.com. Reference dated Dec. 2, 2013. Retrieved from https://www.amazon.com/WIESNER-Incontinence-Clamp-Penile-Regular/dp/B00F3HZJ74/ref=cm_cr_ar_p_d_product_top?ie=UTF8.
“Bard Cunningham Male Incontinence Clamp”. Found online May 13, 2020 at amazon.com. Reference dated Nov. 8, 2014. Retrieved from <https://www.amazon.com/Bard-Cunningham-Incontinence-Clamp-Large/dp/B0015TH2VK>.

* cited by examiner

Primary Examiner — Kendra Leslie Hamilton

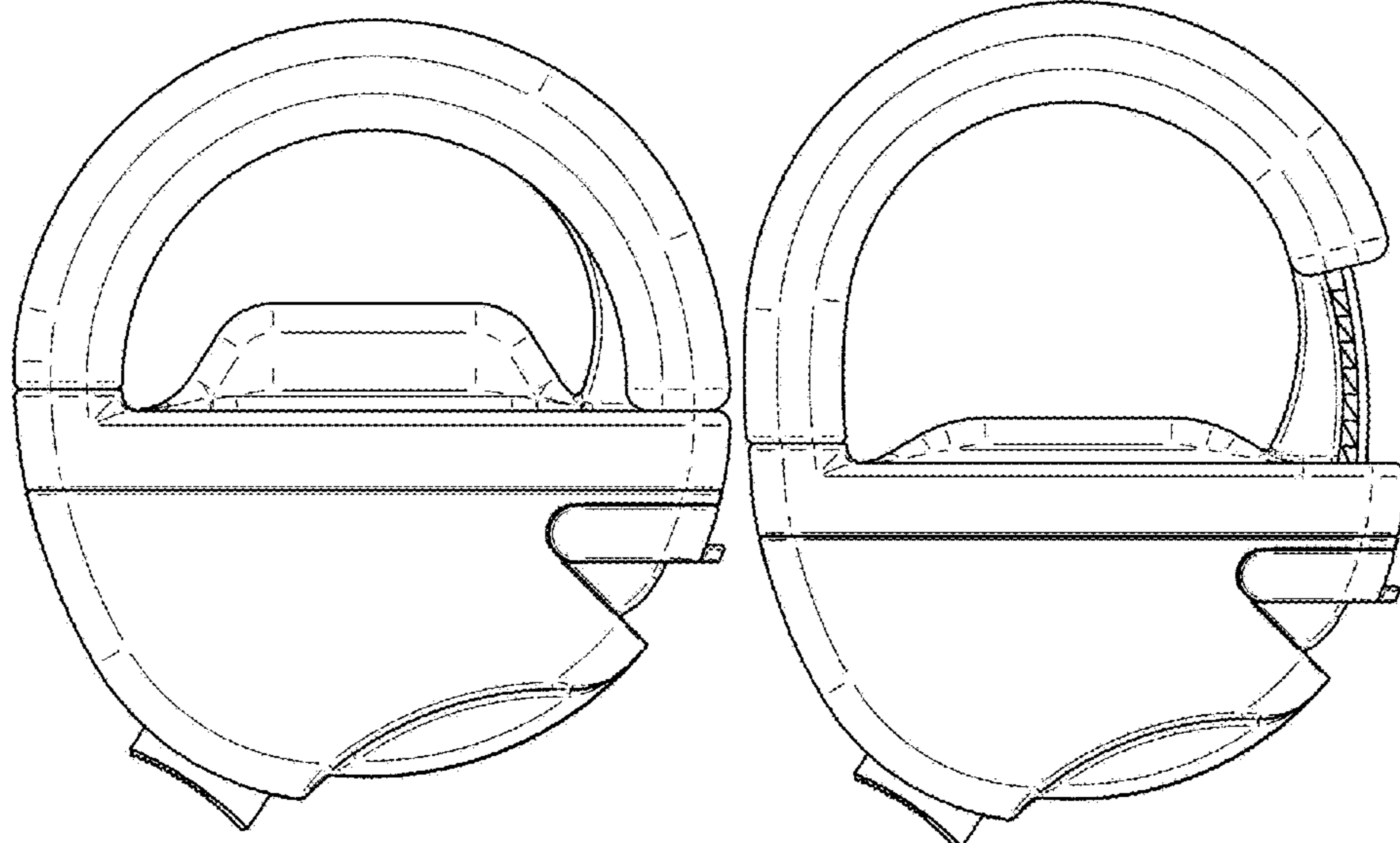
(57) **CLAIM**

The ornamental design for male incontinence device, as shown and described.

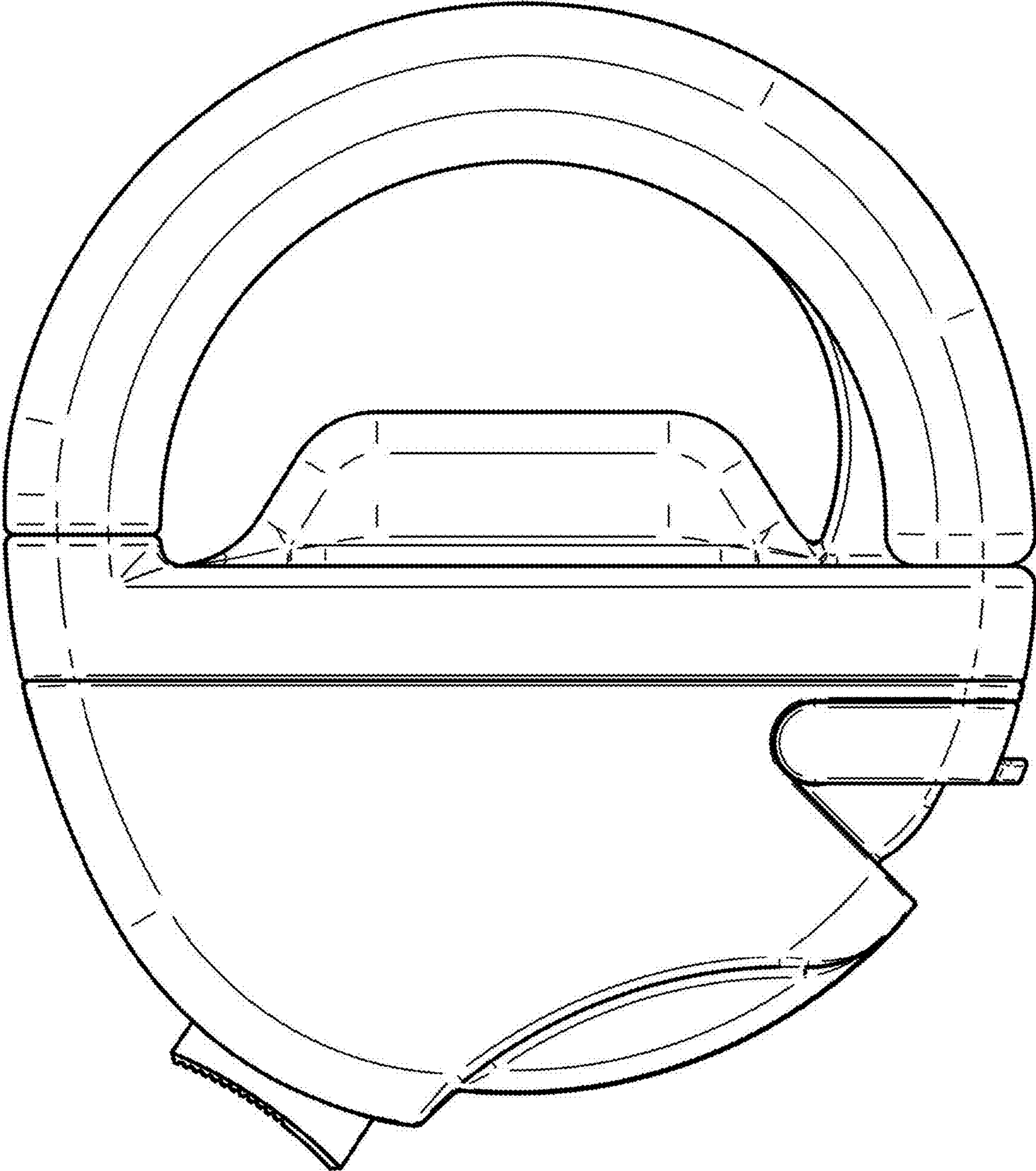
DESCRIPTION

1. Male incontinence device
1.1 : Front elevation, in a first configuration
1.2 : Right side elevation, thereof
1.3 : Left side elevation, thereof
1.4 : Bottom plan, thereof
1.5 : Top plan view, thereof
1.6 : Top, front, right perspective, thereof
1.7 : Front elevation, in a second configuration
1.8 : Top, front, right perspective, thereof
The device is used as a pressure element at the base of the penis to alleviate male incontinence.

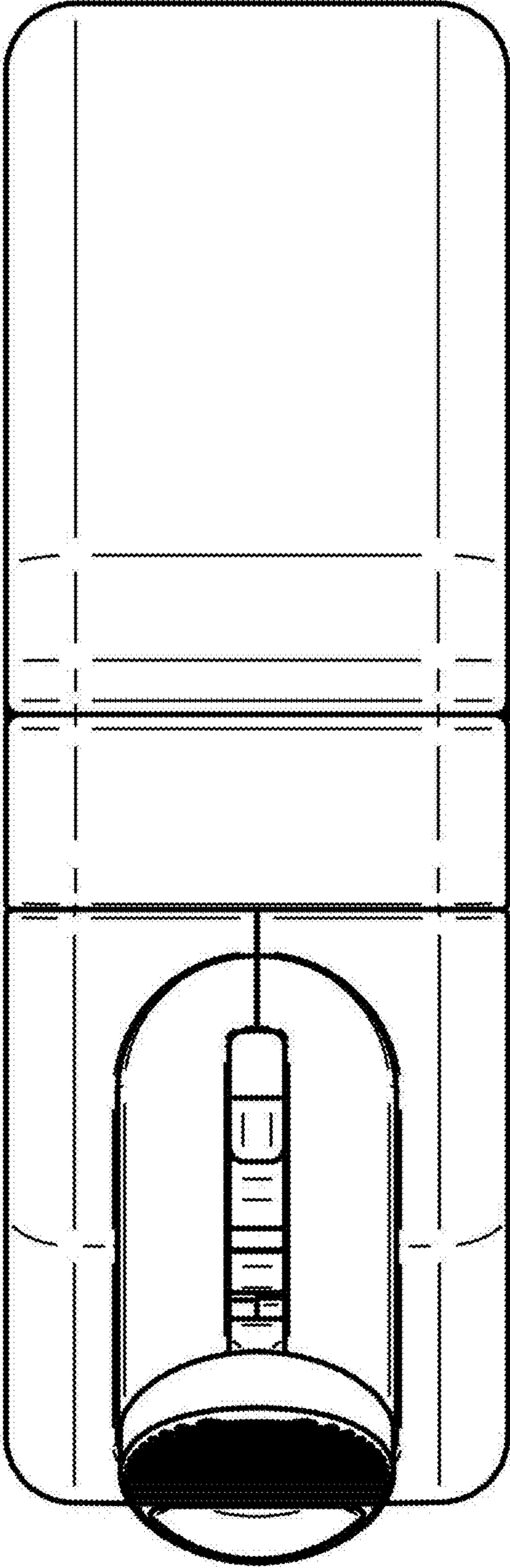
1 Claim, 8 Drawing Sheets



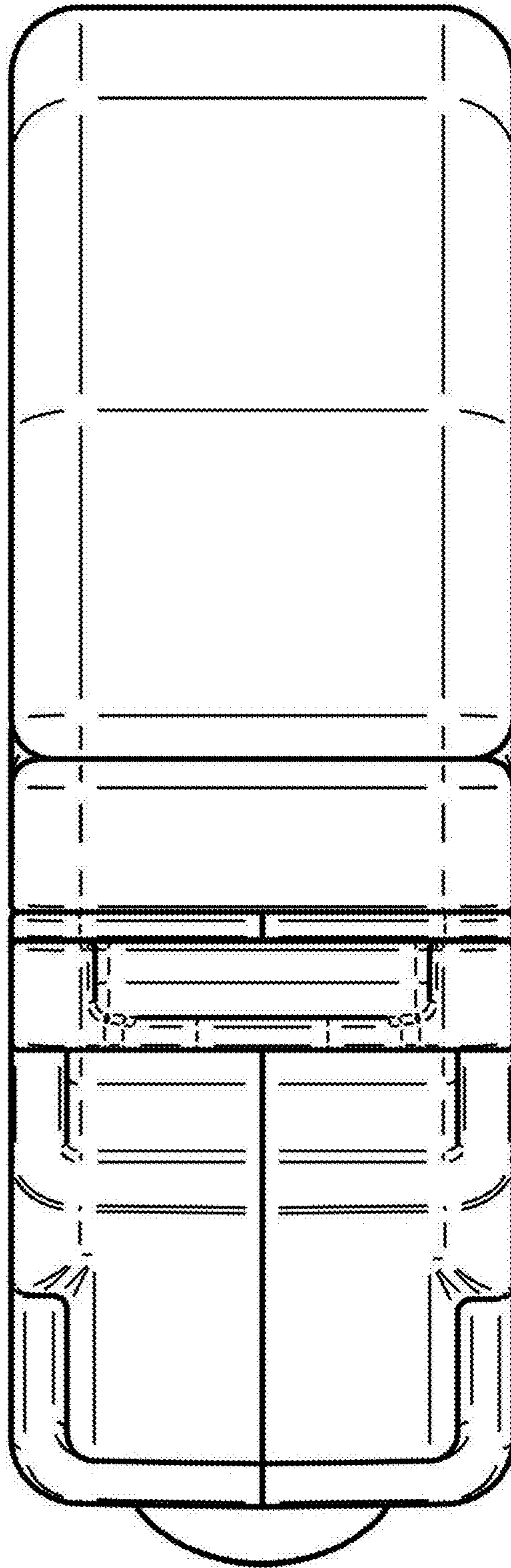
1.1



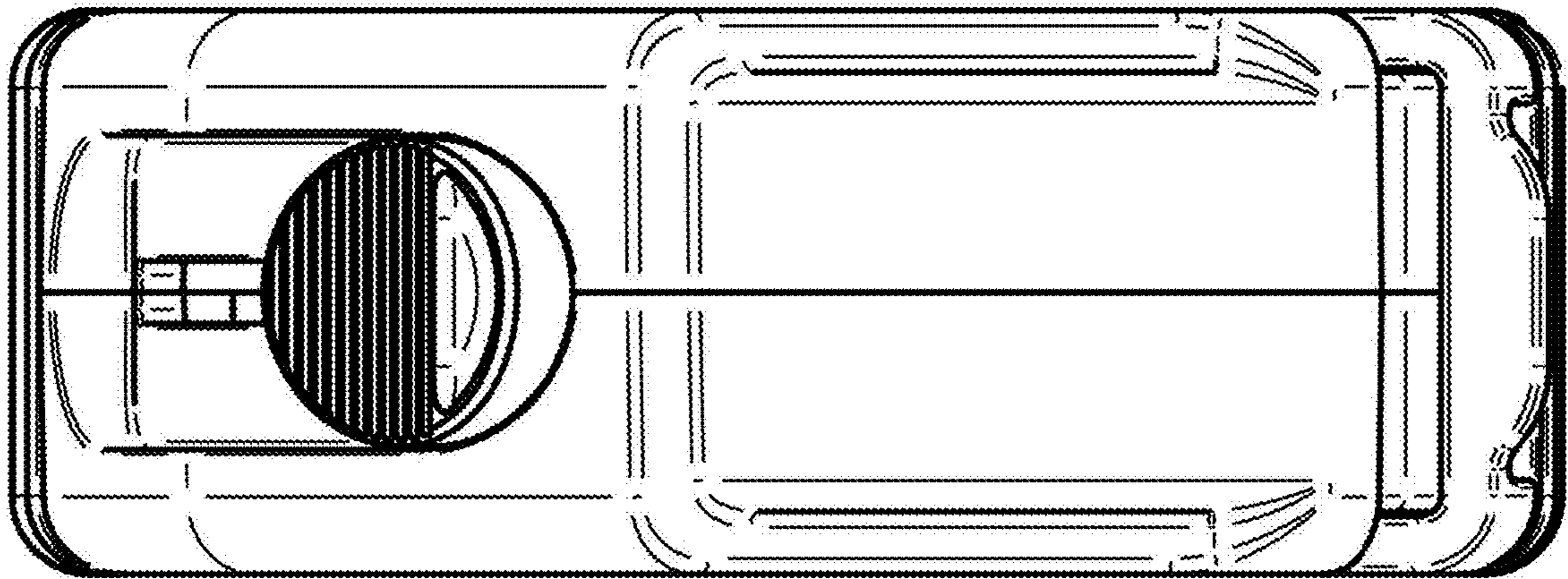
1.2



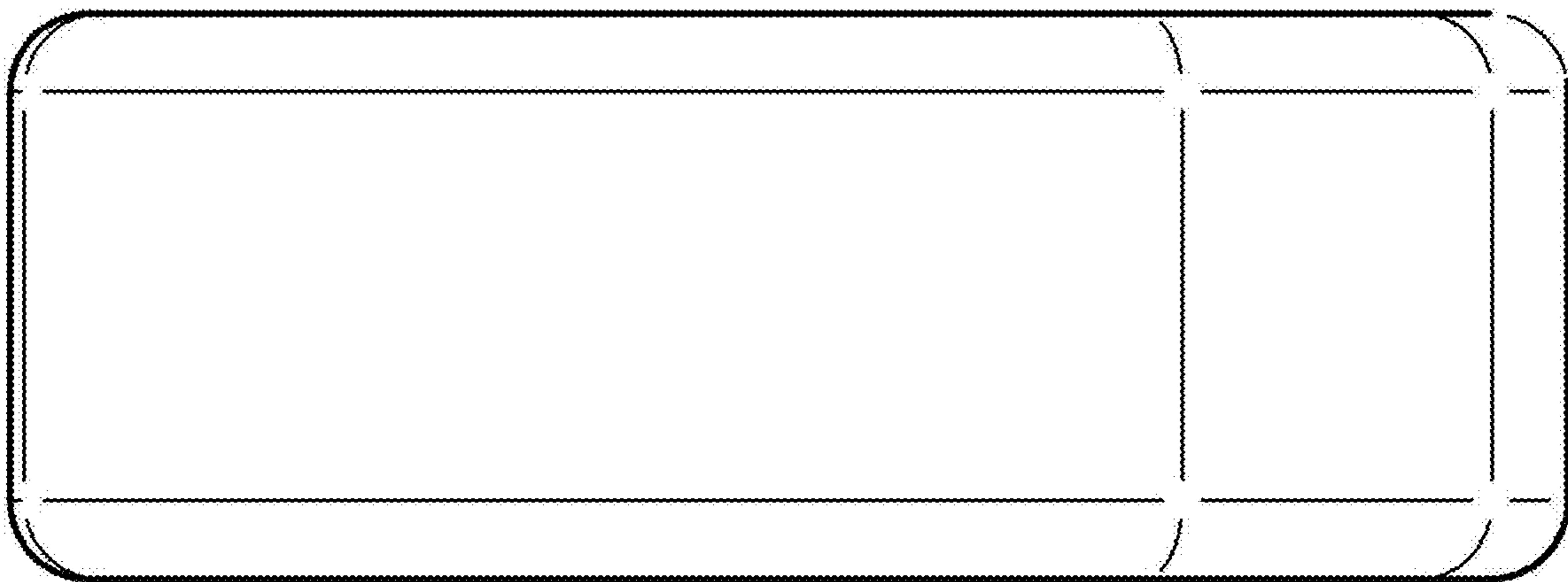
1.3



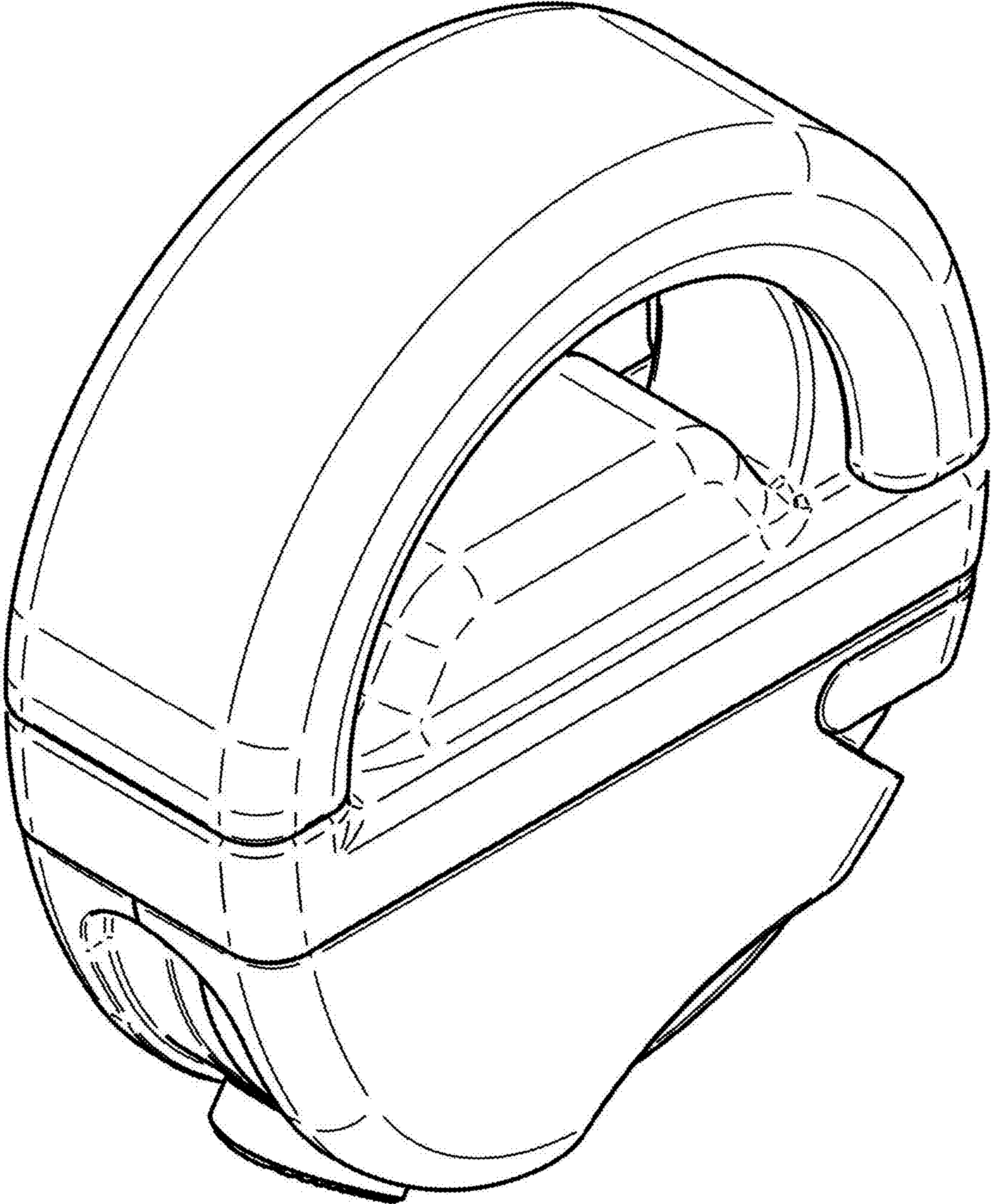
1.4



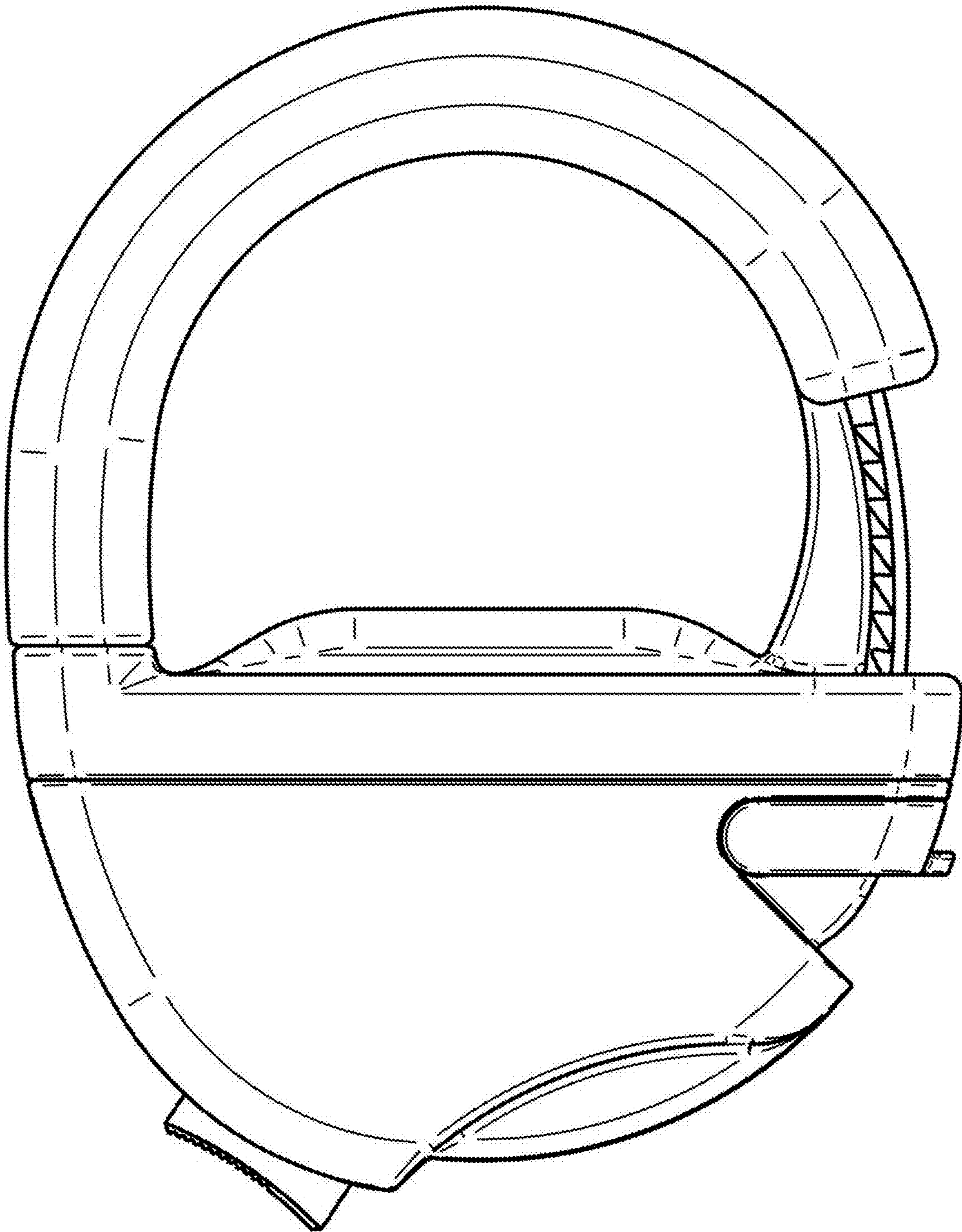
1.5



1.6



1.7



1.8

