



US00D896960S

(12) **United States Design Patent** (10) **Patent No.:** **US D896,960 S**  
**Marcus** (45) **Date of Patent:** **\*\* Sep. 22, 2020**

(54) **BLOOD OCCLUSION CUFF**  
(71) Applicant: **Occlusion X Pty Ltd**, Rosemeadow,  
NSW (AU)  
(72) Inventor: **Joseph Marcus**, Sydney (AU)  
(73) Assignee: **Vald Performance PTY LTD.**,  
Queensland (AU)

D735,873 S \* 8/2015 Brefka ..... D24/200  
D788,626 S \* 6/2017 Song ..... D11/4  
D811,614 S \* 2/2018 Marton ..... D24/190  
D821,595 S \* 6/2018 Ito ..... D24/200  
D841,178 S \* 2/2019 Lazarides ..... D24/215  
D845,812 S \* 4/2019 Green ..... D11/3  
D846,131 S \* 4/2019 Cain ..... D24/191  
D847,355 S \* 4/2019 Mishan ..... D24/190  
D855,488 S \* 8/2019 Jablonski ..... D11/3  
D855,815 S \* 8/2019 Rokitta ..... D24/190  
2014/0309709 A1\* 10/2014 Gozani ..... A61N 1/36021  
607/46

(\*\*) Term: **15 Years**

(Continued)

(21) Appl. No.: **29/643,508**

OTHER PUBLICATIONS

(22) Filed: **Apr. 9, 2018**

Vimeo. Occlusion X | Corporate Promo video by Benny Kaz Films.  
Mar. 6, 2015. <https://vimeo.com/121435270> (Year: 2015).\*

(30) **Foreign Application Priority Data**

(Continued)

Oct. 11, 2017 (AU) ..... 201716218  
(51) **LOC (12) Cl.** ..... **24-02**  
(52) **U.S. Cl.**  
USPC ..... **D24/143; D24/190**  
(58) **Field of Classification Search**  
USPC ..... D24/188-194, 199, 200, 206, 212-215,  
D24/143; D11/3, 4; D14/344  
CPC ..... A63B 21/0085; A63B 21/4025  
See application file for complete search history.

*Primary Examiner* — Darcey E Gottschalk  
(74) *Attorney, Agent, or Firm* — Cooper & Dunham LLP

(56) **References Cited**

(57) **CLAIM**

The ornamental design for a blood occlusion cuff, as shown  
and described.

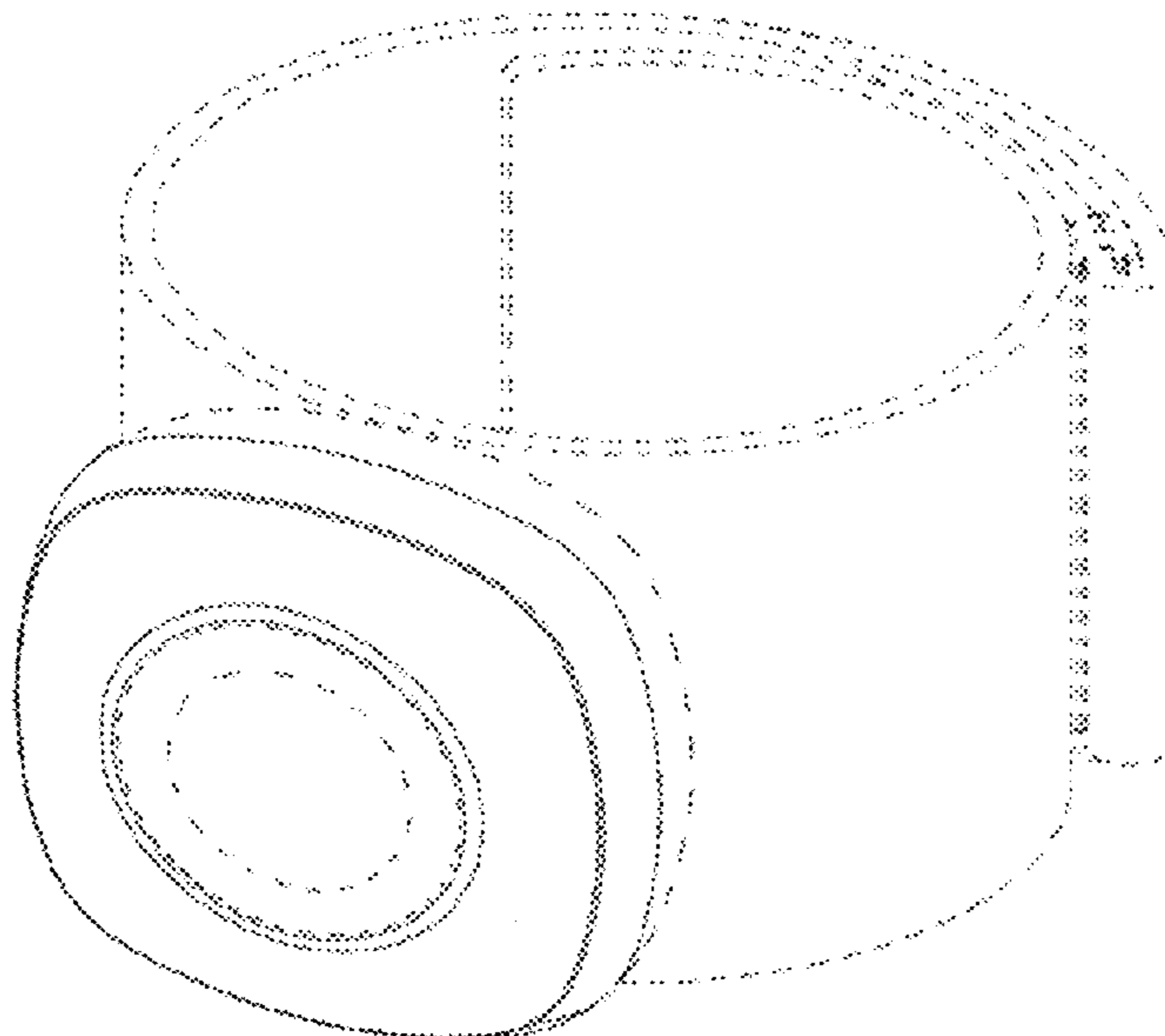
U.S. PATENT DOCUMENTS

**DESCRIPTION**

2,576,024 A \* 11/1951 Laser ..... A61F 5/41  
602/61  
3,461,863 A \* 8/1969 Sullinger ..... A61F 5/41  
600/41  
D272,186 S \* 1/1984 Peck ..... D24/143  
4,930,767 A \* 6/1990 Hamm ..... A63B 21/0552  
482/124  
D435,911 S \* 1/2001 Yeager ..... D24/206  
D706,938 S \* 6/2014 Weaver, II ..... D24/190  
D706,939 S \* 6/2014 Weaver, II ..... D24/190  
D716,457 S \* 10/2014 Brefka ..... D24/186

FIG. 1 is an isometric view of the blood occlusion cuff  
showing my new design;  
FIG. 2 is an isometric view thereof;  
FIG. 3 is a front view thereof;  
FIG. 4 is a top view thereof;  
FIG. 5 is a bottom view thereof;  
FIG. 6 is a right view thereof; and,  
FIG. 7 is a left view thereof.  
In the drawings, the broken lines show portions of a blood  
occlusion cuff that form no part of the claim.  
The outermost of the two circular broken lines in FIGS. 1-3  
represents an inner bound of the claimed design.

**1 Claim, 7 Drawing Sheets**



(56)

**References Cited**

U.S. PATENT DOCUMENTS

2017/0368345 A1\* 12/2017 Kong ..... A61N 1/36021  
2018/0213895 A1\* 8/2018 Green ..... A44C 5/0053

OTHER PUBLICATIONS

Amazon. TAVIEW Occlusion Bands,2 Pack, Leg Builder Muscle Exercise Straps for Blood Flow Restriction Training, Occlusion Cuffs Optimized for Quads, Hamstrings, and Calves,Gain Fast Muscle Growth. No date specified. <https://amzn.to/2ZsupcX> (Year: 0).\*

\* cited by examiner

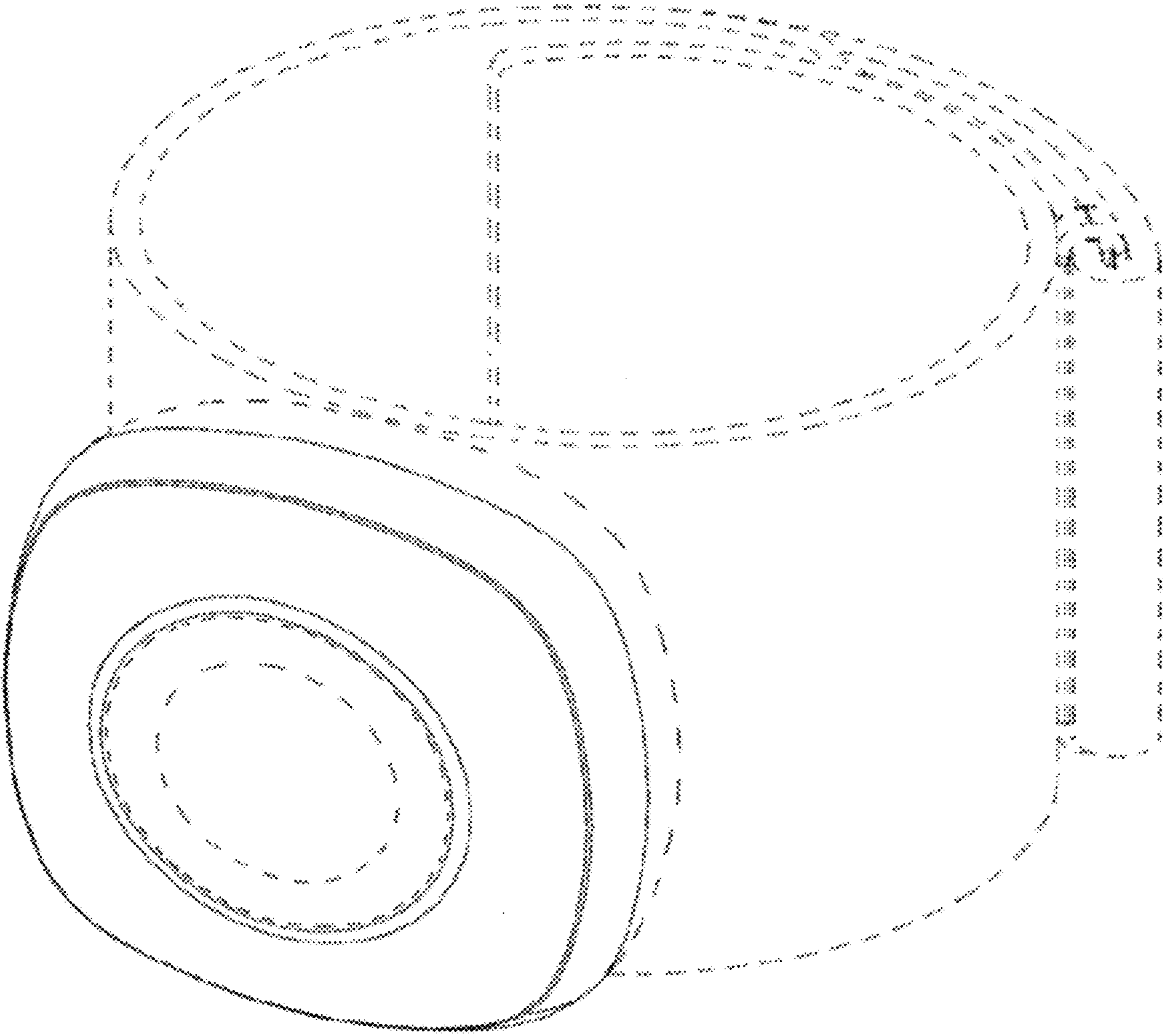


Figure 1

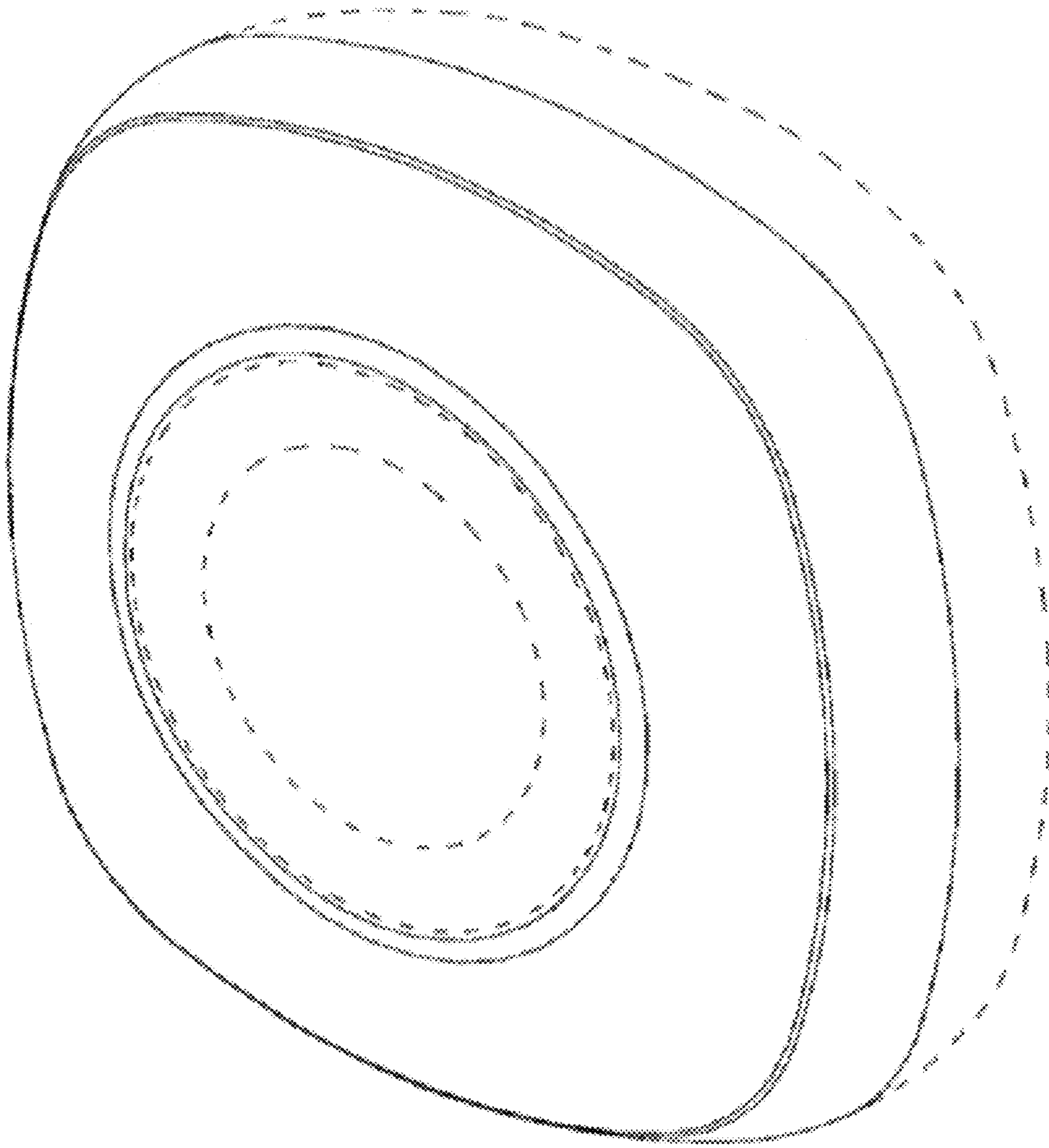


Figure 2



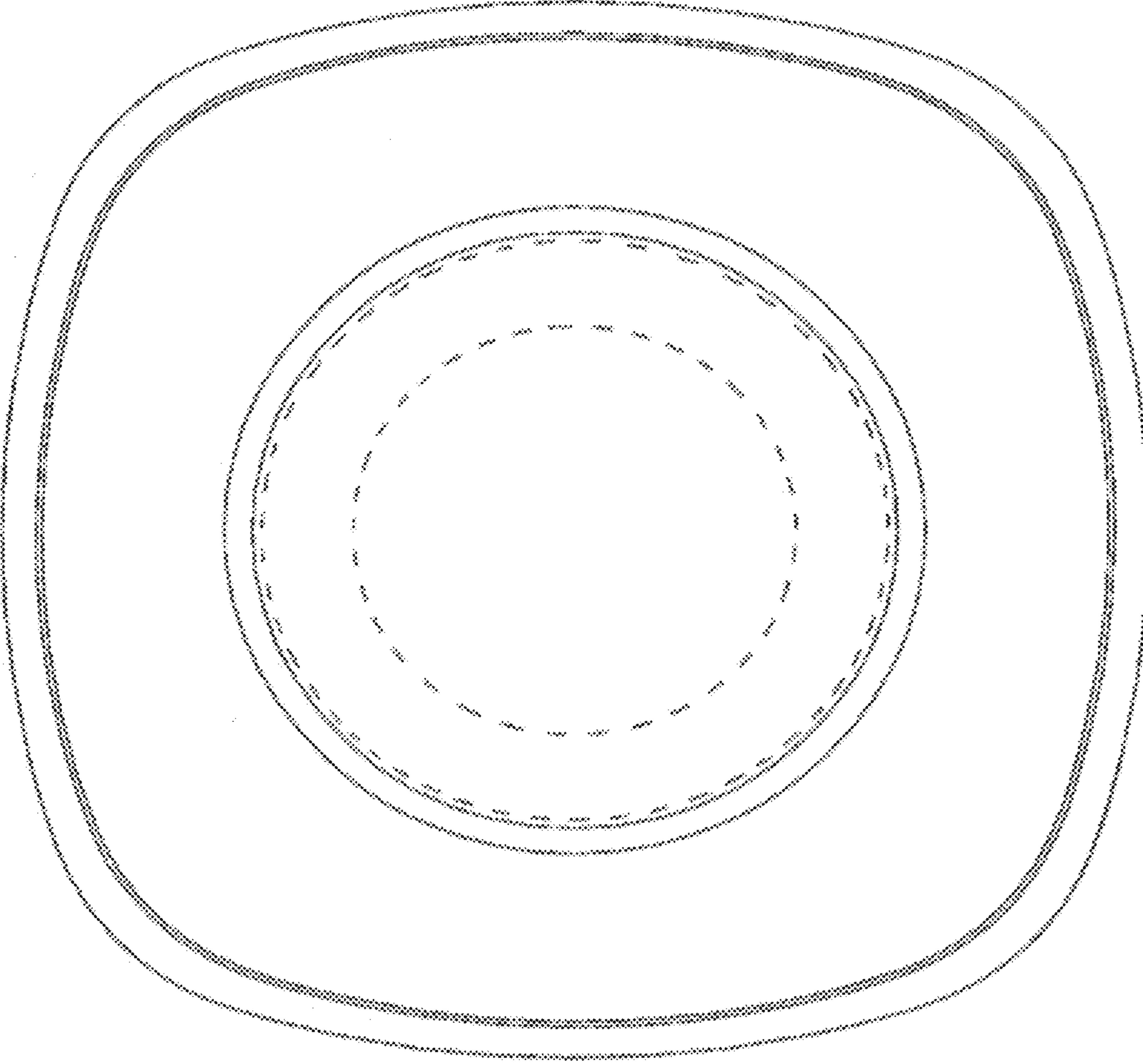


Figure 3

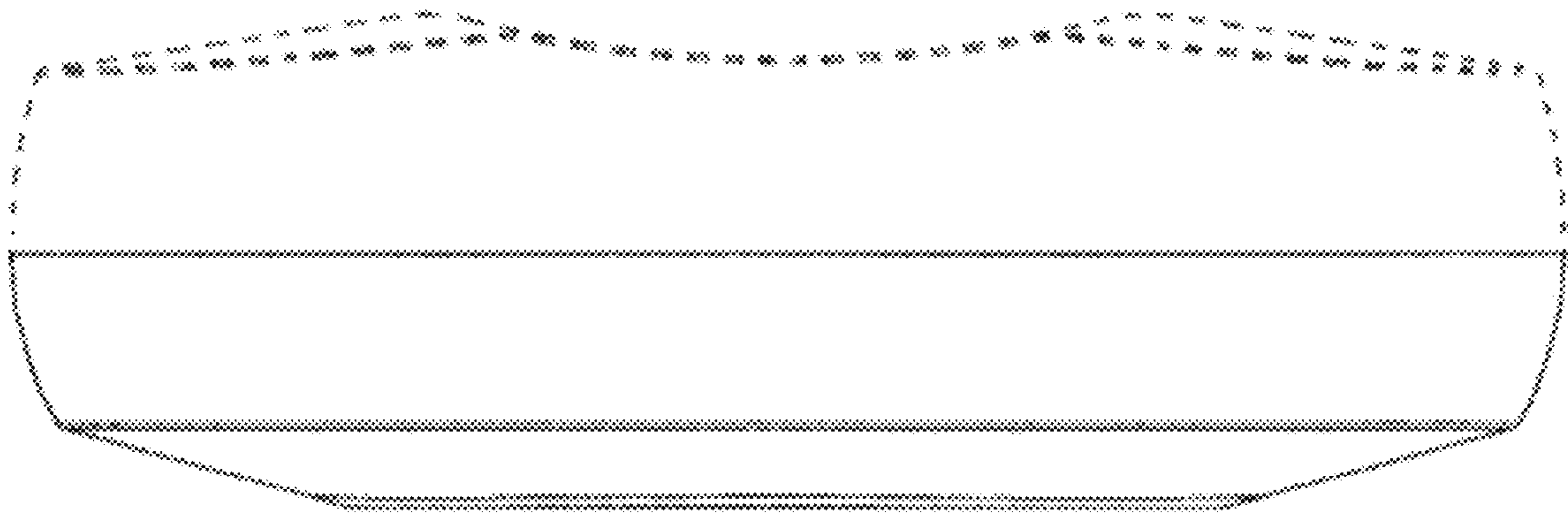


Figure 4

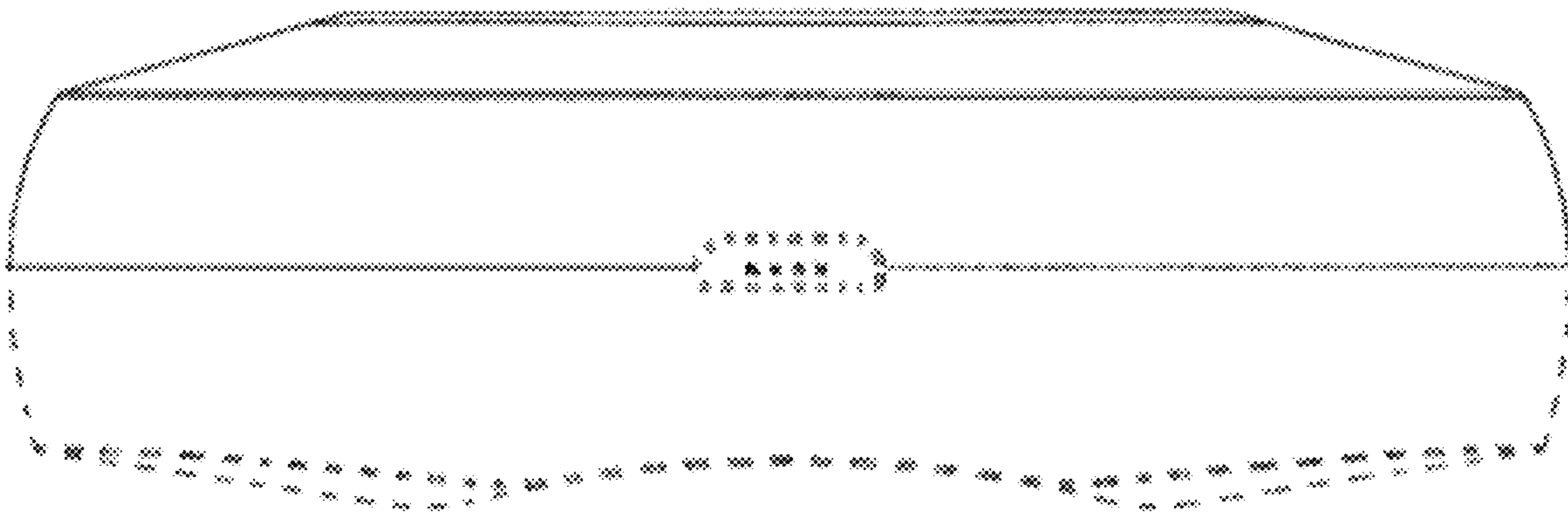


Figure 5

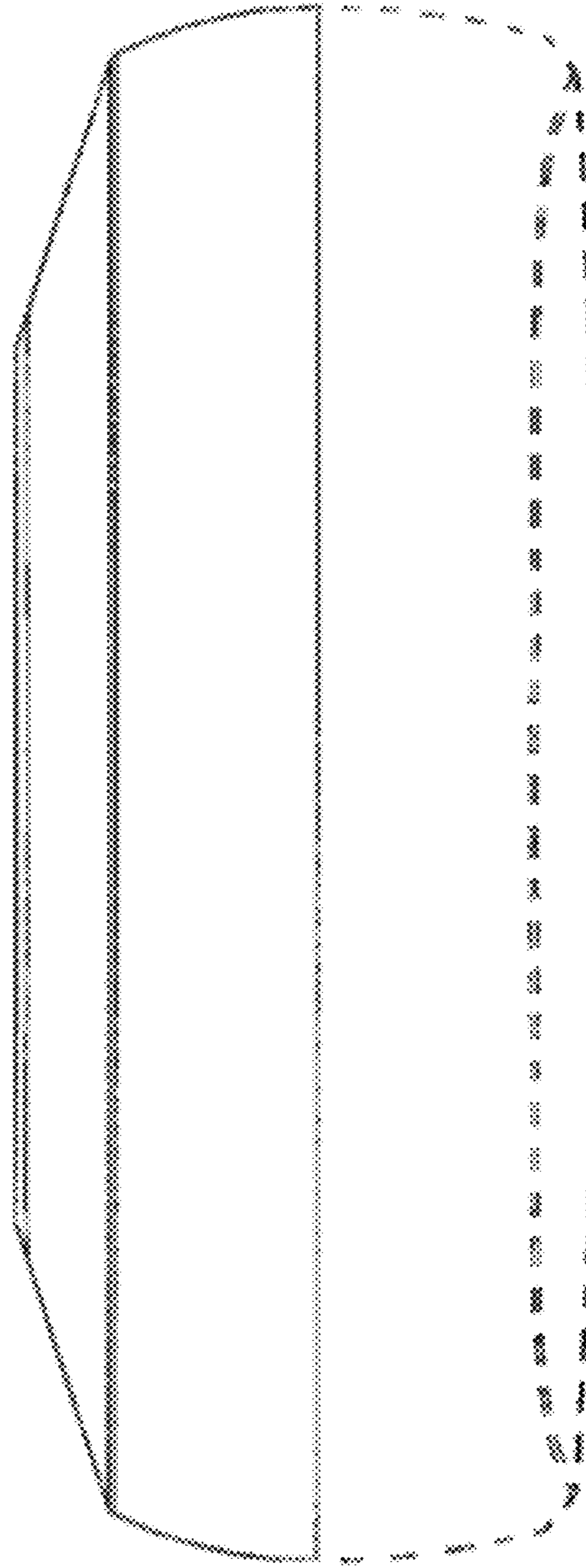


Figure 6



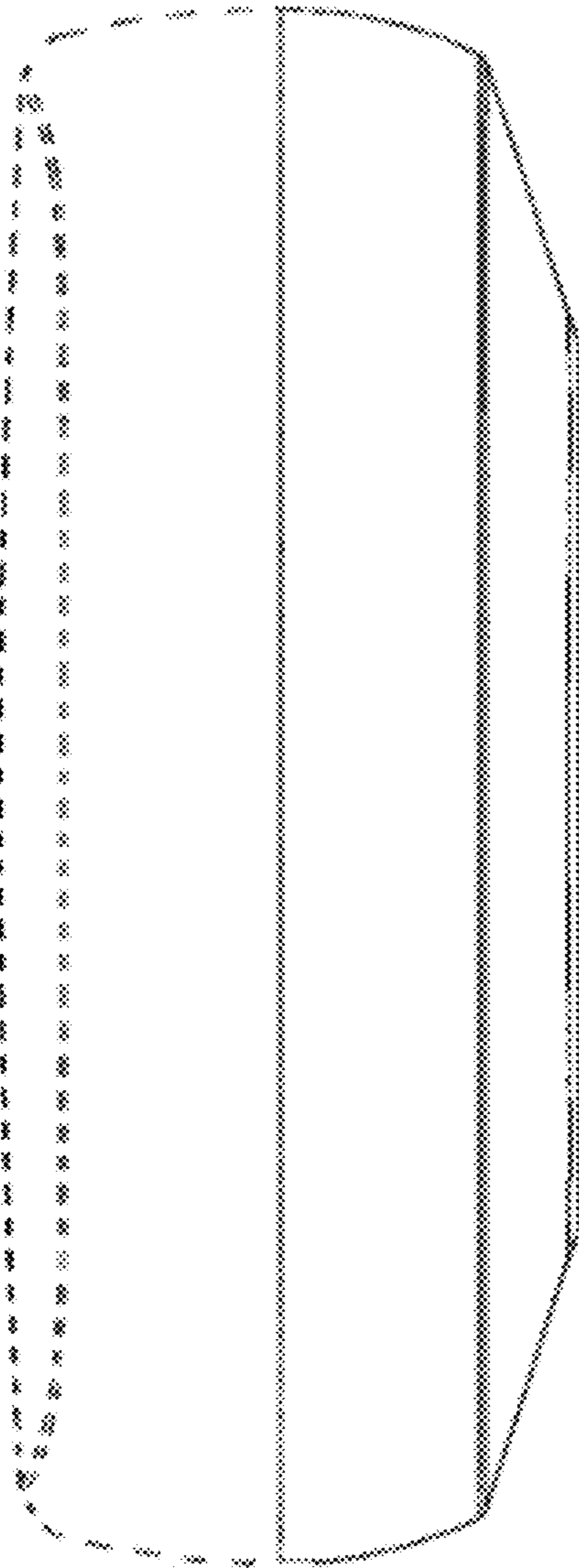


Figure 7