



US00D896956S

(12) **United States Design Patent** (10) **Patent No.:** **US D896,956 S**
Harder et al. (45) **Date of Patent:** **** Sep. 22, 2020**

(54) **SURGICAL HOOK FOR A CRICOTHYROTOMY**
(71) Applicant: **H&H Medical Corporation**, Williamsburg, VA (US)
(72) Inventors: **Paul X. Harder**, Williamsburg, VA (US); **Robert H. B. Harder**, Williamsburg, VA (US)
(73) Assignee: **H&H MEDICAL CORPORATION**, Williamsburg, VA (US)
(**) Term: **15 Years**
(21) Appl. No.: **29/680,022**
(22) Filed: **Feb. 12, 2019**
(51) **LOC (12) Cl.** **24-02**
(52) **U.S. Cl.**
USPC **D24/135**
(58) **Field of Classification Search**
USPC D24/133, 135
CPC A61B 17/032; A61B 2018/1422; A61B 17/3211; A61M 16/0472
See application file for complete search history.

(56) **References Cited**
U.S. PATENT DOCUMENTS
D522,140 S * 5/2006 Stalcup D24/135
D523,142 S * 6/2006 Stalcup D24/135
D586,914 S * 2/2009 DaSilva D24/135
D589,145 S * 3/2009 Miller D24/135
D669,171 S * 10/2012 Boedeker D24/135

D724,207 S * 3/2015 Sutherland A61B 1/00126
D24/135
D776,274 S * 1/2017 Xue D24/135
D803,397 S * 11/2017 Malcolm D24/135
D852,952 S * 7/2019 Alexander D24/135
D859,653 S * 9/2019 Hartson D24/135
D875,928 S * 2/2020 Zagatsky D24/135
D877,330 S * 3/2020 McClunan D24/135
2014/0148837 A1 * 5/2014 Levitan A61B 17/3211
606/172

* cited by examiner
Primary Examiner — Bridget L Eland
(74) *Attorney, Agent, or Firm* — Nixon & Vanderhye P.C.

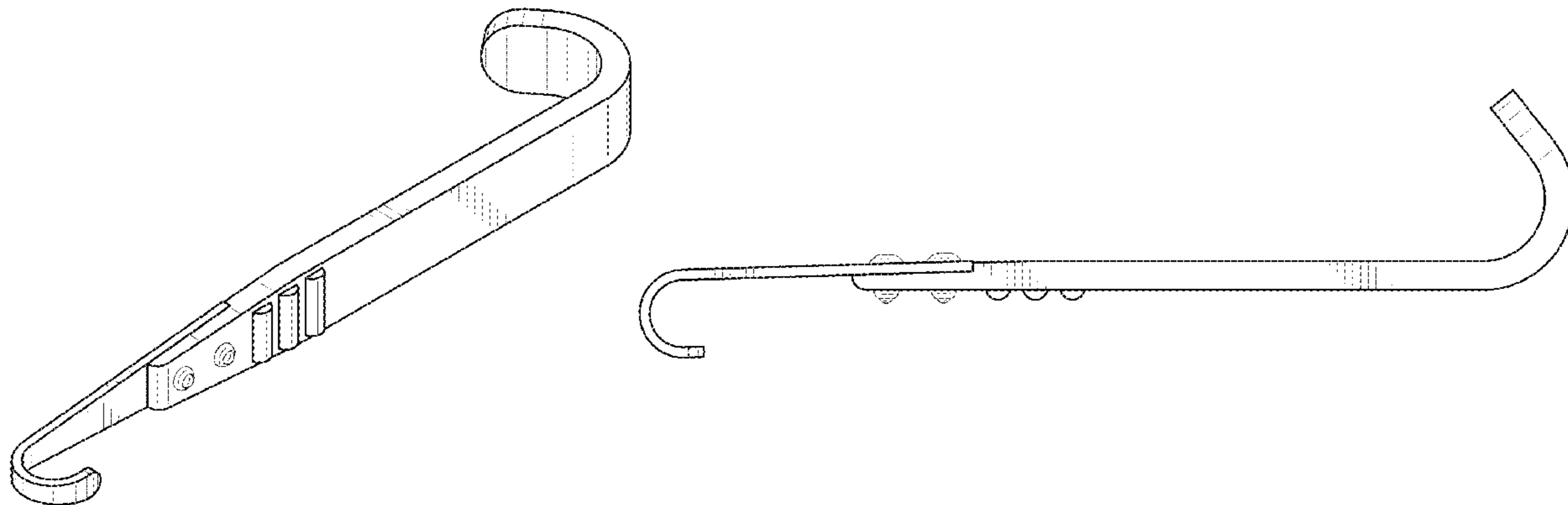
(57) **CLAIM**

The ornamental design for a surgical hook for a cricothyrotomy, as shown and described.

DESCRIPTION

FIG. 1 is a first perspective view of a surgical hook for a cricothyrotomy according to our new ornamental design; FIG. 2 is a second perspective view thereof; FIG. 3 is a front view thereof; FIG. 4 is a rear view thereof; FIG. 5 is a side view thereof, wherein the opposite side view is a mirror image of FIG. 5; FIG. 6 is a first end view thereof; and, FIG. 7 is a second end view thereof, opposite to the first end view.

1 Claim, 3 Drawing Sheets



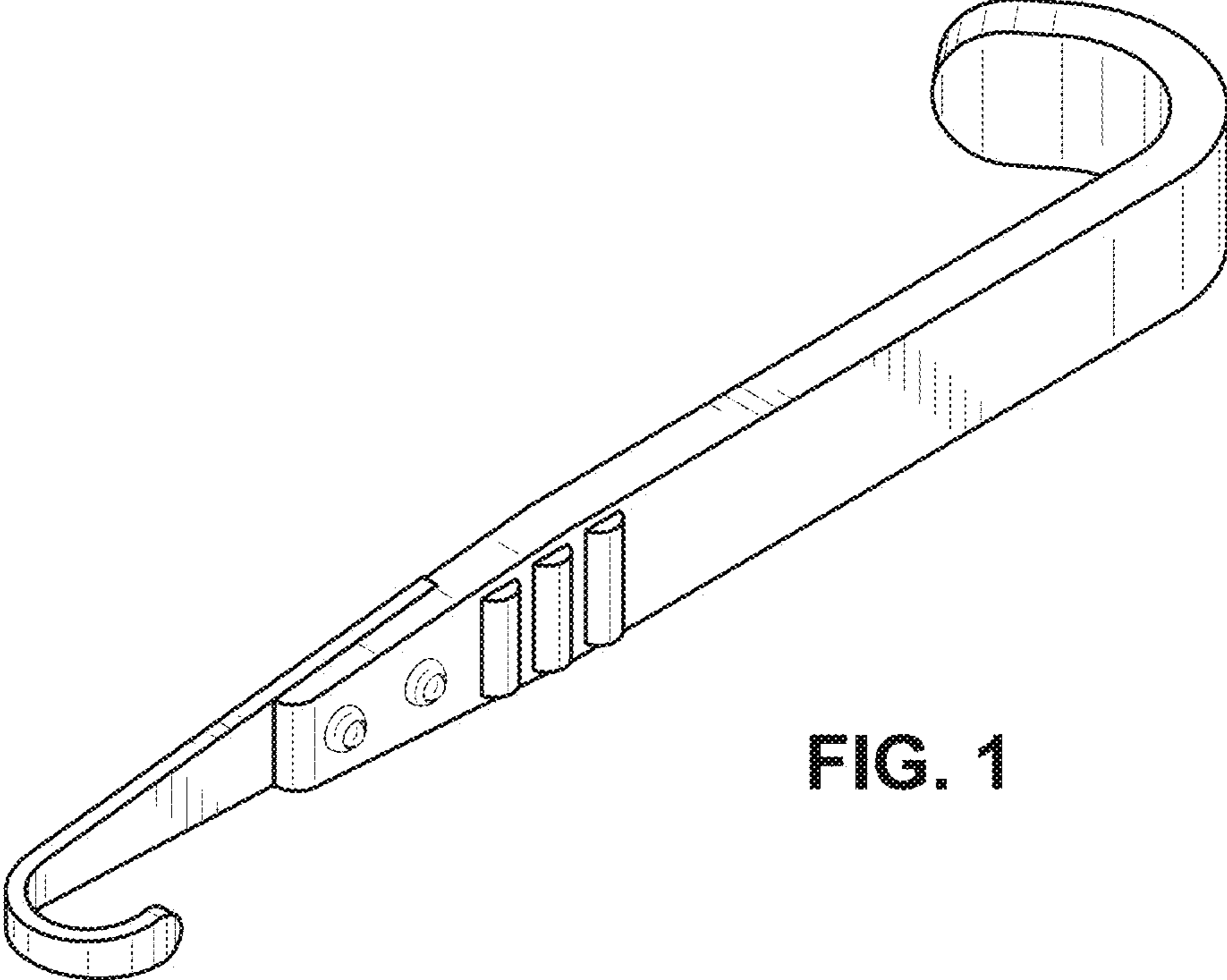


FIG. 1

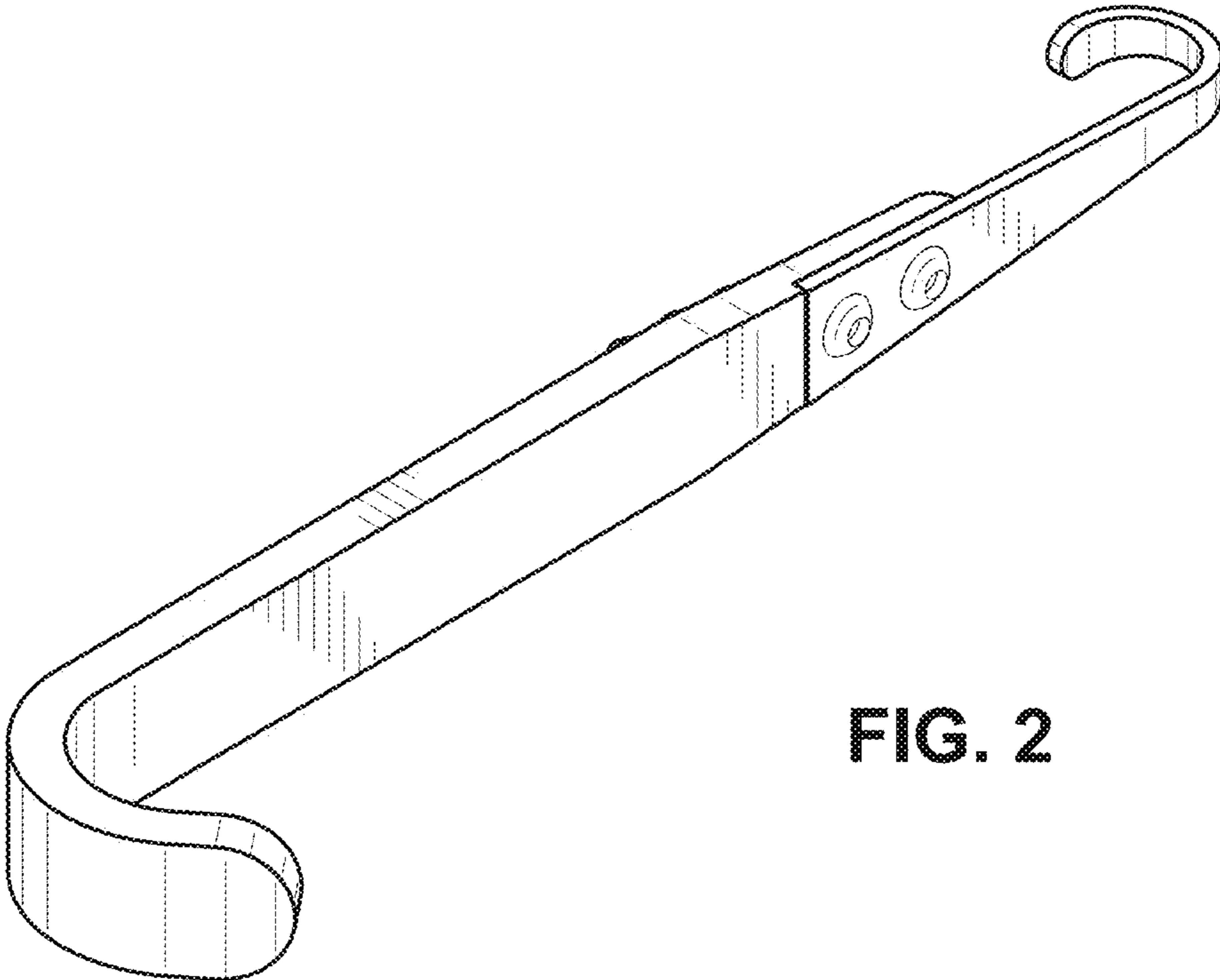


FIG. 2

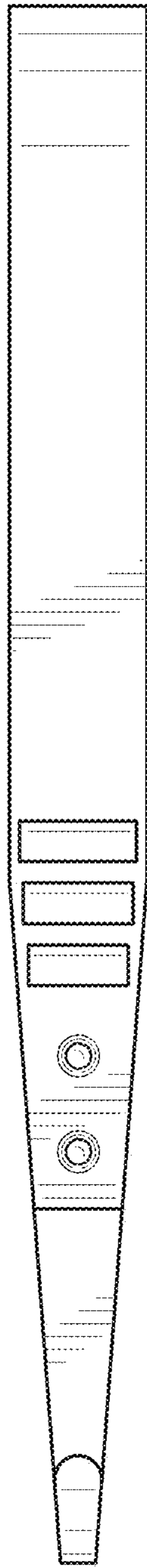


FIG. 3

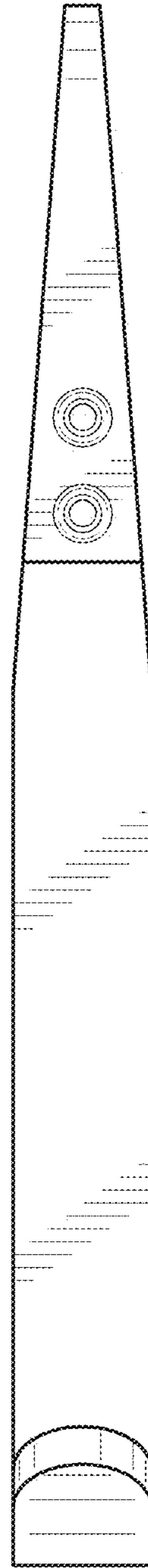


FIG. 4

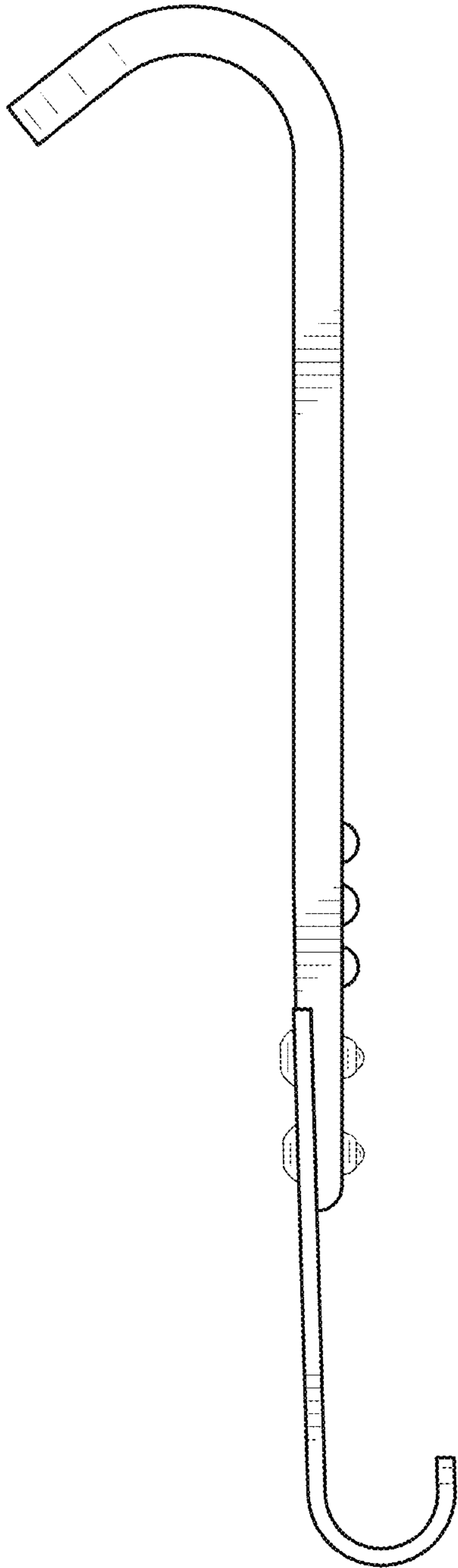


FIG. 5

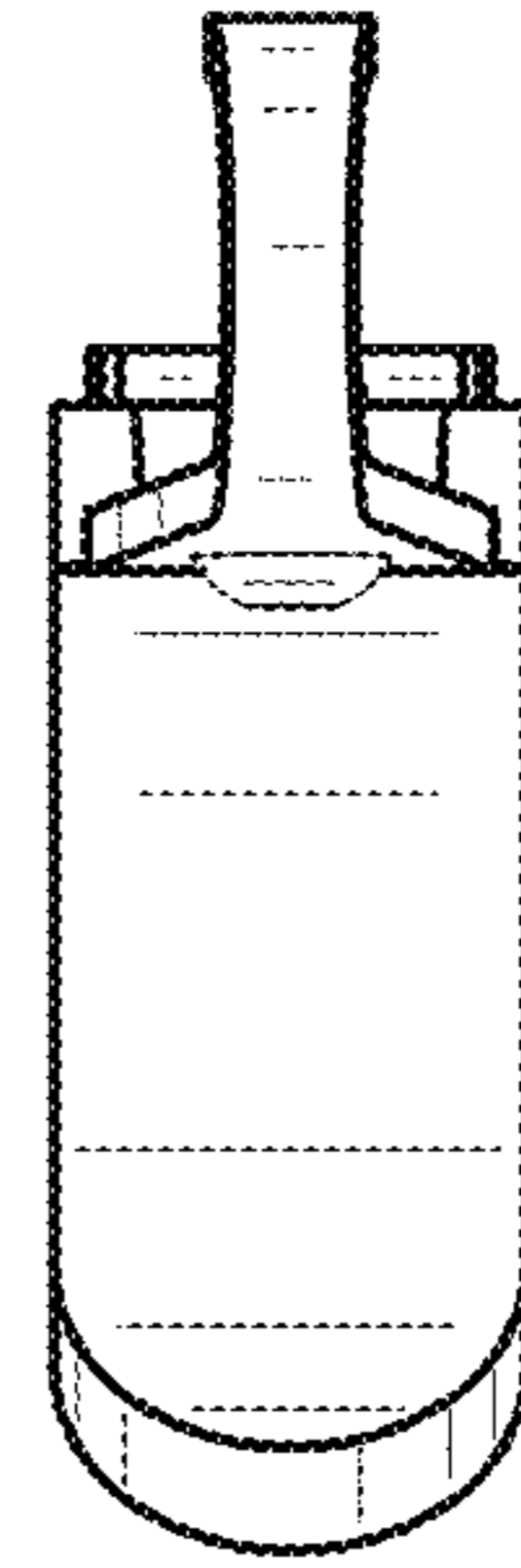


FIG. 7

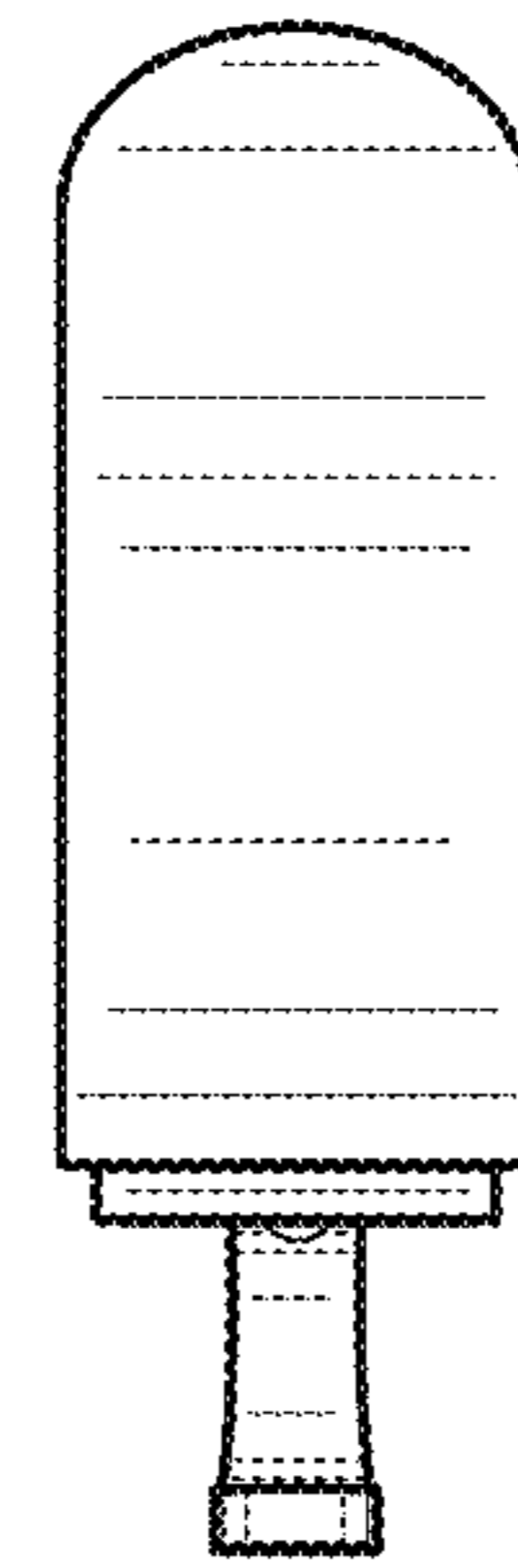


FIG. 6