



US00D896955S

(12) **United States Design Patent**
Wiechman

(10) **Patent No.:** **US D896,955 S**

(45) **Date of Patent:** **** Sep. 22, 2020**

(54) **RECEIVER FOR MEDICAL APPARATUS**

(71) Applicant: **Deborah A. Wiechman**, Millville, CA
(US)

(72) Inventor: **Deborah A. Wiechman**, Millville, CA
(US)

(**) Term: **15 Years**

(21) Appl. No.: **29/690,043**

(22) Filed: **May 3, 2019**

(51) **LOC (12) Cl.** **24-02**

(52) **U.S. Cl.**
USPC **D24/128; D8/373**

(58) **Field of Classification Search**
USPC D24/128, 108, 112, 113–114, 127, 133,
D24/137, 138, 143, 145; D6/540, 546,
D6/554, 556; D19/1; D22/108; D8/16,
D8/19, 300, 303, 372, 374, 314, 394
CPC A47G 7/045; A47G 7/044; A47G 7/047;
A47G 7/07; A61B 17/00; A61B 18/00;
A61B 1/0052; A01G 9/12
See application file for complete search history.

(56) **References Cited**

U.S. PATENT DOCUMENTS

D296,520 S * 7/1988 Spinetta 248/312
D347,538 S * 6/1994 Fleischer D28/73

D354,350 S * 1/1995 Pryor D24/128
D356,002 S * 3/1995 Morgan D6/552
D369,957 S * 5/1996 Blanton D26/138
D406,715 S * 3/1999 Badillo D6/524
D475,879 S * 6/2003 Thomas D6/552
D494,399 S * 8/2004 Rodriguez D6/567
D556,694 S * 12/2007 Sipe D13/152
D669,586 S * 10/2012 Meyer D24/155
D747,177 S * 1/2016 McGinty D8/349
D844,336 S * 4/2019 Tran D6/320
D845,115 S * 4/2019 James D8/373

* cited by examiner

Primary Examiner — Nathan M Johnston

(74) *Attorney, Agent, or Firm* — R. Michael West

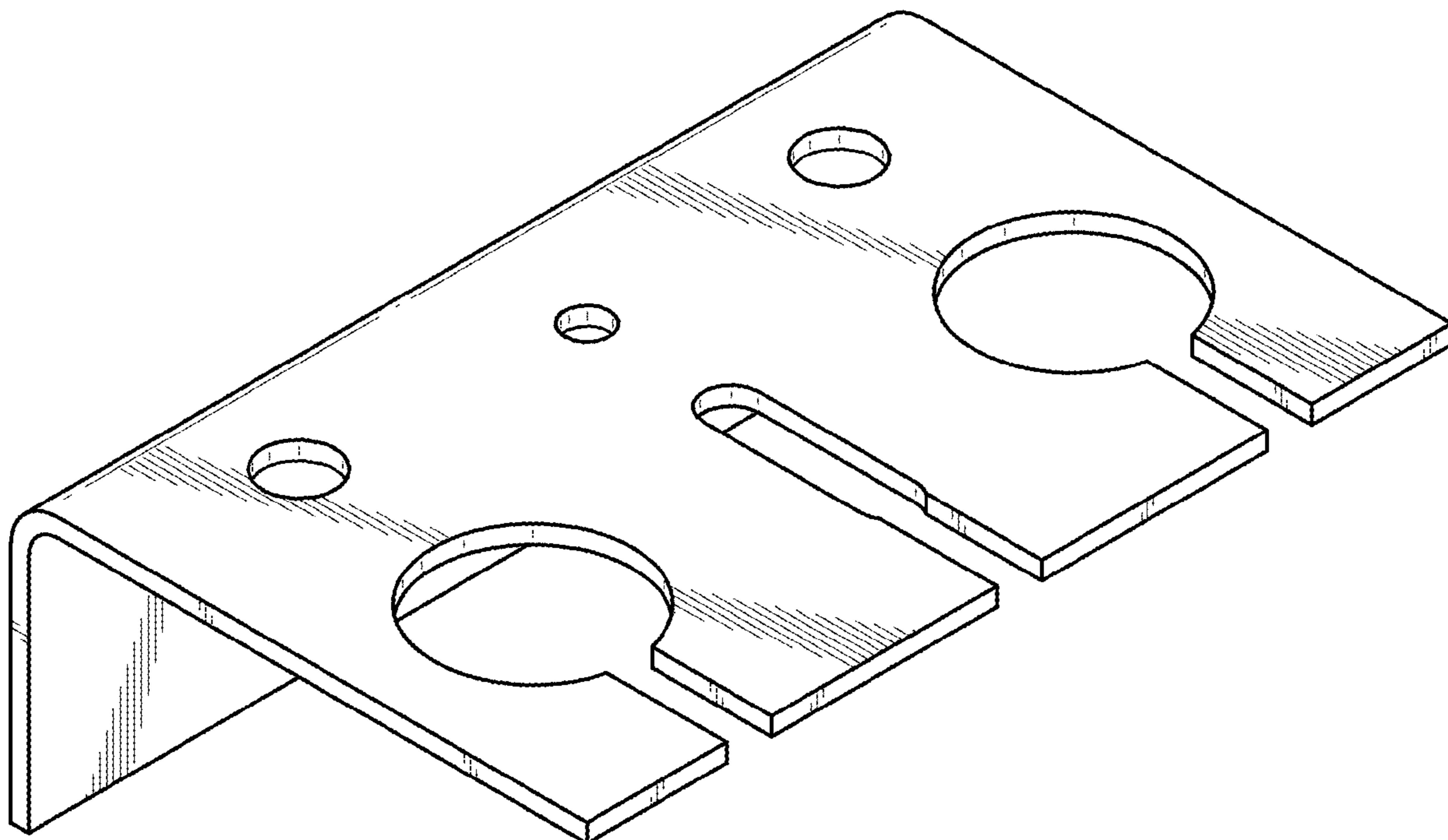
(57) **CLAIM**

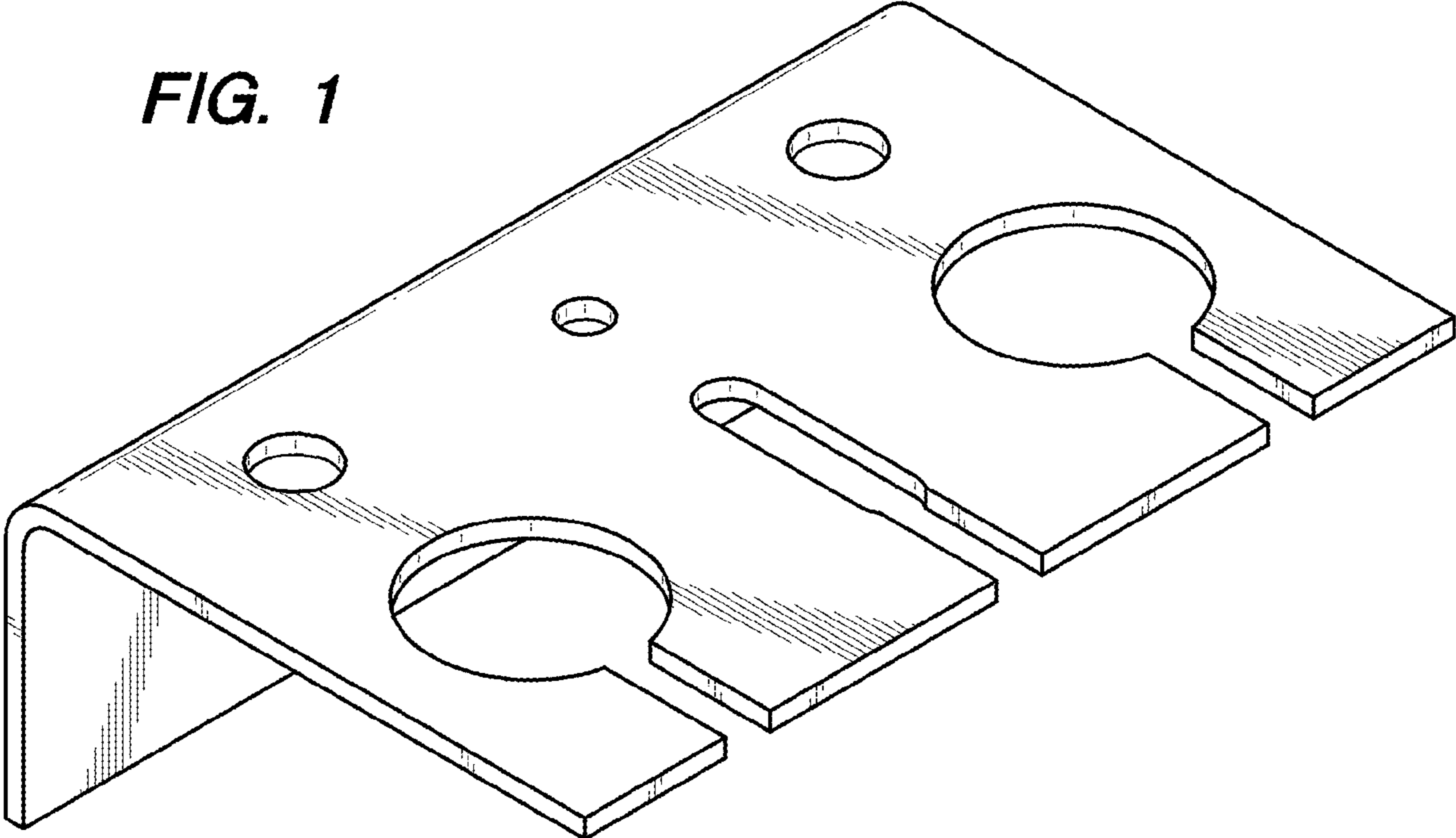
The ornamental design for a receiver for medical apparatus,
as shown and described.

DESCRIPTION

FIG. 1 is a left front perspective view of a receiver for
medical apparatus, showing my new design;
FIG. 2 is a front elevational view, thereof;
FIG. 3 is a side elevational view, thereof, the opposite side
elevational view being a mirror image, thereof;
FIG. 4 is a rear elevational view, thereof;
FIG. 5 is a top plan view, thereof; and,
FIG. 6 is a bottom plan view, thereof.

1 Claim, 4 Drawing Sheets





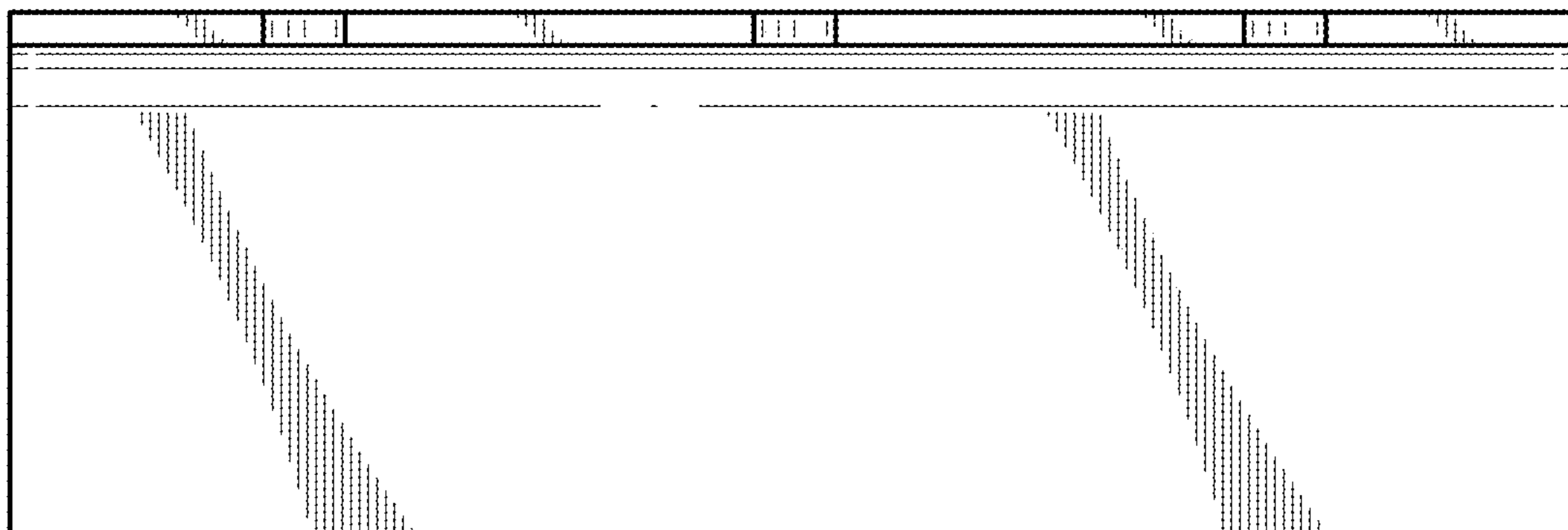


FIG. 2

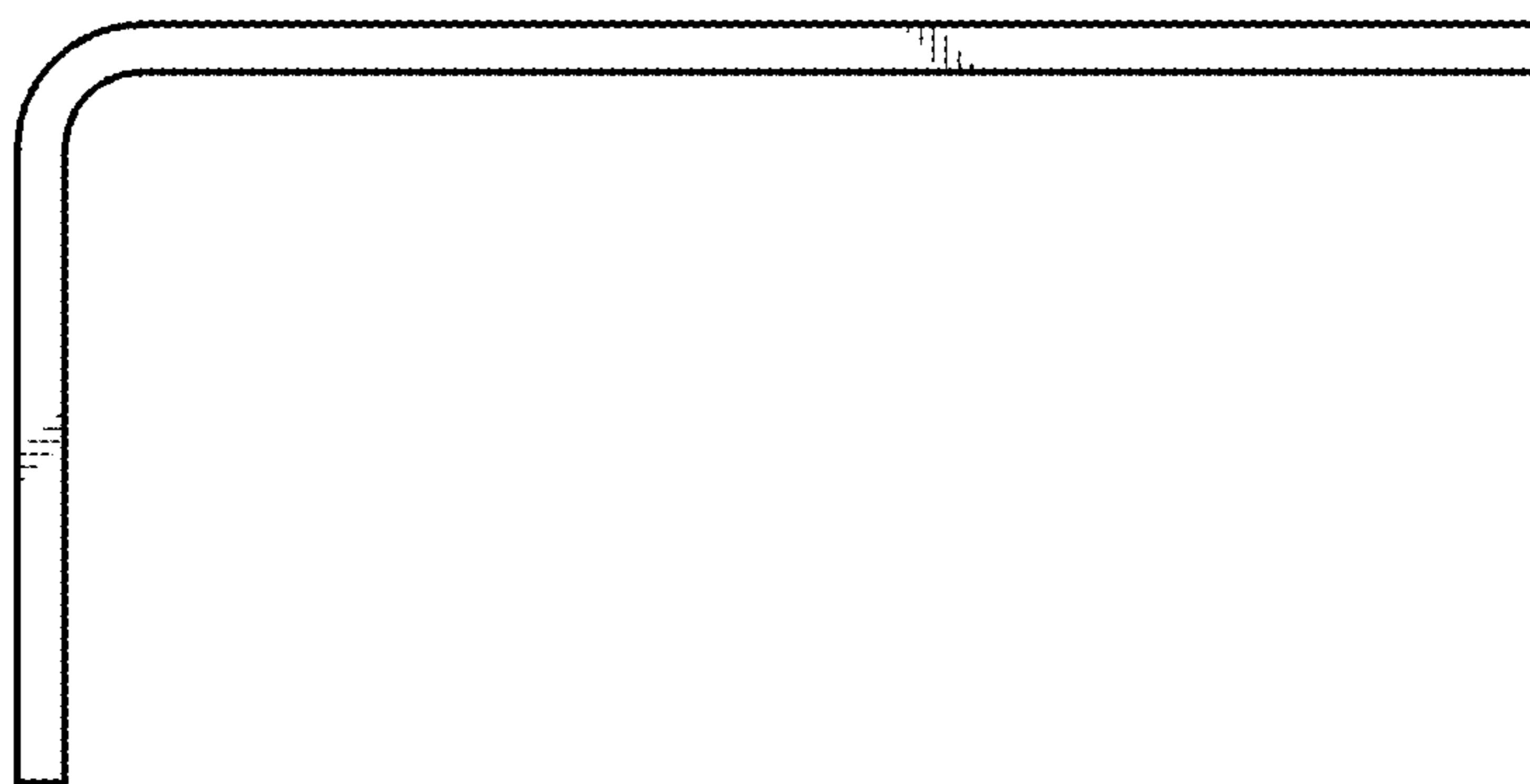


FIG. 3

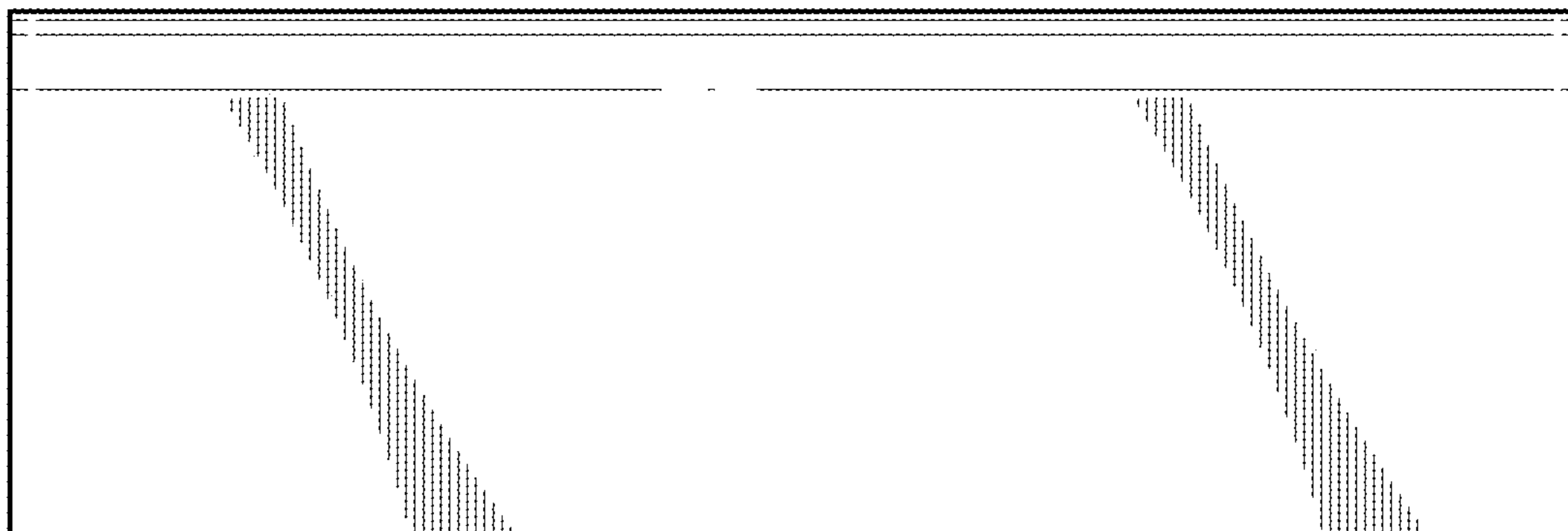


FIG. 4

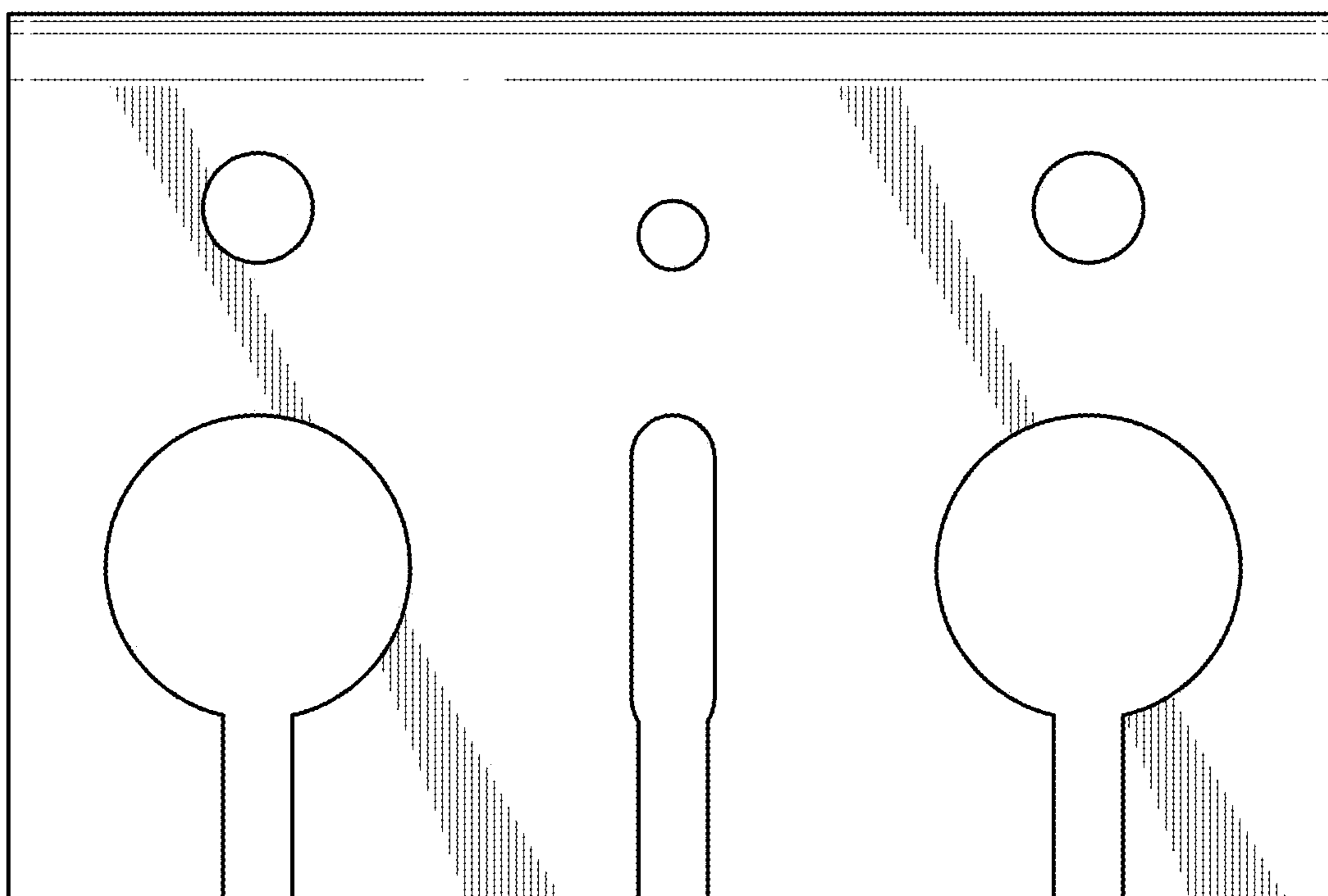


FIG. 5

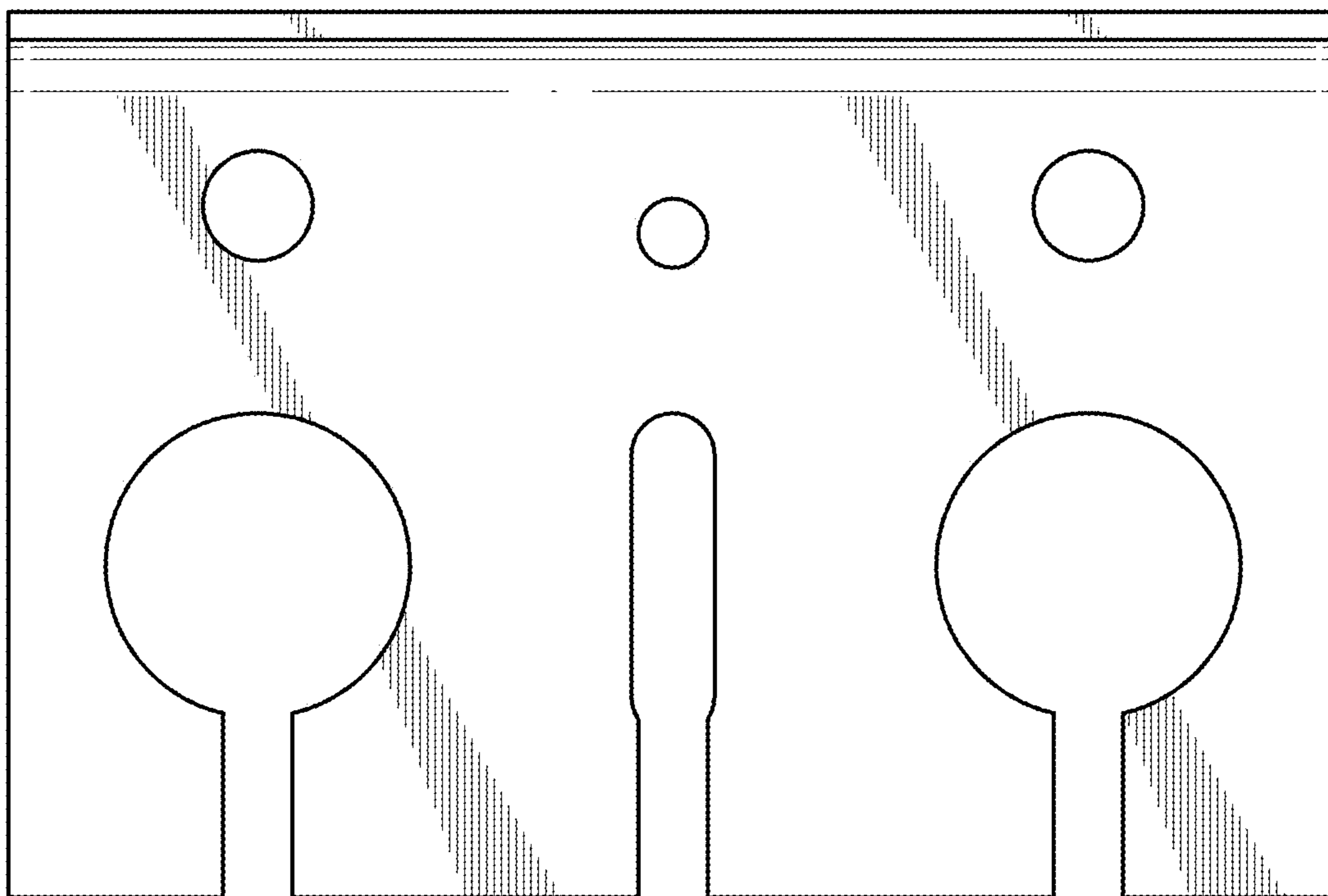


FIG. 6