

US00D896954S

(12) **United States Design Patent**
Khalaj

(10) **Patent No.:** **US D896,954 S**

(45) **Date of Patent:** **** Sep. 22, 2020**

(54) **LIPOSUCTION FAT COLLECTION
CANISTER**

(71) Applicant: **Ben M. Khalaj**, Lake Forest, CA (US)

(72) Inventor: **Ben M. Khalaj**, Lake Forest, CA (US)

(**) Term: **15 Years**

(21) Appl. No.: **29/666,804**

(22) Filed: **Oct. 16, 2018**

(51) **LOC (12) Cl.** **24-04**

(52) **U.S. Cl.**
USPC **D24/121**

(58) **Field of Classification Search**

USPC D24/108, 111, 112, 113, 114, 121, 127,
D24/128, 129, 130, 133, 141, 146, 147,
D24/152, 186, 214, 215
CPC A61B 17/34; A61M 19/00; A61M 1/0001;
A61M 1/0094; A61M 1/0005; A61M
2202/08; A61M 5/31; B08B 3/102; C12M
45/02; C12M 47/04

See application file for complete search history.

(56) **References Cited**

U.S. PATENT DOCUMENTS

D342,141 S *	12/1993	Baxter	D24/224
5,382,244 A *	1/1995	Telang	A61M 1/0013 604/119
D370,263 S *	5/1996	Falkenberg	D24/108
D371,050 S *	6/1996	Pendleton	D7/589
D427,691 S *	7/2000	Asselta	D24/224
D446,122 S *	8/2001	Weinstein	D9/428
D465,120 S *	11/2002	Bouhuys	D7/309
D472,809 S *	4/2003	Gelardi	D9/418
D517,878 S *	3/2006	Van Swieten	D8/14.1
D570,687 S *	6/2008	Kelders	D9/500

D608,885 S *	1/2010	Sneddon	D24/127
D651,322 S *	12/2011	Svard	D24/224
D690,826 S *	10/2013	Kuroda	D24/224
D728,123 S *	4/2015	Cullimore	D24/224
D758,847 S *	6/2016	Stuart	D9/428
D773,683 S *	12/2016	Kuroda	D24/224
D779,277 S *	2/2017	Muller	D7/589
D782,862 S *	4/2017	Runyan	D7/300
D784,772 S *	4/2017	Muller	D7/589
D786,606 S *	5/2017	Bodum	D7/310
D796,886 S *	9/2017	Mangold	D7/309
D797,487 S *	9/2017	Mangold	D7/309
D837,976 S *	1/2019	Kaye	D24/121
D850,279 S *	6/2019	Liu	D9/695
D851,777 S *	6/2019	Barere	D24/216
2008/0215068 A1 *	9/2008	Hart	A61B 17/54 606/131

* cited by examiner

Primary Examiner — Nathan M Johnston

(57) **CLAIM**

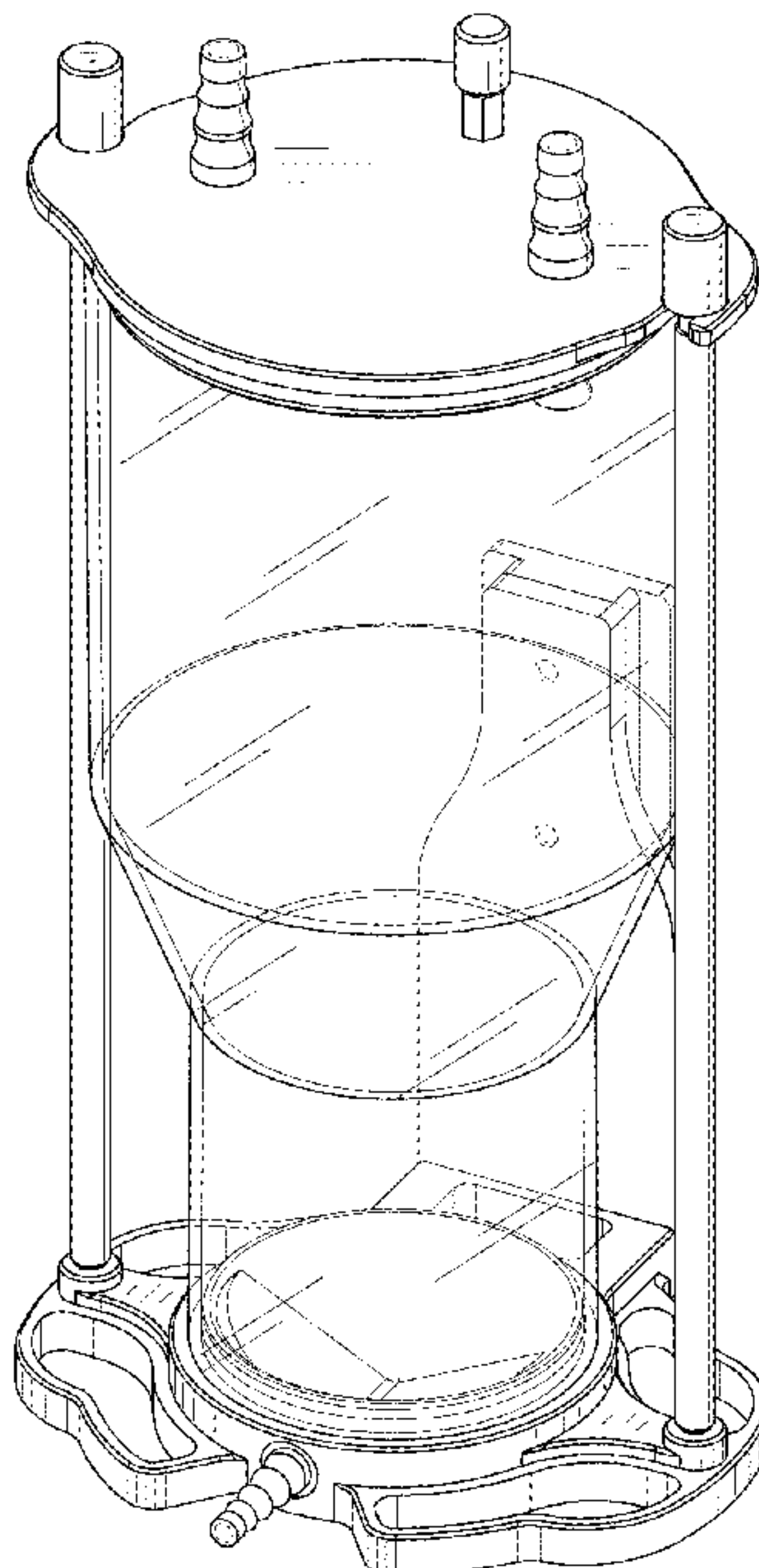
The ornamental design for a liposuction fat collection canister, as shown and described.

DESCRIPTION

FIG. 1 is a front perspective view of a liposuction fat collection canister showing my new design; FIG. 2 is a rear perspective view thereof; FIG. 3 is a right elevation view thereof; FIG. 4 is a front elevation view thereof; FIG. 5 is a left elevation view thereof; FIG. 6 is a rear elevation view thereof; FIG. 7 is a top plan view thereof; and, FIG. 8 is a bottom elevation view thereof.

The broken lines show portions of the design that form no part of the claimed design.

1 Claim, 7 Drawing Sheets



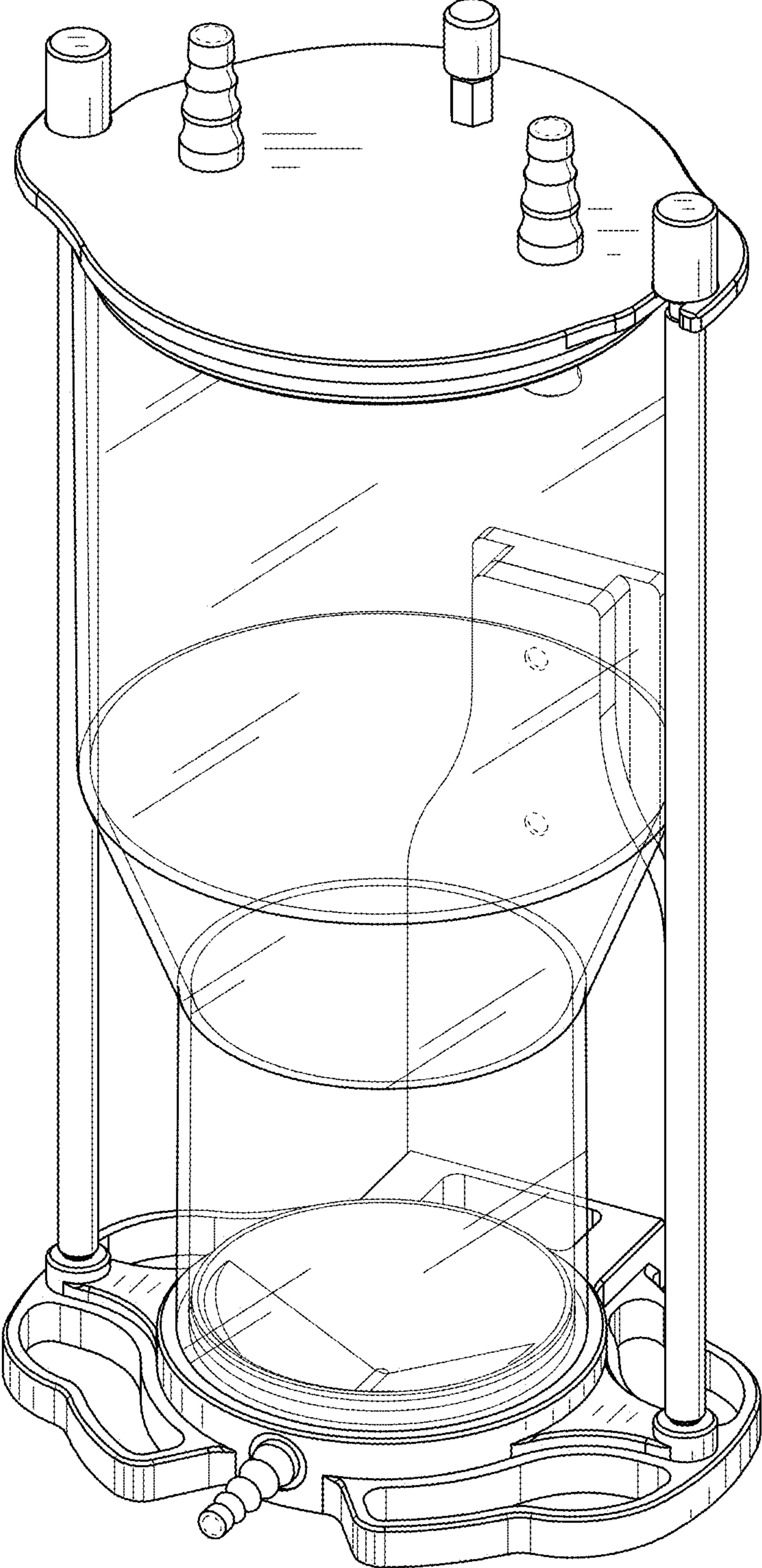


FIG. 1

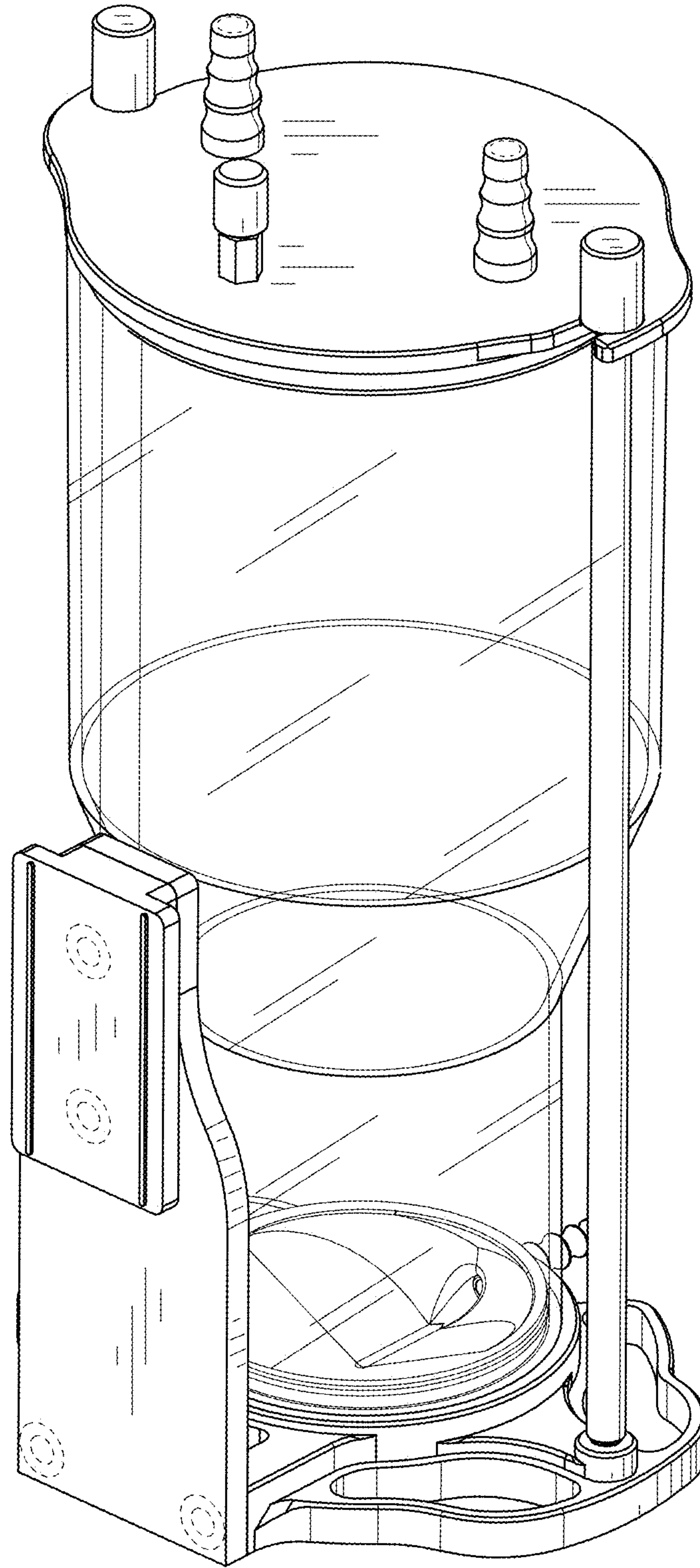


FIG. 2

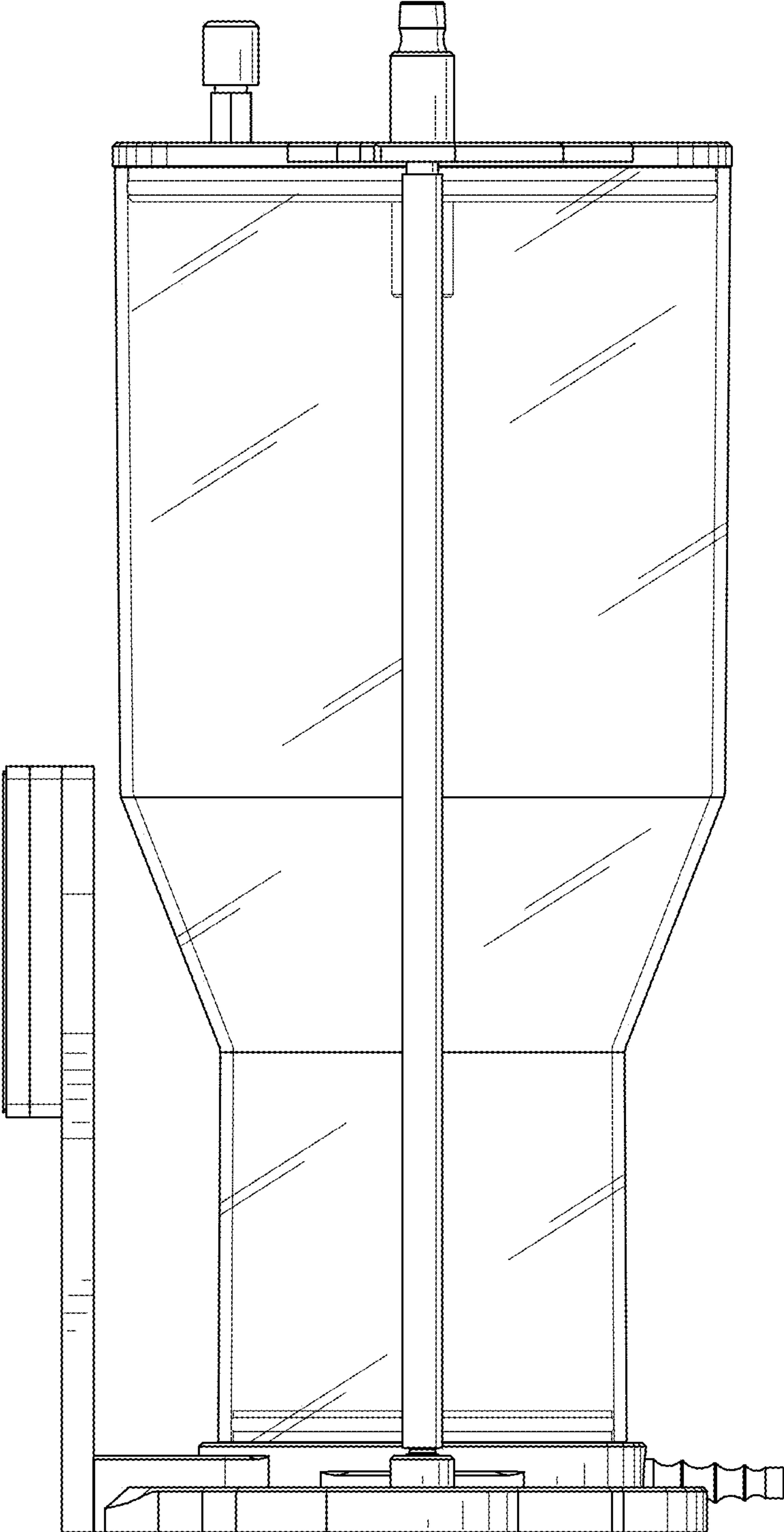


FIG. 3

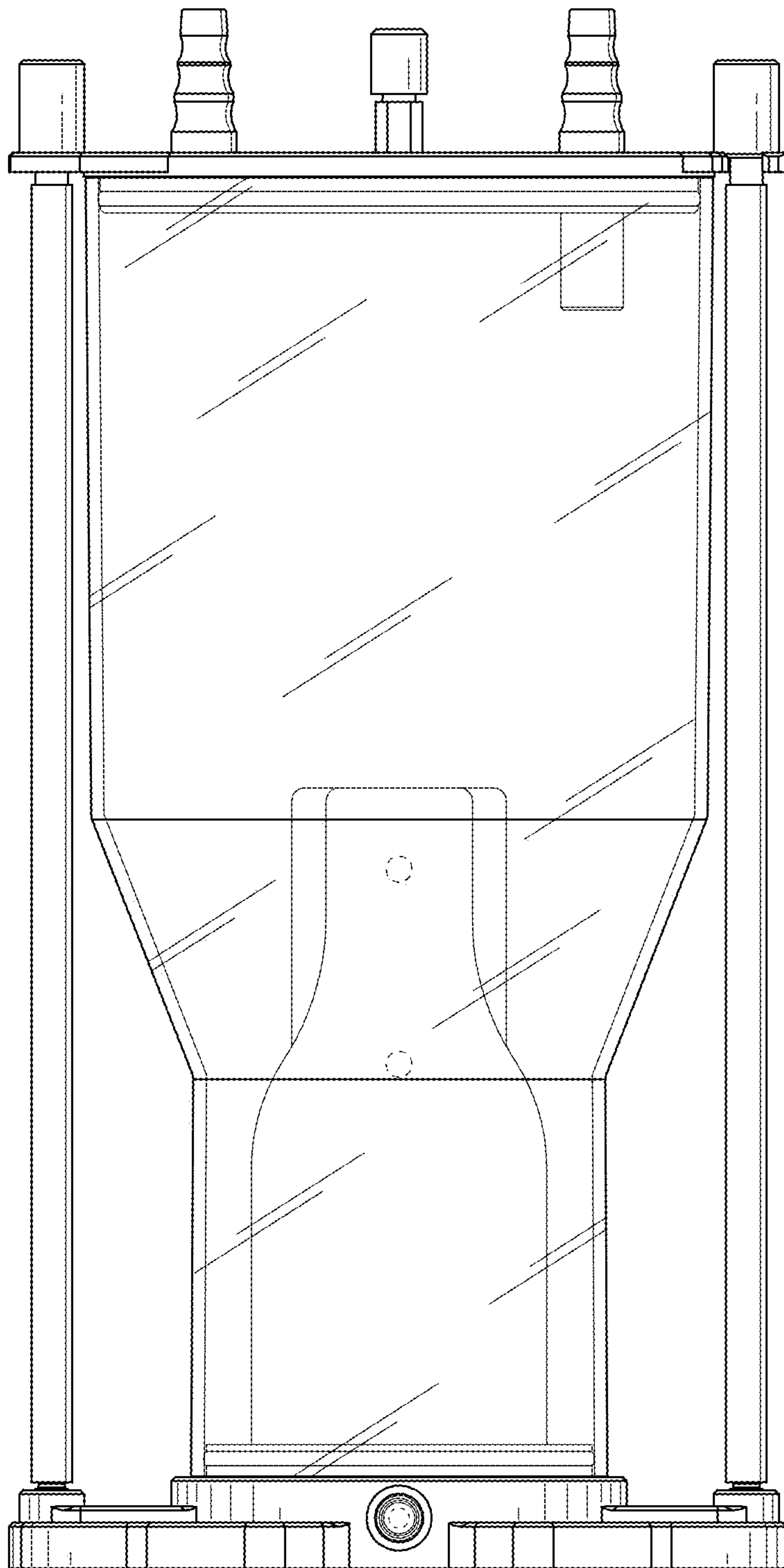


FIG. 4

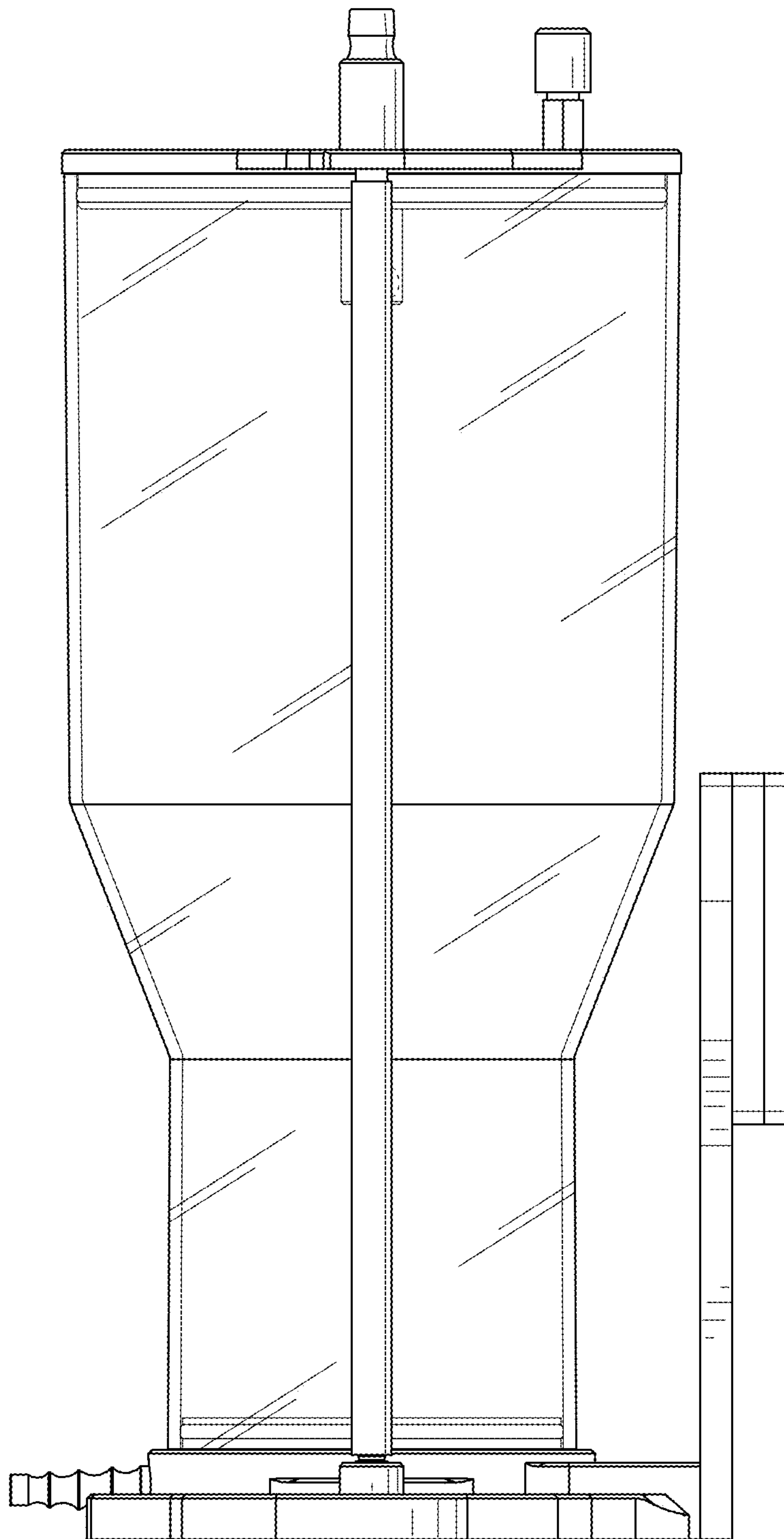


FIG. 5

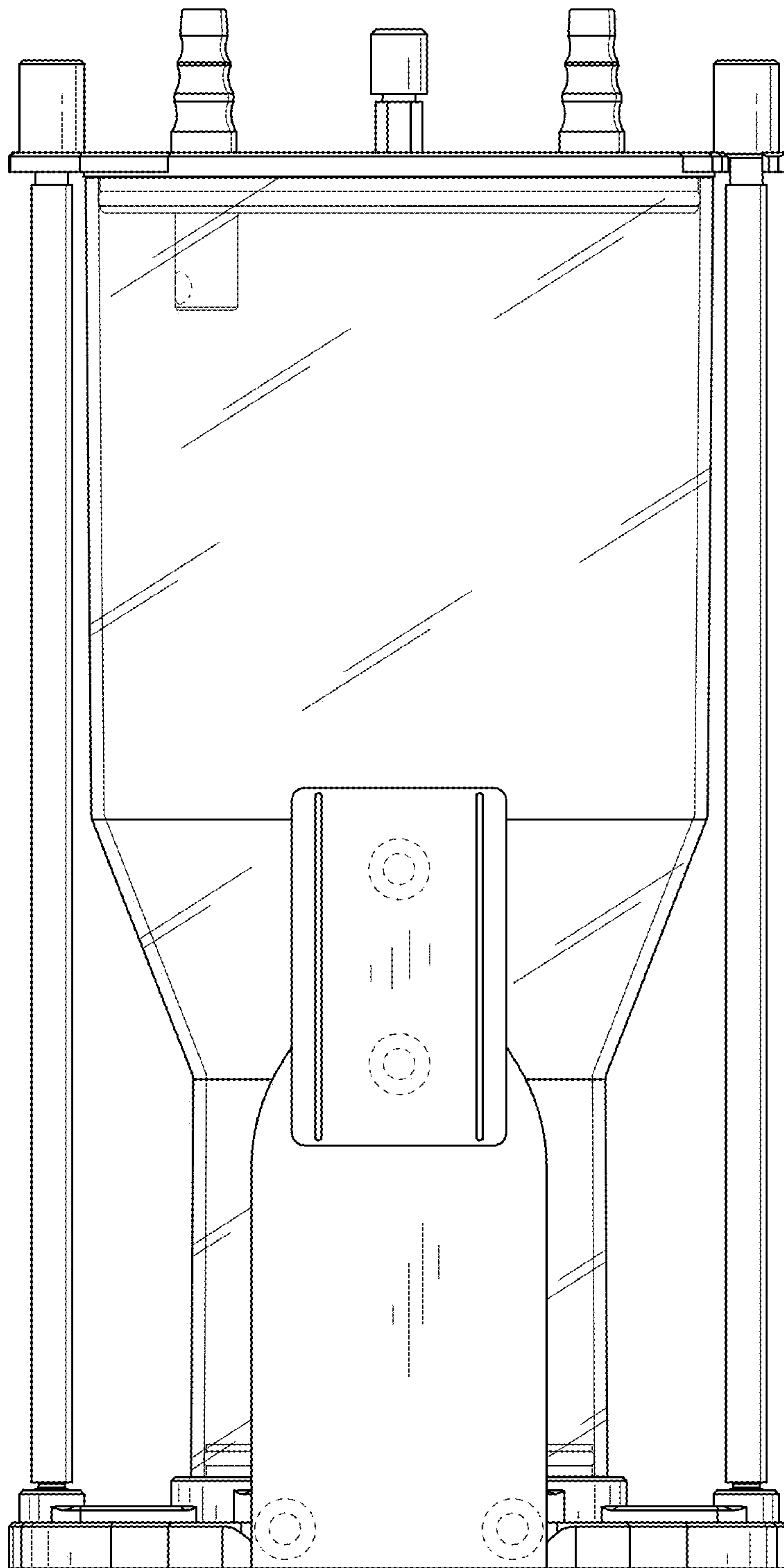


FIG. 6

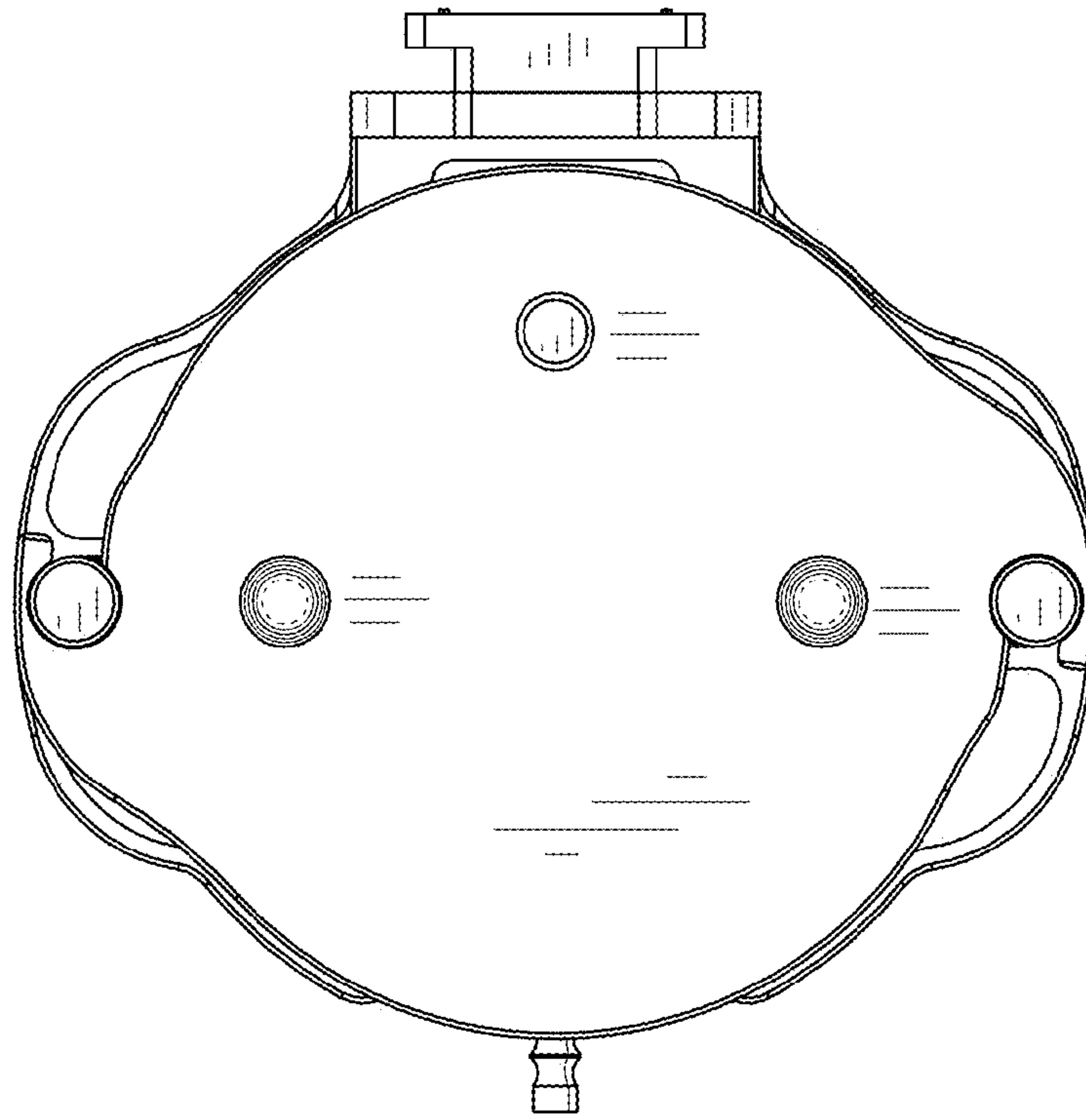


FIG. 7

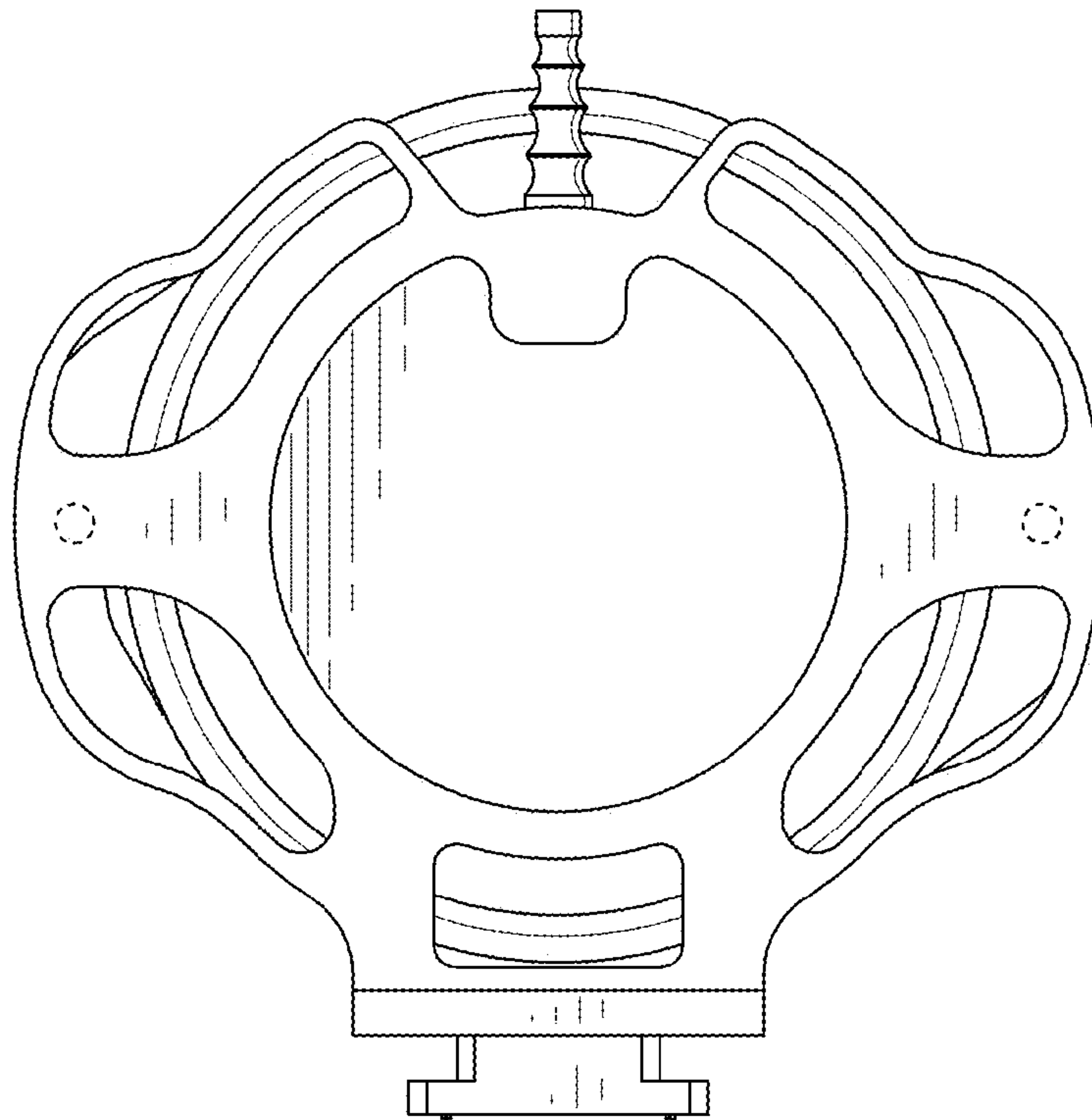


FIG. 8